



ASPC Project



END CUSTOMER	: Arya Sasol Polymer Company
CONTRACTOR	: DYPNF Co., Ltd.
VENDOR NAME	: Airpack Netherlands BV
EQUIPMENT DESCRIPTION	: Screw Compressor & Roots Blower : Package
PURCHASE ORDER NUMBER	: PO-PC2312-08

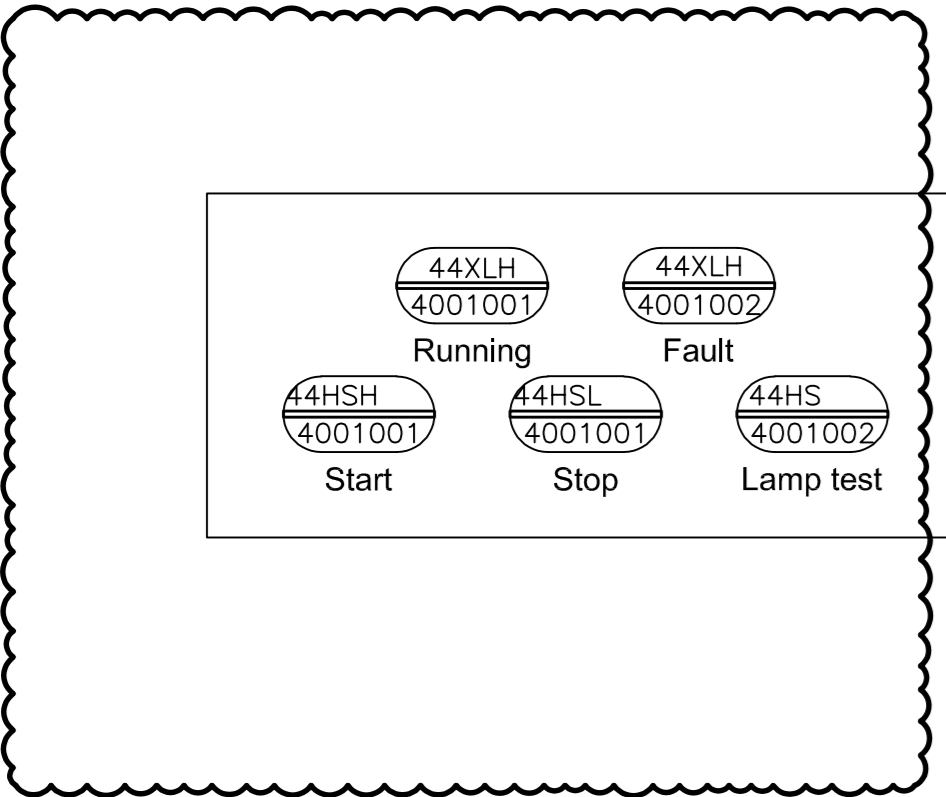
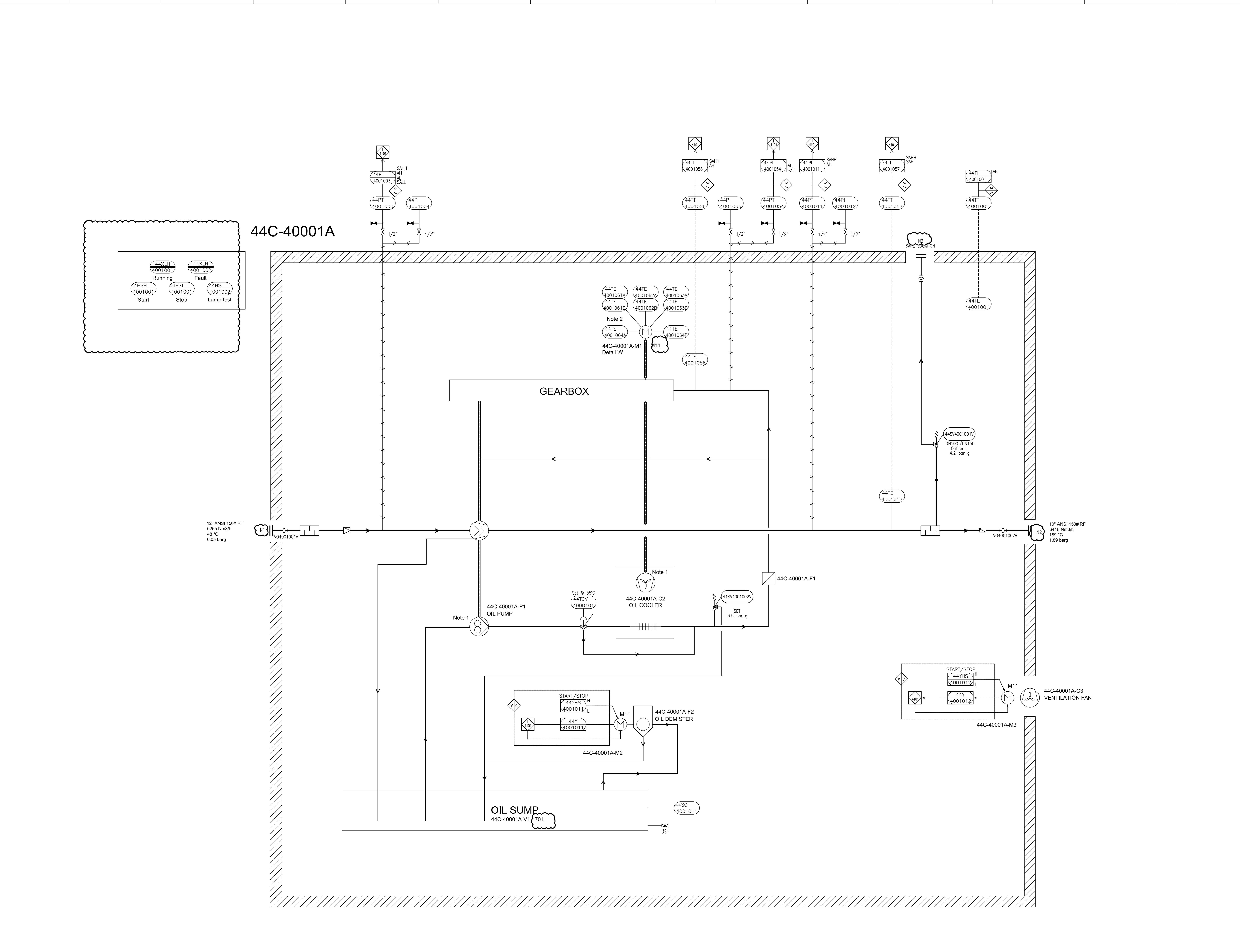
Customer Document : 3944-VD-0171-DYP-RE-400-PID-0016
Number

Airpack Document Number : 23383-03

Document Title : Piping & Instrument Diagram (incl. legend)

Review Code and Status		Contractor Initials/Signature	Date signed
<input type="checkbox"/>	Code 1 REJECTED - Vendor to revise and Resubmit. Work cannot proceed		
<input type="checkbox"/>	Code 2 Comments As Noted - Work May proceed, subject to compliance with and incorporation of comments		
<input type="checkbox"/>	Code 3 No Comments - Work may proceed.		
<input type="checkbox"/>	Code 4 Information only - Review not required.		

08	Issued for Approval	04-02-2026	SC	KP	JJ
07	Issued for Approval	26-11-2025	SC	KP	JJ
06	Issued for Approval	10-09-2025	SC	KP	JJ
05	Issued for Approval	02-07-2025	SC	KP	JJ
Rev. No.	Description	Date	Prepared by	Checked by	Approved by



44C-40001A

12" ANSI 150# RF
6255 Nm³/h
48 °C
0.05 barg

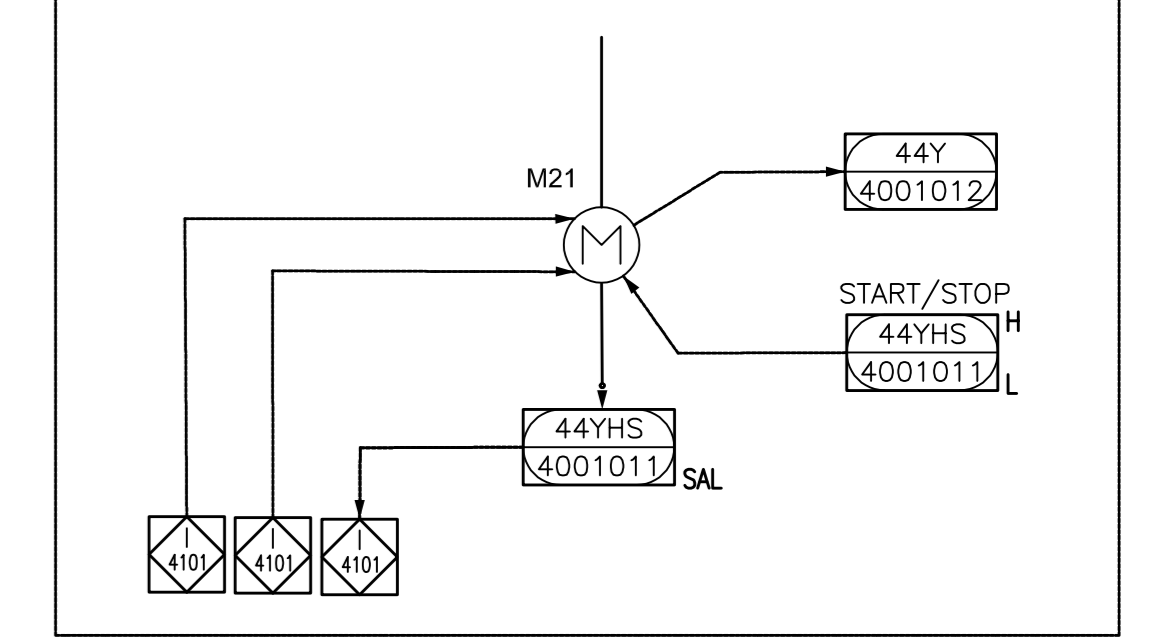
10" ANSI 150# RF
6416 Nm³/h
188 °C
1.89 barg

GENERAL NOTES

- 1 Driven by compressor shaft
- 2 Six times winding temperature sensors, Two times bearing temperature sensors to MCC

LEGEND

DETAIL



REV.	DATE	PURPOSE OF ISSUE (P.O.I.)	PREP.	CHKD.	APPR.
08	03/Feb/26	ISSUE FOR APPROVAL	SC	KP	JJ
07	26/Nov/25	ISSUE FOR APPROVAL	SC	KP	JJ
06	10/Sep/25	ISSUE FOR APPROVAL	SC	KP	JJ
05	02/Jul/25	ISSUE FOR APPROVAL	SC	KP	JJ
04	20/Jun/25	ISSUE FOR APPROVAL	SC	KP	JJ
03	25/Apr/25	ISSUE FOR APPROVAL	SC	KP	JJ
02	08/Apr/25	ISSUE FOR APPROVAL	SC	KP	JJ
01	27/Feb/25	ISSUE FOR APPROVAL	SC	KP	JJ
00	11/Feb/25	ISSUE FOR APPROVAL	SC	KP	JJ



PROJECT:
300 KT POLYETHYLENE PLANT
ARYA SASOL POLYMER COMPANY (ASPC)

MC:
ISEDCO
شرکت عمران و صنعت

CONTRACTOR:
SAZEH CONSULTANTS
SAZEH POLYMER
VENDOR:
DYPNF

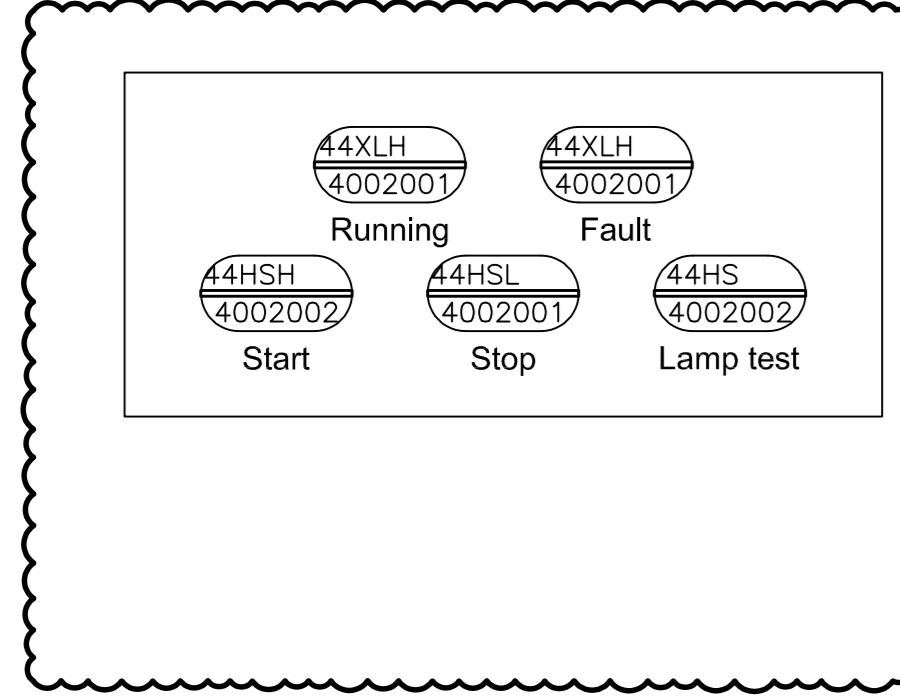
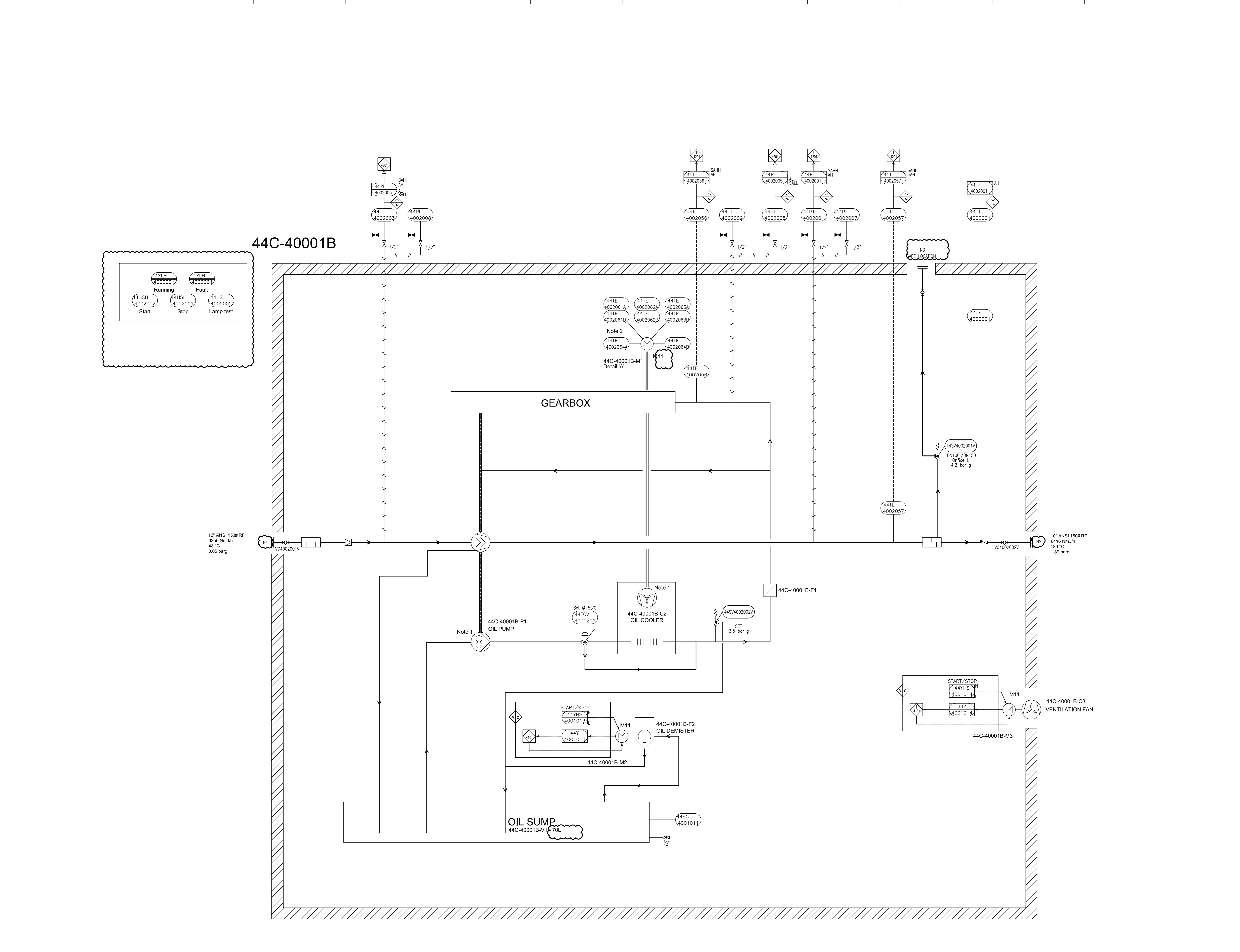
DRAWING TITLE:
PIPING & INSTRUMENTATION DIAGRAM
PNEUMATIC CONVEYING SYSTEM 44C-40001A

OWNER PROJECT NO.	VENDOR DWG.	MR NO.	VENDOR CODE	DISCIPLINE	UNIT	TYPE	SEQ.
3944	VD	0171	DYP	RE	400	PID	0016

SCALE: NONE SIZE: A0 SHEET NO. 4 OF 14 REV. 07

ITEM	44C-40001A	44C-40001A-M1	44C-40001A-P	44C-40001A-F2	44C-40001A-C3
DESCRIPTION	Blower	Main Motor	Oil Pump	Oil Demister	Enclosure Fan
TECHNICAL DATA	Outlet Capacity: 6416 Nm ³ /h Inlet/Outlet Pressure: 0.05/1.89 Barg Inlet/Outlet Temp: 48/188 °C Gas: Nitrogen Guaranteed capacity: 6255 Nm ³ /hr	Rated Power: 440 kW Speed: 2988 rpm Power Supply: 6kV / 50Hz / 3ph	Rated Power: - (Shaft driven) Type: Gear pump	Rated Power: 0.37 kW Type: Cyclone Power Supply: 230V / 50Hz / 1Ph	Rated Power: 3 kW Type: Forced Draft

THIS DOCUMENT WITH ALL ITS RIGHTS IS THE PROPERTY OF A.S.P.C. AND MUST BE HELD IN CONFIDENCE. NO DISCLOSURE, REPRODUCTION OR OTHER USE OF THE DOCUMENT IN WHOLE OR A PORTIONS TO BE MADE WITHOUT THE PRIOR CONSENT OF A.S.P.C.

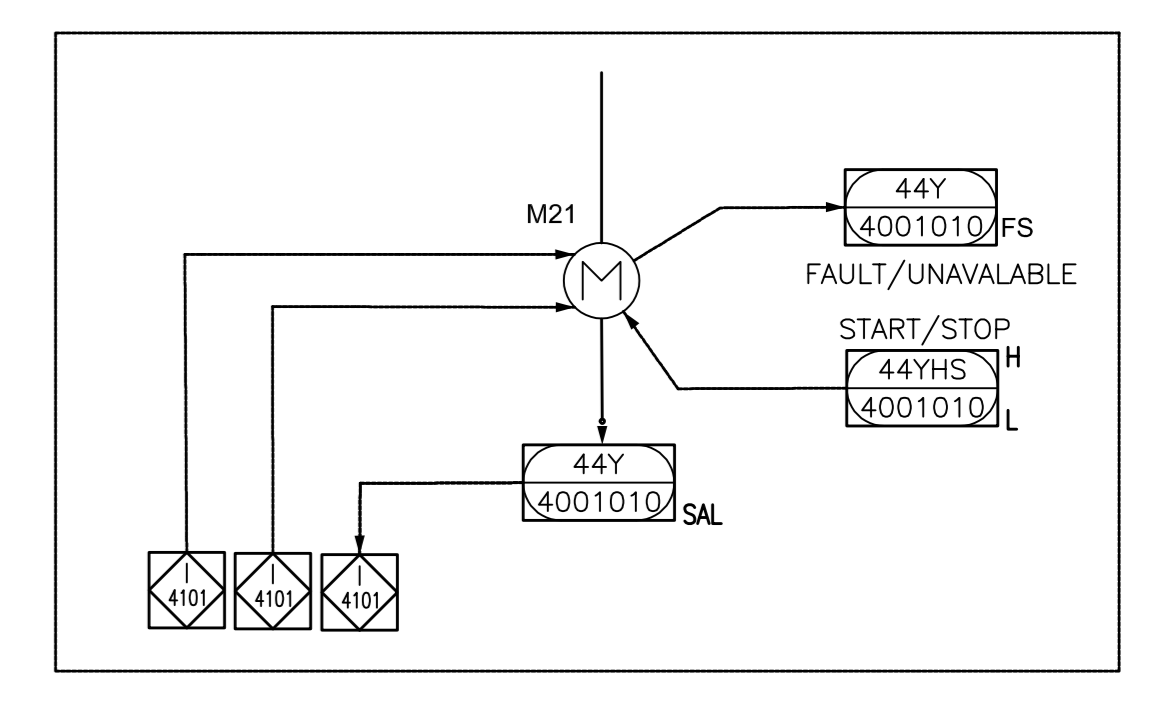


GENERAL NOTES

- 1 Driven by compressor shaft
- 2 Six times winding temperature sensors, Two times bearing temperature sensors to MCC

LEGEND

DETAIL



REV.	DATE	PURPOSE OF ISSUE (P.O.I.)	PREP.	CHKD.	APPR.
08	03/Feb/26	ISSUE FOR APPROVAL	SC	KP	JJ
07	26/Nov/25	ISSUE FOR APPROVAL	SC	KP	JJ
06	10/Sep/25	ISSUE FOR APPROVAL	SC	KP	JJ
05	02/Jul/25	ISSUE FOR APPROVAL	SC	KP	JJ
04	20/Jun/25	ISSUE FOR APPROVAL	SC	KP	JJ
03	25/Apr/25	ISSUE FOR APPROVAL	SC	KP	JJ
02	08/Apr/25	ISSUE FOR APPROVAL	SC	KP	JJ
01	27/Feb/25	ISSUE FOR APPROVAL	SC	KP	JJ
00	11/Feb/25	ISSUE FOR APPROVAL	SC	KP	JJ



PROJECT:
300 KT POLYETHYLENE PLANT
ARYA SASOL POLYMER COMPANY (ASPC)

MC:
ISEDCO
شرکت مهندسی عمران و معماری

CONTRACTOR:
SAZEH CONSULTANTS

VENDOR:
DYPNF

DRAWING TITLE:
PIPING & INSTRUMENTATION DIAGRAM
PNEUMATIC CONVEYING SYSTEM 44C-40001B

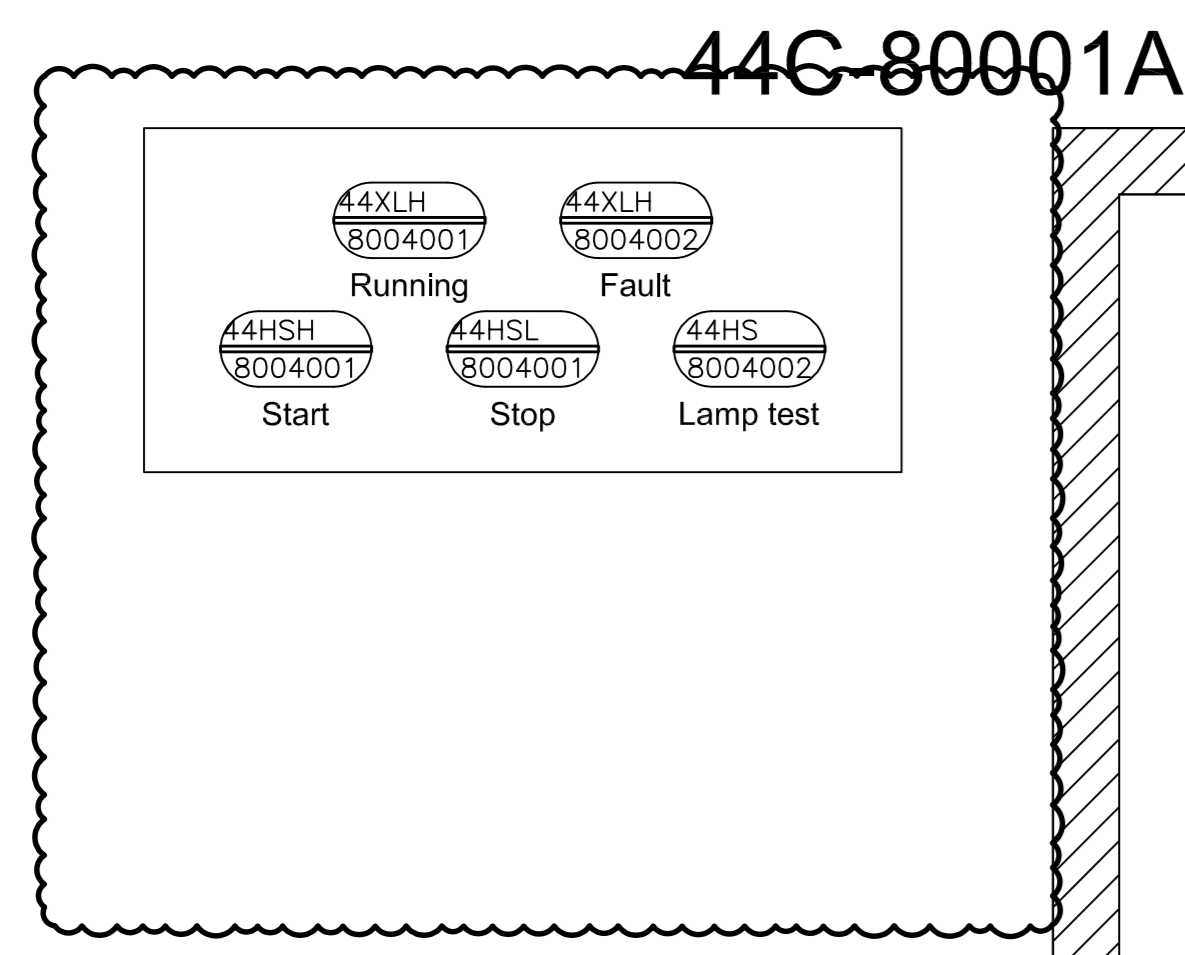
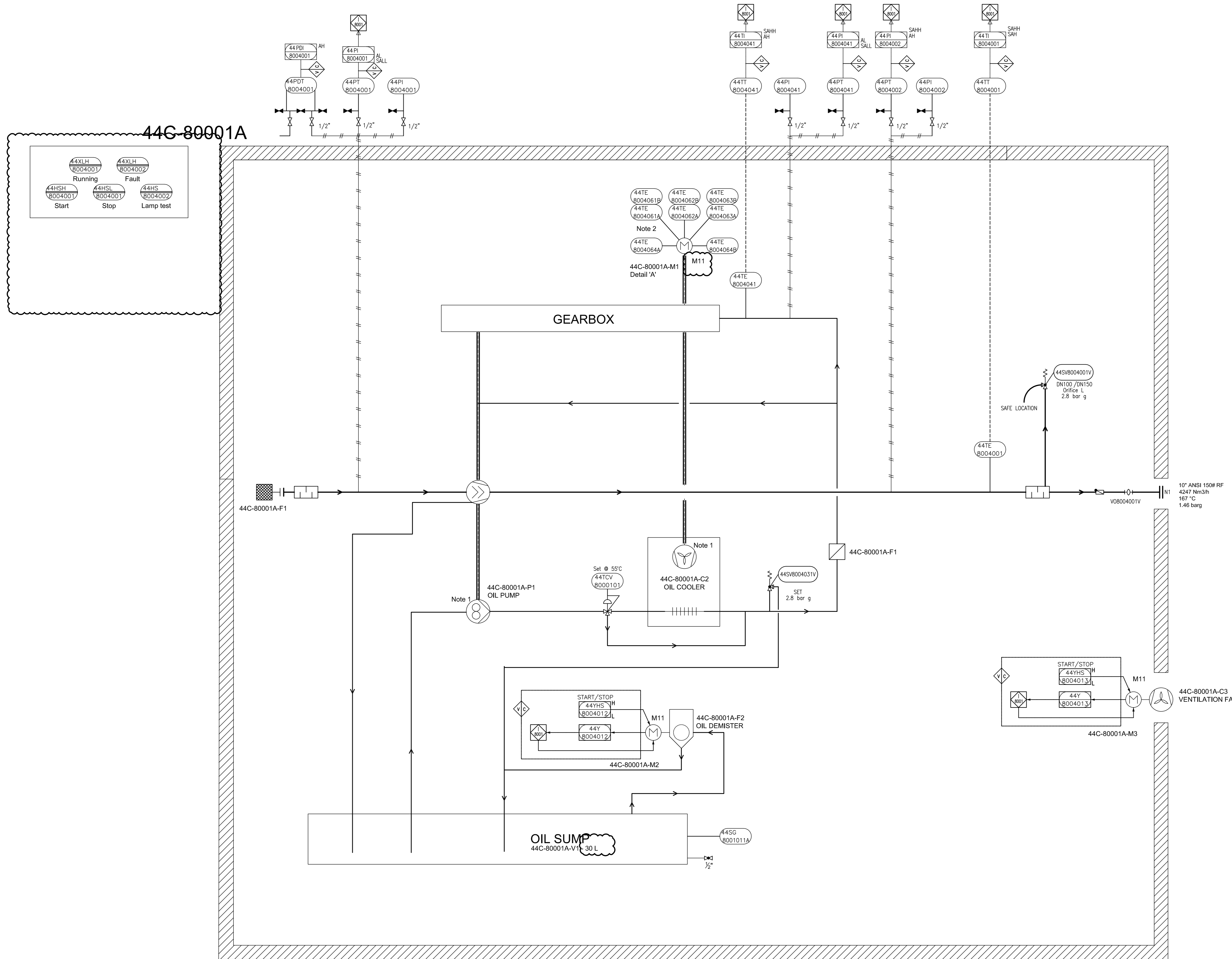
OWNER PROJECT NO.	VENDOR DWG.	MR NO.	VENDOR CODE	DISCIPLINE	UNIT	TYPE	SEQ.
3944	VD	0171	DYP	RE	400	PID	0016

OWNER DOC. NO.

SCALE:	SIZE:	SHEET NO.	OF	REV.
NONE	A0	5	14	06

ITEM	44C-40001B	44C-40001B-M1	44C-40001B-P	44C-40001B-F2	44C-40001B-C3
DESCRIPTION	Blower	Main Motor	Oil Pump	Oil Demister	Enclosure Fan
TECHNICAL DATA	Outlet Capacity: 6416 Nm ³ /h Inlet/Outlet Pressure: 0.05/1.89 Barg Inlet/Outlet Temp: 48/189 °C Gas: Nitrogen Guaranteed capacity: 6255 Nm ³ /hr	Rated Power: 440 kW Speed: 2988 rpm Power Supply: 6kV / 50Hz / 3ph	Rated Power: - (Shaft driver) Type: Gear pump	Rated Power: 0.37 kW Type: Cyclone Power Supply: 230V / 50Hz / 1Ph	Rated Power: 3 kW Type: Forced Draft

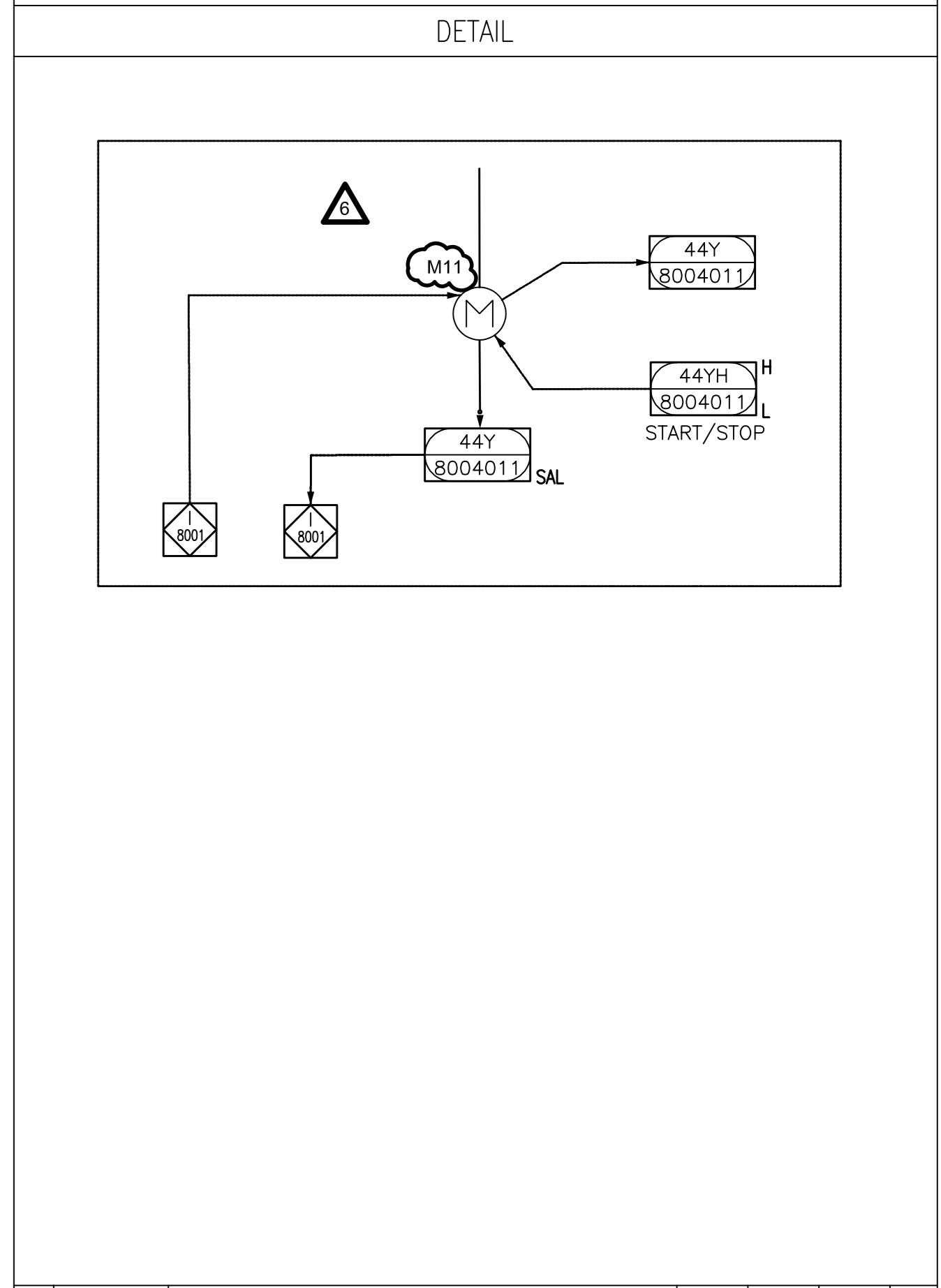
THIS DOCUMENT WITH ALL ITS RIGHTS IS THE PROPERTY OF A.S.P.C. AND MUST BE HELD IN CONFIDENCE. NO DISCLOSURE, REPRODUCTION OR OTHER USE OF THE DOCUMENT IN WHOLE OR A PORTION IS TO BE MADE WITHOUT THE PRIOR CONSENT OF A.S.P.C.



GENERAL NOTES

- 1 Driven by compressor shaft
- 2 Six times winding temperature sensors, Two times bearing temperature sensors to MCC

LEGEND



REV.	DATE	PURPOSE OF ISSUE (P.O.I.)	PREP.	CHKD.	APPR.
08	03/Feb/26	ISSUE FOR APPROVAL	SC	KP	JJ
07	26/Nov/25	ISSUE FOR APPROVAL	SC	KP	JJ
06	10/Sep/25	ISSUE FOR APPROVAL	SC	KP	JJ
05	02/Jul/25	ISSUE FOR APPROVAL	SC	KP	JJ
04	20/Jun/25	ISSUE FOR APPROVAL	SC	KP	JJ
03	25/Apr/25	ISSUE FOR APPROVAL	SC	KP	JJ
02	08/Apr/25	ISSUE FOR APPROVAL	SC	KP	JJ
01	27/Feb/25	ISSUE FOR APPROVAL	SC	KP	JJ
00	11/Feb/25	ISSUE FOR APPROVAL	SC	KP	JJ

OWNER:
ARYA SASOL POLYMER COMPANY
 (شركت پليمر آريا ساسول)

PROJECT:
300 KT POLYETHYLENE PLANT
ARYA SASOL POLYMER COMPANY (ASPC)

MCC:
ISEDCO
 (شرکت عمران و ساخت و ساز)

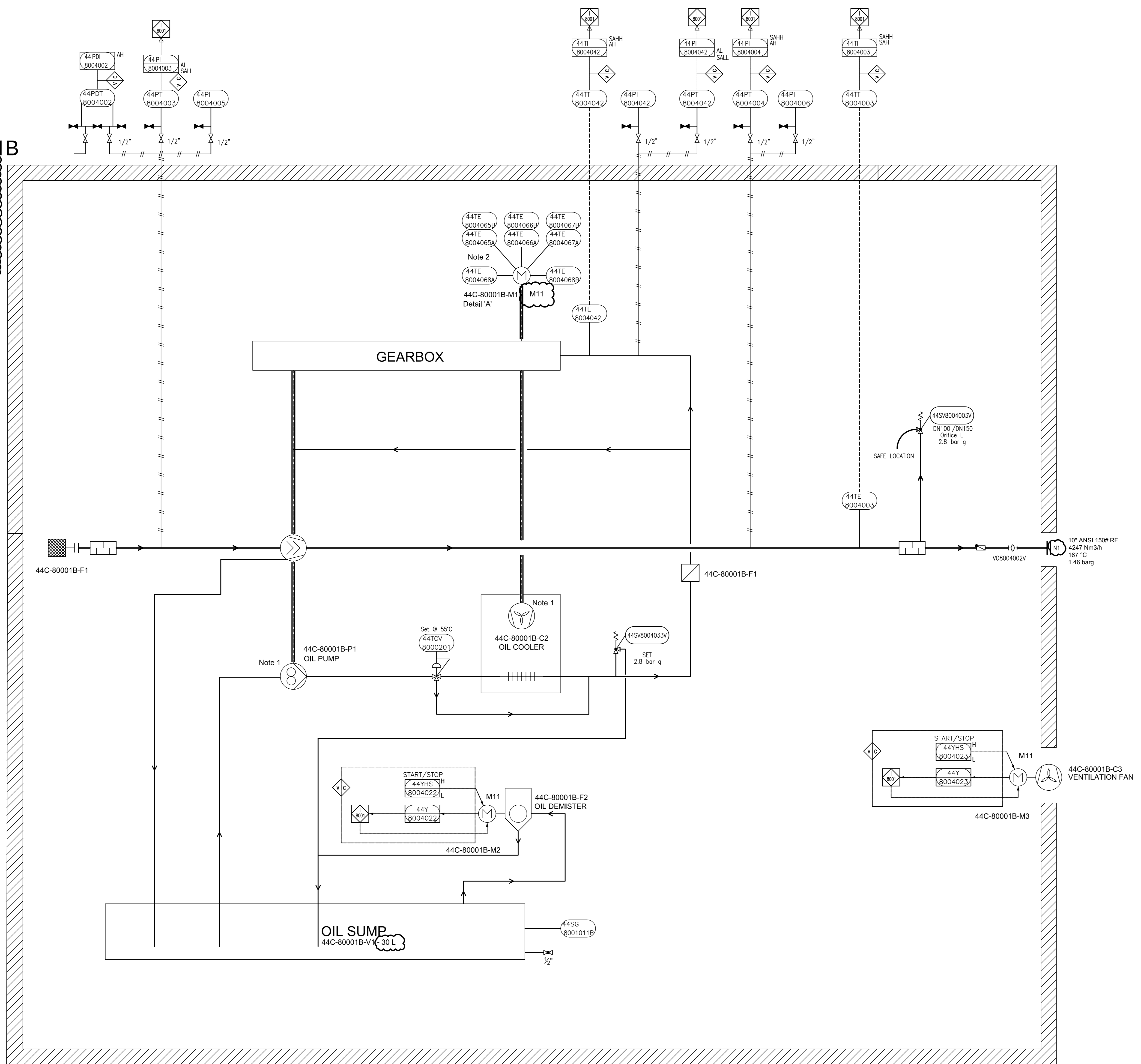
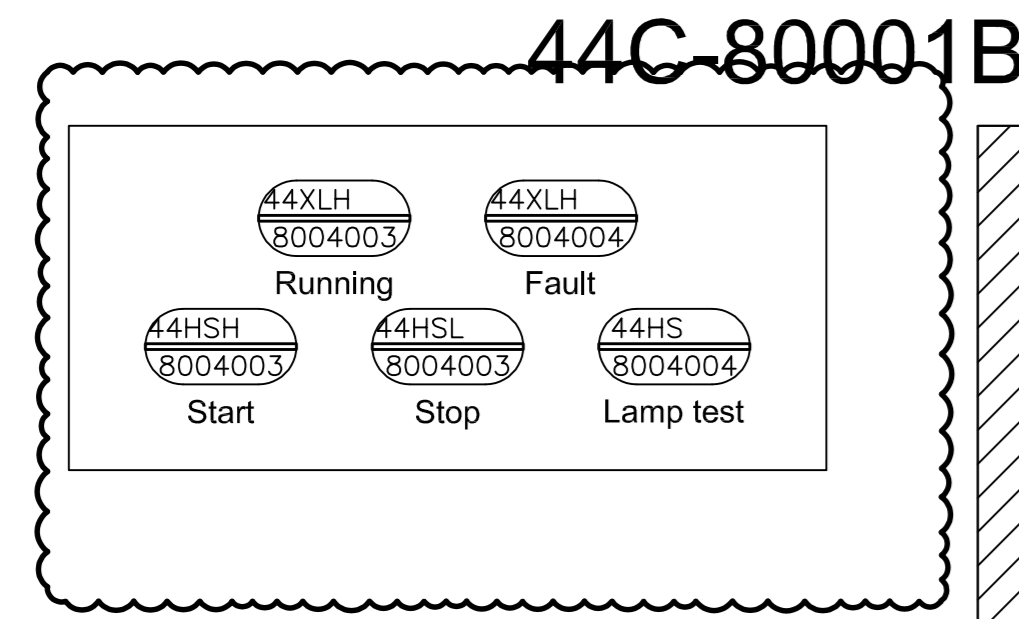
CONTRACTOR:
SAZEH CONSULTANTS

VENDOR:
DYPNF

DRAWING TITLE:
PIPING & INSTRUMENTATION DIAGRAM
PNEUMATIC CONVEYING SYSTEM 44C-80001A

OWNER DOC. NO.						
OWNER PROJECT NO.	VENDOR DWG.	MR NO.	VENDOR CODE	DISCIPLINE	UNIT TYPE	SEQ.
3944	VD	0180	DYP	RE	800 PID	0016
SCALE: NONE	SIZE: A0	SHEET NO. 6	OF 14	REV. 07		

ITEM	44C-80001A	44C-80001A-M1	44C-80001A-P	44C-80001A-F2	44C-80001A-C3
DESCRIPTION	Blower	Main Motor	Oil Pump	Oil Demister	Enclosure Fan
TECHNICAL DATA	Outlet Capacity: 4247 Nm ³ /h Inlet/Outlet Pressure: 0/1.46 Barg Inlet/Outlet Temp: 48/167 °C Gas: Air Guaranteed capacity: 4175 Nm ³ /h	Rated Power: 250 kW Speed: 2980 rpm Power Supply: 6kV / 50Hz / 3ph	Rated Power: - (Shaft driven) Type: Gear pump	Rated Power: 0.37 kW Type: Cyclone Power Supply: 230V / 50Hz / 1Ph	Rated Power: 3 kW Type: Forced Draft

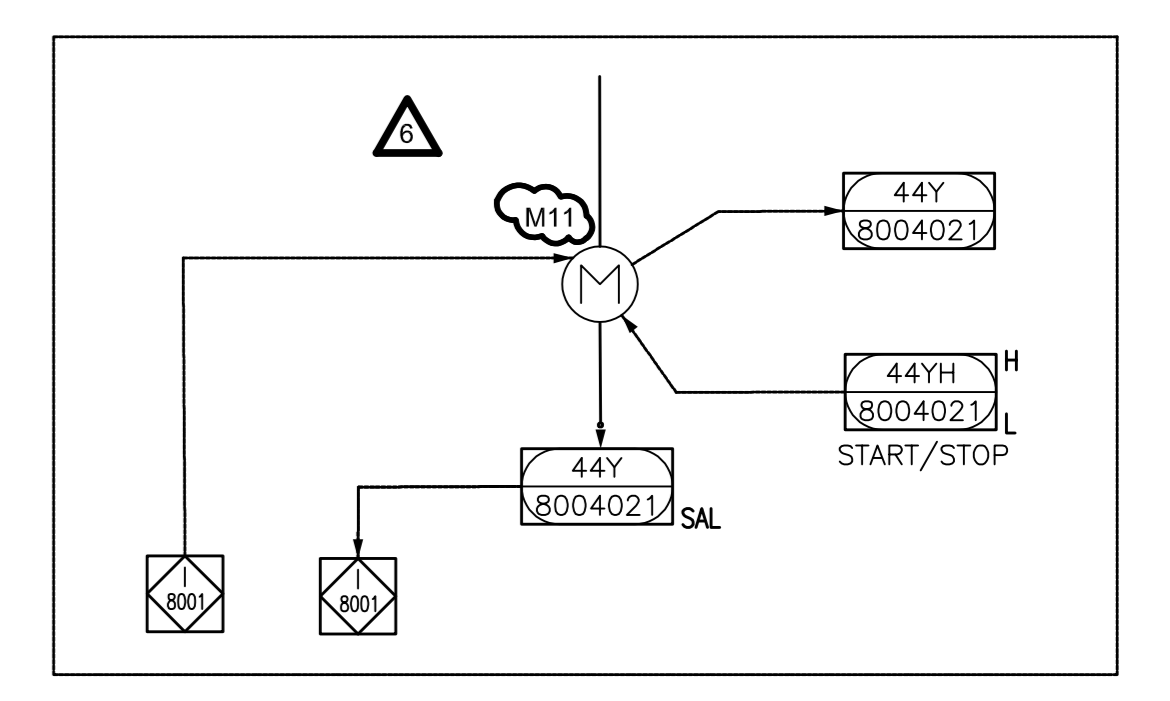


GENERAL NOTES

- 1 Driven by compressor shaft
- 2 Six times winding temperature sensors, Two times bearing temperature sensors to MCC

LEGEND

DETAIL



REV.	DATE	PURPOSE OF ISSUE (P.O.I.)	PREP.	CHKD.	APPR.
08	03/Feb/26	ISSUE FOR APPROVAL	SC	KP	JJ
07	26/Nov/25	ISSUE FOR APPROVAL	SC	KP	JJ
06	10/Sep/25	ISSUE FOR APPROVAL	SC	KP	JJ
05	02/Jul/25	ISSUE FOR APPROVAL	SC	KP	JJ
04	20/Jun/25	ISSUE FOR APPROVAL	SC	KP	JJ
03	25/Apr/25	ISSUE FOR APPROVAL	SC	KP	JJ
02	08/Apr/25	ISSUE FOR APPROVAL	SC	KP	JJ
01	27/Jan/25	ISSUE FOR APPROVAL	SC	KP	JJ
00	11/Feb/25	ISSUE FOR APPROVAL	SC	KP	JJ

OWNER:

PROJECT:
 300 KT POLYETHYLENE PLANT
 ARYA SASOL POLYMER COMPANY (ASPC)

MC:

CONTRACTOR:

VENDOR:

DRAWING TITLE:
 PIPING & INSTRUMENTATION DIAGRAM
 PNEUMATIC CONVEYING SYSTEM 44C-80001B

OWNER DOC. NO.

OWNER PROJECT NO.	VENDOR DWG.	MR NO.	VENDOR CODE	DISCIPLINE	UNIT	TYPE	SEQ.
3944	VD	0180	DYP	RE	800	PID	0016

SCALE: NONE SIZE: A0 SHEET NO. 7 OF 14 REV. 07

ITEM	44C-80001B	44C-80001B-M1	44C-80001B-P	44C-80001B-F2	44C-80001B-C3
DESCRIPTION	Blower	Main Motor	Oil Pump	Oil Demister	Enclosure Fan
TECHNICAL DATA	Outlet Capacity: 4247 Nm ³ /h Inlet/Outlet Pressure: 0/1.46 Barg Inlet/Outlet Temp: 48/167 °C Gas: Air Guaranteed capacity: 4175 Nm ³ /hr	Rated Power: 250 kW Speed: 2980 rpm Power Supply: 6kV / 50Hz / 3ph	Rated Power: - (Shaft driven) Type: Gear pump	Rated Power: 0.37 kW Type: Cyclone Power Supply: 230V / 50Hz / 1ph	Rated Power: 3 kW Type: Forced Draft

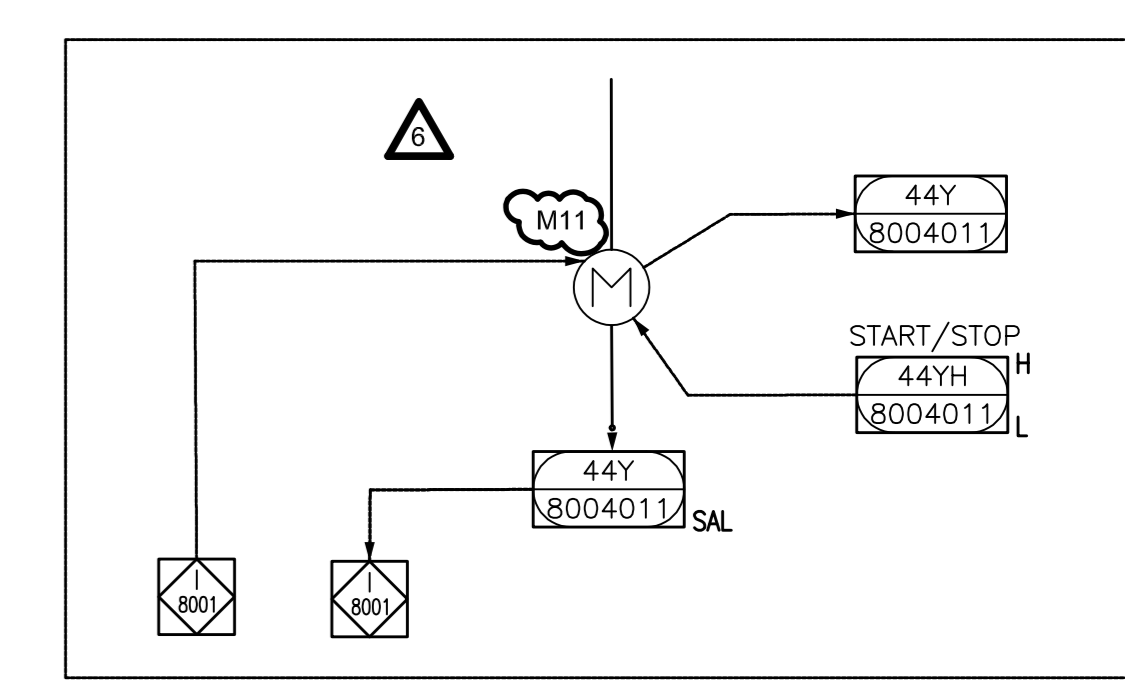
THIS DOCUMENT WITH ALL ITS RIGHTS IS THE PROPERTY OF A.S.P.C. AND MUST BE HELD IN CONFIDENCE. NO DISCLOSURE, REPRODUCTION OR OTHER USE OF THE DOCUMENT IN WHOLE OR A PORTIONS TO BE MADE WITHOUT THE PRIOR CONSENT OF A.S.P.C.

GENERAL NOTES

- 1 Driven by compressor shaft
- 2 Six times winding temperature sensors, Two times bearing temperature sensors to MCC

LEGEND

DETAIL



REV.	DATE	PURPOSE OF ISSUE (P.O.I.)	PREP.	CHKD.	APPR.
08	03/Feb/26	ISSUE FOR APPROVAL	SC	KP	JJ
07	26/Nov/25	ISSUE FOR APPROVAL	SC	KP	JJ
06	10/Sep/25	ISSUE FOR APPROVAL	SC	KP	JJ
05	02/Jul/25	ISSUE FOR APPROVAL	SC	KP	JJ
04	20/Jun/25	ISSUE FOR APPROVAL	SC	KP	JJ
03	25/Apr/25	ISSUE FOR APPROVAL	SC	KP	JJ
02	08/Apr/25	ISSUE FOR APPROVAL	SC	KP	JJ
01	27/Feb/25	ISSUE FOR APPROVAL	SC	KP	JJ
00	11/Feb/25	ISSUE FOR APPROVAL	SC	KP	JJ

OWNER:

PROJECT:
300 KT POLYETHYLENE PLANT
ARYA SASOL POLYMER COMPANY (ASPC)

MC:

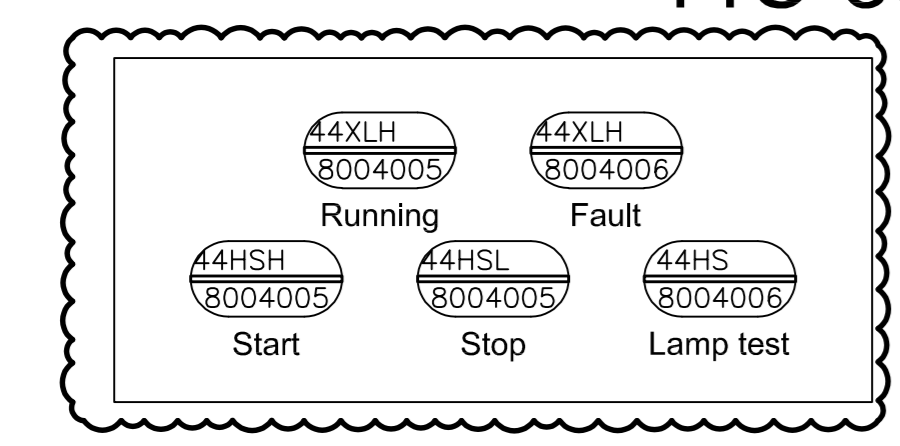
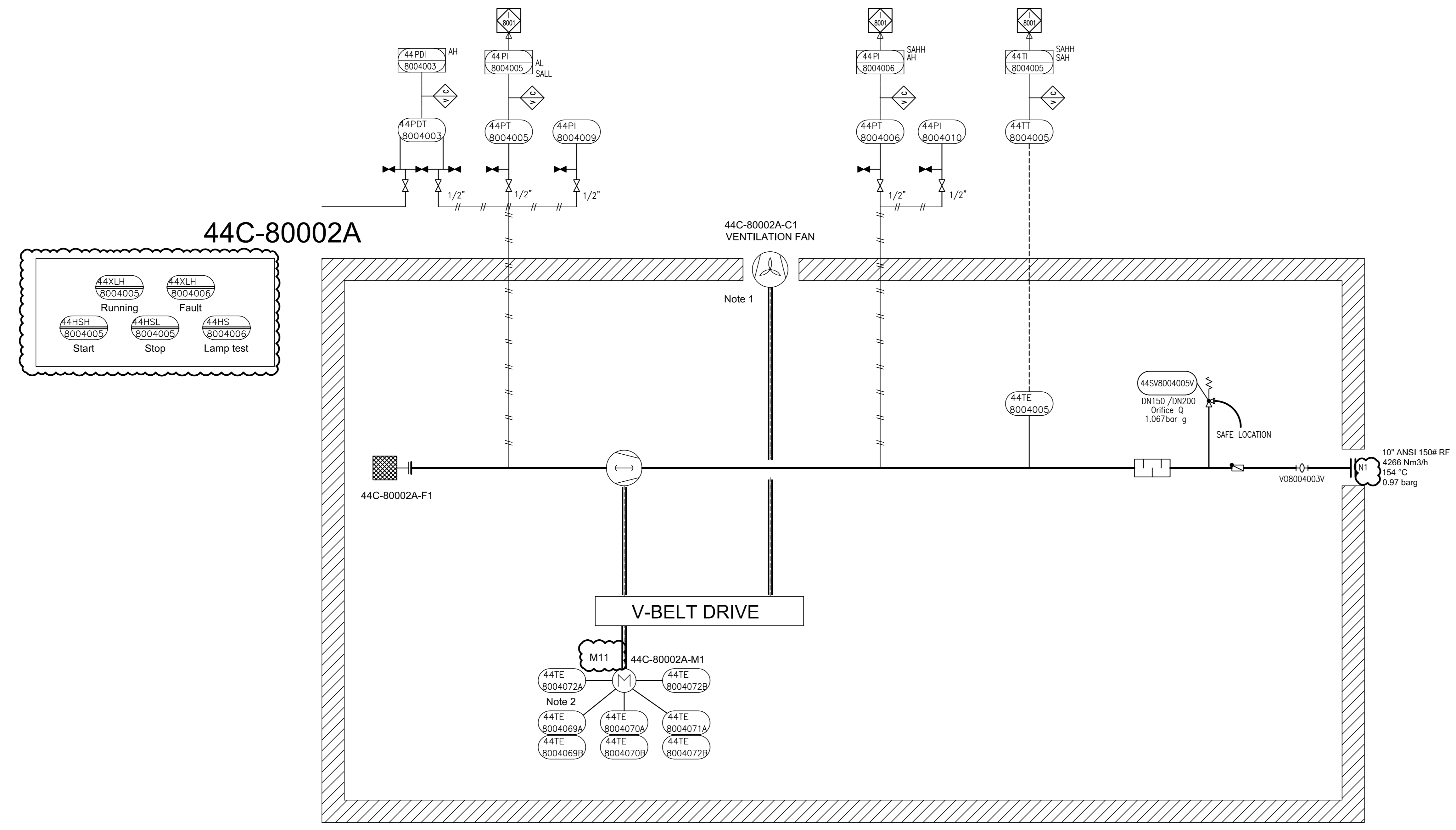
CONTRACTOR:

VENDOR:

DRAWING TITLE:
PIPING & INSTRUMENTATION DIAGRAM
PNEUMATIC CONVEYING TRANSPORT 44C-80002A

OWNER PROJECT NO.	VENDOR DWG.	MR NO.	VENDOR CODE	DISCIPLINE	UNIT	TYPE	SEQ.
3944	VD	0180	DYP	RE	800	PID	0016

SCALE: NONE SIZE: A0 SHEET NO. 8 OF 14 REV. 07



ITEM	44C-80002A	44C-80002A-M1	44C-80002A-C1
DESCRIPTION	Blower	Main Motor	Enclosure Fan
TECHNICAL DATA	Outlet Capacity: 4266 Nm ³ /h Inlet/Outlet Pressure: 0/0.97 Barg Inlet/Outlet Temp: 48/154 °C Gas: Air Guaranteed capacity: 4257 Nm ³ /hr	Rated Power: 250 kW Speed: 1488 rpm Power Supply: 6kV / 50Hz / 3ph	Rated Power: - (Shaft Driven) Type: Forced Draft

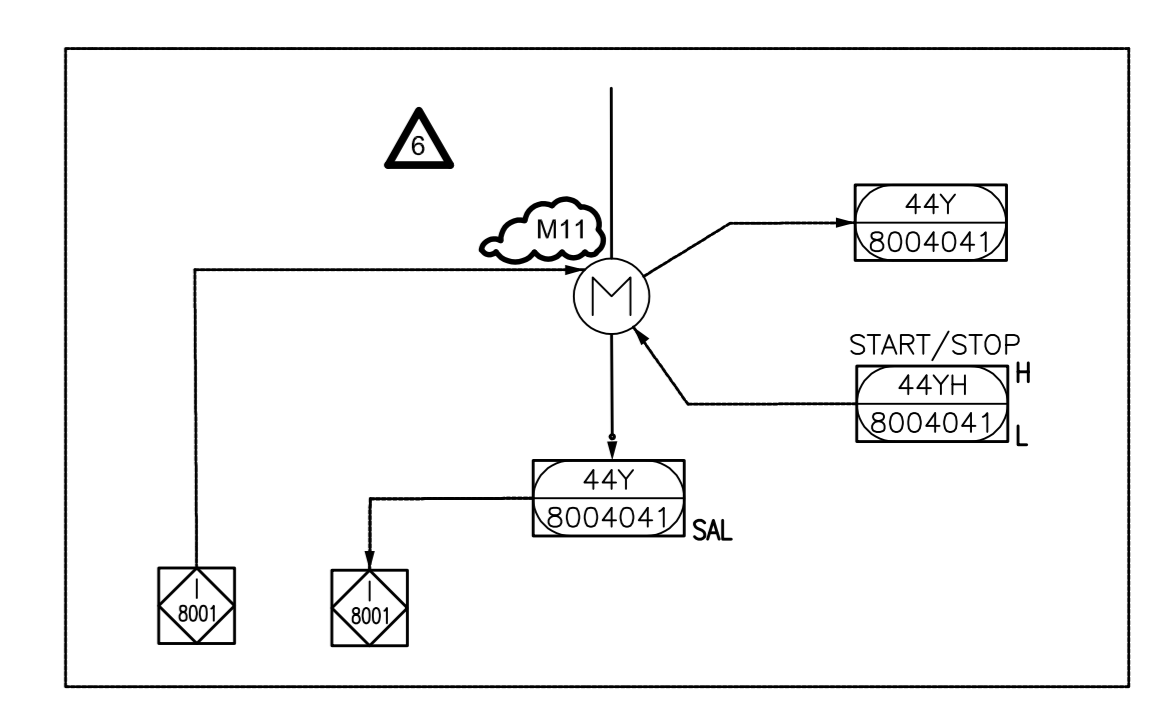
THIS DOCUMENT WITH ALL ITS RIGHTS IS THE PROPERTY OF A.S.P.C. AND MUST BE HELD IN CONFIDENCE. NO DISCLOSURE, REPRODUCTION OR OTHER USE OF THE DOCUMENT IN WHOLE OR A PORTION IS TO BE MADE WITHOUT THE PRIOR CONSENT OF A.S.P.C.

GENERAL NOTES

- 1 Driven by compressor shaft
- 2 Six times winding temperature sensors, Two times bearing temperature sensors to MCC

LEGEND

DETAIL



REV	DATE	PURPOSE OF ISSUE (P.O.I.)	PREP.	CHKD.	APPR.
08	03/Feb/26	ISSUE FOR APPROVAL	SC	KP	JJ
07	26/Nov/25	ISSUE FOR APPROVAL	SC	KP	JJ
06	10/Sep/25	ISSUE FOR APPROVAL	SC	KP	JJ
05	02/Jul/25	ISSUE FOR APPROVAL	SC	KP	JJ
04	20/Jun/25	ISSUE FOR APPROVAL	SC	KP	JJ
03	25/Apr/25	ISSUE FOR APPROVAL	SC	KP	JJ
02	08/Apr/25	ISSUE FOR APPROVAL	SC	KP	JJ
01	27/Feb/25	ISSUE FOR APPROVAL	SC	KP	JJ
00	11/Feb/25	ISSUE FOR APPROVAL	SC	KP	JJ

OWNER:



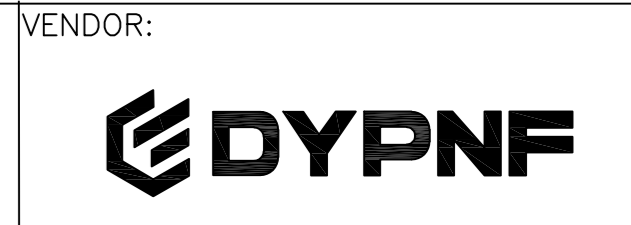
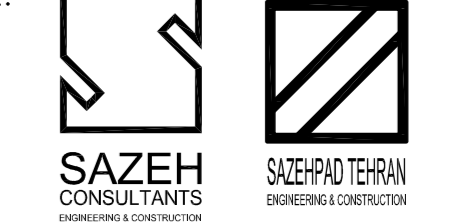
PROJECT:

300 KT POLYETHYLENE PLANT
ARYA SASOL POLYMER COMPANY (ASPC)

MC:



CONTRACTOR:



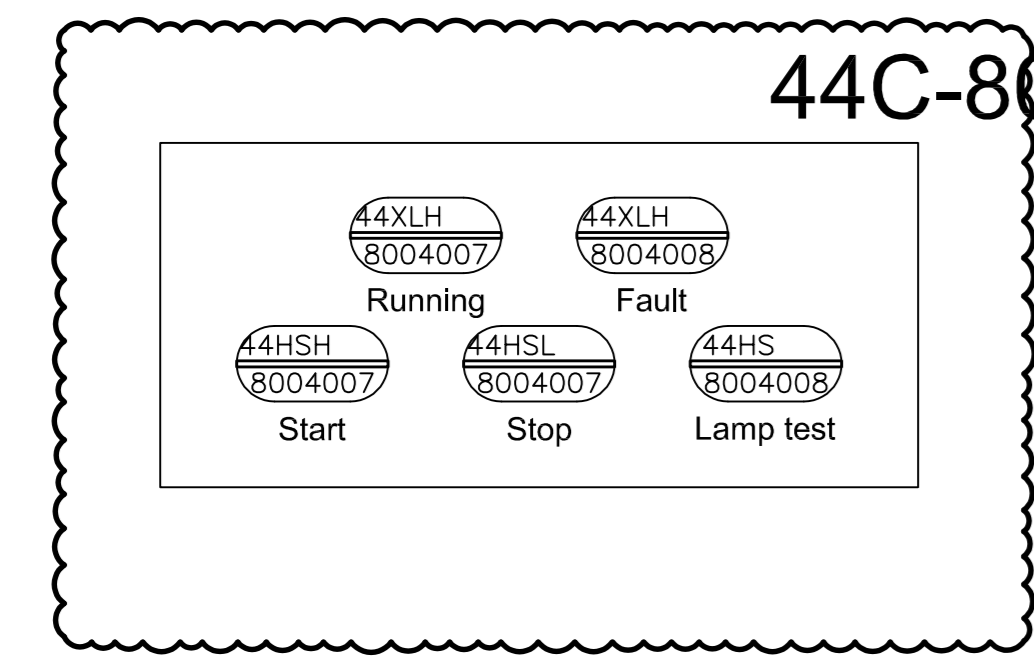
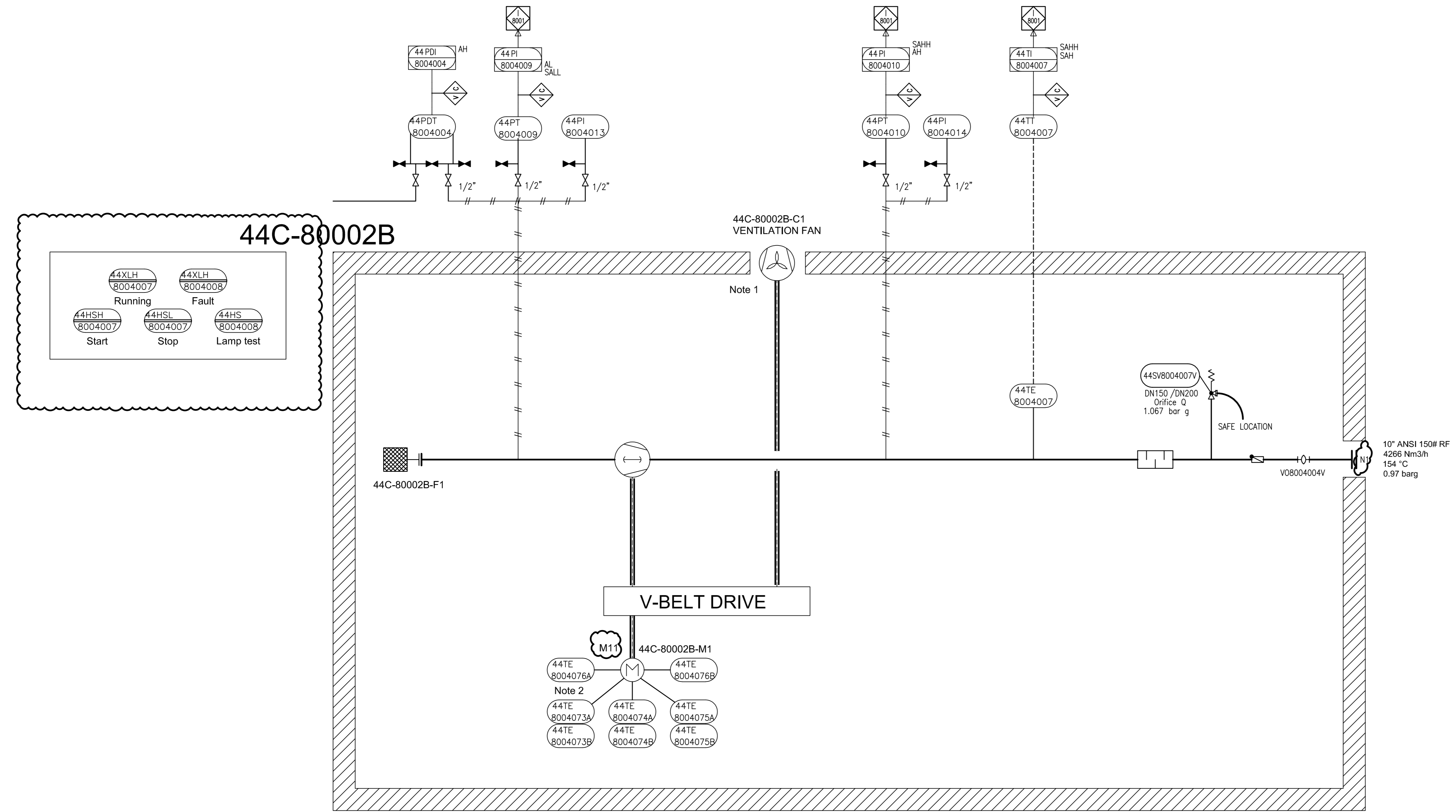
VENDOR:

DRAWING TITLE:
PIPING & INSTRUMENTATION DIAGRAM
PNEUMATIC CONVEYING SYSTEM 44C-80002B

OWNER DOC. NO.

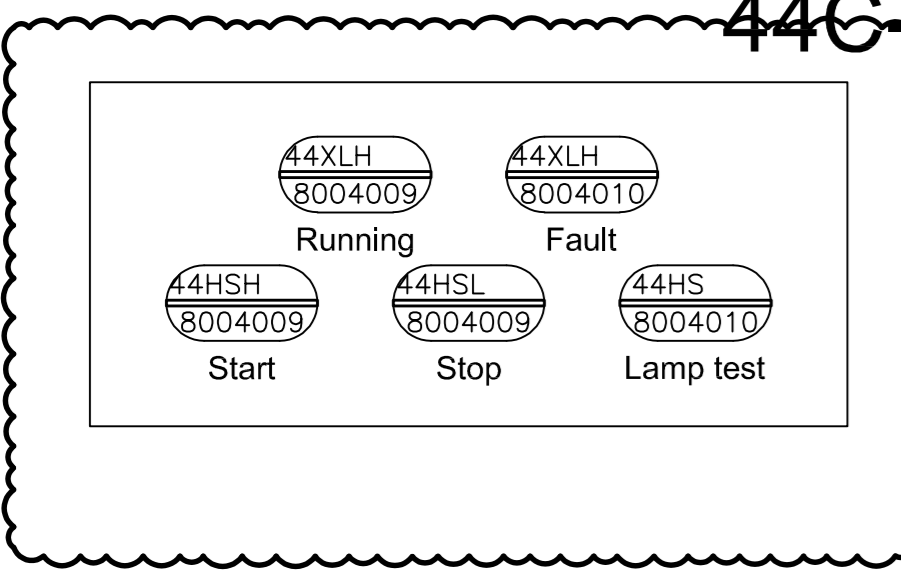
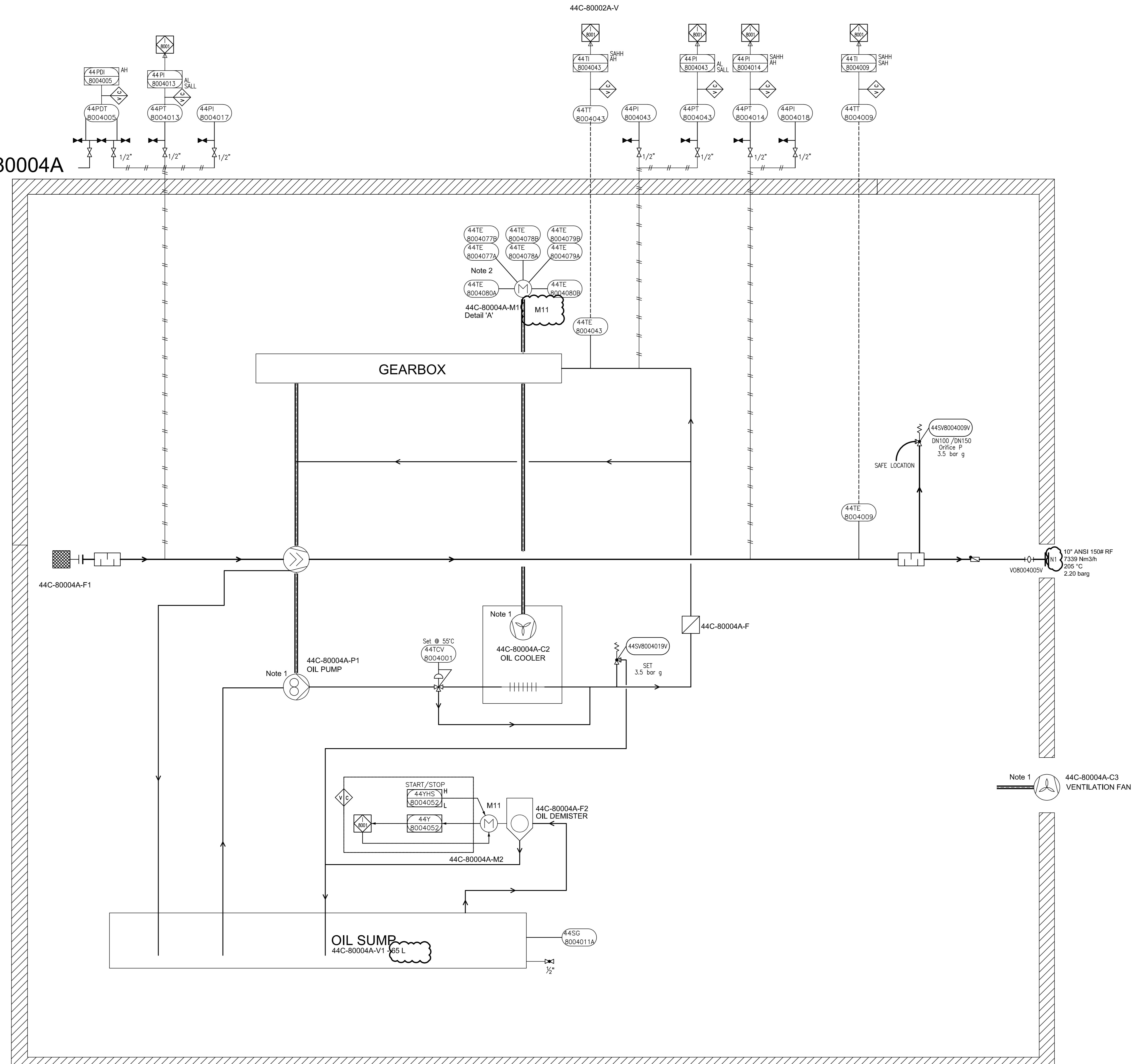
OWNER PROJECT NO.	VENDOR DWG.	MR NO.	VENDOR CODE	DISCIPLINE	UNIT	TYPE	SEQ.
3944	VD	0180	DYP	RE	800	PID	0016

SCALE: NONE SIZE: A0 SHEET NO. 9 OF 14 REV. 07



ITEM	44C-80002B	44C-80002B-M1	44C-80002B-C1
DESCRIPTION	Blower	Main Motor	Enclosure Fan
TECHNICAL DATA	Outlet Capacity: 4266 Nm ³ /h Inlet/Outlet Pressure: 0/0.97 Barg Inlet/Outlet Temp: 48/154 °C Gas: Air Guaranteed capacity: 4257 Nm ³ /hr	Rated Power: 250 kW Speed: 1488 rpm Power Supply: 6kV / 50Hz / 3ph	Rated Power: - (Shaft Driven) Type: Forced Draft

THIS DOCUMENT WITH ALL ITS RIGHTS IS THE PROPERTY OF A.S.P.C. AND MUST BE HELD IN CONFIDENCE. NO DISCLOSURE, REPRODUCTION OR OTHER USE OF THE DOCUMENT IN WHOLE OR A PORTION IS TO BE MADE WITHOUT THE PRIOR CONSENT OF A.S.P.C.

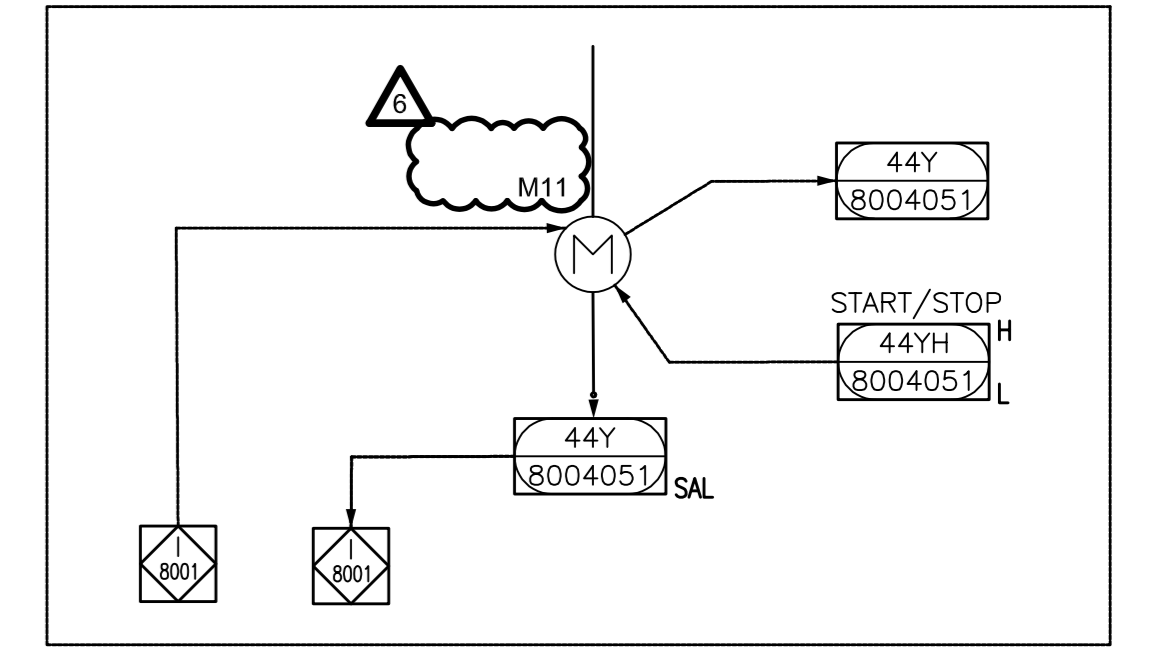


GENERAL NOTES

- 1 Driven by compressor shaft
- 2 Six times winding temperature sensors, Two times bearing temperature sensors to MCC

LEGEND

DETAIL



REV.	DATE	PURPOSE OF ISSUE (P.O.I.)	PREP.	CHKD.	APPR.
08	03/Feb/26	ISSUE FOR APPROVAL	SC	KP	JJ
07	26/Nov/25	ISSUE FOR APPROVAL	SC	KP	JJ
06	10/Sep/25	ISSUE FOR APPROVAL	SC	KP	JJ
05	02/Jul/25	ISSUE FOR APPROVAL	SC	KP	JJ
04	20/Jun/25	ISSUE FOR APPROVAL	SC	KP	JJ
03	25/Apr/25	ISSUE FOR APPROVAL	SC	KP	JJ
02	08/Apr/25	ISSUE FOR APPROVAL	SC	KP	JJ
01	27/Jan/25	ISSUE FOR APPROVAL	SC	KP	JJ
00	11/Feb/25	ISSUE FOR APPROVAL	SC	KP	JJ

OWNER:



PROJECT:
300 KT POLYETHYLENE PLANT
ARYA SASOL POLYMER COMPANY (ASPC)

MC:
ISEDCO
شرکت عمران و ساختن

CONTRACTOR:
SAZEH CONSULTANTS
SAZEH CONSULTANTS

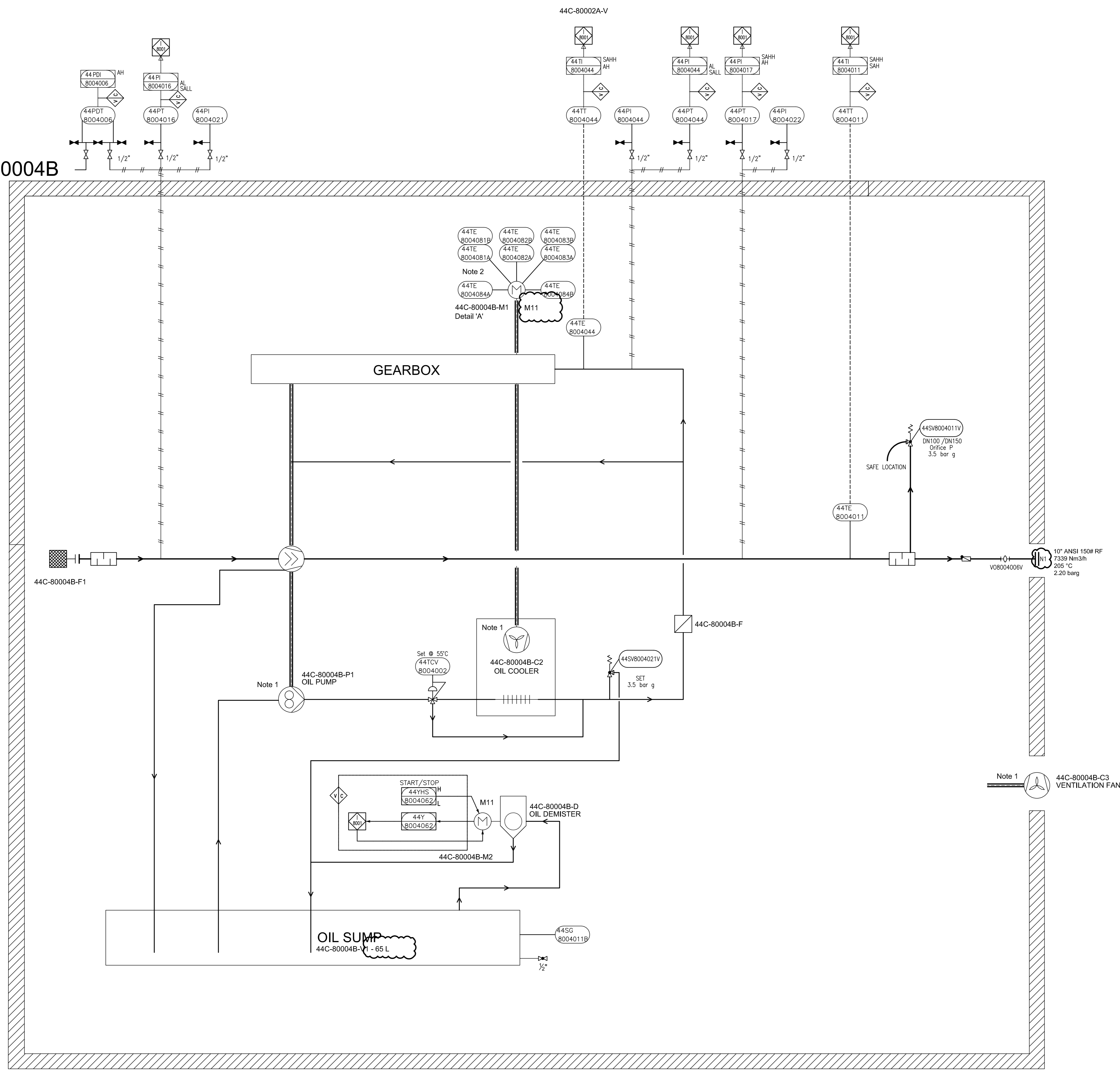
VENDOR:
DYPNF

DRAWING TITLE:
PIPING & INSTRUMENTATION DIAGRAM
PNEUMATIC CONVEYING SYSTEM 44C-80004A

OWNER DOC. NO.					
OWNER PROJECT NO.	VENDOR DWG.	MR NO.	VENDOR CODE	DISCIPLINE	UNIT TYPE SEQ.
3944	VD	0180	DYP	RE	800 PID 0016
SCALE: NONE	SIZE: A0	SHEET NO. 10	OF 14	REV. 07	

ITEM	44C-80004A	44C-80004A-M1	44C-80004A-P	44C-80004A-D	44C-80004A-C3
DESCRIPTION	Blower	Main Motor	Oil Pump	Oil Demister	Enclosure Fan
TECHNICAL DATA	Outlet Capacity: 7339 Nm ³ /h Inlet/Outlet Pressure: 0/2.20 Barg Inlet/Outlet Temp: 48/205 °C Gas: Ar Guaranteed capacity: 7185 Nm ³ /hr	Rated Power: 590 kW Speed: 2985 rpm Power Supply: 6kV / 50Hz / 3ph	Rated Power: - (Shaft driven) Type: Gear pump	Rated Power: 0.37 kW Type: Cyclone Power Supply: 230V / 50Hz / 1ph	Rated Power: - (Shaft Driven) Type: Forced Draft

THIS DOCUMENT WITH ALL ITS RIGHTS IS THE PROPERTY OF A.S.P.C. AND MUST BE HELD IN CONFIDENCE. NO DISCLOSURE, REPRODUCTION OR OTHER USE OF THE DOCUMENT IN WHOLE OR A PORTION IS TO BE MADE WITHOUT THE PRIOR CONSENT OF A.S.P.C.

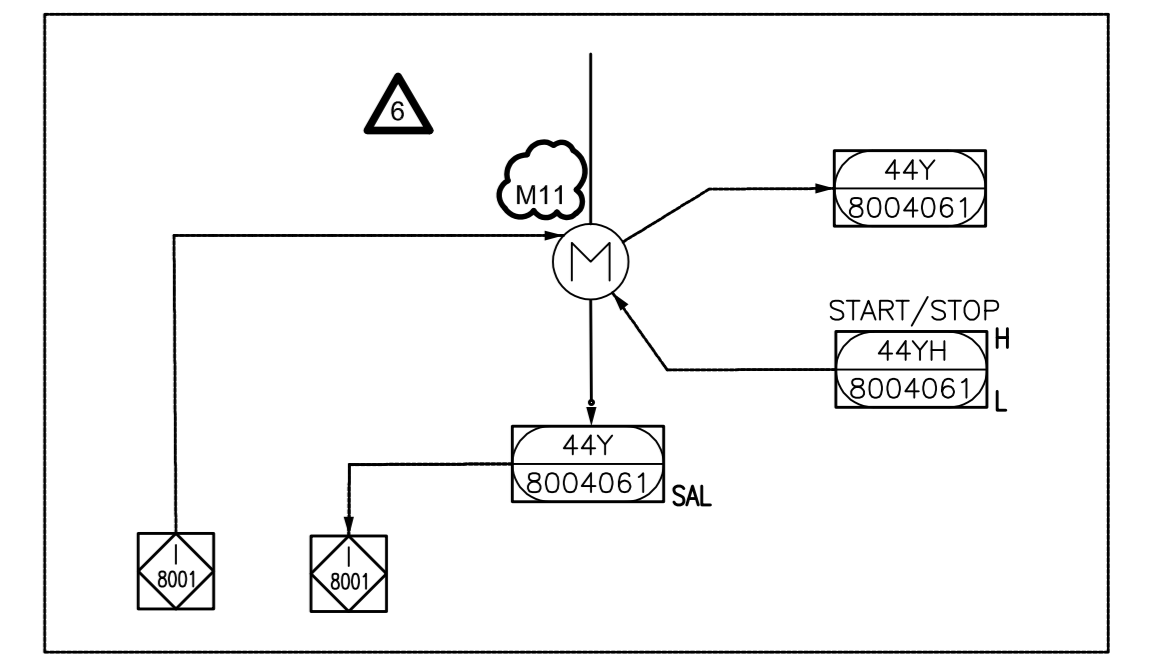


GENERAL NOTES

- 1 Driven by compressor shaft
- 2 Six times winding temperature sensors, Two times bearing temperature sensors to MCC

LEGEND

DETAIL



REV.	DATE	PURPOSE OF ISSUE (P.O.I.)	PREP.	CHKD.	APPR.
08	03/Feb/26	ISSUE FOR APPROVAL	SC	KP	JJ
07	26/Nov/25	ISSUE FOR APPROVAL	SC	KP	JJ
06	10/Sep/25	ISSUE FOR APPROVAL	SC	KP	JJ
05	02/Jul/25	ISSUE FOR APPROVAL	SC	KP	JJ
04	20/Jun/25	ISSUE FOR APPROVAL	SC	KP	JJ
03	25/Apr/25	ISSUE FOR APPROVAL	SC	KP	JJ
02	08/Apr/25	ISSUE FOR APPROVAL	SC	KP	JJ
01	27/Feb/25	ISSUE FOR APPROVAL	SC	KP	JJ
00	11/Feb/25	ISSUE FOR APPROVAL	SC	KP	JJ

OWNER:



PROJECT:
300 KT POLYETHYLENE PLANT
ARYA SASOL POLYMER COMPANY (ASPC)

MC:
ISEDCO
شرکت عمران و ساختن

CONTRACTOR:
SAZEH CONSULTANTS
SABZPOOSH

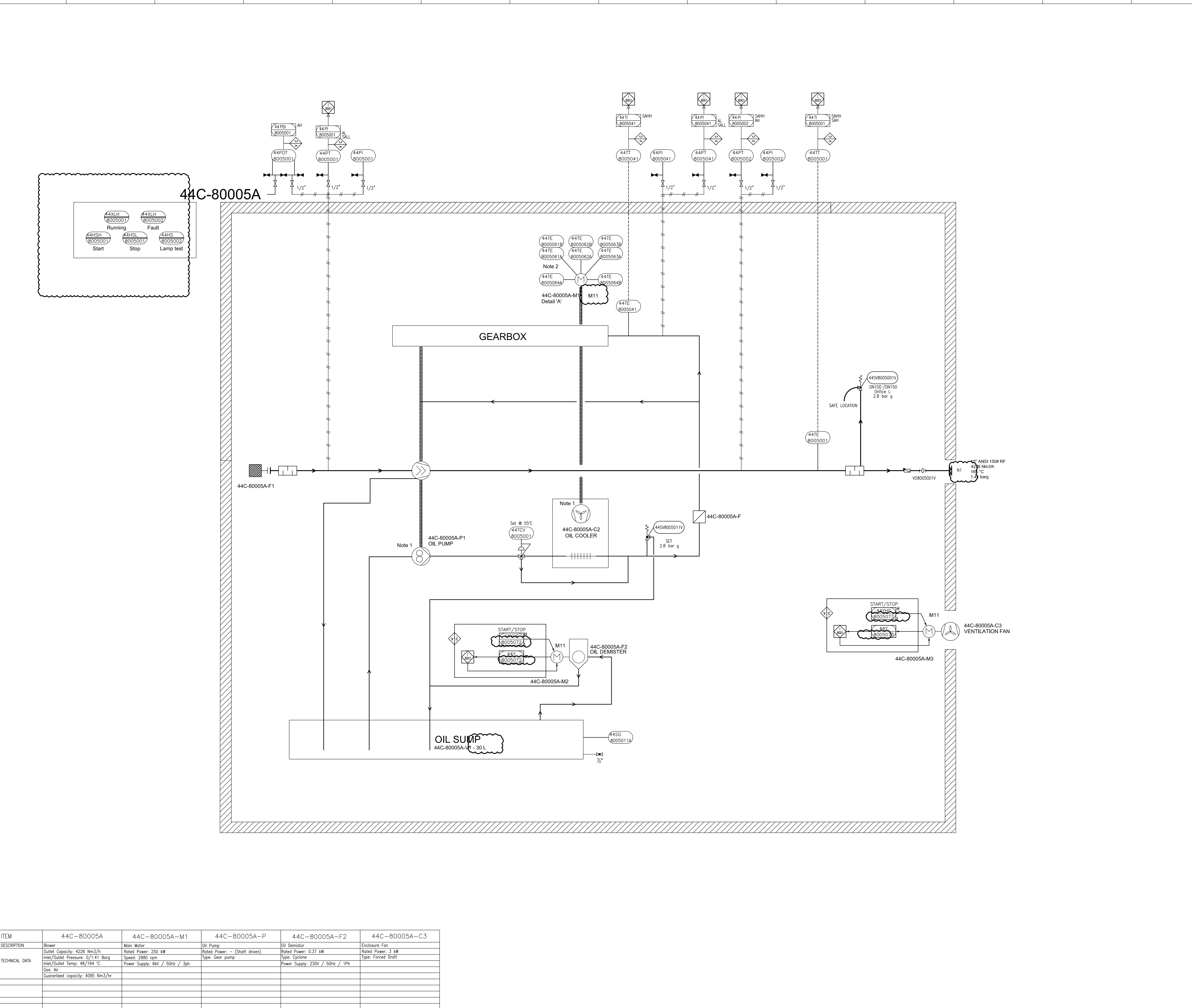
VENDOR:
DYPNF

DRAWING TITLE:
PIPING & INSTRUMENTATION DIAGRAM
PNEUMATIC CONVEYING SYSTEM 44C-80004B

OWNER DOC. NO.					
OWNER PROJECT NO.	VENDOR DWG.	MR NO.	VENDOR CODE	DISCIPLINE	UNIT TYPE SEQ.
3944	VD	0180	DYP	RE	800 PID 0016
SCALE: NONE	SIZE: A0	SHEET NO. 11	OF 14	REV. 07	

ITEM	44C-80004B	44C-80004B-M1	44C-80004B-P	44C-80004B-D	44C-80004B-C3
DESCRIPTION	Blower	Main Motor	Oil Pump	Oil Demister	Enclosure Fan
TECHNICAL DATA	Outlet Capacity: 7339 Nm ³ /h Inlet/Outlet Pressure: 0/2.20 Barg Inlet/Outlet Temp: 48/205 °C Gas: Air Guaranteed Capacity: 7185 Nm ³ /hr	Rated Power: 590 kW Speed: 2985 rpm Power Supply: 6kV / 50Hz / 3ph	Rated Power: - (Shaft driven) Type: Gear pump	Rated Power: 0.37 kW Type: Cyclone Power Supply: 230V / 50Hz / 1Ph	Rated Power: - (Shaft Driven) Type: Forced Draft

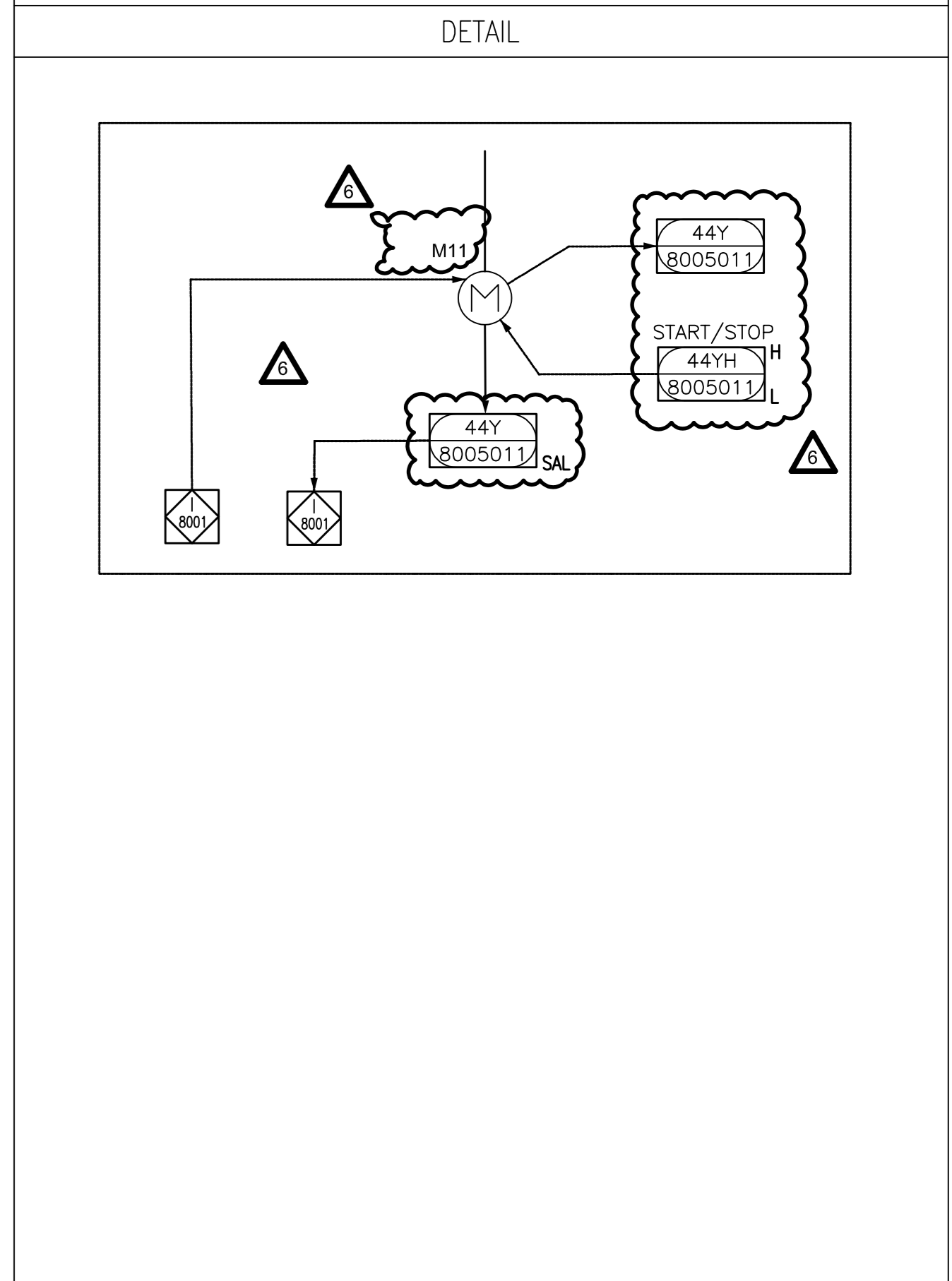
THIS DOCUMENT WITH ALL ITS RIGHTS IS THE PROPERTY OF A.S.P.C. AND MUST BE HELD IN CONFIDENCE. NO DISCLOSURE, REPRODUCTION OR OTHER USE OF THE DOCUMENT IN WHOLE OR A PORTION IS TO BE MADE WITHOUT THE PRIOR CONSENT OF A.S.P.C.



GENERAL NOTES

- Driven by compressor shaft
- Six times winding temperature sensors, Two times bearing temperature sensors to MCC

LEGEND



REV	DATE	PURPOSE OF ISSUE (P.O.I.)	PREP.	CHKD.	APPR.
08	03/Feb/26	ISSUE FOR APPROVAL	SC	KP	JJ
07	26/Nov/25	ISSUE FOR APPROVAL	SC	KP	JJ
06	10/Sep/25	ISSUE FOR APPROVAL	SC	KP	JJ
05	02/Jul/25	ISSUE FOR APPROVAL	SC	KP	JJ
04	20/Jun/25	ISSUE FOR APPROVAL	SC	KP	JJ
03	25/Apr/25	ISSUE FOR APPROVAL	SC	KP	JJ
02	08/Apr/25	ISSUE FOR APPROVAL	SC	KP	JJ
01	27/Feb/25	ISSUE FOR APPROVAL	SC	KP	JJ
00	11/Feb/25	ISSUE FOR APPROVAL	SC	KP	JJ

OWNER:

PROJECT:
300 KT POLYETHYLENE PLANT
ARYA SASOL POLYMER COMPANY (ASPC)

MC:
ISEDSCO
 شرکت عمران و سازه های صنعتی

CONTRACTOR:

VENDOR:

DRAWING TITLE:
PIPING & INSTRUMENTATION DIAGRAM
PNEUMATIC CONVEYING SYSTEM 44C-80005A

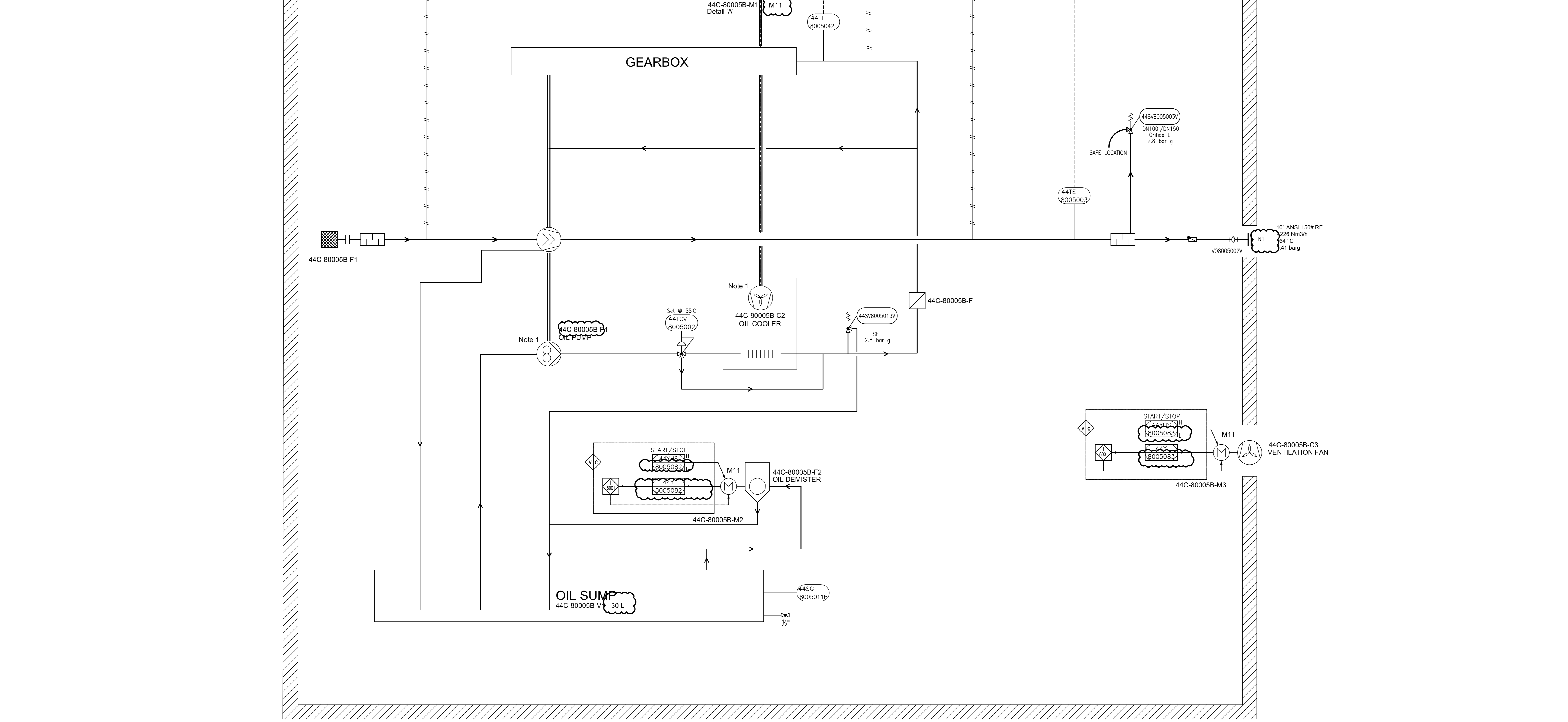
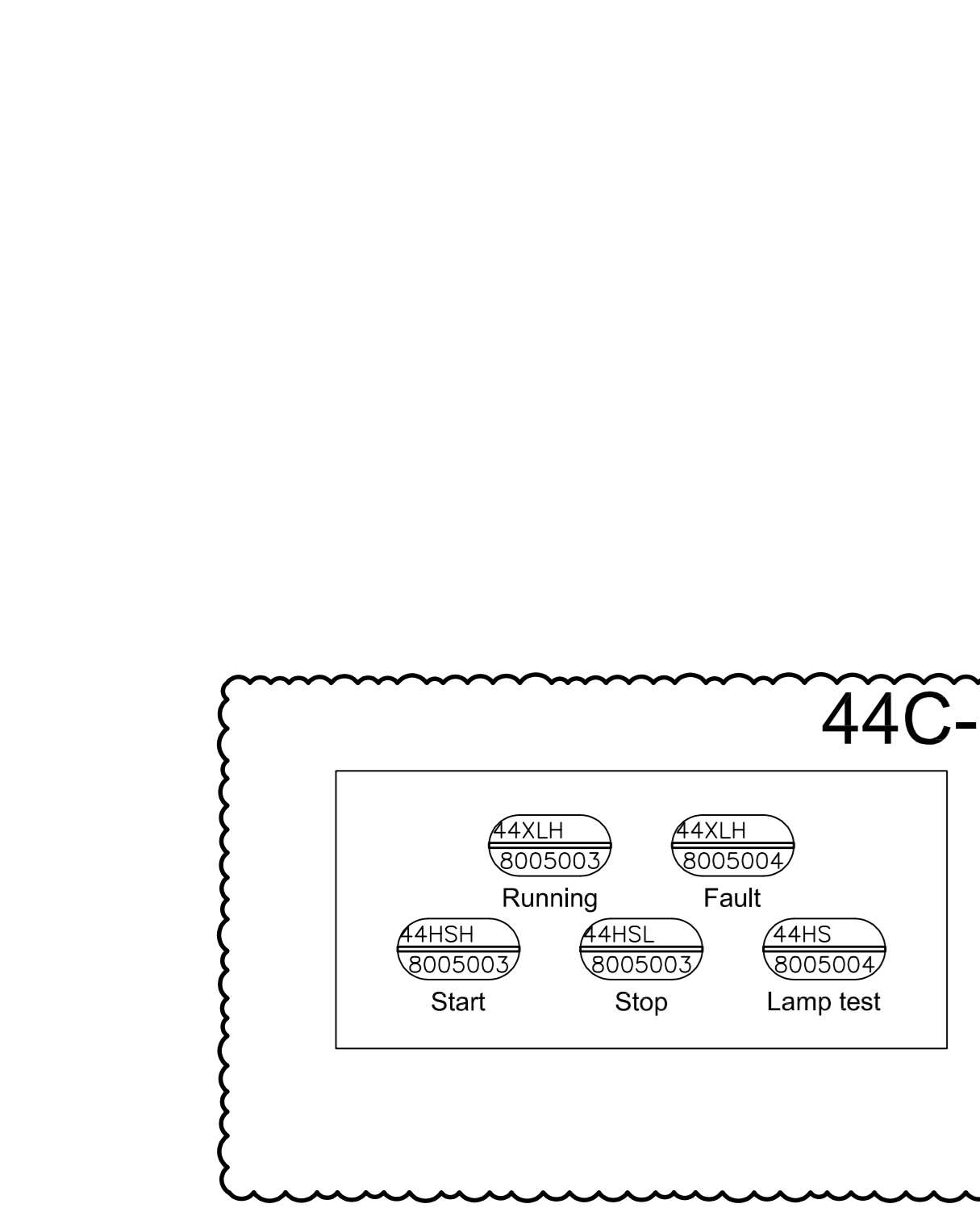
OWNER DOC. NO.

OWNER PROJECT NO.	VENDOR DWG.	MR NO.	VENDOR CODE	DISCIPLINE	UNIT	TYPE	SEQ.
3944	VD	0180	DYP	RE	800	PID	0016

SCALE: NONE SIZE: A0 SHEET NO. 12 OF 14 REV. 07

ITEM	44C-80005A	44C-80005A-M1	44C-80005A-P	44C-80005A-F2	44C-80005A-C3
DESCRIPTION	Blower	Main Motor	Oil Pump	Oil Demister	Enclosure Fan
TECHNICAL DATA	Outlet Capacity: 4226 Nm ³ /h Inlet/Outlet Pressure: 0/1.41 Barg Inlet/Outlet Temp: 48/164 °C Gas: Air Guaranteed capacity: 4095 Nm ³ /hr	Rated Power: 250 kW Speed: 2980 rpm Power Supply: 6kV / 50Hz / 3ph	Rated Power: - (Shaft driven) Type: Gear pump	Rated Power: 0.37 kW Type: Cyclone Power Supply: 230V / 50Hz / 1Ph	Rated Power: 3 kW Type: Forced Draft

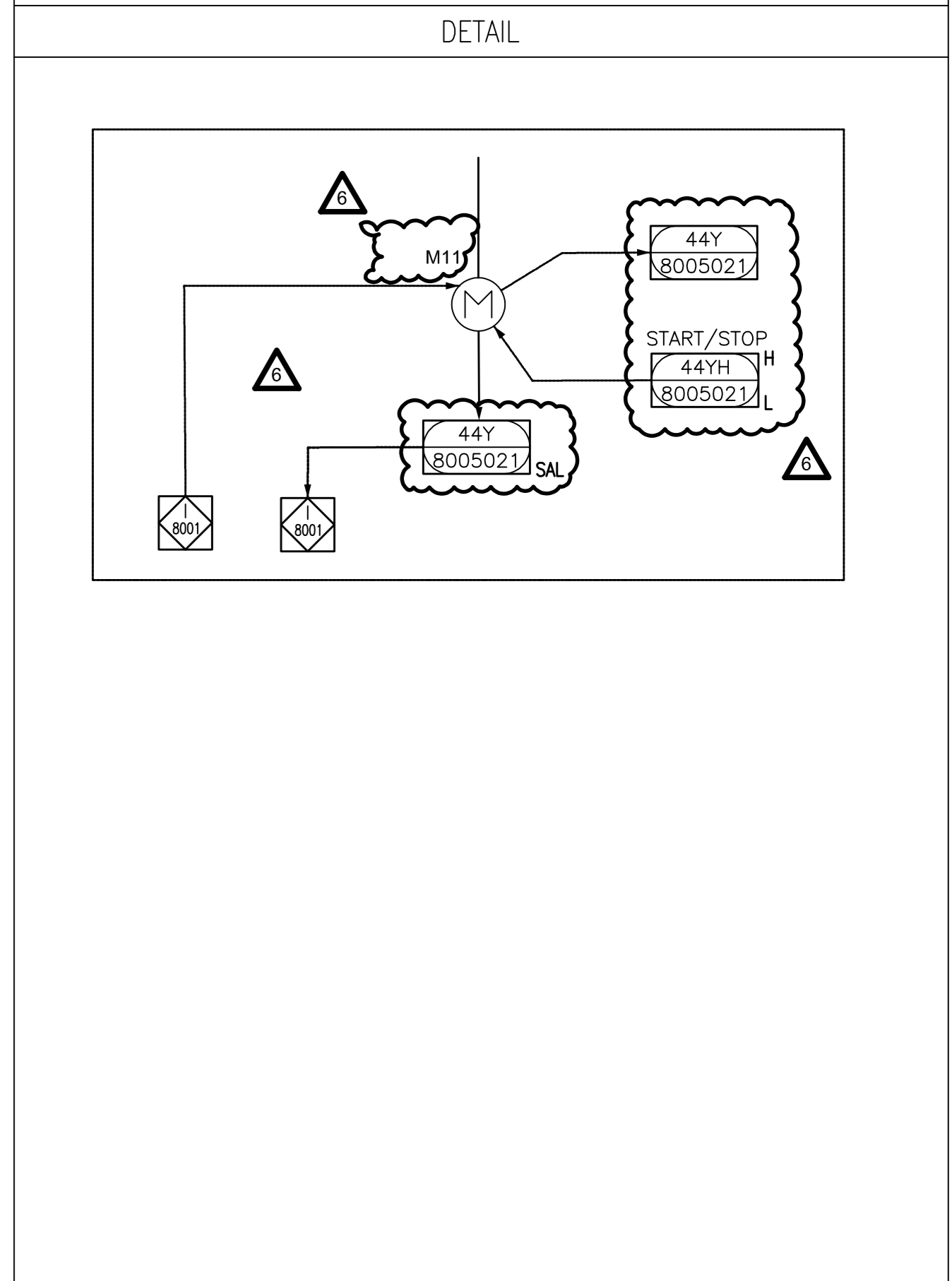
THIS DOCUMENT WITH ALL ITS RIGHTS IS THE PROPERTY OF A.S.P.C. AND MUST BE HELD IN CONFIDENCE. NO DISCLOSURE, REPRODUCTION OR OTHER USE OF THE DOCUMENT IN WHOLE OR A PORTIONS TO BE MADE WITHOUT THE PRIOR CONSENT OF A.S.P.C.



GENERAL NOTES

- 1 Driven by compressor shaft
- 2 Six times winding temperature sensors, Two times bearing temperature sensors to MCC

LEGEND



REV.	DATE	PURPOSE OF ISSUE (P.O.I.)	PREP.	CHKD.	APPR.
08	03/Feb/26	ISSUE FOR APPROVAL	SC	KP	JJ
07	26/Nov/25	ISSUE FOR APPROVAL	SC	KP	JJ
06	10/Sep/25	ISSUE FOR APPROVAL	SC	KP	JJ
05	02/Jul/25	ISSUE FOR APPROVAL	SC	KP	JJ
04	20/Jun/25	ISSUE FOR APPROVAL	SC	KP	JJ
03	25/Apr/25	ISSUE FOR APPROVAL	SC	KP	JJ
02	08/Apr/25	ISSUE FOR APPROVAL	SC	KP	JJ
01	27/Feb/25	ISSUE FOR APPROVAL	SC	KP	JJ
00	11/Feb/25	ISSUE FOR APPROVAL	SC	KP	JJ

OWNER:

PROJECT:
300 KT POLYETHYLENE PLANT
ARYA SASOL POLYMER COMPANY (ASPC)

MC:
ISEDCO
 شرکت عمران و سازه های صنعتی

CONTRACTOR:

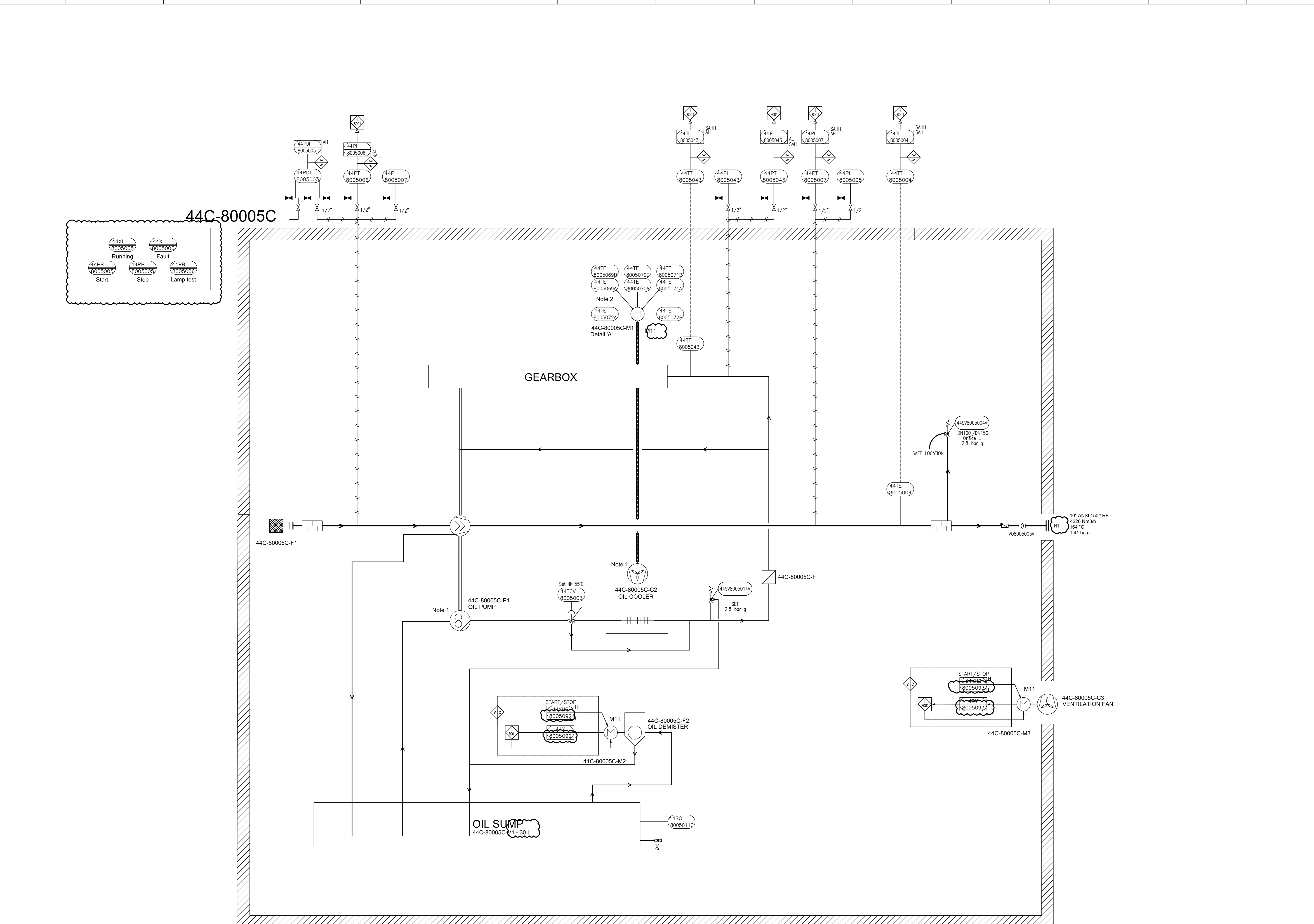
VENDOR:

DRAWING TITLE:
PIPING & INSTRUMENTATION DIAGRAM
PNEUMATIC CONVEYING SYSTEM 44C-80005B

OWNER PROJECT NO.	VENDOR DWG.	MR NO.	VENDOR CODE	DISCIPLINE	UNIT	TYPE	SEQ.
3944	VD	0180	DYP	RE	800	PID	0016

SCALE: NONE SIZE: A0 SHEET NO. 13 OF 14 REV. 07

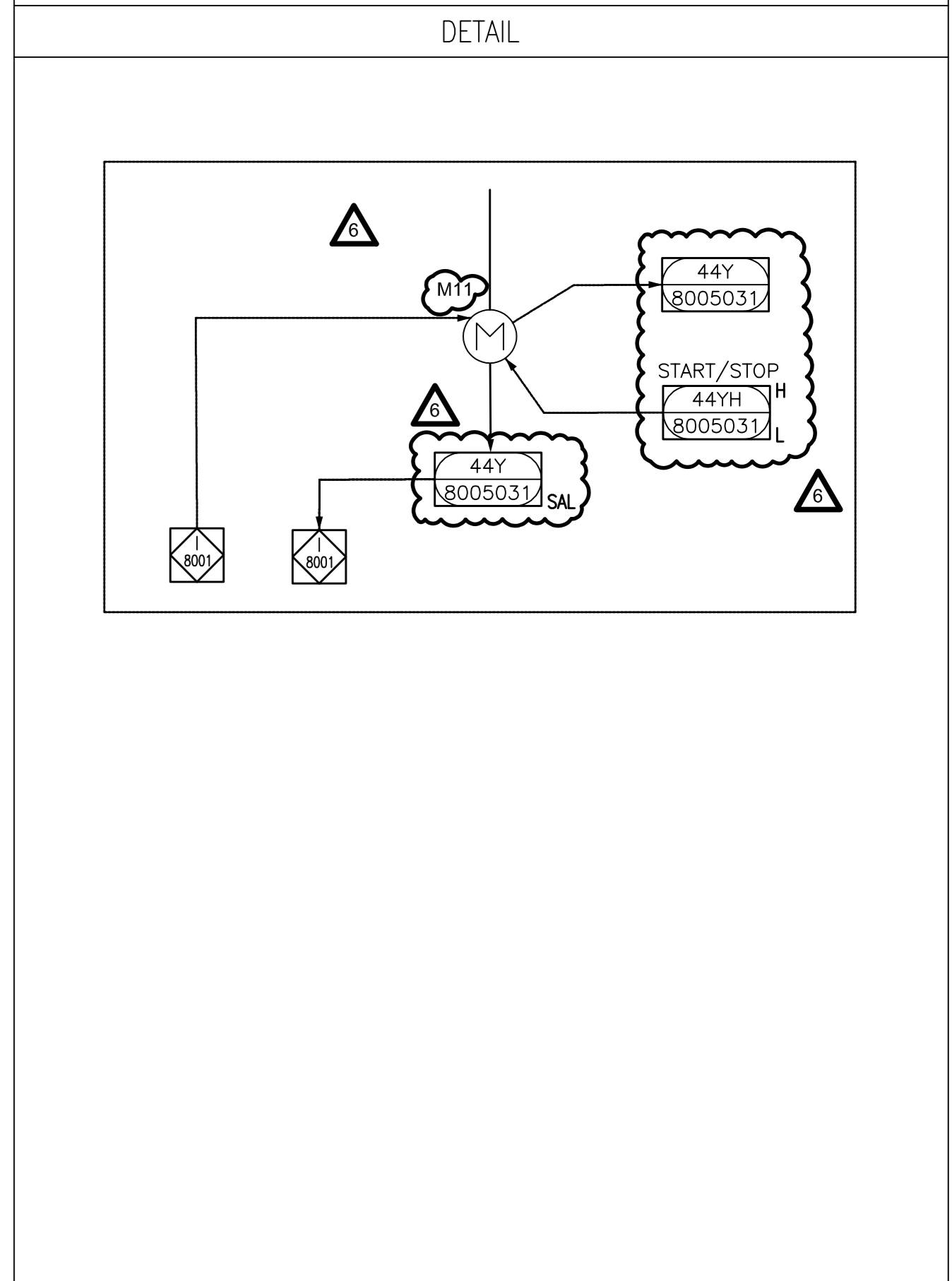
ITEM	44C-80005B	44C-80005B-M1	44C-80005B-P	44C-80005B-F2	44C-80005B-C3
DESCRIPTION	Blower	Main Motor	Oil Pump	Oil Demister	Enclosure Fan
TECHNICAL DATA	Outlet Capacity: 4226 Nm ³ /h Inlet/Outlet Pressure: 0/1.41 Barg Inlet/Outlet Temp: 48/164 °C Gas: Air Guaranteed capacity: 4095 Nm ³ /hr	Rated Power: 250 kW Speed: 2980 rpm Power Supply: 6kV / 50Hz / 3ph	Rated Power: - (Shaft driven) Rated Power: 0.37 kW Type: Gear pump	Rated Power: 0.37 kW Type: Cyclone Power Supply: 230V / 50Hz / 1Ph	Rated Power: 3 kW Type: Forced Draft



GENERAL NOTES

- 1 Driven by compressor shaft
- 2 Six times winding temperature sensors, Two times bearing temperature sensors to MCC

LEGEND



REV.	DATE	PURPOSE OF ISSUE (P.O.I.)	PREP.	CHKD.	APPR.
08	03/Feb/26	ISSUE FOR APPROVAL	SC	KP	JJ
07	26/Nov/25	ISSUE FOR APPROVAL	SC	KP	JJ
06	10/Sep/25	ISSUE FOR APPROVAL	SC	KP	JJ
05	02/Jul/25	ISSUE FOR APPROVAL	SC	KP	JJ
04	20/Jun/25	ISSUE FOR APPROVAL	SC	KP	JJ
03	25/Apr/25	ISSUE FOR APPROVAL	SC	KP	JJ
02	08/Apr/25	ISSUE FOR APPROVAL	SC	KP	JJ
01	27/Feb/25	ISSUE FOR APPROVAL	SC	KP	JJ
00	11/Feb/25	ISSUE FOR APPROVAL	SC	KP	JJ

OWNER:

PROJECT:
300 KT POLYETHYLENE PLANT
ARYA SASOL POLYMER COMPANY (ASPC)

MC:
ISEDCO
شرکت عمران و مهندسی

CONTRACTOR:
SAZEH CONSULTANTS
SAZEH CONSULTANTS

VENDOR:
DYPNF

DRAWING TITLE:
PIPING & INSTRUMENTATION DIAGRAM
PNEUMATIC CONVEYING SYSTEM 44C-80005C

OWNER DOC. NO.

OWNER PROJECT NO.	VENDOR DWG.	MR NO.	VENDOR CODE	DISCIPLINE	UNIT	TYPE	SEQ.
3944	VD	0180	DYP	RE	800	PID	0016

SCALE: NONE SIZE: A0 SHEET NO. 14 OF 14 REV. 07

ITEM	44C-80005C	44C-80005C-M1	44C-80005C-P1	44C-80005C-F2	44C-80005C-C3
DESCRIPTION	Blower	Main Motor	Oil Pump	Oil Demister	Enclosure Fan
TECHNICAL DATA	Outlet Capacity: 4226 Nm ³ /h Inlet/Outlet Pressure: 0/1.41 Barg Inlet/Outlet Temp: 48/164 °C Gas: Ar Guaranteed capacity: 4095 Nm ³ /hr	Rated Power: 250 kW Speed: 2980 rpm Power Supply: 6kV / 50Hz / 3ph	Rated Power: - (Shaft driven) Type: Gear pump	Rated Power: 0.37 kW Type: Cyclone Power Supply: 230V / 50Hz / 1ph	Rated Power: 3 kW Type: Forced Draft

THIS DOCUMENT WITH ALL ITS RIGHTS IS THE PROPERTY OF A.S.P.C. AND MUST BE HELD IN CONFIDENCE. NO DISCLOSURE, REPRODUCTION OR OTHER USE OF THE DOCUMENT IN WHOLE OR A PORTIONS TO BE MADE WITHOUT THE PRIOR CONSENT OF A.S.P.C.