



ASPC Project



END CUSTOMER	: Arya Sasol Polymer Company
CONTRACTOR	: DYPNF Co., Ltd.
VENDOR NAME	: Airpack Netherlands BV
EQUIPMENT DESCRIPTION	: Screw Compressor & Roots Blower : Package
PURCHASE ORDER NUMBER	: PO-PC2312-08

Customer Document : 3944-VD-0171-DYP-RE-400-PID-0016
Number

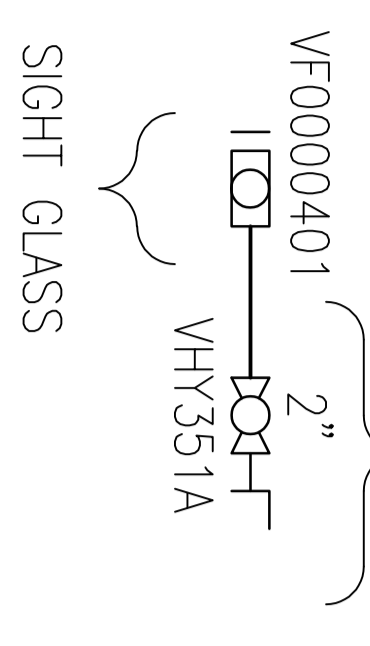
Airpack Document Number : 23383-03

Document Title : Piping & Instrument Diagram (incl. legend)

Review Code and Status		Contractor Initials/Signature	Date signed
<input type="checkbox"/>	Code 1 REJECTED - Vendor to revise and Resubmit. Work cannot proceed		
<input type="checkbox"/>	Code 2 Comments As Noted - Work May proceed, subject to compliance with and incorporation of comments		
<input type="checkbox"/>	Code 3 No Comments - Work may proceed.		
<input type="checkbox"/>	Code 4 Information only - Review not required.		

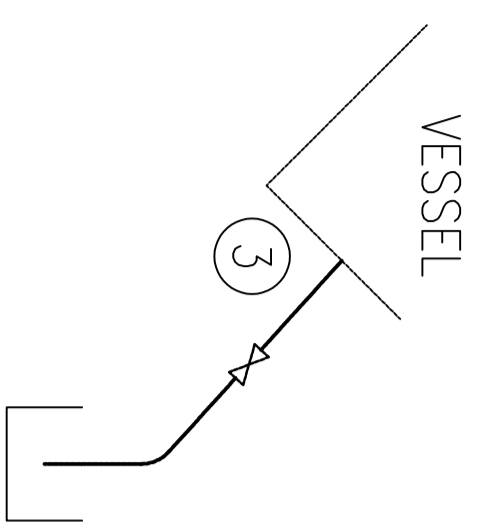
Rev. No.	Description	Date	Prepared by	Checked by	Approved by
02	Issued for Approval	08-04-2025	SC	KP	JJ
01	Issued for Approval	28-02-2025	SC	KP	JJ
00	Issued for Approval	11-02-2025	SC	KP	JJ

No. 1
 SAMPLE CONNECTION
 FOR ACTIVATED CATALYST
 ACC. TO P&I 10020
 (NO MAT)



No.	SAMPLE No.	PID No.	LOCATION	MEDIUM	SAMPLE TYPE No.
1	SC5002001	10020	44B-10001B 44B-10001A	CATALYST	No.: 1
2	SC7002002	10020		CATALYST	No.: 1

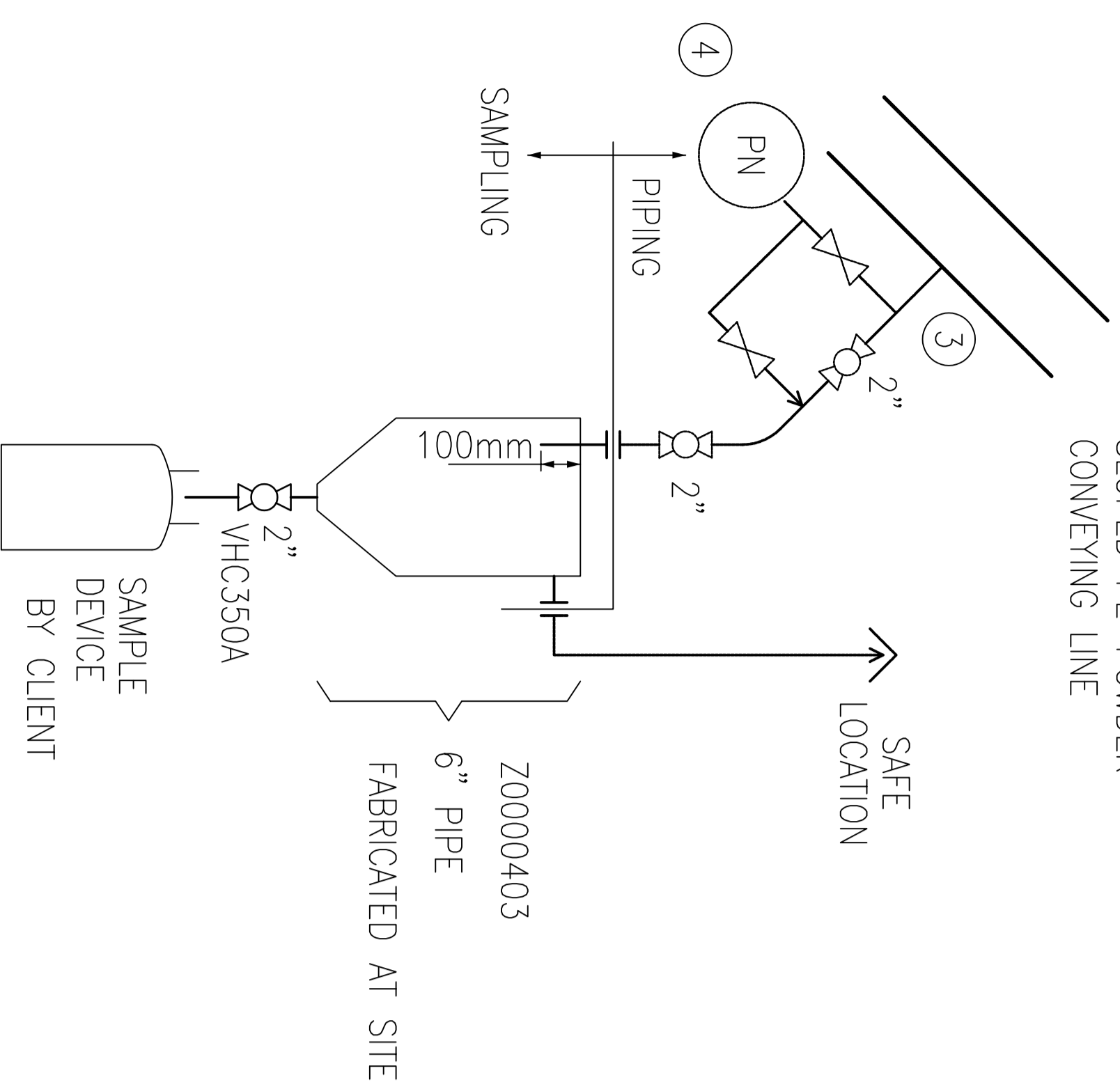
No. 4
 SAMPLE CONNECTION FOR
 PE-GRANULATE MOUNTED
 TO A VESSEL



MANUAL OR AUTOMATIC VALVE
 DEPENDING ON ACCESS

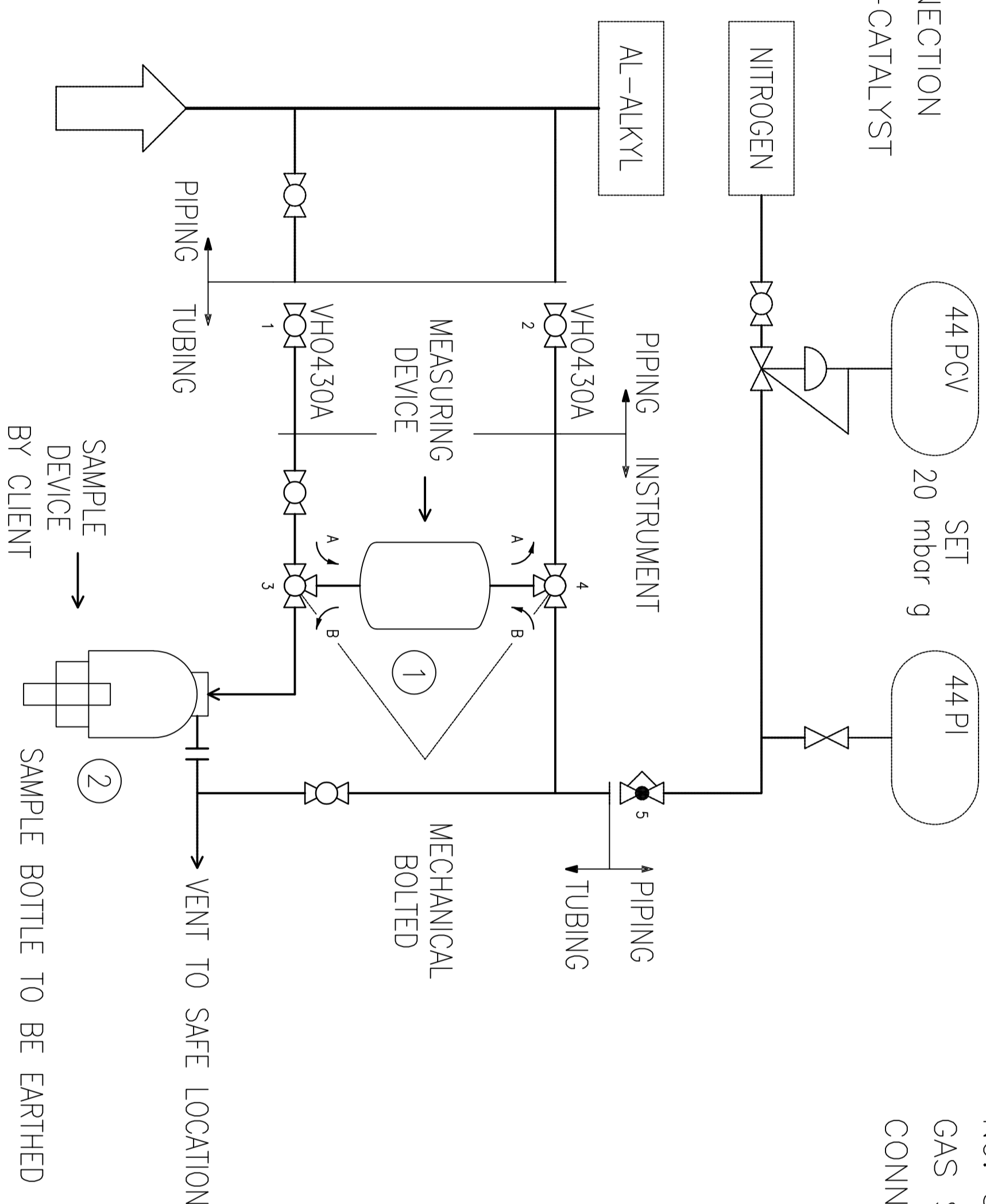
No.	SAMPLE No.	PID No.	LOCATION	MEDIUM	SAMPLE TYPE No.
1	SC5003501	50035	44V-50002-1	PE-PELLETS	No.: 4
2	SC5001001	80010	44O-80001A-1	PE-PELLETS	No.: 4
3	SC5001002	80010	44O-80001C-1	PE-PELLETS	No.: 4
4	SC5001101	80011	44O-80001B-1	PE-PELLETS	No.: 4
5	SC5001102	80011	44O-80001E-1	PE-PELLETS	No.: 4
6	SC5002001	80020	44O-80002A-1	PE-PELLETS	No.: 4
7	SC5002002	80020	44O-80002B-1	PE-PELLETS	No.: 4
8	SC5002003	80020	44O-80002C-1	PE-PELLETS	No.: 4
9	SC5002101	80021	44O-80002E-1	PE-PELLETS	No.: 4
10	SC5002102	80021	44O-80002F-1	PE-PELLETS	No.: 4
11	SC5002103	80021	44O-80002G-1	PE-PELLETS	No.: 4
12	SC5001003	80010	44O-80001E-1	PE-PELLETS	No.: 4
13	SC5001103	80011	44O-80001F-1	PE-PELLETS	No.: 4

No. 7
 SAMPLE CONNECTION
 FOR PE-POWDER



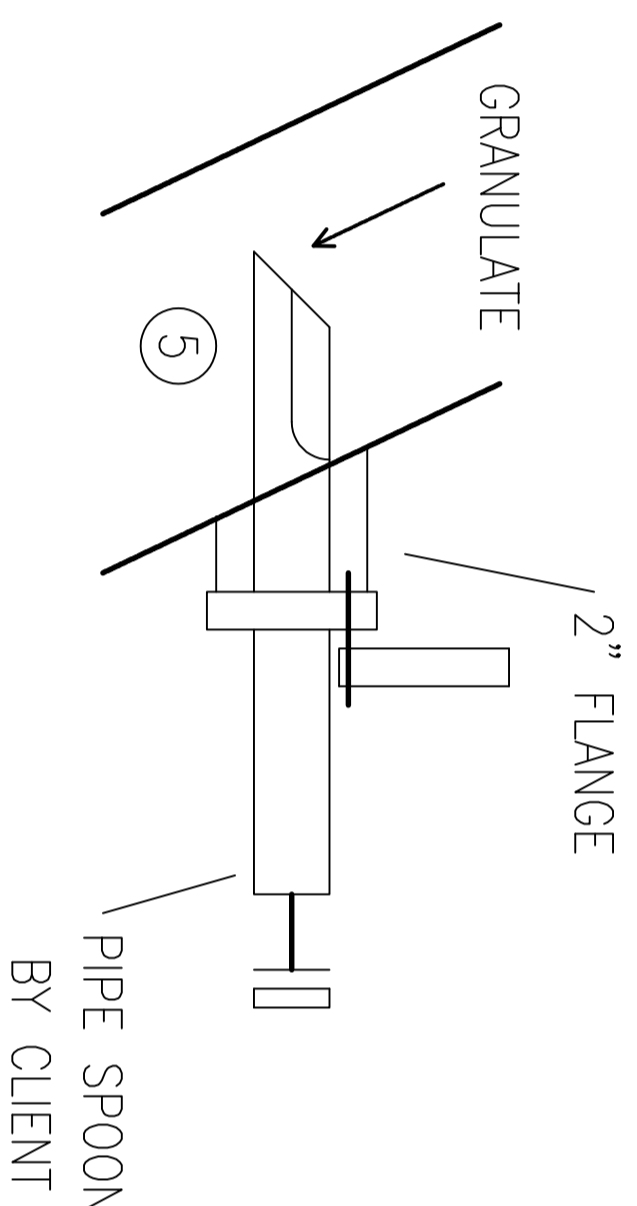
No.	SAMPLE No.	PID No.	LOCATION	MEDIUM	SAMPLE TYPE No.
1	SC5000001	40000	4000011	PE-POWDER	No.: 7
2	SC5003001	40030	4003019	PE-POWDER	No.: 7
3	SC5004001	40040	4004019	PE-POWDER	No.: 7

No. 2
 SAMPLE CONNECTION
 FOR THA CO-CATALYST



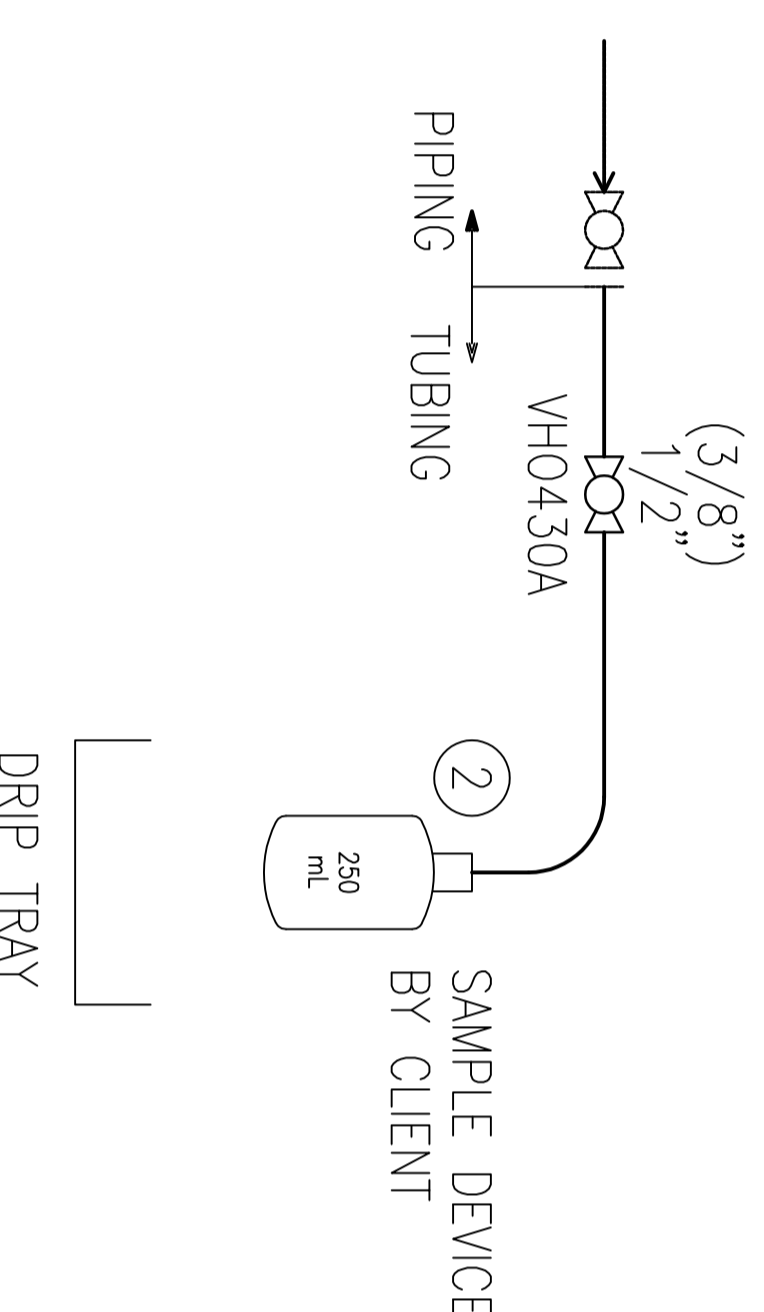
No.	SAMPLE No.	PID No.	LOCATION	MEDIUM	SAMPLE TYPE No.
1	SC7004101	10041	1004104	CO-CATALYST/REACT	No.: 2

No. 5
 SAMPLE CONNECTION
 FOR PE-GRANULATES IN
 SLOPED CONVEYING PIPE



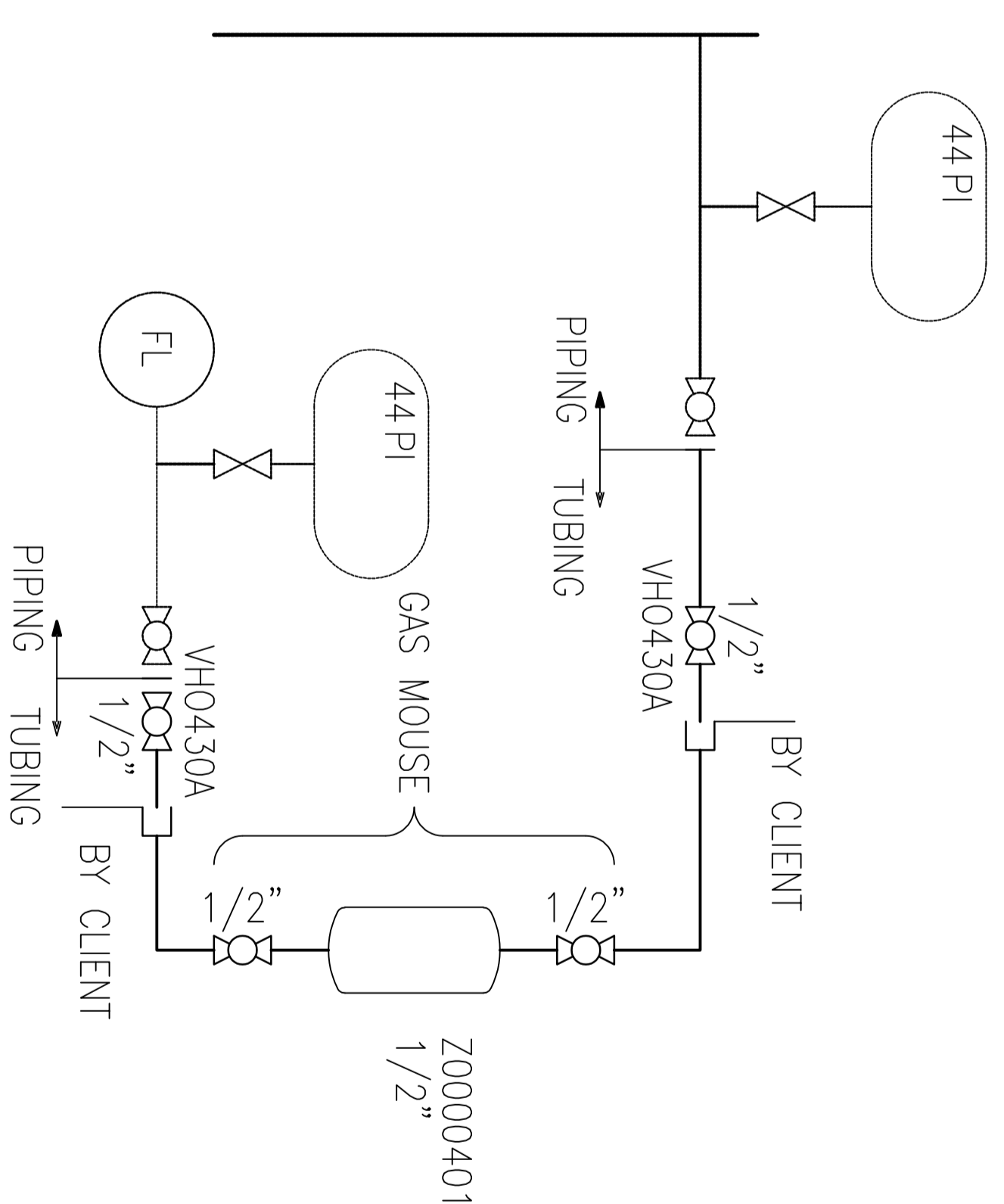
No.	SAMPLE No.	PID No.	LOCATION	MEDIUM	SAMPLE TYPE No.
1	SC5003502	50035	5003598	PE-PELLETS	No.: 5

No. 8
 SAMPLE CONNECTION
 FOR LIQUIDS



No.	SAMPLE No.	PID No.	LOCATION	MEDIUM	SAMPLE TYPE No.
1	SC7005001	10050	1005120	AMISINIC AGENT 1	No.: 8 (5/8)
2	SC5006001	20060	1006229	AMISINIC AGENT 2	No.: 8 (5/8)
3	SC7002001	70020	0001004P	HEXANE	No.: 8
4	SC7002002	70020	7006530	I-H-HEXANE	No.: 8
5	SC7003001	70030	7000024	N-H-HEXANE	No.: 8
6	SC7003002	70030	7002023	I-H-HEXANE	No.: 8
7	SC7003003	70030	7003013	HEXANE	No.: 8

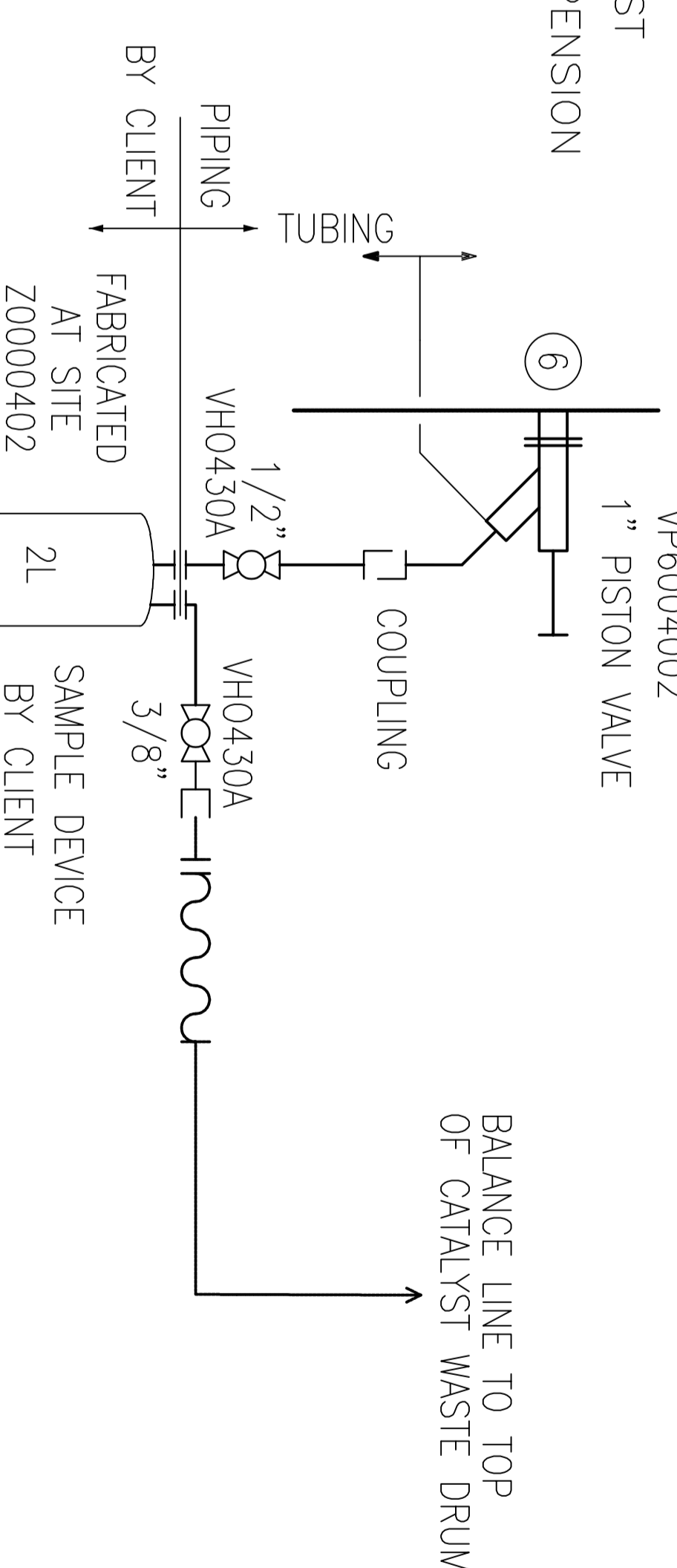
No. 3
 GAS SAMPLE
 CONNECTION



SCREWED CONNECTION OF MOUSE,
 SECURED BY PLUGS IF NOT IN USE

No.	SAMPLE No.	PID No.	LOCATION	MEDIUM	SAMPLE TYPE No.	GAS MOUSE No.
1	SC2002001	20020	2002037	CYCLE GAS	No.: 3	No.: 1, 3
2	SC2002002	20020	2002036	CYCLE GAS	No.: 3	No.: 1, 3
3	SC3001001	30010	3001026	RECOVERY GAS	No.: 3	No.: 1, 3
4	SC3001002	30010	3001004	RECOVERY GAS	No.: 3	No.: 1, 3
5	SC3001003	30010	3001012	RECOVERY GAS	No.: 3	No.: 1, 3
6	SC3004001	30040	3004016	PENEXANE	No.: 3	No.: 1, 3
7	SC3004002	30040	3004104	RETENATE	No.: 3	No.: 5
8	SC7000001	70000	0001001P	ETHENE TO PURIFICATION	No.: 3	No.: 2
9	SC7001001	70010	7001025	PURIFIED ETHENE	No.: 3	No.: 3, 1
10	SC7008001	70080	0001012P	NITROGEN	No.: 3	No.: 4
11	SC7008011	70081	7008127	PURE NITROGEN	No.: 3	No.: 5

No. 6
 SAMPLE CONNECTION
 FOR CATALYST
 WASTE SUSPENSION



No.	SAMPLE No.	PID No.	LOCATION	MEDIUM	SAMPLE TYPE No.	REMARK
1	SC6004001	60040	6004007	CAT. WASTE SUSPENSION	No.: 6	SPECIAL EQUIPMENT FROM RING

- GENERAL NOTES
- 1- MEASURING DEVICE SMALLER THAN SAMPLE DEVICE. OVERRIDING PROTECTION.
 - 2- USE BLIND PLUG AFTER DISCONNECTING SAMPLE DEVICE.
 - 3- DIRECTLY CONNECTED.
 - 4- PN FLUSHING CONNECTED.
 - 5- SAMPLE SPOON COVERS COMPLETE DIAMETER OF SLOPED CONVEYING LINE.
 - 6- INSTALL IN SLOPED PART OF CATALYST WASTE DRUM DISCHARGE LINE.

REFERENCE DRAWINGS	DWG.No.
xxxx	xxxx

LEGEND

RESULT CODE	AP	AI	CO	RE	RESUBMISSION DATE:
NEW STATUS:	<input type="checkbox"/> IPI	<input type="checkbox"/> IFA	<input type="checkbox"/> AFC	<input type="checkbox"/> ASBRIN	

Approval or review hereunder shall not be construed to relieve Vendor/ Subcontractor of the responsibility and liability under the Contract.

PROJECT: 300 KT POLYETHYLENE PLANT
 ARYA SASOL POLYMER COMPANY (ASPC)

CONTRACTOR: ISBDCO

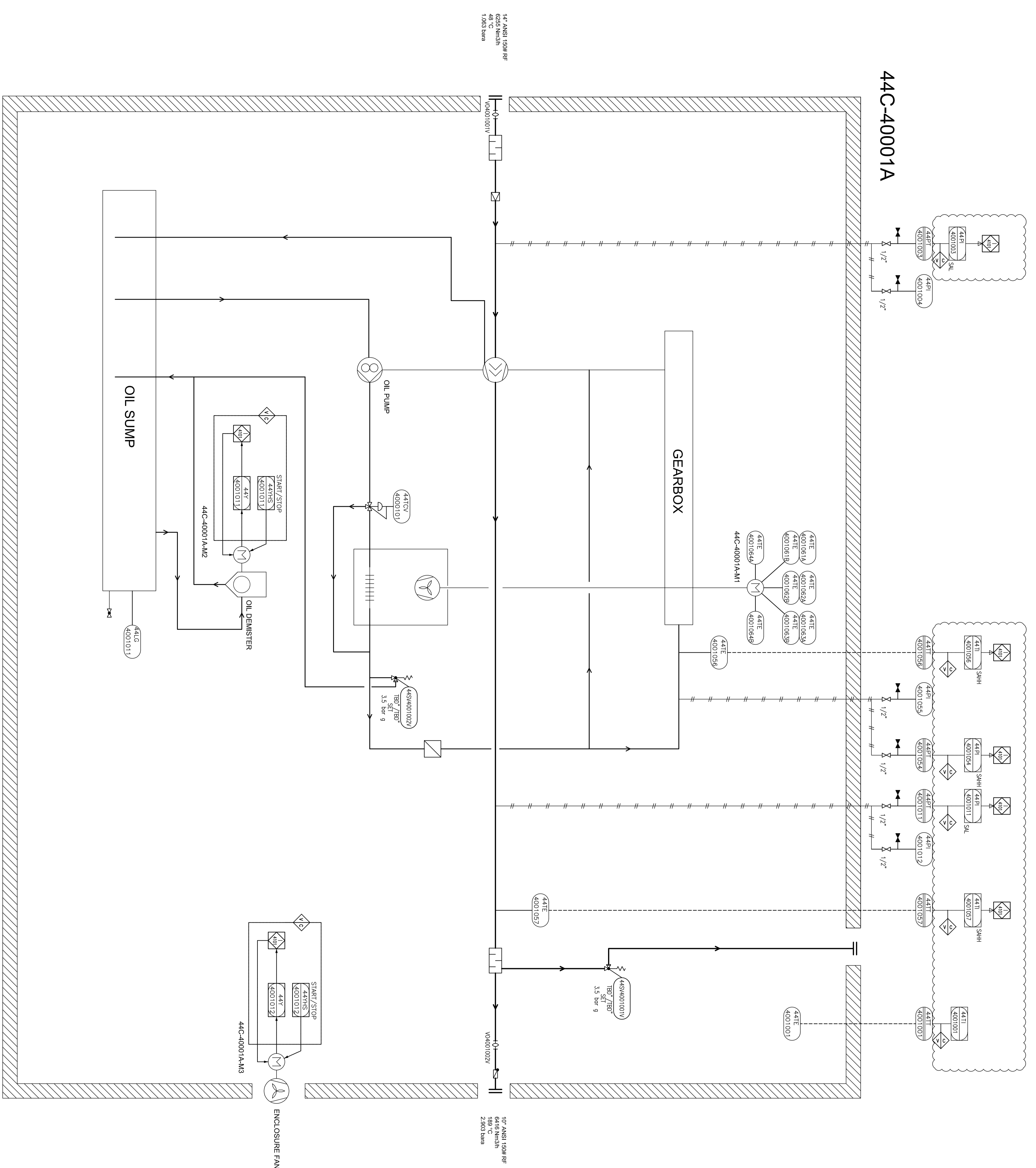
VENDOR: DYPNF

DRAWING TITLE: Piping & INSTRUMENTATION DIAGRAM 00004
 LEGEND AND SYMBOLS 3
 SAMPLE TAKING DEVICE

OWNER: ARYA SASOL POLYMER COMPANY

SCALE: NONE SIZE: A0 SHEET NO. 3 OF 14 REV. 00

LEGEND	
DETAIL	



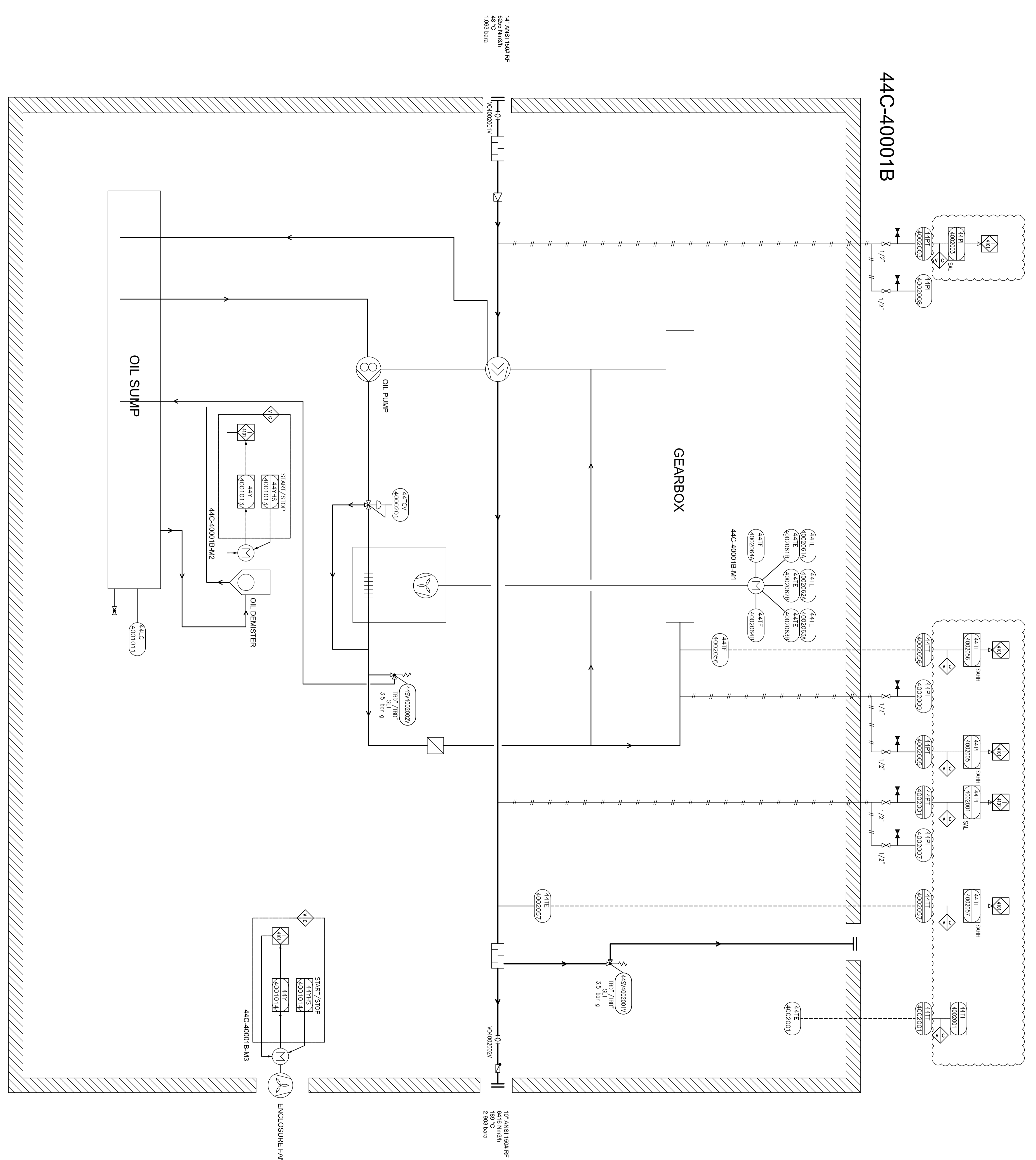
ITEM	44C-40001A	44M-40001A
DESCRIPTION	Blower	Main Motor
TECHNICAL DATA	Outlet Capacity: 6416 Nm ³ /h Inlet/Outlet Pressure: 1.053/2.003 Bar Inlet/Outlet Temp: 49/109 °C Gen. Motor Guaranteed capacity: 6255 Nm ³ /h	Rated Power: 440 kW Speed: 2985 rpm / 50Hz / 3ph Power: 58992.6kW / 50Hz / 3ph

OWNER PROJECT NO.	VENDOR DWG. NO.	MAR. NO.	VENDOR CODE	DISCIPLINE	UNIT	TYPE	SEQ.
3944	V0	0171	DPP	RE	400	P0	0016
SCALE:	NONE	SIZE:	A0	SHEET NO.	4	OF	14
REV.		REV.		REV.		REV.	

FILE REF.: 23983-03 P&ID.dwg

THIS DOCUMENT WITH ALL ITS RIGHTS IS THE PROPERTY OF A.S.P.C AND MUST BE HELD IN CONFIDENCE. NO DISCLOSURE, REPRODUCTION OR OTHER USE OF THE DOCUMENT IN WHOLE OR A PORTION IS TO BE MADE WITHOUT THE PRIOR CONSENT OF A.S.P.C

LEGEND	
DETAIL	



ITEM	44C-40001B	44M-40001B
DESCRIPTION	Blower	Main Motor
TECHNICAL DATA	Outlet Capacity: 6416 Nm ³ /h Inlet/Outlet Pressure: 1.053/2.903 Bar Inlet/Outlet Temp: 49/109 °C Gas: Nitrogen Guaranteed capacity: 6225 Nm ³ /h	Rated Power: 440 kW Speed: 2988 rpm / 50Hz / 3ph Power: 58992.6kW / 50Hz / 3ph

OWNER PROJECT NO.	VENDOR DWG. NO.	MR. NO.	VENDOR CODE	DISCIPLINE	UNIT	TYPE	SECT.
3944	V0	0171	DPP	RE	400	P0	10016
SCALE:	NONE	SIZE:	A0	SHEET NO.	5	OF	14
REV.		REV.		REV.		REV.	
02	08/Nov/25	ISSUE FOR APPROVAL	SC	KP	JJ		
01	27/Feb/25	ISSUE FOR APPROVAL	SC	KP	JJ		
00	11/Feb/25	ISSUE FOR APPROVAL	SC	KP	JJ		
REV. DATE		PURPOSE OF ISSUE (P.O.I)	PREP.	CHKD.	APPR.		
OWNER:							

PROJECT: 300 KT POLYETHYLENE PLANT
 ARYA SASOL POLYMER COMPANY (ASPC)

CONTRACTOR: ISBDCO

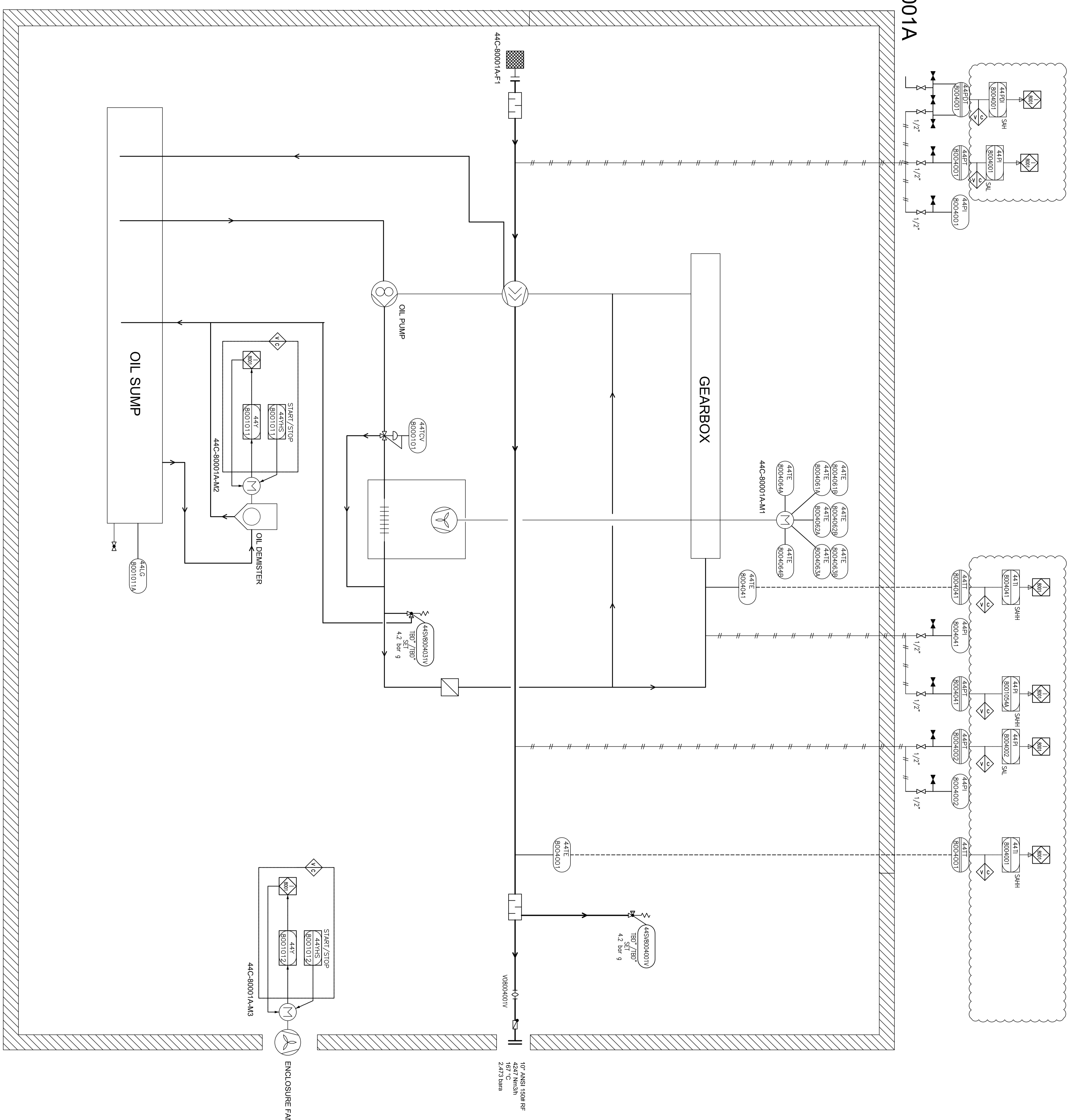
VENDOR: SAZEH CONSULTANTS, DYPNF

DRAWING TITLE: PIPING & INSTRUMENTATION DIAGRAM
 PNEUMATIC CONVERTING SYSTEM 44C-40001B

OWNER DOC. NO.

THIS DOCUMENT WITH ALL ITS RIGHTS IS THE PROPERTY OF A.S.P.C AND MUST BE HELD IN CONFIDENCE. NO DISCLOSURE, REPRODUCTION OR OTHER USE OF THE DOCUMENT IN WHOLE OR A PORTIONS TO BE MADE WITHOUT THE PRIOR CONSENT OF A.S.P.C

LEGEND	
DETAIL	



ITEM	44C-80001A	44M-80001A
DESCRIPTION	Blower	Main Motor
TECHNICAL DATA	Outlet Capacity: 42.7 Nm ³ /h Inlet/Outlet Pressure: 1.013/2.473 Bar Inlet/Outlet Temp: 49/101 °C Gas: Air Guaranteed capacity: 41.75 Nm ³ /h	Rated Power: 250 kW Speed: 2980 rpm / 50Hz / 3ph Power: 58895.6W / 50Hz / 3ph

OWNER PROJECT NO.	VENDOR DWG. NO.	MAR. NO.	VENDOR CODE/DESCRIPTION	UNIT TYPE	SECT.
3944	V0	0180	DPP	800	P01 0016
SCALE:	NONE	SIZE:	A0	SHEET NO.	6 OF 14
REV.	02	REV.	02		

PROJECT: 300 KT POLYETHYLENE PLANT
 ARYA SASOL POLYMER COMPANY (ASPC)

CONTRACTOR: ISBDCO
 SAZEH CONSULTANTS

VENDOR: DYPNF

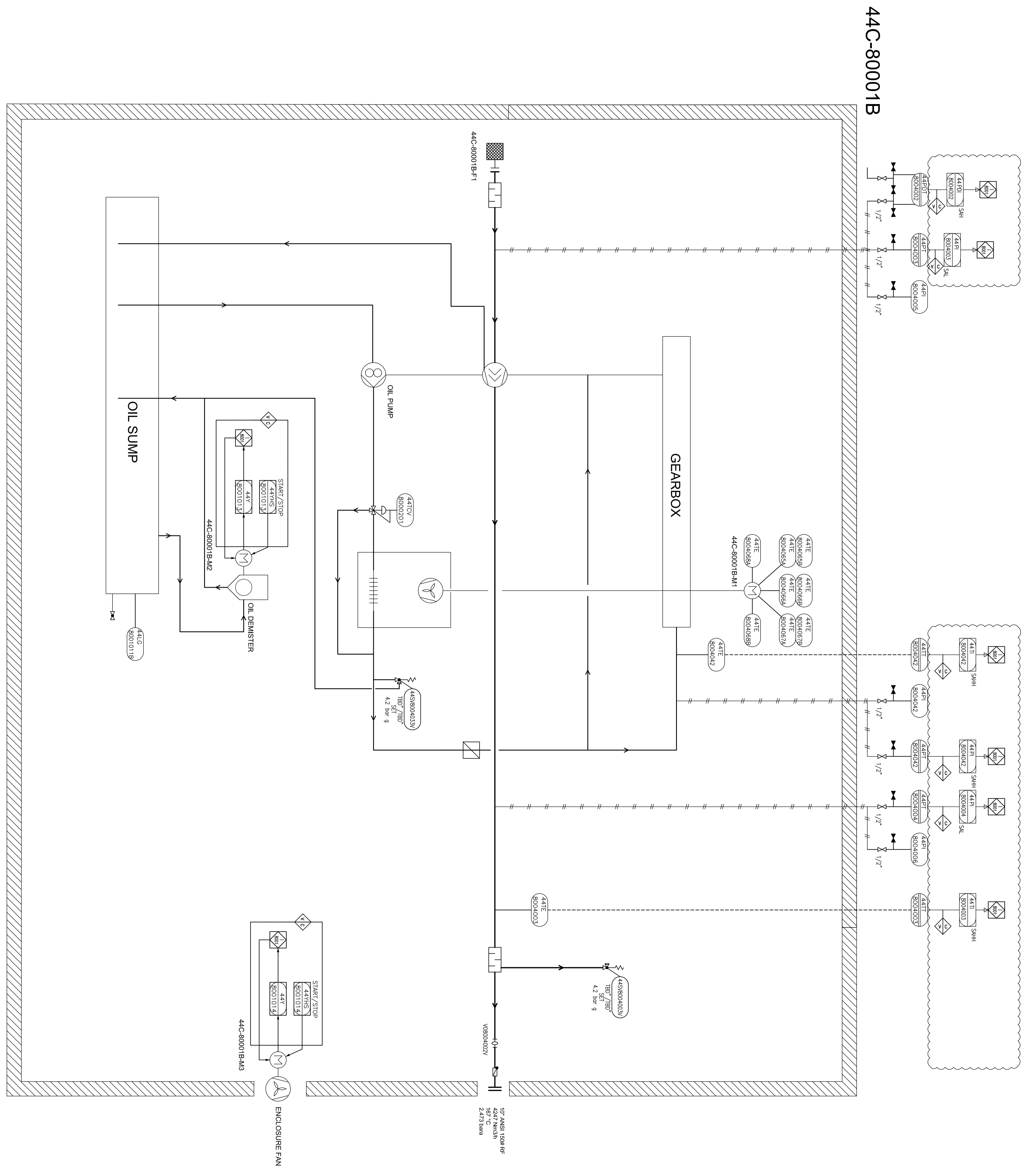
DRAWING TITLE: PIPING & INSTRUMENTATION DIAGRAM
 PNEUMATIC CONVERTING SYSTEM 44C-80001A

OWNER: ARYA SASOL POLYMER COMPANY

OWNER DOC. NO.

DATE: 02/08/25
 01/27/25
 00/11/25

PURPOSE OF ISSUE: (P.O.I.)
 PREP. CHKD. APPR.



ITEM	44C-80001B	44M-80001B
DESCRIPTION	Blower	Main Motor
TECHNICAL DATA	Outlet Capacity: 42.7 Nm ³ /h Inlet/Outlet Pressure: 1.013/2.413 Bar Inlet/Outlet Temp: 49/101 °C Gas: Air Guaranteed capacity: 41.75 Nm ³ /h	Rated Power: 250 kW Speed: 2980 rpm / 50Hz / 3h Power: 35892.6kW / 50Hz / 3h

NO.	DATE	DESCRIPTION	BY	CHKD	APPD
02	08/Apr/25	ISSUE FOR APPROVAL	SC	KP	JJ
01	27/Feb/25	ISSUE FOR APPROVAL	SC	KP	JJ
00	11/Feb/25	ISSUE FOR APPROVAL	SC	KP	JJ
REV.	DATE	PURPOSE OF ISSUE (P.O.I)	PREP.	CHKD.	APPD.
OWNER:					

PROJECT: 300 KT POLYETHYLENE PLANT
 ARYA SASOL POLYMER COMPANY (ASFC)

CONTRACTOR: ISBDCO

OWNER: DYPNF

DRAWING TITLE: PIPING & INSTRUMENTATION DIAGRAM
 PNEUMATIC CONVERTING SYSTEM 44C-80001B

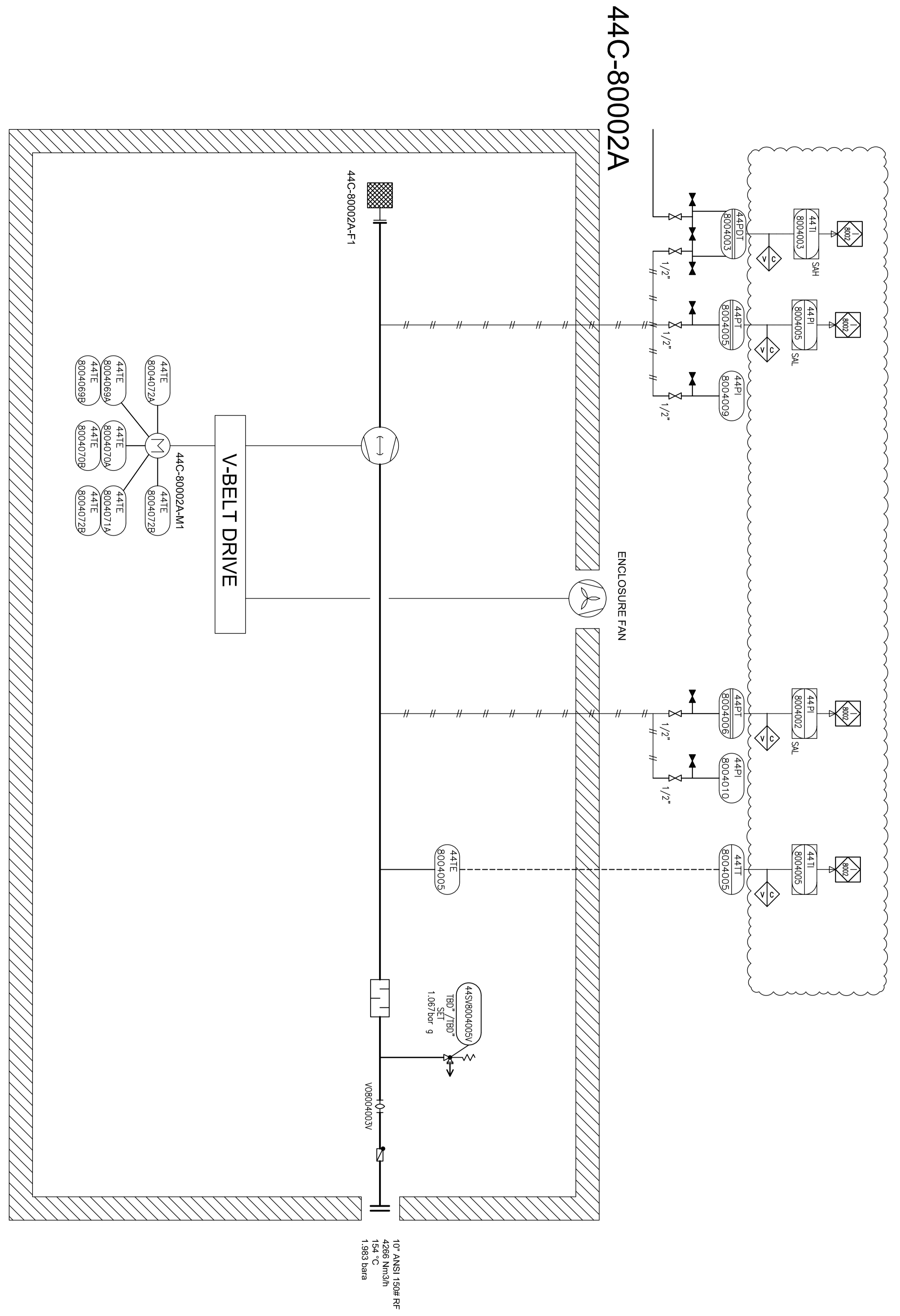
OWNER DOC. NO. 3944

SCALE: NONE

SHEET NO. 7 OF 14

THIS DOCUMENT WITH ALL ITS RIGHTS IS THE PROPERTY OF A.S.P.C AND MUST BE HELD IN CONFIDENCE. NO DISCLOSURE, REPRODUCTION OR OTHER USE OF THE DOCUMENT IN WHOLE OR A PORTIONS TO BE MADE WITHOUT THE PRIOR CONSENT OF A.S.P.C

LEGEND	
DETAIL	



ITEM	44C-80002A	44M-80002A
DESCRIPTION	Blower	Main Motor
TECHNICAL DATA	Outlet Capacity: 4256 Nm ³ /h Inlet/Outlet Pressure: 1.03/1.183 bara Inlet/Outlet Temp: 49/124 °C Gas: Air Guaranteed capacity: 4257 Nm ³ /h	Rated Power: 250 kW Speed: 1488 rpm / 50Hz / 30n Power: 38975.6kW / 50Hz / 30n

PROJECT: 300 KT POLYETHYLENE PLANT
 ARYA SASOL POLYMER COMPANY (ASPC)

CONTRACTOR: SAZEH CONSULTANTS

VENDOR: DYPNF

DRAWING TITLE: PIPING & INSTRUMENTATION DIAGRAM
 PNEUMATIC CONVEYING TRANSPORT 44C-80002A

OWNER PROJECT NO.	VENDOR DWG. NO.	MAR. NO.	VENDOR CODE	DISCIPLINE	UNIT	TYPE	SEQ.
3944	V0	0180	DYP	RE	800	P00	0016

SCALE: NONE SIZE: A0 SHEET NO. 8 OF 14 REV. 02

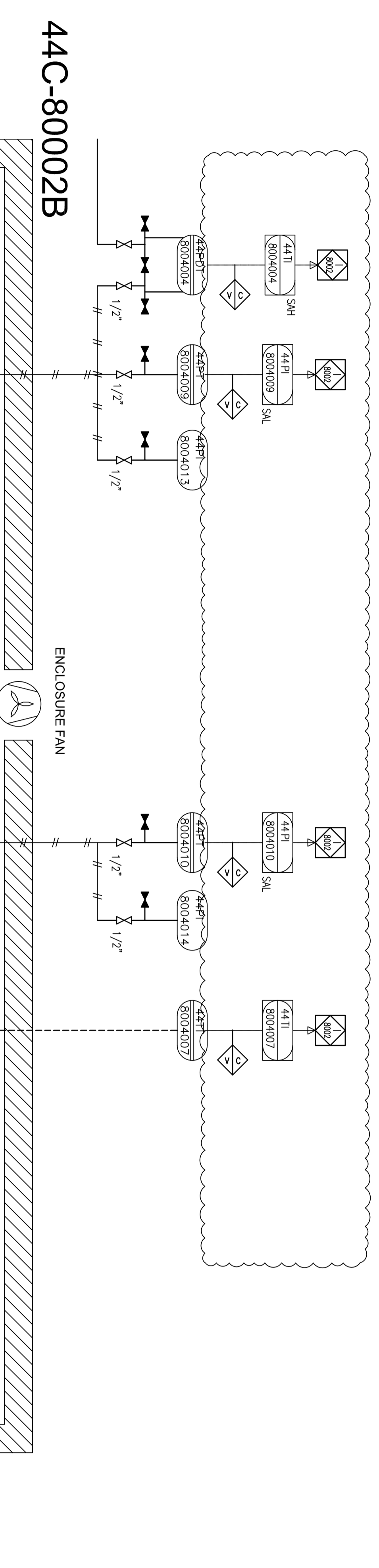
OWNER: ARYA SASOL POLYMER COMPANY

REVISIONS:

02	08/Nov/25	ISSUE FOR APPROVAL	SC	KP	JJ
01	27/Feb/25	ISSUE FOR APPROVAL	SC	KP	JJ
00	11/Feb/25	ISSUE FOR APPROVAL	SC	KP	JJ

PURPOSE OF ISSUE (P.O.I): PREP. CHHD. APPR.

OWNER:



ITEM	44C-80002B	44M-80002B
DESCRIPTION	Blower	Main Motor
TECHNICAL DATA	Outlet Capacity: 4268 Nm ³ /h Inlet/Outlet Pressure: 1.013/1.063 Bara Inlet/Outlet Temp: 49/124 °C Outlet Gas: Air Guaranteed capacity: 4257 Nm ³ /h	Rated Power: 250 kW Speed: 1488 rpm / 50Hz / 30n Power: 500V/3, 60A / 50Hz / 30n

OWNER PROJECT NO.	VENDOR DWG. NO.	MAR. NO.	VENDOR CODE	DISCIPLINE	UNIT	TYPE	SECT.
3944	V0	0180	DYP	RE	800	P0	100/6

SCALE:	SIZE:	SHEET NO.	REV.
NONE	A0	9 OF 14	02

PROJECT: 300 KT POLYETHYLENE PLANT
 ARYA SASOL POLYMER COMPANY (ASPC)

CONTRACTOR: SAZEH CONSULTANTS

VENDOR: DYPNF

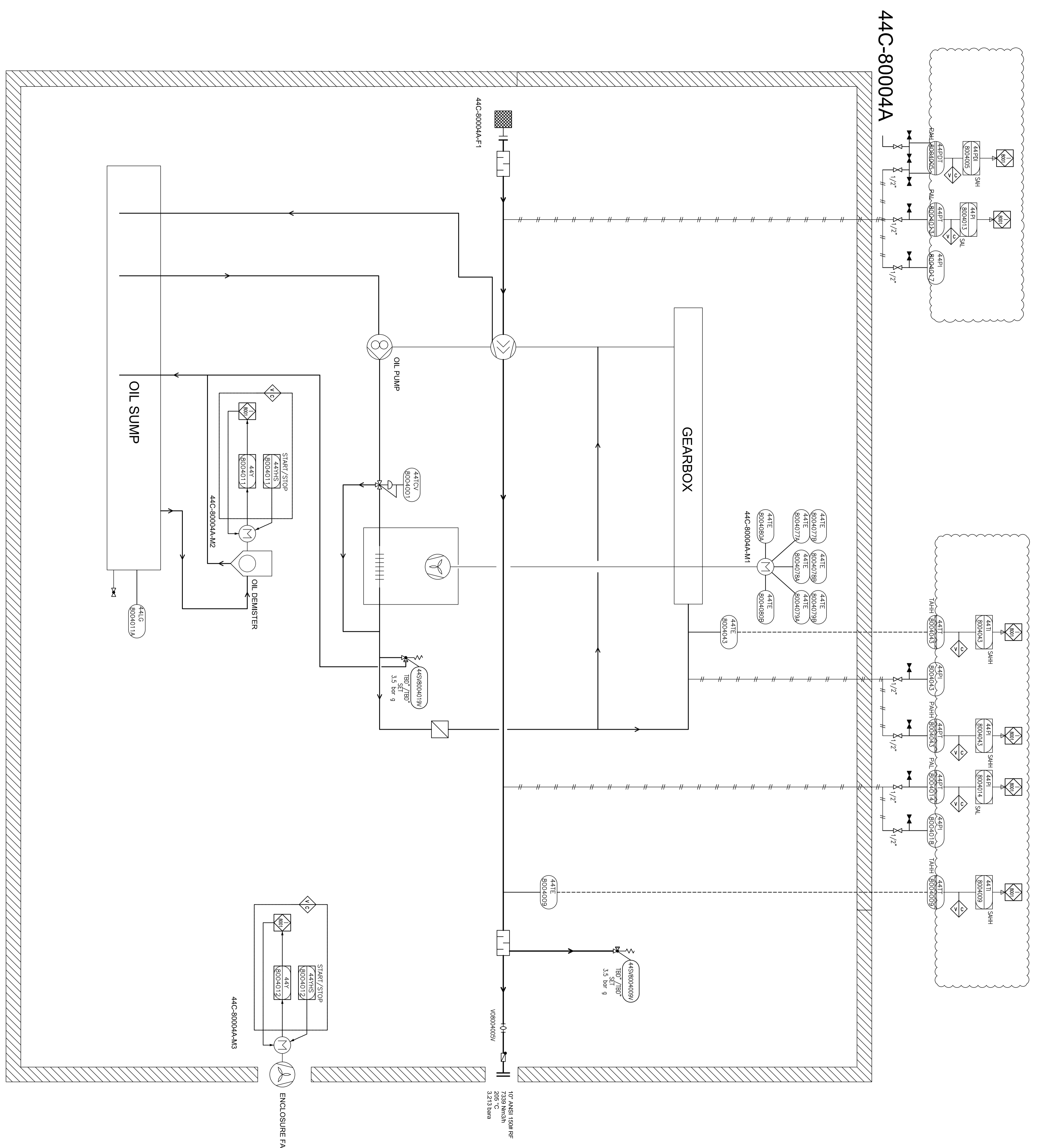
DRAWING TITLE: PIPING & INSTRUMENTATION DIAGRAM
 PNEUMATIC CONVERTING SYSTEM 44C-80002B

OWNER: ARYA SASOL POLYMER COMPANY

REV.	DATE	PURPOSE OF ISSUE (P.O.I)	PREP.	CHKD.	APPR.
02	18/04/25	ISSUE FOR APPROVAL	SC	KP	JJ
01	27/04/25	ISSUE FOR APPROVAL	SC	KP	JJ
00	11/04/25	ISSUE FOR APPROVAL	SC	KP	JJ

THIS DOCUMENT WITH ALL ITS RIGHTS IS THE PROPERTY OF A.S.P.C AND MUST BE HELD IN CONFIDENCE. NO DISCLOSURE, REPRODUCTION OR OTHER USE OF THE DOCUMENT IN WHOLE OR A PORTIONS TO BE MADE WITHOUT THE PRIOR CONSENT OF A.S.P.C

LEGEND	
DETAIL	

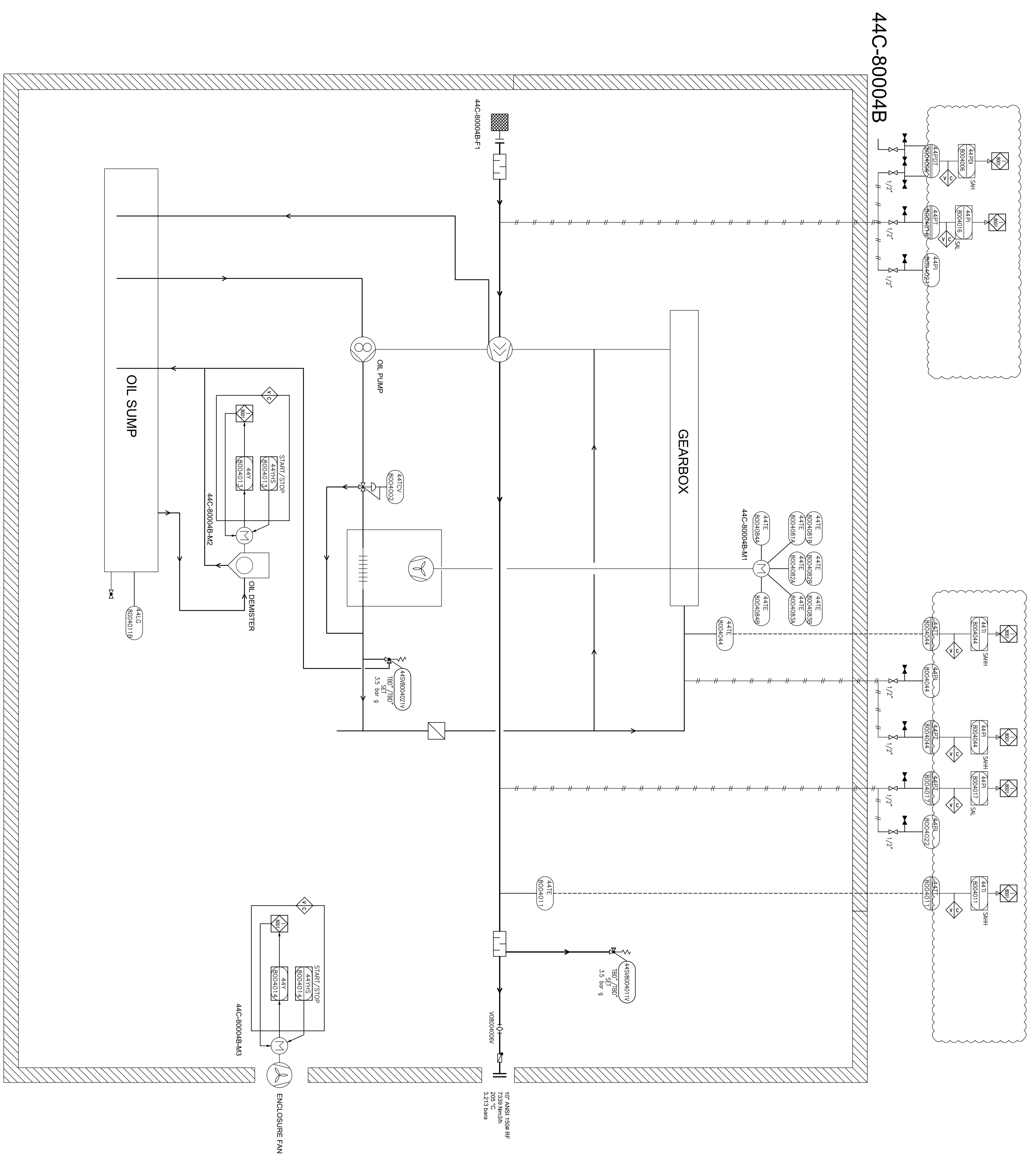


ITEM	44C-80004A	44M-80004A
DESCRIPTION	Blower	Main Motor
TECHNICAL DATA	Outlet Capacity: 7139 Nm ³ /h Inlet/Outlet Pressure: 1.013/213 Bar Inlet/Outlet Temp: 49/252 °C Gas: Air Guaranteed capacity: 7139 Nm ³ /h	Rated Power: 500 kW Speed: 2955 rpm / 50Hz / 3h Power: 500kW, 6h / 50Hz / 3h

PROJECT:	300 KT POLYETHYLENE PLANT ARYA SASOL POLYMER COMPANY (ASPC)
M/C:	ISBDCO SAZEH DYPNF
CONTRACTOR:	SAZEH DYPNF
DRAWING TITLE:	PIPING & INSTRUMENTATION DIAGRAM PNEUMATIC CONVERTING SYSTEM 44C-80004A
OWNER PROJECT NO./VENDOR DWG. NO.	3944 / V0
OWNER CODE/DESCRIPTION	0180 / DYP
DATE	02
SCALE:	NONE
SIZE:	A0
SHEET NO. OF	14
REV.	02

THIS DOCUMENT WITH ALL ITS RIGHTS IS THE PROPERTY OF A.S.P.C AND MUST BE HELD IN CONFIDENCE. NO DISCLOSURE, REPRODUCTION OR OTHER USE OF THE DOCUMENT IN WHOLE OR A PORTIONS TO BE MADE WITHOUT THE PRIOR CONSENT OF A.S.P.C

LEGEND	
DETAIL	

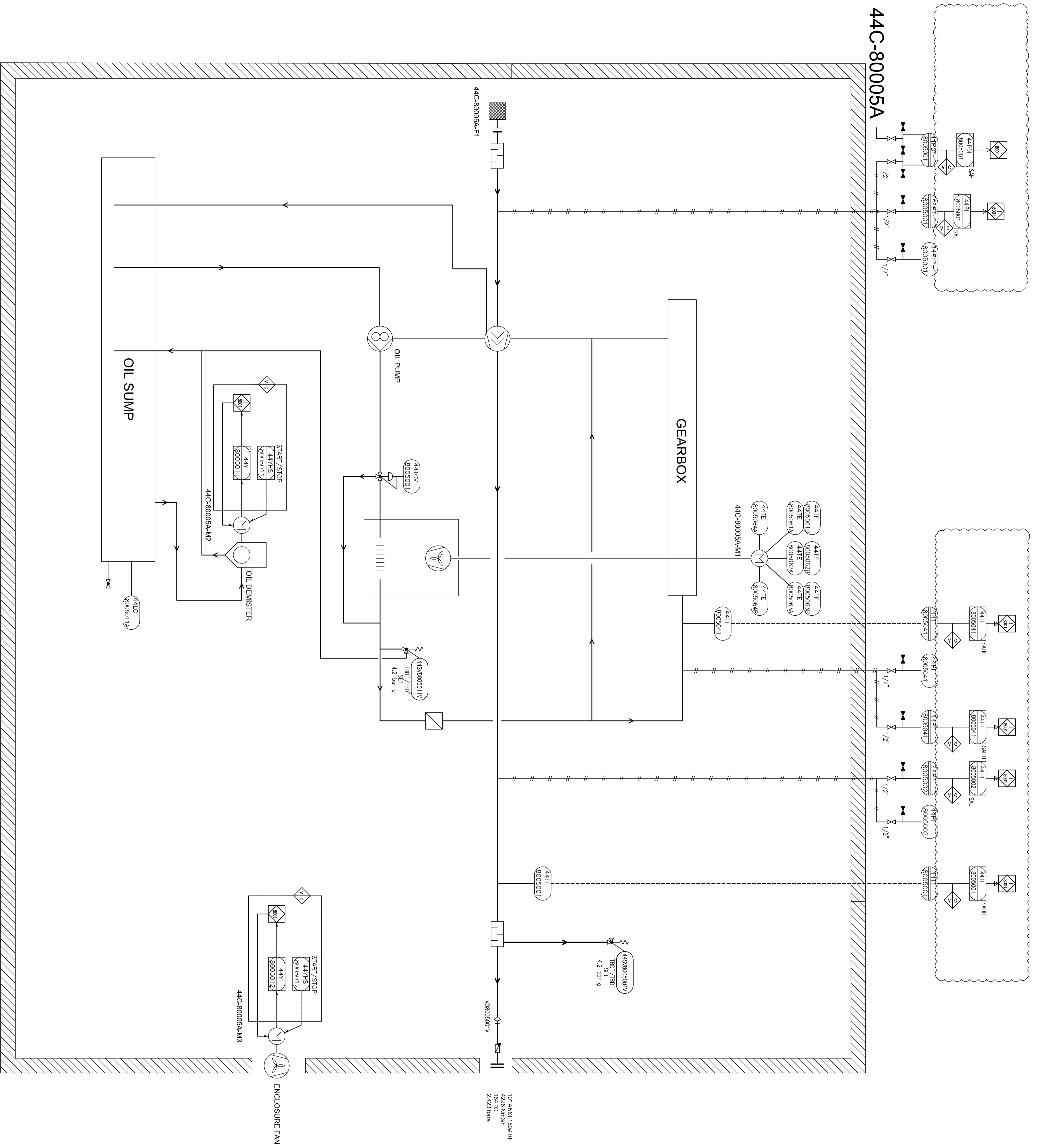


ITEM	44C-80004B	44M-80004B
DESCRIPTION	Blower	Main Motor
TECHNICAL DATA	Outlet Capacity: 7339 Nm ³ /h Inlet/Outlet Pressure: 1.0/3.2/3.13 Bar Speed: 2855 rpm / 50Hz / 50h Motor Power: 500 kW Inlet Temp: 49/205 °C Outlet Temp: 49/205 °C Gear Oil: 46	Rated Power: 500 kW Power: 500kW, 60A / 50Hz / 50h
	Guaranteed Capacity: 7185 Nm ³ /h	

PROJECT:	300 KT POLYETHYLENE PLANT ARYA SASOL POLYMER COMPANY (ASPC)
M/C:	ISBDCO SAZEH DYPNF
CONTRACTOR:	SAZEH DYPNF
DRAWING TITLE:	PIPING & INSTRUMENTATION DIAGRAM PNEUMATIC CONVERTING SYSTEM 44C-80004B
OWNER PROJECT NO./VENDOR DWG. NO.	3944 / V0
OWNER CODE/DISCIPLINE	0180 / DYP
DATE	08/2016
SCALE:	NONE
SIZE:	A0
SHEET NO.	11 OF 14
REV.	02

THIS DOCUMENT WITH ALL ITS RIGHTS IS THE PROPERTY OF A.S.P.C AND MUST BE HELD IN CONFIDENCE. NO DISCLOSURE, REPRODUCTION OR OTHER USE OF THE DOCUMENT IN WHOLE OR A PORTIONS TO BE MADE WITHOUT THE PRIOR CONSENT OF A.S.P.C

LEGEND	
DETAIL	



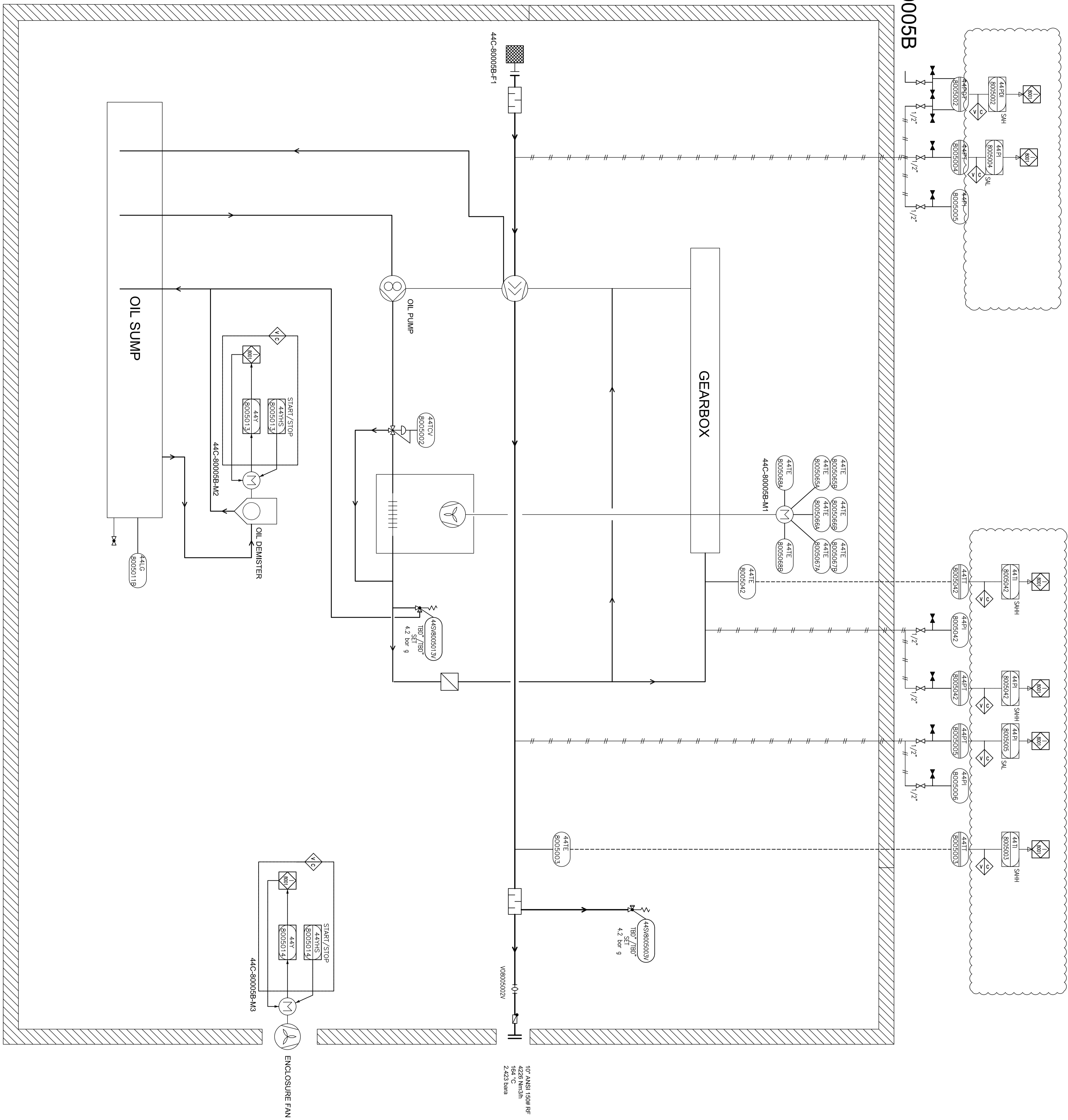
ITEM	44C-80005A	44M-80005A
DESCRIPTION	Blower	Main Motor
TECHNICAL DATA	Outlet Capacity: 4226 Nm ³ /h Inlet/Outlet Pressure: 1.013/2.423 Bar Speed: 2880 rpm / 59Hz / 3m Inlet/Outlet Temp: 49/124 °C Gas: Air Guaranteed capacity: 4095 Nm ³ /h	Rated Power: 250 kW Power: 250kW, 60V / 50Hz / 3m

PROJECT:	300 KT POLYETHYLENE PLANT ARYA SASOL POLYMER COMPANY (ASPC)
M/C:	ISBDCO SAZEH DYPNF
CONTRACTOR:	SAZEH DYPNF
DRAWING TITLE:	PIPING & INSTRUMENTATION DIAGRAM PNEUMATIC CONVERTING SYSTEM 44C-80005A
OWNER PROJECT NO./VENDOR DWG. NO.	3944 / V0
OWNER CODE/DESCRIPTION	0180 / DYP
DATE	02/08/25
SCALE:	NONE
SIZE:	A0
SHEET NO.	12 OF 14
REV.	02

THIS DOCUMENT WITH ALL ITS RIGHTS IS THE PROPERTY OF A.S.P.C AND MUST BE HELD IN CONFIDENCE. NO DISCLOSURE, REPRODUCTION OR OTHER USE OF THE DOCUMENT IN WHOLE OR A PORTIONS TO BE MADE WITHOUT THE PRIOR CONSENT OF A.S.P.C

1 - -

44C-80005B



ITEM	44C-80005B	44M-80005B
DESCRIPTION	Blower	Main Motor
TECHNICAL DATA	Outlet Capacity: 4226 Nm ³ /h Inlet/Outlet Pressure: 1.013/2.423 Bar Inlet/Outlet Temp: 49/104 °C Gas: Air Guaranteed capacity: 4026 Nm ³ /h	Rated Power: 250 kW Power: 250kW, 60V / 50Hz / 3Ph

OWNER PROJECT NO.	VENDOR DWG. NO.	MAR. NO.	VENDOR CODE	DISCIPLINE	UNIT	TYPE	SEQ.
3944	V0	0180	DPP	RE	800	P0	0016

SCALE: NONE SIZE: A0 SHEET NO. 13 OF 14 REV. 02

REV.	DATE	PURPOSE OF ISSUE (P.O.I)	PREP.	CHKD.	APPR.
02	08/Mar/25	ISSUE FOR APPROVAL	SC	KP	JJ
01	27/Feb/25	ISSUE FOR APPROVAL	SC	KP	JJ
00	11/Feb/25	ISSUE FOR APPROVAL	SC	KP	JJ

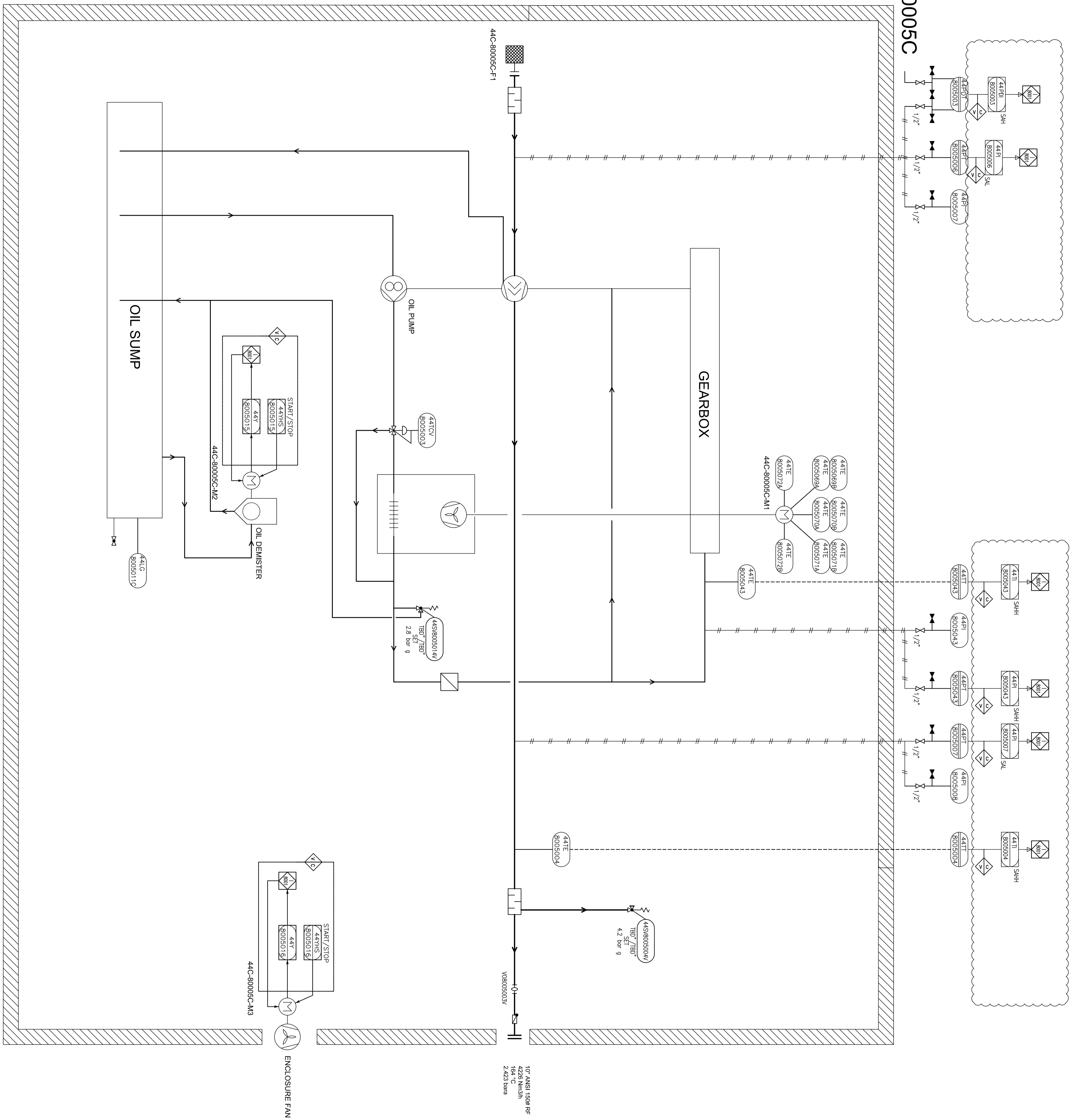
PROJECT: 300 KT POLYETHYLENE PLANT
 ARYA SASOL POLYMER COMPANY (ASPC)

CONTRACTOR: ISBDCO
 SAZEH CONSULTANTS

VENDOR: DYPNF

DRAWING TITLE: PIPING & INSTRUMENTATION DIAGRAM
 PNEUMATIC CONVERTING SYSTEM 44C-80005B

LEGEND	
DETAIL	



ITEM	44C-80005C	44M-80005C
DESCRIPTION	Blower	Main Motor
TECHNICAL DATA	Outlet Capacity: 4226 Nm ³ /h Inlet/Outlet Pressure: 1.013/2.423 Bar Inlet/Outlet Temp: 49/104 °C Motor Power: 35000 W Guaranteed capacity: 4026 Nm ³ /h	Rated Power: 250 kW Speed: 2980 rpm / 50Hz / 3ph

PROJECT:	300 KT POLYETHYLENE PLANT ARYA SASOL POLYMER COMPANY (ASPC)
M/C:	ISBDCO SAZEH DYPNF
CONTRACTOR:	SAZEH DYPNF
DRAWING TITLE:	PIPING & INSTRUMENTATION DIAGRAM PNEUMATIC CONVERTING SYSTEM 44C-80005C
OWNER PROJECT NO./VENDOR DWG. NO.	3944 / V0
OWNER CODE / DISCIPLINE / UNIT / TYPE / SEQ.	0180 / DYP / RE / 800 / P0 / 0016
SCALE:	NONE
SIZE:	A0
SHEET NO.	14 OF 14
REV.	02

THIS DOCUMENT WITH ALL ITS RIGHTS IS THE PROPERTY OF A.S.P.C AND MUST BE HELD IN CONFIDENCE. NO DISCLOSURE, REPRODUCTION OR OTHER USE OF THE DOCUMENT IN WHOLE OR A PORTIONS TO BE MADE WITHOUT THE PRIOR CONSENT OF A.S.P.C

FILE REF.: 23983-03 P&ID.dwg