



ASPC Project



END CUSTOMER	: Arya Sasol Polymer Company
CONTRACTOR	: DYPNF Co., Ltd.
VENDOR NAME	: Airpack Netherlands BV
EQUIPMENT DESCRIPTION	: Screw Compressor & Roots Blower : Package
PURCHASE ORDER NUMBER	: PO-PC2312-08

Customer Document : 3944-VD-0171-DYP-RE-400-DWG-0003
Number

Airpack Document Number : 23383-07

Document Title : Panel Layout Drawing

Review Code and Status		Contractor Initials/Signature	Date signed
<input type="checkbox"/>	Code 1 REJECTED - Vendor to revise and Resubmit. Work cannot proceed		
<input type="checkbox"/>	Code 2 Comments As Noted - Work May proceed, subject to compliance with and incorporation of comments		
<input type="checkbox"/>	Code 3 No Comments - Work may proceed.		
<input type="checkbox"/>	Code 4 Information only - Review not required.		

05	Issued for Approval	23-01-2026	RT	SC	JJ
04	Issued for Approval	20-11-2025	RT	SC	JJ
03	Issued for Approval	03-09-2025	RT	SC	JJ
02	Issued for Approval	16-07-2025	RT	SC	JJ
Rev. No.	Description	Date	Prepared by	Checked by	Approved by

No.	Description	Tag Number	Make	Model	Qty.
1	Running Indication Lamp (Green)	3H4	TBD	TBD	1
2	Fault Indication Lamp (Amber)	3H6	TBD	TBD	1
3	Start Pushbutton (Green)	2S4	TBD	TBD	1
4	Stop Pushbutton (Red)	2S6	TBD	TBD	1
5	Lamp Test Pushbutton (Black)	2S8	TBD	TBD	1
Terminal Strip Definition					
X1	Connection Pushbuttons & Lamps	X1	Phoenix Contact	3211760	21

GENERAL NOTES

NOTES
1. BILL OF MATERIALS (BOM) AS PER THE LATEST WIRING DIAGRAM.

REF DRAWINGS	DWG.No.
Wiring Diagram	3944-VD-0171-DYP-RE-400-DIA-0002
I/O List	3944-VD-0171-DYP-RE-400-LST-0080
E&I System Config Diag.	3944-VD-0171-DYP-RE-400-DIA-0078

LEGEND

RESULT CODE: AP AN CO RE

NEXT STATUS: IFI IFA AFC ASB/IFIN

Approval or review hereunder shall not be construed to relieve Vendor/ Subcontractor of his responsibilities and liability under the Contract.

P.O. NO.:
M.R. NO.:
ITEM NO. (EQUIPMENT NO.):
VENDRO JOB NO.:

REV.	DATE	PURPOSE OF ISSUE (P.O.I.)	PREP.	CHKD.	APPR.	AC.
05	23/Jan/25	ISSUED FOR APPROVAL	RT	RB	SC	-
04	31/Oct/25	ISSUED FOR APPROVAL	RT	RB	SC	-
03	26/Aug/25	ISSUED FOR APPROVAL	RT	RB	SC	-
02	16/Jul/25	ISSUED FOR APPROVAL	RT	RB	SC	-
01	25/Apr/25	ISSUED FOR APPROVAL	RT	RB	SC	-
00	24/Mar/25	ISSUED FOR APPROVAL	RT	RB	SC	-

OWNER:


PROJECT:
300 KT POLYETHYLENE PLANT
ARYA SASOL POLYMER COMPANY (ASPC)

MC:
 

CONTRACTOR:
 

VENDOR:

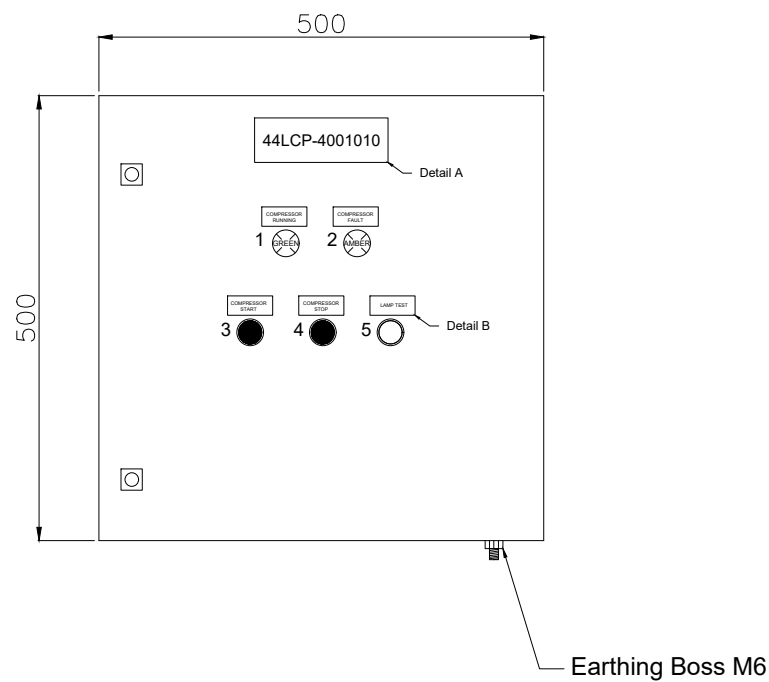

DRAWING TITLE:
PANEL LAYOUT DRAWING
BILL OF MATERIALS FOR
LOCAL CONTROL PANEL 44LCP-4001010

OWNER PROJECT NO.	VENDOR DWG.	MR NO.	VENDOR CODE	DISCIPLINE	UNIT	TYPE	SEQ.
3944	VD	0171	DYP	RE	400	DWG	0003

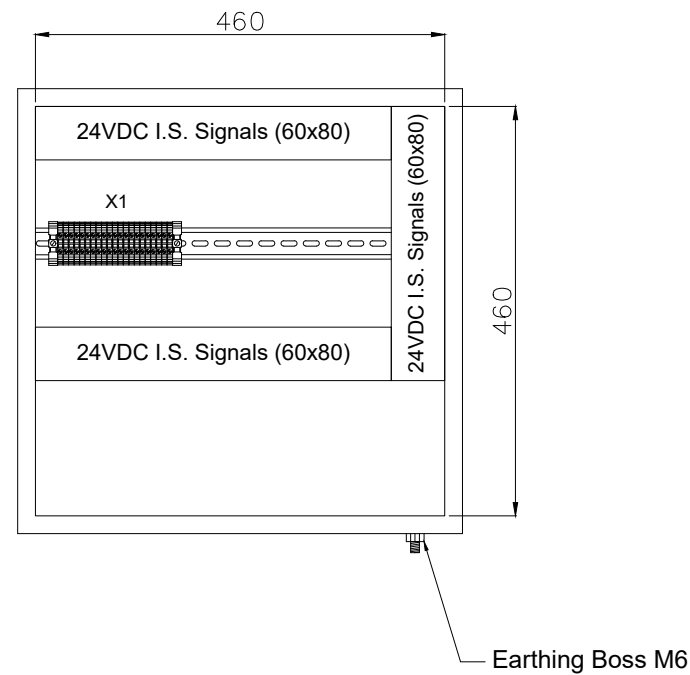
SCALE: NONE SIZE: A0 SHEET NO. 1 OF 34 REV. 05

44LCP-4001010

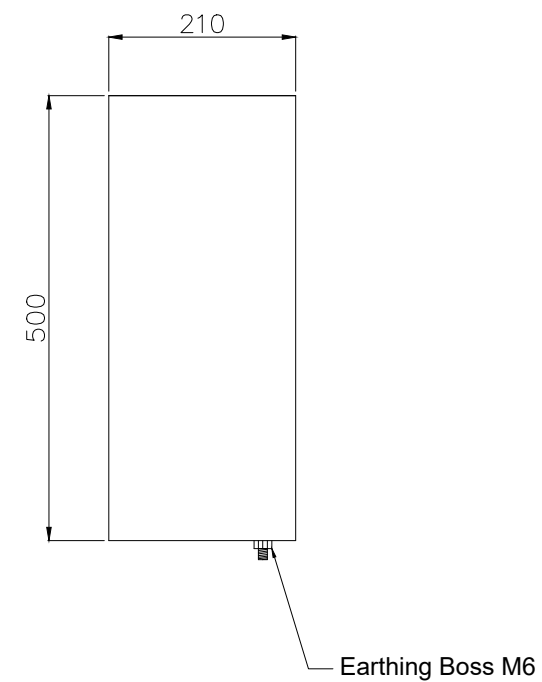
Front Side (Outside) View



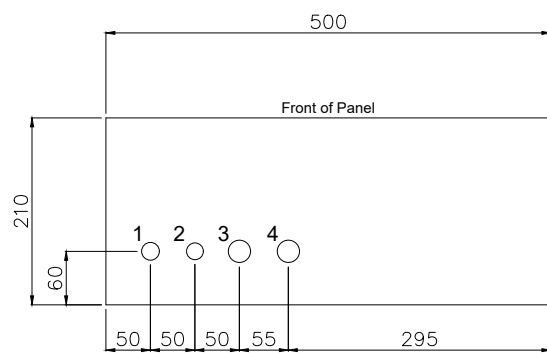
Front Side (Inside) View



Side (Outside) View



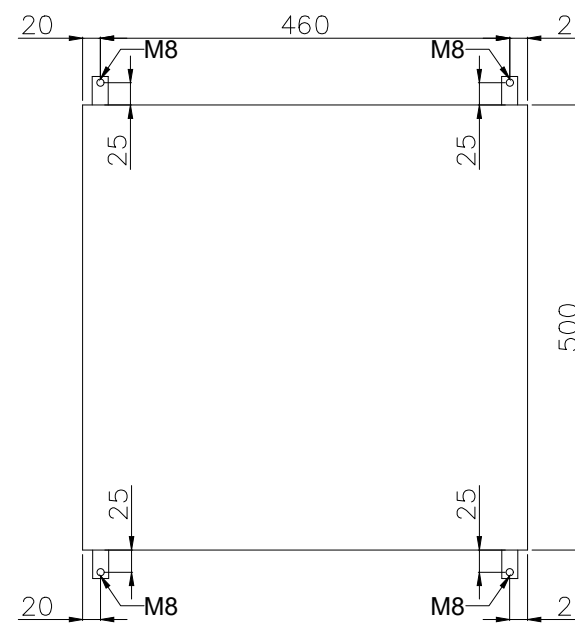
Bottom View



Gland Entry Details

1. M20 - 1x (Breather)
2. M20 - 1x (Spare)
3. M25 - 1x (Cable for Pushbuttons & Lamps)
4. M25 - 1x (Spare)

Back (Outside) View Mounting Details



GENERAL NOTES

- NOTES
1. PANEL DIMENSIONS: 500x500x210mm
 2. PANEL MATERIAL: SS316L STAINLESS STEEL
 3. PANEL COLOR: RAL5017 (BLUE)
 4. PANEL WALL THICKNESS: 1.6mm
 5. PANEL WEIGHT: ~20Kg
 6. PANEL WILL BE RIGHT HINGED
 7. AREA CLASSIFICATION: Ex II 3G IIC T3 Eex'e'
 8. AMBIENT TEMPERATURE: 5°C/+48°C
 9. INGRESS PROTECTION: IP65
 10. CABLE RACEWAYS SHALL HAVE NO LESS THAN 20% SPARE CAPACITY.
 11. DIN RAIL TYPE: NS35
 12. BLUE SLOTTED CABLE TRUNKING WILL BE PROVIDED FOR INTRINSICALLY SAFE SIGNALS.
 13. SPARES WILL BE PLUGGED WITH SUS Ex PLUG
 14. GLANDS WILL BE Ex'd IP65 NICKEL PLATED BRASS TYPE GLANDS
 15. ALL DIMENSIONS IN mm.
 16. EXTERNAL EARTH BOLT AND RELATED PARTS ARE ALL COPPER.
 17. INDICATION LAMP VOLTAGE: 24VDC

REF DRAWINGS	DWG.No.
Wiring Diagram	3944-VD-0171-DYP-RE-400-DIA-0002
I/O List	3944-VD-0171-DYP-RE-400-LST-0080
E&I System Config Diag.	3944-VD-0171-DYP-RE-400-DIA-0078

LEGEND

RESULT CODE: AP AN CO RE RESUBMISSION DATE:

NEXT STATUS: IFI IFA IAF ASB/IFIN

Approval or review hereunder shall not be construed to relieve Vendor/ Subcontractor of his responsibilities and liability under the Contract.

P.O. NO.:

M.R. NO.:

ITEM NO. (EQUIPMENT NO.):

VENDRO JOB NO.:

05/23/Jan/25	ISSUED FOR APPROVAL	RT	RB	SC	-	
04/31/Oct/25	ISSUED FOR APPROVAL	RT	RB	SC	-	
03/26/Aug/25	ISSUED FOR APPROVAL	RT	RB	SC	-	
02/16/Jul/25	ISSUED FOR APPROVAL	RT	RB	SC	-	
01/25/Apr/25	ISSUED FOR APPROVAL	RT	RB	SC	-	
00/24/Mar/25	ISSUED FOR APPROVAL	RT	RB	SC	-	
REV.	DATE	PURPOSE OF ISSUE (P.O.I.)	PREP.	CHKD.	APPR.	AC.

OWNER:



PROJECT:

300 KT POLYETHYLENE PLANT
ARYA SASOL POLYMER COMPANY (ASPC)

MC:



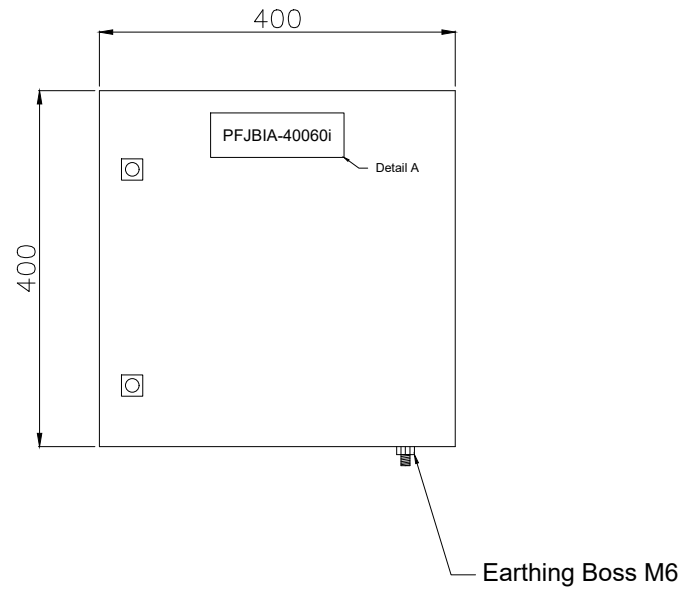
DRAWING TITLE:

PANEL LAYOUT DRAWING
LOCAL CONTROL PANEL 44LCP-4001010
44C-40001A

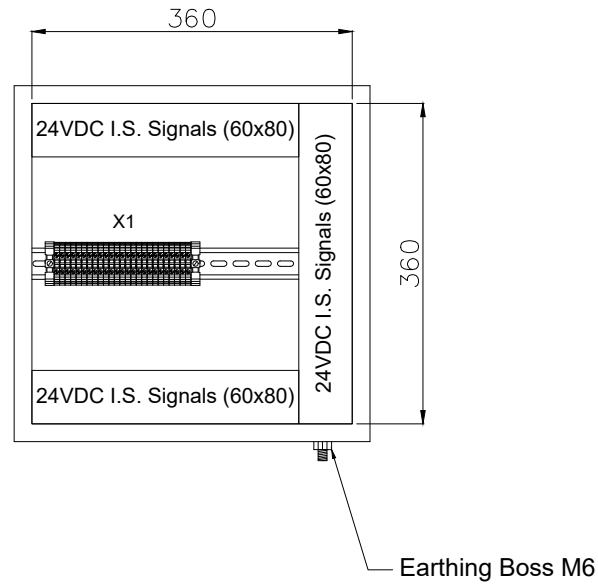
OWNER PROJECT NO.	VENDOR DWG.	MR NO.	VENDOR CODE	DISCIPLINE	UNIT	TYPE	SEQ.
3944	VD	0171	DYP	RE	400	DWG	0003
SCALE:	NONE	SIZE:	A0	SHEET NO.	2 OF 34	REV.	05

PFJBIA-40060i

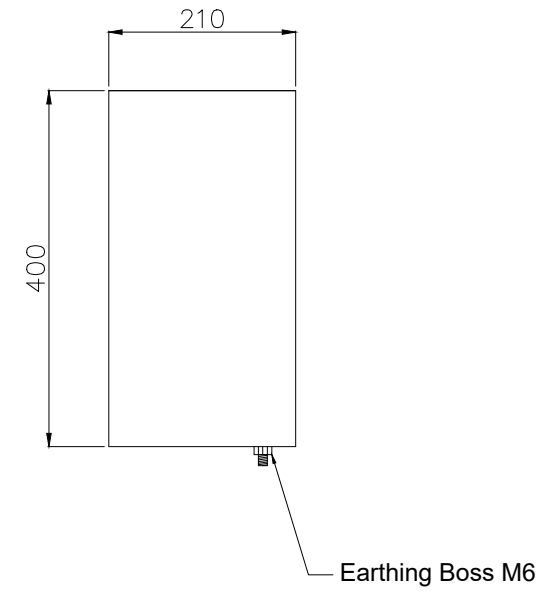
Front Side (Outside) View



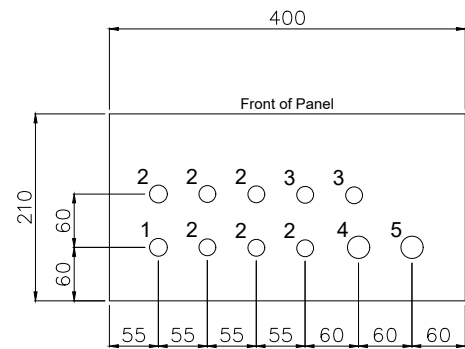
Front Side (Inside) View



Side (Outside) View



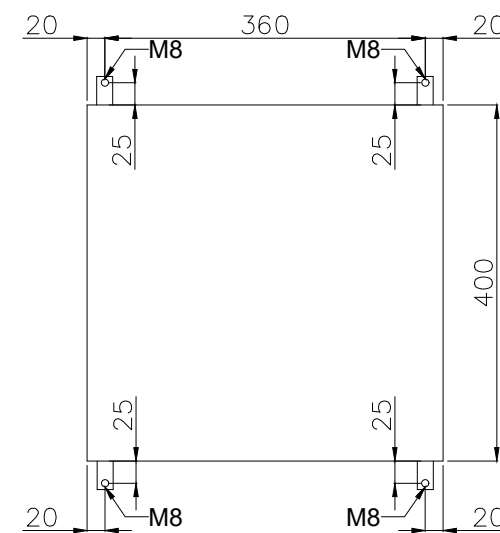
Bottom View



Gland Entry Details

1. M20 - 1x (Breather)
2. M20 - 6x (Cables from Transmitters)
3. M20 - 2x (Spare)
4. M25 - 1x (Multipair Cable from Customer)
5. M25 - 1x (Spare)

Back (Outside) View Mounting Details



GENERAL NOTES

- NOTES
1. PANEL DIMENSIONS: 400x400x210mm
 2. PANEL MATERIAL: SS316L STAINLESS STEEL
 3. PANEL COLOR: RAL5017 (BLUE)
 4. PANEL WALL THICKNESS: 1.6mm
 5. PANEL WEIGHT: ~15Kg
 6. PANEL WILL BE RIGHT HINGED
 7. AREA CLASSIFICATION: Ex II 3G IIC T3 Eex'e'
 8. AMBIENT TEMPERATURE: 5°C/+48°C
 9. INGRESS PROTECTION: IP65
 10. CABLE RACEWAYS SHALL HAVE NO LESS THAN 20% SPARE CAPACITY.
 11. DIN RAIL TYPE: NS35
 12. BLUE SLOTTED CABLE TRUNKING WILL BE PROVIDED FOR INTRINSICALLY SAFE SIGNALS.
 13. SPARES WILL BE PLUGGED WITH SUS Ex PLUG
 14. GLANDS WILL BE Ex d IP65 NICKEL PLATED BRASS TYPE GLANDS
 15. ALL DIMENSIONS IN mm.
 16. EXTERNAL EARTH BOLT AND RELATED PARTS ARE ALL COPPER.

REF DRAWINGS	DWG.No.
Wiring Diagram	3944-VD-0171-DYP-RE-400-DIA-0002
I/O List	3944-VD-0171-DYP-RE-400-LST-0080
E&I System Config Diag.	3944-VD-0171-DYP-RE-400-DIA-0078

LEGEND

RESULT CODE: AP AN CO RE RESUBMISSION DATE:

NEXT STATUS: IFI IFA IAF ASB/IFIN

Approval or review hereunder shall not be construed to relieve Vendor/ Subcontractor of his responsibilities and liability under the Contract.

P.O. NO.:

M.R. NO.:

ITEM NO. (EQUIPMENT NO.):

VENDRO JOB NO.:

REV.	DATE	PURPOSE OF ISSUE (P.O.I.)	PREP.	CHKD.	APPR.	AC.
05	23/Jan/25	ISSUED FOR APPROVAL	RT	RB	SC	-
04	31/Oct/25	ISSUED FOR APPROVAL	RT	RB	SC	-
03	26/Aug/25	ISSUED FOR APPROVAL	RT	RB	SC	-
02	16/Jul/25	ISSUED FOR APPROVAL	RT	RB	SC	-
01	25/Apr/25	ISSUED FOR APPROVAL	RT	RB	SC	-
00	24/Mar/25	ISSUED FOR APPROVAL	RT	RB	SC	-

OWNER:



PROJECT:

300 KT POLYETHYLENE PLANT
ARYA SASOL POLYMER COMPANY (ASPC)

MC:



CONTRACTOR:



VENDOR:

DYPNF

DRAWING TITLE:

PANEL LAYOUT DRAWING
LOCAL CONTROL PANEL PFJBIA-40060i
44C-40001A

OWNER DOC. NO.

OWNER PROJECT NO. VENDOR DWG. MR NO. VENDOR CODE DISCIPLINE UNIT TYPE SEQ.

3944 VD 0171 DYP RE 400 DWG 0003

SCALE: NONE SIZE: A0 SHEET NO. 3 OF 34 REV. 05

No.	Description	Tag Number	Make	Model	Qty.
1	Running Indication Lamp (Green)	3H4	TBD	TBD	1
2	Fault Indication Lamp (Amber)	3H6	TBD	TBD	1
3	Start Pushbutton (Green)	2S4	TBD	TBD	1
4	Stop Pushbutton (Red)	2S6	TBD	TBD	1
5	Lamp Test Pushbutton (Black)	2S8	TBD	TBD	1
Terminal Strip Definition					
X1	Connection Pushbuttons & Lamps	X1	Phoenix Contact	3211760	21

GENERAL NOTES

NOTES
1. BILL OF MATERIALS (BOM) AS PER THE LATEST WIRING DIAGRAM.

REF DRAWINGS	DWG.No.
Wiring Diagram	3944-VD-0171-DYP-RE-400-DIA-0002
I/O List	3944-VD-0171-DYP-RE-400-LST-0080
E&I System Config Diag.	3944-VD-0171-DYP-RE-400-DIA-0078

LEGEND

RESULT CODE: AP AN CO RE

NEXT STATUS: IFI IFA AFC ASB/IFIN

Approval or review hereunder shall not be construed to relieve Vendor/ Subcontractor of his responsibilities and liability under the Contract.

P.O. NO.:
M.R. NO.:
ITEM NO. (EQUIPMENT NO.):
VENDRO JOB NO.:

REV.	DATE	PURPOSE OF ISSUE (P.O.I.)	PREP.	CHKD.	APPR.	AC.
05	23/Jan/25	ISSUED FOR APPROVAL	RT	RB	SC	-
04	31/Oct/25	ISSUED FOR APPROVAL	RT	RB	SC	-
03	26/Aug/25	ISSUED FOR APPROVAL	RT	RB	SC	-
02	16/Jul/25	ISSUED FOR APPROVAL	RT	RB	SC	-
01	25/Apr/25	ISSUED FOR APPROVAL	RT	RB	SC	-
00	24/Mar/25	ISSUED FOR APPROVAL	RT	RB	SC	-

OWNER:


PROJECT:
300 KT POLYETHYLENE PLANT
ARYA SASOL POLYMER COMPANY (ASPC)

MC:
 

CONTRACTOR:
 

VENDOR:

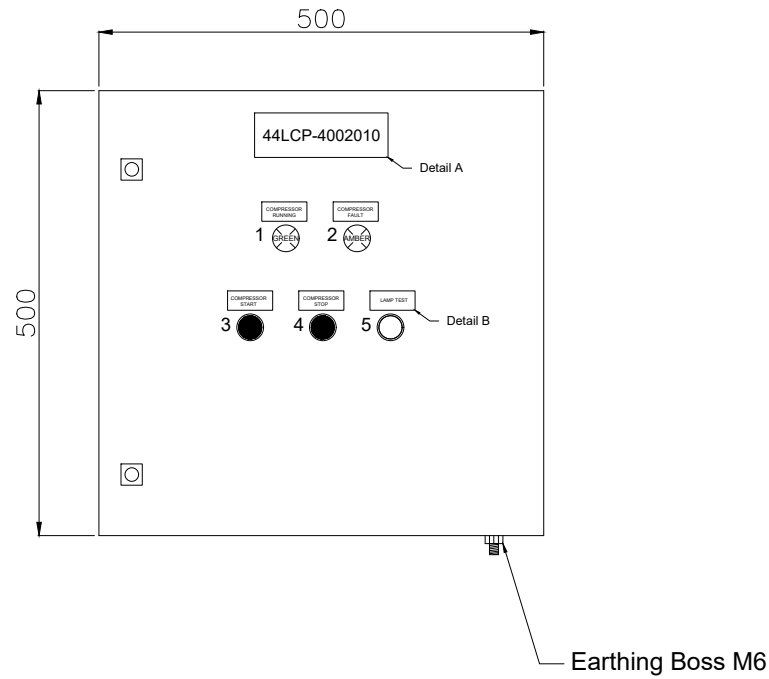

DRAWING TITLE:
PANEL LAYOUT DRAWING
BILL OF MATERIALS FOR
LOCAL CONTROL PANEL 44LCP-4002010

OWNER PROJECT NO.	VENDOR DWG.	MR NO.	VENDOR CODE	DISCIPLINE	UNIT	TYPE	SEQ.
3944	VD	0171	DYP	RE	400	DWG	0003
SCALE:	NONE	SIZE:	A0	SHEET NO.	4 OF 34	REV.	05

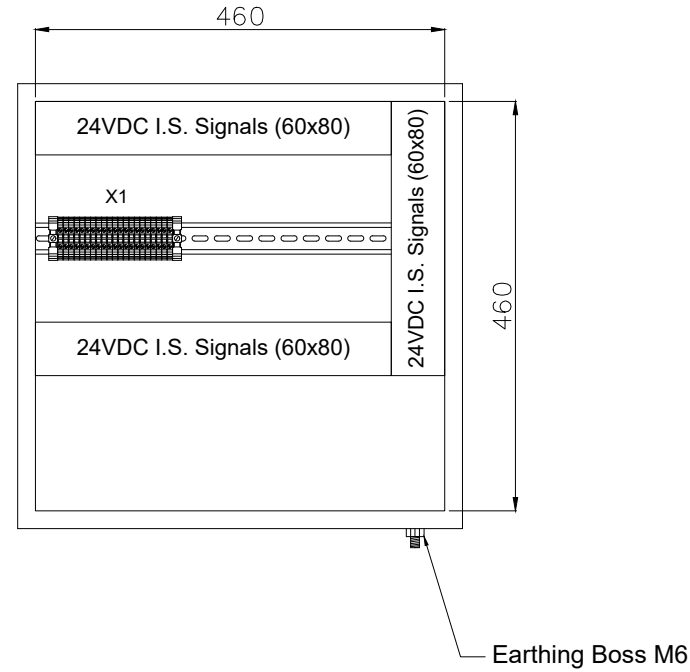
THIS DOCUMENT WITH ALL ITS RIGHTS IS THE PROPERTY OF A.S.P.C. AND MUST BE HELD IN CONFIDENCE. NO DISCLOSURE, REPRODUCTION OR OTHER USE OF THE DOCUMENT IN WHOLE OR A PORTIONS TO BE MADE WITHOUT THE PRIOR CONSENT OF A.S.P.C.

44LCP-4002010

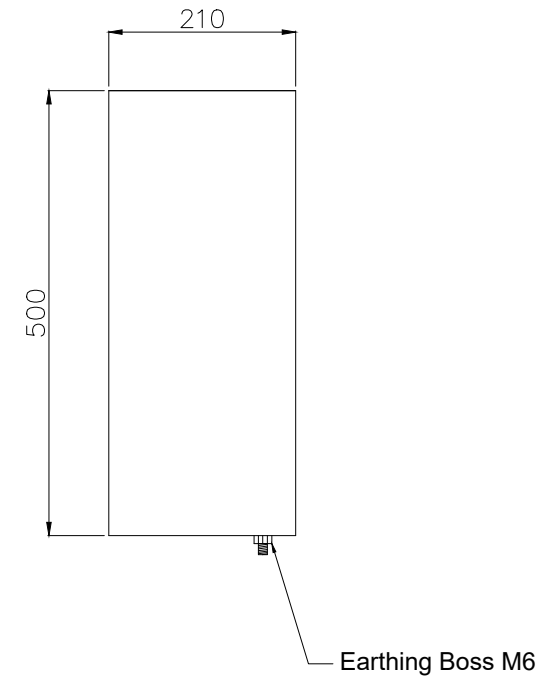
Front Side (Outside) View



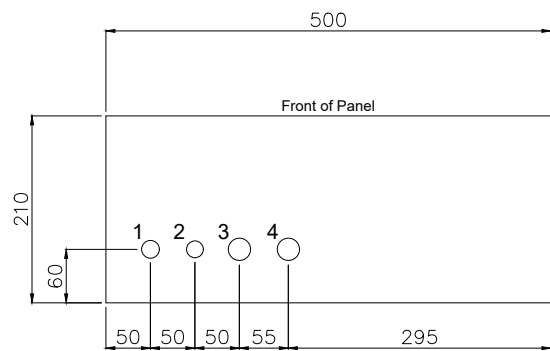
Front Side (Inside) View



Side (Outside) View



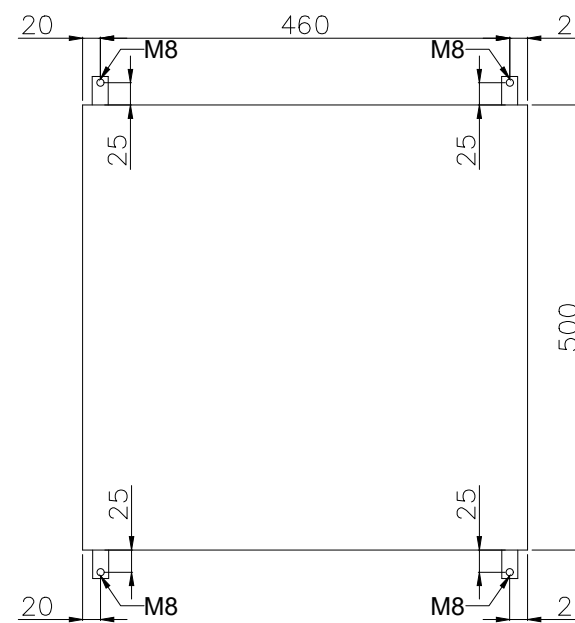
Bottom View



Gland Entry Details

1. M20 - 1x (Breather)
2. M20 - 1x (Spare)
3. M25 - 1x (Cable for Pushbuttons & Lamps)
4. M25 - 1x (Spare)

Back (Outside) View Mounting Details



GENERAL NOTES

- NOTES
1. PANEL DIMENSIONS: 500x500x210mm
 2. PANEL MATERIAL: SS316L STAINLESS STEEL
 3. PANEL COLOR: RAL5017 (BLUE)
 4. PANEL WALL THICKNESS: 1.6mm
 5. PANEL WEIGHT: ~20Kg
 6. PANEL WILL BE RIGHT HINGED
 7. AREA CLASSIFICATION: Ex II 3G IIC T3 Eex'e'
 8. AMBIENT TEMPERATURE: 5°C/+48°C
 9. INGRESS PROTECTION: IP65
 10. CABLE RACEWAYS SHALL HAVE NO LESS THAN 20% SPARE CAPACITY.
 11. DIN RAIL TYPE: NS35
 12. BLUE SLOTTED CABLE TRUNKING WILL BE PROVIDED FOR INTRINSICALLY SAFE SIGNALS.
 13. SPARES WILL BE PLUGGED WITH SUS Ex PLUG
 14. GLANDS WILL BE Ex'd IP65 NICKEL PLATED BRASS TYPE GLANDS
 15. ALL DIMENSIONS IN mm.
 16. EXTERNAL EARTH BOLT AND RELATED PARTS ARE ALL COPPER.
 17. INDICATION LAMP VOLTAGE: 24VDC

REF DRAWINGS	DWG.No.
Wiring Diagram	3944-VD-0171-DYP-RE-400-DIA-0002
I/O List	3944-VD-0171-DYP-RE-400-LST-0080
E&I System Config Diag.	3944-VD-0171-DYP-RE-400-DIA-0078

LEGEND

RESULT CODE: AP AN CO RE

NEXT STATUS: IFI IFA IAF ASB/IFIN

Approval or review hereunder shall not be construed to relieve Vendor/ Subcontractor of his responsibilities and liability under the Contract.

P.O. NO.:

M.R. NO.:

ITEM NO. (EQUIPMENT NO.):

VENDRO JOB NO.:

REV.	DATE	PURPOSE OF ISSUE (P.O.I.)	PREP.	CHKD.	APPR.	AC.
05	23/Jan/25	ISSUED FOR APPROVAL	RT	RB	SC	-
04	31/Oct/25	ISSUED FOR APPROVAL	RT	RB	SC	-
03	26/Aug/25	ISSUED FOR APPROVAL	RT	RB	SC	-
02	16/Jul/25	ISSUED FOR APPROVAL	RT	RB	SC	-
01	25/Apr/25	ISSUED FOR APPROVAL	RT	RB	SC	-
00	24/Mar/25	ISSUED FOR APPROVAL	RT	RB	SC	-

OWNER:



PROJECT:

300 KT POLYETHYLENE PLANT
ARYA SASOL POLYMER COMPANY (ASPC)

MC:



CONTRACTOR:



VENDOR:



DRAWING TITLE:

PANEL LAYOUT DRAWING
LOCAL CONTROL PANEL 44LCP-4002010
44C-40001B

OWNER DOC. NO.

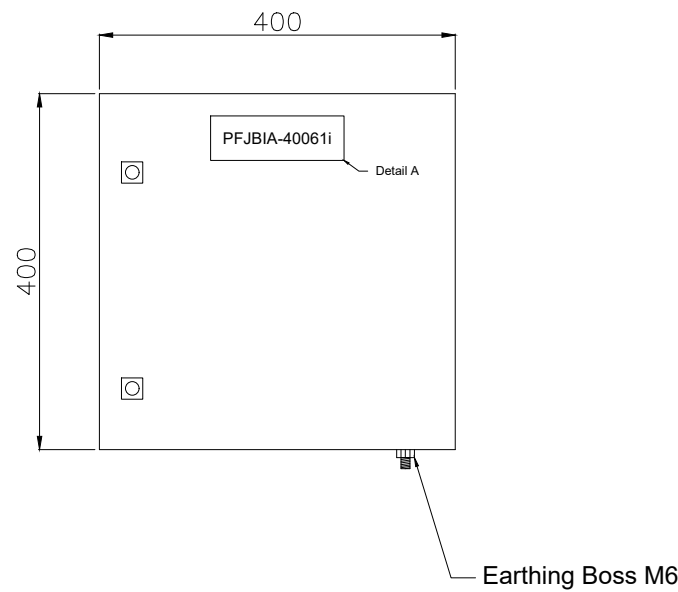
OWNER PROJECT NO. | VENDOR DWG. | MR NO. | VENDOR CODE | DISCIPLINE | UNIT | TYPE | SEQ.

3944 | VD | 0171 | DYP | RE | 400 | DWG | 0003

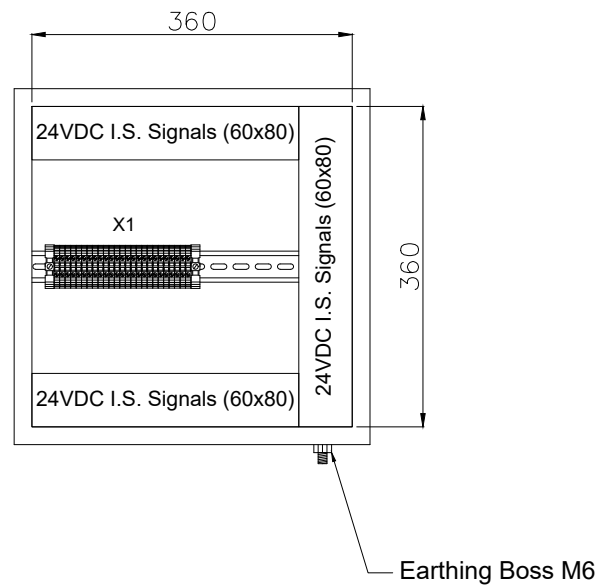
SCALE: NONE | SIZE: A0 | SHEET NO. 5 OF 34 | REV. 05

PFJBIA-40061i

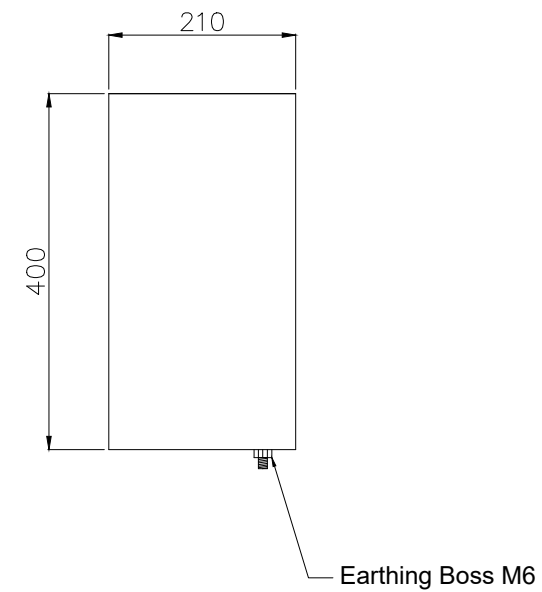
Front Side (Outside) View



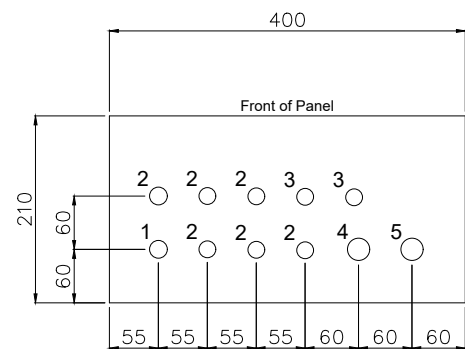
Front Side (Inside) View



Side (Outside) View



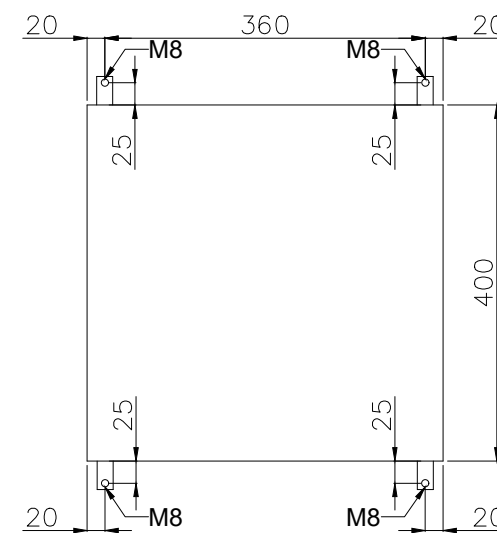
Bottom View



Gland Entry Details

1. M20 - 1x (Breather)
2. M20 - 6x (Cables from Transmitters)
3. M20 - 2x (Spare)
4. M25 - 1x (Multipair Cable from Customer)
5. M25 - 1x (Spare)

Back (Outside) View Mounting Details



GENERAL NOTES

- NOTES
1. PANEL DIMENSIONS: 400x400x210mm
 2. PANEL MATERIAL: SS316L STAINLESS STEEL
 3. PANEL COLOR: RAL5017 (BLUE)
 4. PANEL WALL THICKNESS: 1.6mm
 5. PANEL WEIGHT: ~15Kg
 6. PANEL WILL BE RIGHT HINGED
 7. AREA CLASSIFICATION: Ex II 3G IIC T3 Eex'e'
 8. AMBIENT TEMPERATURE: 5°C/+48°C
 9. INGRESS PROTECTION: IP65
 10. CABLE RACEWAYS SHALL HAVE NO LESS THAN 20% SPARE CAPACITY.
 11. DIN RAIL TYPE: NS35
 12. BLUE SLOTTED CABLE TRUNKING WILL BE PROVIDED FOR INTRINSICALLY SAFE SIGNALS.
 13. SPARES WILL BE PLUGGED WITH SUS Ex PLUG
 14. GLANDS WILL BE Ex d IP65 NICKEL PLATED BRASS TYPE GLANDS
 15. ALL DIMENSIONS IN mm.
 16. EXTERNAL EARTH BOLT AND RELATED PARTS ARE ALL COPPER.

REF DRAWINGS	DWG.No.
Wiring Diagram	3944-VD-0171-DYP-RE-400-DIA-0002
I/O List	3944-VD-0171-DYP-RE-400-LST-0080
E&I System Config Diag.	3944-VD-0171-DYP-RE-400-DIA-0078

LEGEND

RESULT CODE: AP AN CO RE RESUBMISSION DATE:

NEXT STATUS: IFI IFA IAF ASB/IFIN

Approval or review hereunder shall not be construed to relieve Vendor/ Subcontractor of his responsibilities and liability under the Contract.

P.O. NO.:

M.R. NO.:

ITEM NO. (EQUIPMENT NO.):

VENDRO JOB NO.:

REV.	DATE	PURPOSE OF ISSUE (P.O.I.)	PREP.	CHKD.	APPR.	AC.
05	23/Jan/25	ISSUED FOR APPROVAL	RT	RB	SC	-
04	31/Oct/25	ISSUED FOR APPROVAL	RT	RB	SC	-
03	26/Aug/25	ISSUED FOR APPROVAL	RT	RB	SC	-
02	16/Jul/25	ISSUED FOR APPROVAL	RT	RB	SC	-
01	25/Apr/25	ISSUED FOR APPROVAL	RT	RB	SC	-
00	24/Mar/25	ISSUED FOR APPROVAL	RT	RB	SC	-

OWNER:



PROJECT:

300 KT POLYETHYLENE PLANT
ARYA SASOL POLYMER COMPANY (ASPC)

MC:



CONTRACTOR:



VENDOR:



DRAWING TITLE:

PANEL LAYOUT DRAWING
LOCAL CONTROL PANEL PFJBIA-400611
44C-40001B

OWNER DOC. NO.

OWNER PROJECT NO. VENDOR DWG. MR NO. VENDOR CODE DISCIPLINE UNIT TYPE SEQ.

3944 VD 0171 DYP RE 400 DWG 0003

SCALE: NONE SIZE: A0 SHEET NO. 6 OF 34 REV. 05

No.	Description	Tag Number	Make	Model	Qty.
1	Running Indication Lamp (Green)	3H4	TBD	TBD	1
2	Fault Indication Lamp (Amber)	3H6	TBD	TBD	1
3	Start Pushbutton (Green)	2S4	TBD	TBD	1
4	Stop Pushbutton (Red)	2S6	TBD	TBD	1
5	Lamp Test Pushbutton (Black)	2S8	TBD	TBD	1
Terminal Strip Definition					
X1	Connection Pushbuttons & Lamps	X1	Phoenix Contact	3044102	21

GENERAL NOTES

NOTES
1. BILL OF MATERIALS (BOM) AS PER THE LATEST WIRING DIAGRAM.

REF DRAWINGS	DWG.No.
Wiring Diagram	3944-VD-0171-DYP-RE-400-DIA-0002
I/O List	3944-VD-0171-DYP-RE-400-LST-0080
E&I System Config Diag.	3944-VD-0171-DYP-RE-400-DIA-0078

LEGEND

RESULT CODE: AP AN CO RE

NEXT STATUS: IFI IFA AFC ASB/IFIN



Approval or review hereunder shall not be construed to relieve Vendor/ Subcontractor of his responsibilities and liability under the Contract.

P.O. NO.:
M.R. NO.:
ITEM NO. (EQUIPMENT NO.):
VENDRO JOB NO.:

REV.	DATE	PURPOSE OF ISSUE (P.O.I.)	PREP.	CHKD.	APPR.	AC.
05	23/Jan/25	ISSUED FOR APPROVAL	RT	RB	SC	-
04	31/Oct/25	ISSUED FOR APPROVAL	RT	RB	SC	-
03	26/Aug/25	ISSUED FOR APPROVAL	RT	RB	SC	-
02	16/Jul/25	ISSUED FOR APPROVAL	RT	RB	SC	-
01	25/Apr/25	ISSUED FOR APPROVAL	RT	RB	SC	-
00	24/Mar/25	ISSUED FOR APPROVAL	RT	RB	SC	-

OWNER:


PROJECT:
300 KT POLYETHYLENE PLANT
ARYA SASOL POLYMER COMPANY (ASPC)

MC:
 

CONTRACTOR:

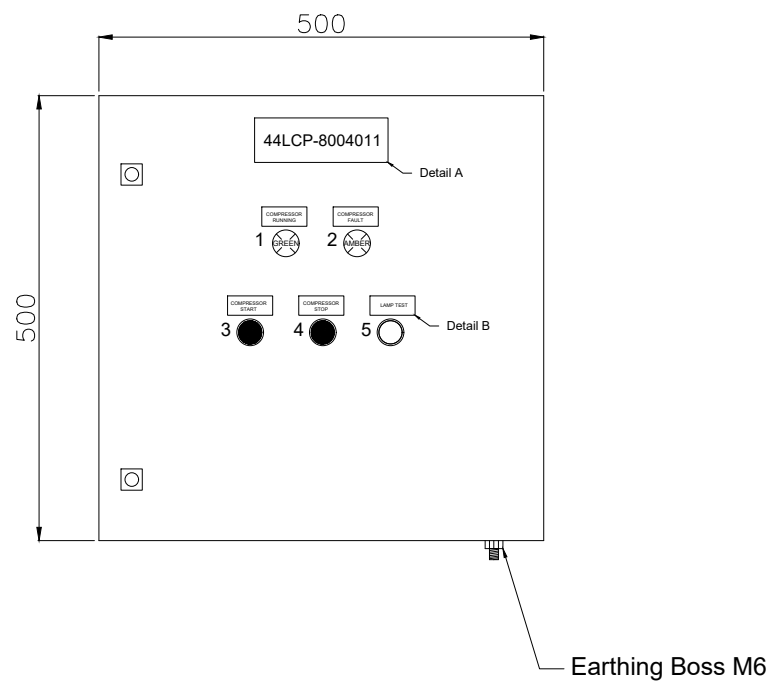

VENDOR:


DRAWING TITLE:
PANEL LAYOUT DRAWING
BILL OF MATERIALS FOR
LOCAL CONTROL PANEL 44LCP-8004011

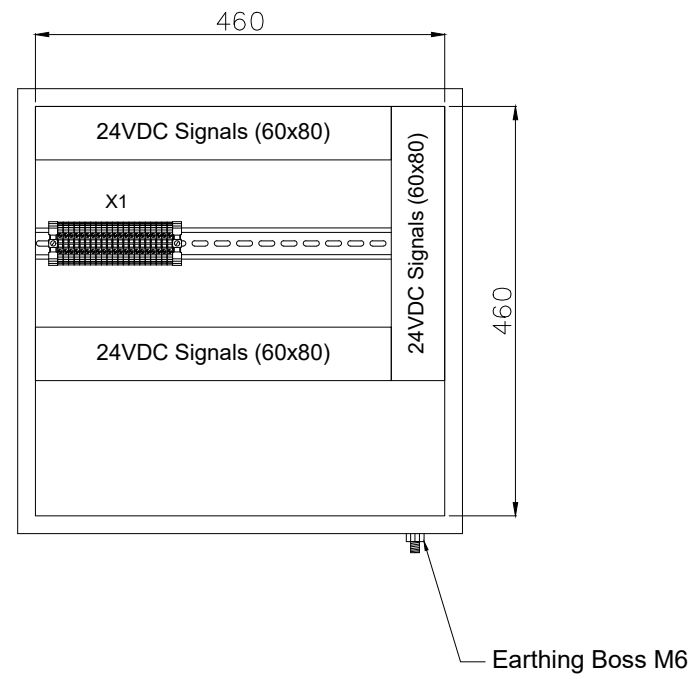
OWNER PROJECT NO.	VENDOR DWG.	MR NO.	VENDOR CODE	DISCIPLINE	UNIT	TYPE	SEQ.
3944	VD	0171	DYP	RE	400	DWG	0003
SCALE:	NONE	SIZE:	A0	SHEET NO.	7 OF 34	REV.	05

44LCP-8004011

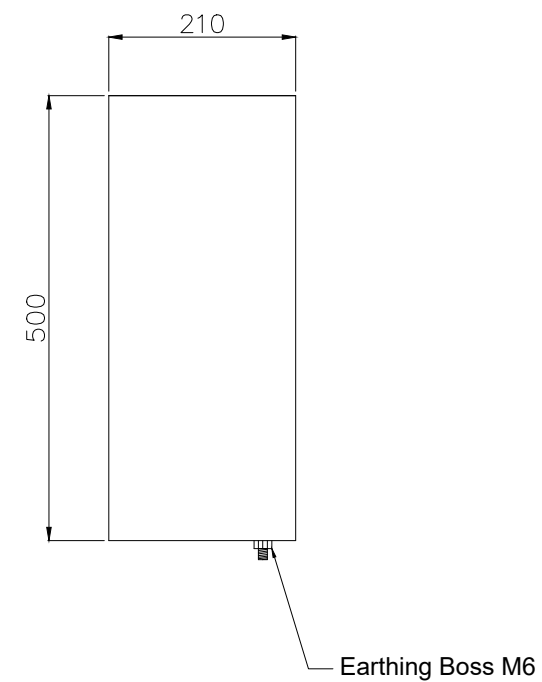
Front Side (Outside) View



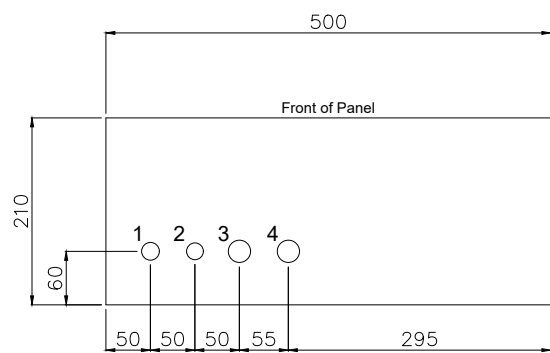
Front Side (Inside) View



Side (Outside) View



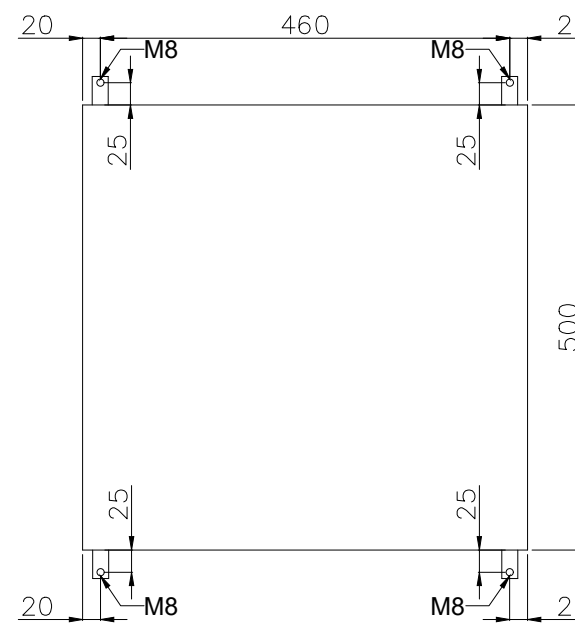
Bottom View



Gland Entry Details

1. M20 - 1x (Breather)
2. M20 - 1x (Spare)
3. M25 - 1x (Cable for Pushbuttons & Lamps)
4. M25 - 1x (Spare)

Back (Outside) View Mounting Details



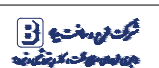





GENERAL NOTES	
NOTES	
1. PANEL DIMENSIONS: 500x500x210mm	
2. PANEL MATERIAL: SS316L STAINLESS STEEL	
3. PANEL COLOR: RAL7032 (GRAY)	
4. PANEL WALL THICKNESS: 1.6mm	
5. PANEL WEIGHT: ~20Kg	
6. PANEL WILL BE RIGHT HINGED	
7. AREA CLASSIFICATION: Ex II 3G IIC T3 Eex'e'	
8. AMBIENT TEMPERATURE: 5°C/+48°C	
9. INGRESS PROTECTION: IP65	
10. CABLE RACEWAYS SHALL HAVE NO LESS THAN 20% SPARE CAPACITY.	
11. DIN RAIL TYPE: NS35	
12. SPARES WILL BE PLUGGED WITH SUS Ex PLUG	
13. GLANDS WILL BE Ex'd IP65 NICKEL PLATED BRASS TYPE GLANDS	
14. ALL DIMENSIONS IN mm.	
15. EXTERNAL EARTH BOLT AND RELATED PARTS ARE ALL COPPER.	
16. INDICATION LAMP VOLTAGE: 24VDC	

REF DRAWINGS	DWG.No.
Wiring Diagram	3944-VD-0171-DYP-RE-400-DIA-0002
I/O List	3944-VD-0171-DYP-RE-400-LST-0080
E&I System Config Diag.	3944-VD-0171-DYP-RE-400-DIA-0078

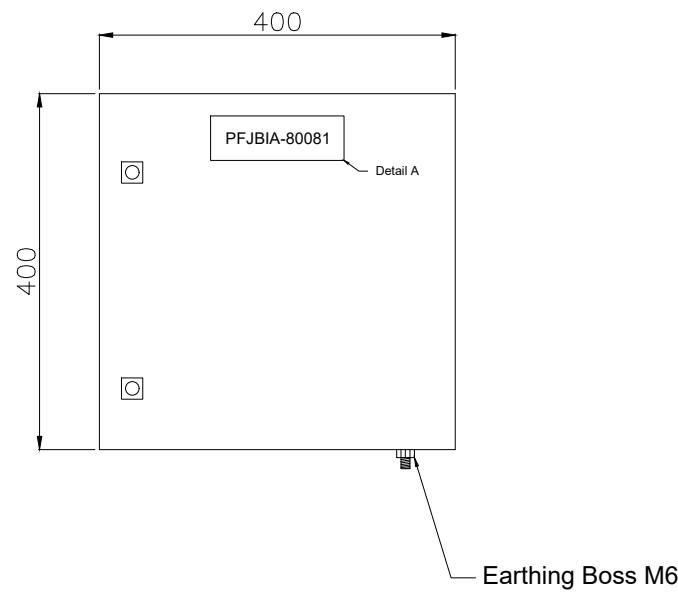
LEGEND	
RESULT CODE:	<input type="checkbox"/> AP <input type="checkbox"/> AN <input type="checkbox"/> CO <input type="checkbox"/> RE
NEXT STATUS:	<input type="checkbox"/> IFI <input type="checkbox"/> IFA <input type="checkbox"/> IAF <input type="checkbox"/> ASB/IFIN
Approval or review hereunder shall not be construed to relieve Vendor/ Subcontractor of his responsibilities and liability under the Contract.	
P.O. NO.:	
M.R. NO.:	
ITEM NO. (EQUIPMENT NO.):	
VENDRO JOB NO.:	
05/23/Jan/25	ISSUED FOR APPROVAL RT RB SC --
04/31/Oct/25	ISSUED FOR APPROVAL RT RB SC --
03/26/Aug/25	ISSUED FOR APPROVAL RT RB SC --
02/16/Jul/25	ISSUED FOR APPROVAL RT RB SC --
01/25/Apr/25	ISSUED FOR APPROVAL RT RB SC --
00/24/Mar/25	ISSUED FOR APPROVAL RT RB SC --
REV. DATE	PURPOSE OF ISSUE (P.O.I) PREP,CHKD,APPR, AC.

LEGEND	
RESULT CODE:	<input type="checkbox"/> AP <input type="checkbox"/> AN <input type="checkbox"/> CO <input type="checkbox"/> RE
NEXT STATUS:	<input type="checkbox"/> IFI <input type="checkbox"/> IFA <input type="checkbox"/> IAF <input type="checkbox"/> ASB/IFIN
Approval or review hereunder shall not be construed to relieve Vendor/ Subcontractor of his responsibilities and liability under the Contract.	
P.O. NO.:	
M.R. NO.:	
ITEM NO. (EQUIPMENT NO.):	
VENDRO JOB NO.:	
05/23/Jan/25	ISSUED FOR APPROVAL RT RB SC --
04/31/Oct/25	ISSUED FOR APPROVAL RT RB SC --
03/26/Aug/25	ISSUED FOR APPROVAL RT RB SC --
02/16/Jul/25	ISSUED FOR APPROVAL RT RB SC --
01/25/Apr/25	ISSUED FOR APPROVAL RT RB SC --
00/24/Mar/25	ISSUED FOR APPROVAL RT RB SC --
REV. DATE	PURPOSE OF ISSUE (P.O.I) PREP,CHKD,APPR, AC.

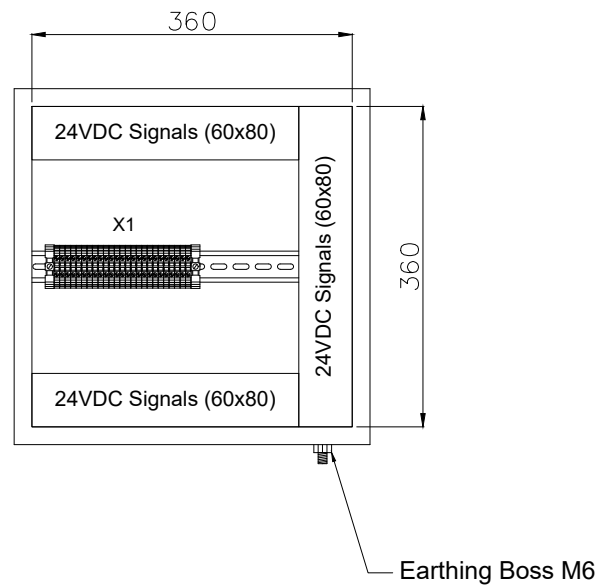
OWNER:				
PROJECT:	300 KT POLYETHYLENE PLANT ARYA SASOL POLYMER COMPANY (ASPC)			
MC:				
CONTRACTOR:				
DRAWING TITLE:	PANEL LAYOUT DRAWING LOCAL CONTROL PANEL 44LCP-8004011 44C-80001A			
OWNER PROJECT NO.	VENDOR DWG.	MR NO.	VENDOR CODE	DISCIPLINE
3944	VD	0171	DYP	RE
SCALE: NONE	SIZE: A0	SHEET NO. 8	OF 34	REV. 05

PFJBIA-80081

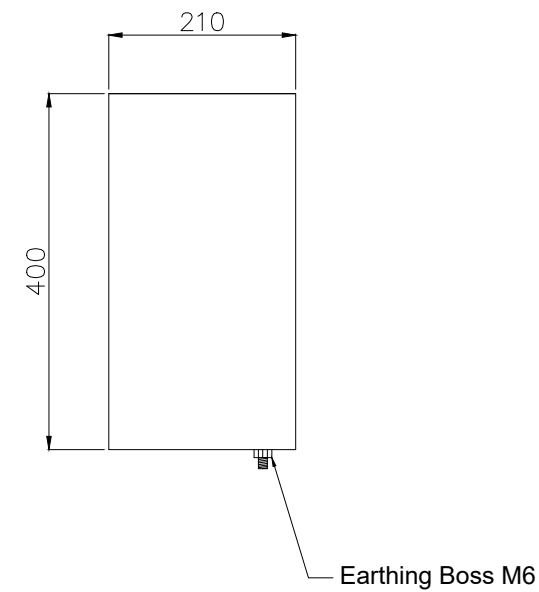
Front Side (Outside) View



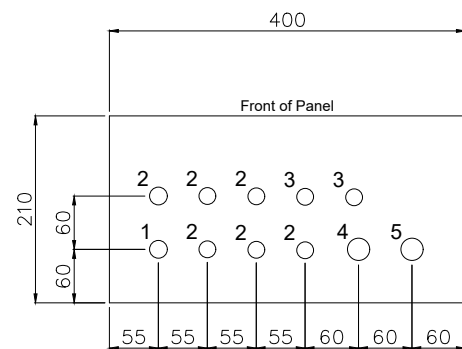
Front Side (Inside) View



Side (Outside) View



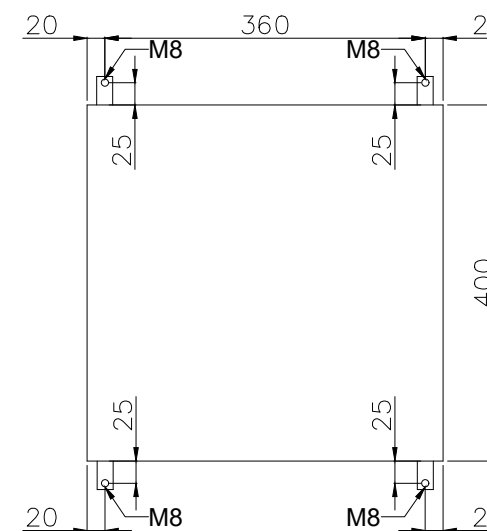
Bottom View



Gland Entry Details

1. M20 - 1x (Breather)
2. M20 - 6x (Cables from Transmitters)
3. M20 - 2x (Spare)
4. M25 - 1x (Multipair Cable from Customer)
5. M25 - 1x (Spare)

Back (Outside) View Mounting Details



GENERAL NOTES

- NOTES
1. PANEL DIMENSIONS: 400x400x210mm
 2. PANEL MATERIAL: SS316L STAINLESS STEEL
 3. PANEL COLOR: RAL7032 (GRAY)
 4. PANEL WALL THICKNESS: 1.6mm
 5. PANEL WEIGHT: ~15Kg
 6. PANEL WILL BE RIGHT HINGED
 7. AREA CLASSIFICATION: Ex II 3G IIC T3 Eex'e'
 8. AMBIENT TEMPERATURE: 5°C/+48°C
 9. INGRESS PROTECTION: IP65
 10. CABLE RACEWAYS SHALL HAVE NO LESS THAN 20% SPARE CAPACITY.
 11. DIN RAIL TYPE: NS35
 12. SPARES WILL BE PLUGGED WITH SUS EX PLUG
 13. GLANDS WILL BE Ex'd IP65 NICKEL PLATED BRASS TYPE GLANDS
 14. ALL DIMENSIONS IN mm.
 15. EXTERNAL EARTH BOLT AND RELATED PARTS ARE ALL COPPER.

REF DRAWINGS	DWG.No.
Wiring Diagram	3944-VD-0171-DYP-RE-400-DIA-0002
I/O List	3944-VD-0171-DYP-RE-400-LST-0080
E&I System Config Diag.	3944-VD-0171-DYP-RE-400-DIA-0078

LEGEND

RESULT CODE: AP AN CO RE RESUBMISSION DATE:

NEXT STATUS: IFI IFA IAF ASB/IFIN

Approval or review hereunder shall not be construed to relieve Vendor/ Subcontractor of his responsibilities and liability under the Contract.

P.O. NO.:

M.R. NO.:

ITEM NO. (EQUIPMENT NO.):

VENDRO JOB NO.:

REV.	DATE	PURPOSE OF ISSUE (P.O.I.)	PREP.	CHKD.	APPR.	AC.
05	23/Jan/25	ISSUED FOR APPROVAL	RT	RB	SC	-
04	31/Oct/25	ISSUED FOR APPROVAL	RT	RB	SC	-
03	26/Aug/25	ISSUED FOR APPROVAL	RT	RB	SC	-
02	16/Jul/25	ISSUED FOR APPROVAL	RT	RB	SC	-
01	25/Apr/25	ISSUED FOR APPROVAL	RT	RB	SC	-
00	24/Mar/25	ISSUED FOR APPROVAL	RT	RB	SC	-

OWNER:



PROJECT:

300 KT POLYETHYLENE PLANT
ARYA SASOL POLYMER COMPANY (ASPC)

MC:



CONTRACTOR:



VENDOR:



DRAWING TITLE:

PANEL LAYOUT DRAWING
LOCAL CONTROL PANEL PFJBIA-80081
44C-80001A

OWNER DOC. NO.

OWNER PROJECT NO. VENDOR DWG. MR NO. VENDOR CODE DISCIPLINE UNIT TYPE SEQ.

3944 VD 0171 DYP RE 400 DWG 0003

SCALE: NONE SIZE: A0 SHEET NO. 9 OF 34 REV. 05

No.	Description	Tag Number	Make	Model	Qty.
1	Running Indication Lamp (Green)	3H4	TBD	TBD	1
2	Fault Indication Lamp (Amber)	3H6	TBD	TBD	1
3	Start Pushbutton (Green)	2S4	TBD	TBD	1
4	Stop Pushbutton (Red)	2S6	TBD	TBD	1
5	Lamp Test Pushbutton (Black)	2S8	TBD	TBD	1
Terminal Strip Definition					
X1	Connection Pushbuttons & Lamps	X1	Phoenix Contact	3044102	21

GENERAL NOTES

NOTES
1. BILL OF MATERIALS (BOM) AS PER THE LATEST WIRING DIAGRAM.

REF DRAWINGS	DWG.No.
Wiring Diagram	3944-VD-0171-DYP-RE-400-DIA-0002
I/O List	3944-VD-0171-DYP-RE-400-LST-0080
E&I System Config Diag.	3944-VD-0171-DYP-RE-400-DIA-0078

LEGEND

RESULT CODE: AP AN CO RE

NEXT STATUS: IFI IFA AFC ASB/IFIN

Approval or review hereunder shall not be construed to relieve Vendor/ Subcontractor of his responsibilities and liability under the Contract.

P.O. NO.:
M.R. NO.:
ITEM NO. (EQUIPMENT NO.):
VENDRO JOB NO.:

REV.	DATE	PURPOSE OF ISSUE (P.O.I.)	PREP.	CHKD.	APPR.	AC.
05	23/Jan/25	ISSUED FOR APPROVAL	RT	RB	SC	-
04	31/Oct/25	ISSUED FOR APPROVAL	RT	RB	SC	-
03	26/Aug/25	ISSUED FOR APPROVAL	RT	RB	SC	-
02	16/Jul/25	ISSUED FOR APPROVAL	RT	RB	SC	-
01	25/Apr/25	ISSUED FOR APPROVAL	RT	RB	SC	-
00	24/Mar/25	ISSUED FOR APPROVAL	RT	RB	SC	-

OWNER:


PROJECT:
300 KT POLYETHYLENE PLANT
ARYA SASOL POLYMER COMPANY (ASPC)

MC:
 

CONTRACTOR:
 

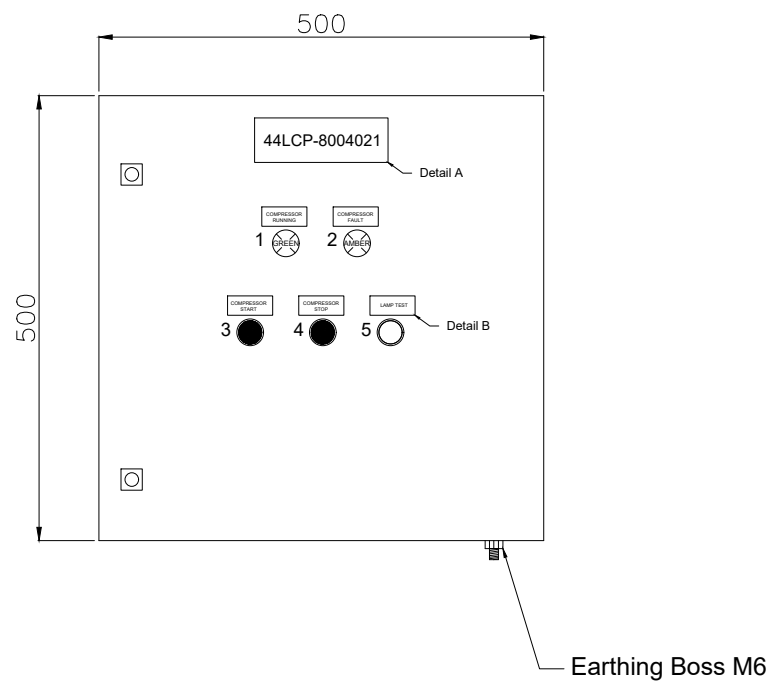
VENDOR:


DRAWING TITLE:
PANEL LAYOUT DRAWING
BILL OF MATERIALS FOR
LOCAL CONTROL PANEL 44LCP-8004021

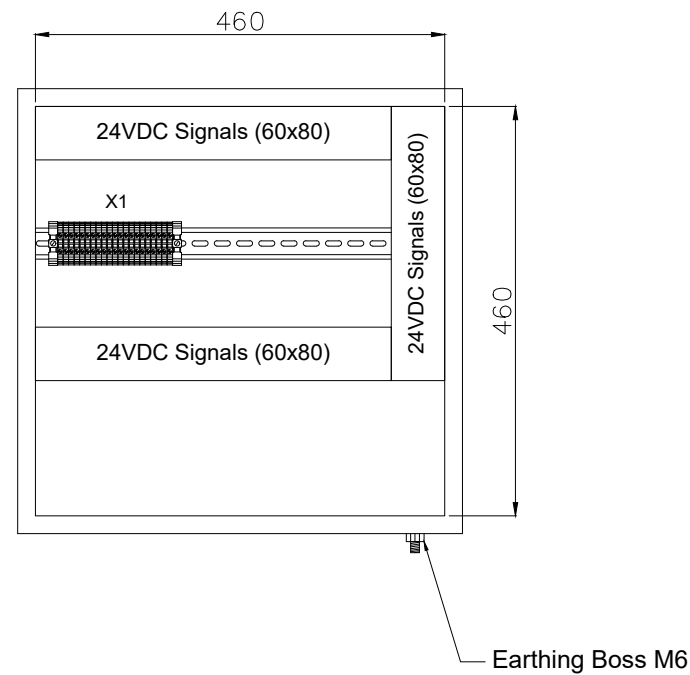
OWNER PROJECT NO.	VENDOR DWG.	MR NO.	VENDOR CODE	DISCIPLINE	UNIT	TYPE	SEQ.
3944	VD	0171	DYP	RE	400	DWG	0003
SCALE:	NONE	SIZE:	A0	SHEET NO.	10 OF 34	REV.	05

44LCP-8004021

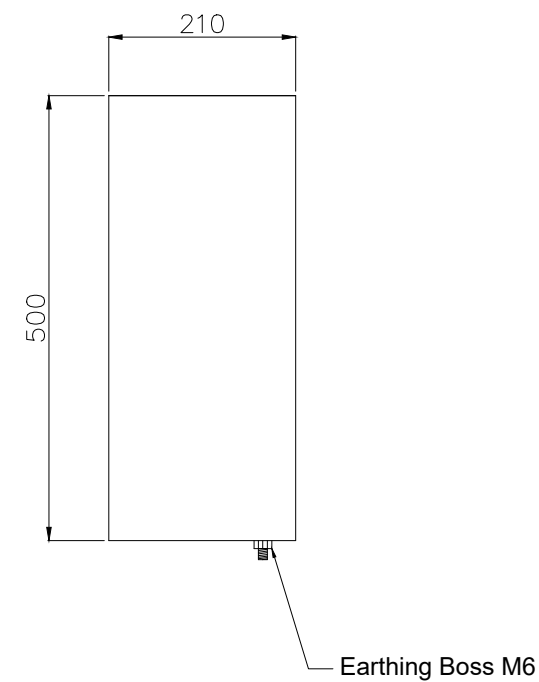
Front Side (Outside) View



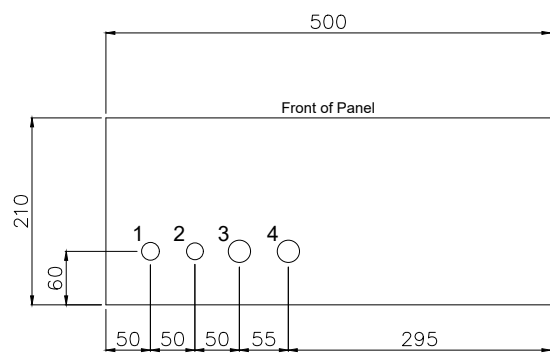
Front Side (Inside) View



Side (Outside) View



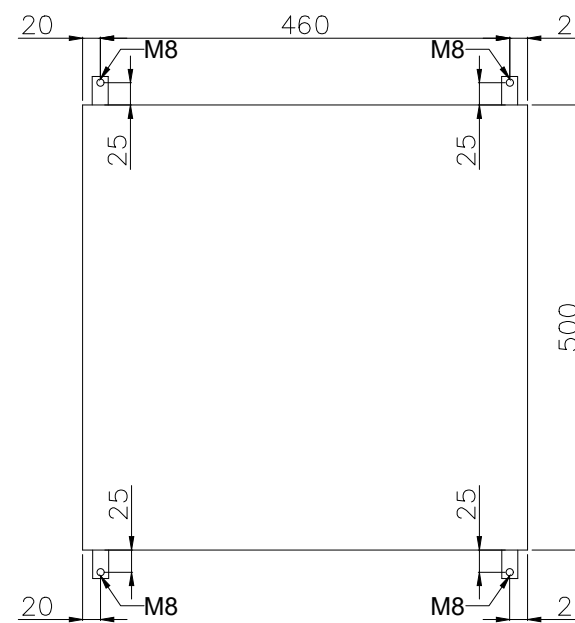
Bottom View



Gland Entry Details

1. M20 - 1x (Breather)
2. M20 - 1x (Spare)
3. M25 - 1x (Cable for Pushbuttons & Lamps)
4. M25 - 1x (Spare)

Back (Outside) View Mounting Details



GENERAL NOTES

- NOTES
1. PANEL DIMENSIONS: 500x500x210mm
 2. PANEL MATERIAL: SS316L STAINLESS STEEL
 3. PANEL COLOR: RAL7032 (GRAY)
 4. PANEL WALL THICKNESS: 1.6mm
 5. PANEL WEIGHT: ~20Kg
 6. PANEL WILL BE RIGHT HINGED
 7. AREA CLASSIFICATION: Ex II 3G IIC T3 Eex'e'
 8. AMBIENT TEMPERATURE: 5°C/+48°C
 9. INGRESS PROTECTION: IP65
 10. CABLE RACEWAYS SHALL HAVE NO LESS THAN 20% SPARE CAPACITY.
 11. DIN RAIL TYPE: NS35
 12. SPARES WILL BE PLUGGED WITH SUS Ex PLUG
 13. GLANDS WILL BE Ex'd IP65 NICKEL PLATED BRASS TYPE GLANDS
 14. ALL DIMENSIONS IN mm.
 15. EXTERNAL EARTH BOLT AND RELATED PARTS ARE ALL COPPER.
 16. INDICATION LAMP VOLTAGE: 24VDC

REF DRAWINGS	DWG.No.
Wiring Diagram	3944-VD-0171-DYP-RE-400-DIA-0002
I/O List	3944-VD-0171-DYP-RE-400-LST-0080
E&I System Config Diag.	3944-VD-0171-DYP-RE-400-DIA-0078

LEGEND

RESULT CODE: AP AN CO RE RESUBMISSION DATE:

NEXT STATUS: IFI IFA IAF ASB/IFIN

Approval or review hereunder shall not be construed to relieve Vendor/ Subcontractor of his responsibilities and liability under the Contract.

P.O. NO.:

M.R. NO.:

ITEM NO. (EQUIPMENT NO.):

VENDRO JOB NO.:

05/23/Jan/25	ISSUED FOR APPROVAL	RT	RB	SC	-	
04/31/Oct/25	ISSUED FOR APPROVAL	RT	RB	SC	-	
03/26/Aug/25	ISSUED FOR APPROVAL	RT	RB	SC	-	
02/16/Jul/25	ISSUED FOR APPROVAL	RT	RB	SC	-	
01/25/Apr/25	ISSUED FOR APPROVAL	RT	RB	SC	-	
00/24/Mar/25	ISSUED FOR APPROVAL	RT	RB	SC	-	
REV.	DATE	PURPOSE OF ISSUE (P.O.I.)	PREP.	CHKD.	APPR.	AC.

OWNER:



PROJECT:

300 KT POLYETHYLENE PLANT
ARYA SASOL POLYMER COMPANY (ASPC)

MC:



CONTRACTOR:



VENDOR:



DRAWING TITLE:

PANEL LAYOUT DRAWING
LOCAL CONTROL PANEL 44LCP-8004021
44C-80001B

OWNER DOC. NO.

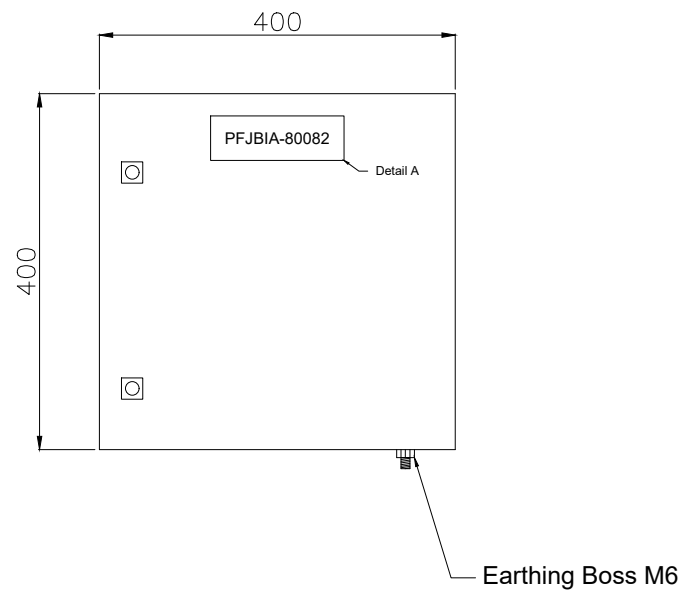
OWNER PROJECT NO. | VENDOR DWG. | MR NO. | VENDOR CODE | DISCIPLINE | UNIT | TYPE | SEQ.

3944 | VD | 0171 | DYP | RE | 400 | DWG | 0003

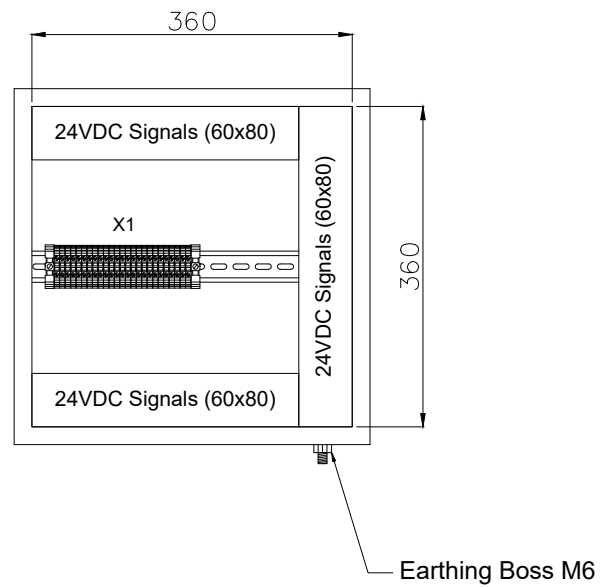
SCALE: NONE | SIZE: A0 | SHEET NO. 11 OF 34 | REV. 05

PFJBIA-80082

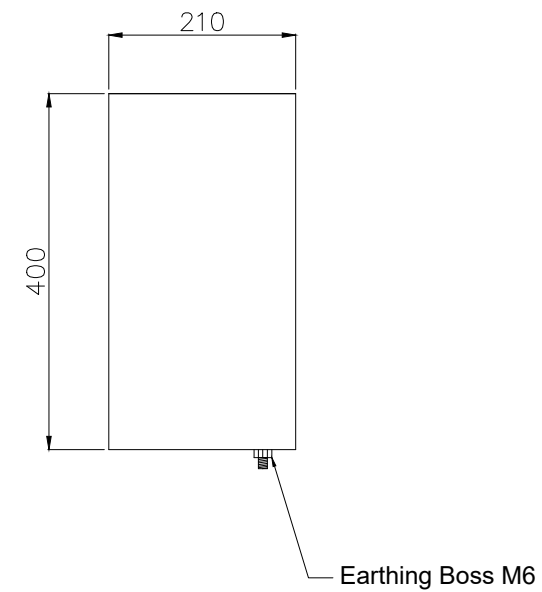
Front Side (Outside) View



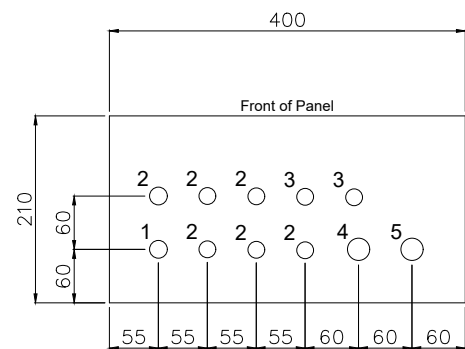
Front Side (Inside) View



Side (Outside) View



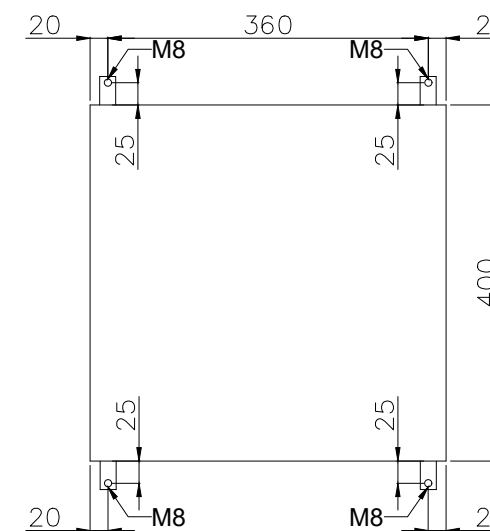
Bottom View



Gland Entry Details

1. M20 - 1x (Breather)
2. M20 - 6x (Cables from Transmitters)
3. M20 - 2x (Spare)
4. M25 - 1x (Multipair Cable from Customer)
5. M25 - 1x (Spare)

Back (Outside) View Mounting Details



GENERAL NOTES

- NOTES
1. PANEL DIMENSIONS: 400x400x210mm
 2. PANEL MATERIAL: SS316L STAINLESS STEEL
 3. PANEL COLOR: RAL7032 (GRAY)
 4. PANEL WALL THICKNESS: 1.6mm
 5. PANEL WEIGHT: ~15Kg
 6. PANEL WILL BE RIGHT HINGED
 7. AREA CLASSIFICATION: Ex II 3G IIC T3 Eex'e'
 8. AMBIENT TEMPERATURE: 5°C/+48°C
 9. INGRESS PROTECTION: IP65
 10. CABLE RACEWAYS SHALL HAVE NO LESS THAN 20% SPARE CAPACITY.
 11. DIN RAIL TYPE: NS35
 12. SPARES WILL BE PLUGGED WITH SUS EX PLUG
 13. GLANDS WILL BE Ex'd IP65 NICKEL PLATED BRASS TYPE GLANDS
 14. ALL DIMENSIONS IN mm.
 15. EXTERNAL EARTH BOLT AND RELATED PARTS ARE ALL COPPER.

REF DRAWINGS	DWG.No.
Wiring Diagram	3944-VD-0171-DYP-RE-400-DIA-0002
I/O List	3944-VD-0171-DYP-RE-400-LST-0080
E&I System Config Diag.	3944-VD-0171-DYP-RE-400-DIA-0078

LEGEND

RESULT CODE: AP AN CO RE RESUBMISSION DATE:

NEXT STATUS: IFI IFA JAF ASB/IFIN

Approval or review hereunder shall not be construed to relieve Vendor/ Subcontractor of his responsibilities and liability under the Contract.

P.O. NO.:

M.R. NO.:

ITEM NO. (EQUIPMENT NO.):

VENDRO JOB NO.:

REV.	DATE	PURPOSE OF ISSUE (P.O.I.)	PREP.	CHKD.	APPR.	AC.
05	23/Jan/25	ISSUED FOR APPROVAL	RT	RB	SC	-
04	31/Oct/25	ISSUED FOR APPROVAL	RT	RB	SC	-
03	26/Aug/25	ISSUED FOR APPROVAL	RT	RB	SC	-
02	16/Jul/25	ISSUED FOR APPROVAL	RT	RB	SC	-
01	25/Apr/25	ISSUED FOR APPROVAL	RT	RB	SC	-
00	24/Mar/25	ISSUED FOR APPROVAL	RT	RB	SC	-

OWNER:



PROJECT:

300 KT POLYETHYLENE PLANT
ARYA SASOL POLYMER COMPANY (ASPC)

MC:



CONTRACTOR:



VENDOR:



DRAWING TITLE:

PANEL LAYOUT DRAWING
LOCAL CONTROL PANEL PFJBIA-80082
44C-80001B

OWNER DOC. NO.

OWNER PROJECT NO. VENDOR DWG. MR NO. VENDOR CODE DISCIPLINE UNIT TYPE SEQ.

3944 VD 0171 DYP RE 400 DWG 0003

SCALE: NONE SIZE: A0 SHEET NO. 12 OF 34 REV. 05

No.	Description	Tag Number	Make	Model	Qty.
1	Running Indication Lamp (Green)	3H4	TBD	TBD	1
2	Fault Indication Lamp (Amber)	3H6	TBD	TBD	1
3	Start Pushbutton (Green)	2S4	TBD	TBD	1
4	Stop Pushbutton (Red)	2S6	TBD	TBD	1
5	Lamp Test Pushbutton (Black)	2S8	TBD	TBD	1
Terminal Strip Definition					
X1	Connection Pushbuttons & Lamps	X1	Phoenix Contact	3044102	21

GENERAL NOTES

NOTES
1. BILL OF MATERIALS (BOM) AS PER THE LATEST WIRING DIAGRAM.

REF DRAWINGS	DWG.No.
Wiring Diagram	3944-VD-0171-DYP-RE-400-DIA-0002
I/O List	3944-VD-0171-DYP-RE-400-LST-0080
E&I System Config Diag.	3944-VD-0171-DYP-RE-400-DIA-0078

LEGEND

RESULT CODE: AP AN CO RE RESUBMISSION DATE:

NEXT STATUS: IFI IFA AFC ASB/IFIN

Approval or review hereunder shall not be construed to relieve Vendor/ Subcontractor of his responsibilities and liability under the Contract.

P.O. NO.:
M.R. NO.:
ITEM NO. (EQUIPMENT NO.):
VENDRO JOB NO.:

05	23/Jan/25	ISSUED FOR APPROVAL	RT	RB	SC	-
04	31/Oct/25	ISSUED FOR APPROVAL	RT	RB	SC	-
03	26/Aug/25	ISSUED FOR APPROVAL	RT	RB	SC	-
02	16/Jul/25	ISSUED FOR APPROVAL	RT	RB	SC	-
01	25/Apr/25	ISSUED FOR APPROVAL	RT	RB	SC	-
00	24/Mar/25	ISSUED FOR APPROVAL	RT	RB	SC	-

REV. DATE PURPOSE OF ISSUE (P.O.I) PREP. CHKD. APPR. AC.



PROJECT:
300 KT POLYETHYLENE PLANT
ARYA SASOL POLYMER COMPANY (ASPC)



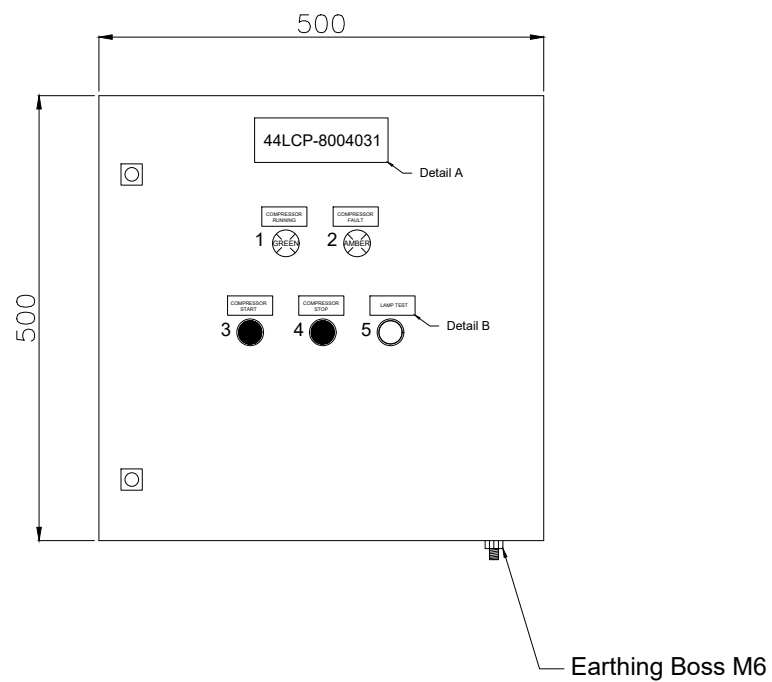
DRAWING TITLE:
PANEL LAYOUT DRAWING
BILL OF MATERIALS FOR
LOCAL CONTROL PANEL 44LCP-8004031

OWNER	PROJECT NO.	VENDOR DWG.	MR NO.	VENDOR CODE	DISCIPLINE	UNIT	TYPE	SEQ.
3944	VD	0171	DYP	RE	400	DWG	0003	

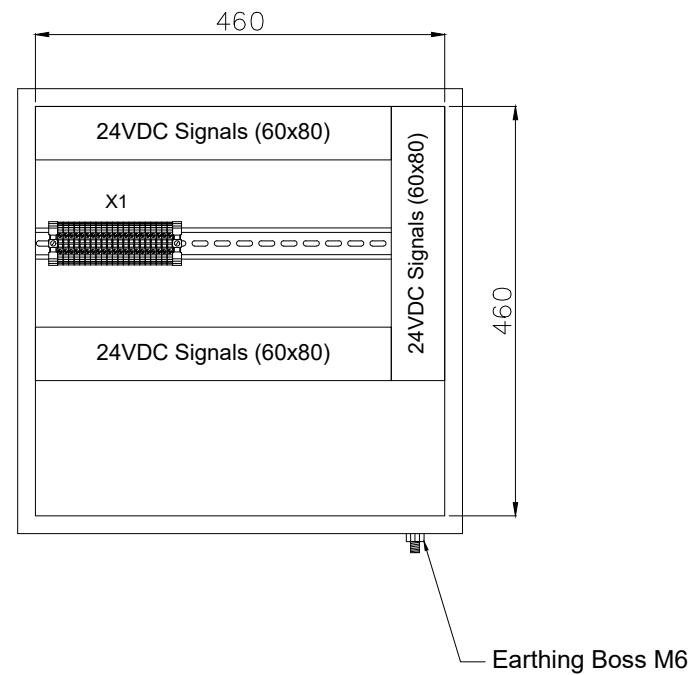
SCALE: NONE SIZE: A0 SHEET NO. 13 OF 34 REV. 05

44LCP-8004031

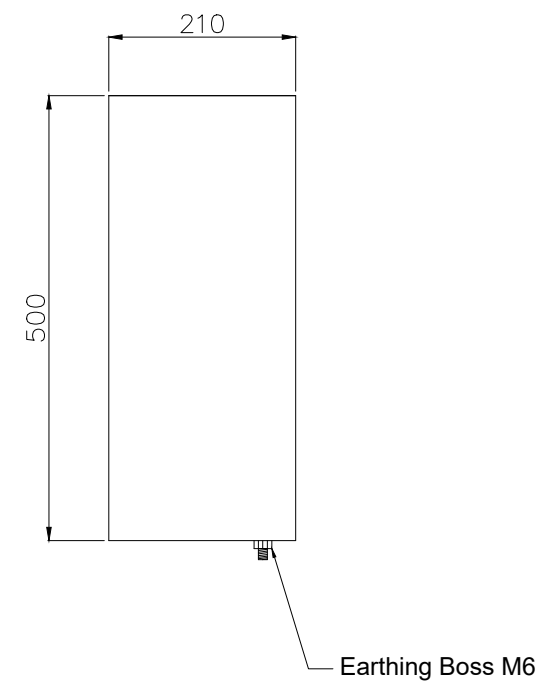
Front Side (Outside) View



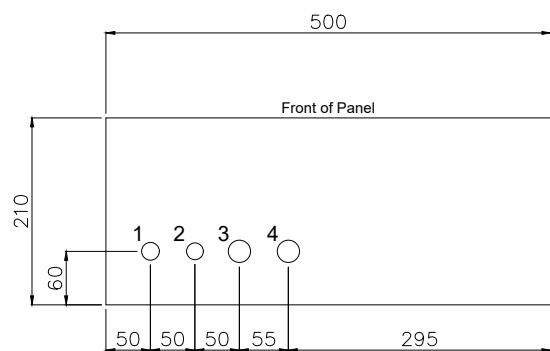
Front Side (Inside) View



Side (Outside) View



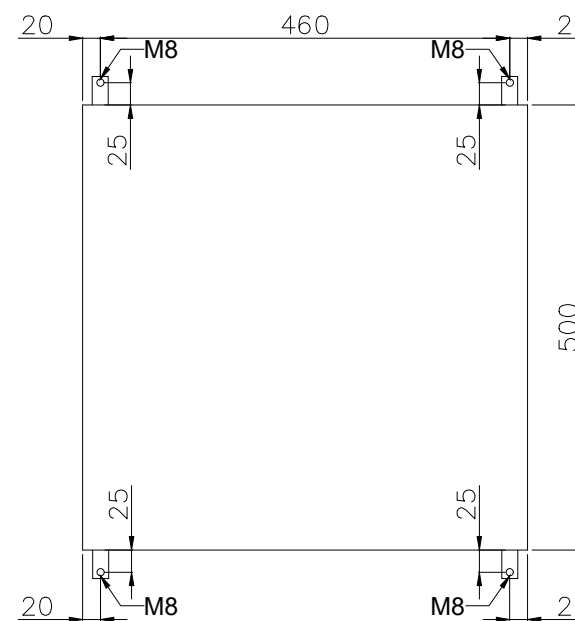
Bottom View



Gland Entry Details

1. M20 - 1x (Breather)
2. M20 - 1x (Spare)
3. M25 - 1x (Cable for Pushbuttons & Lamps)
4. M25 - 1x (Spare)

Back (Outside) View Mounting Details



GENERAL NOTES	
NOTES	
1. PANEL DIMENSIONS: 500x500x210mm	
2. PANEL MATERIAL: SS316L STAINLESS STEEL	
3. PANEL COLOR: RAL7032 (GRAY)	
4. PANEL WALL THICKNESS: 1.6mm	
5. PANEL WEIGHT: ~20kg	
6. PANEL WILL BE RIGHT HINGED	
7. AREA CLASSIFICATION: Ex II 3G IIC T3 Eex'e'	
8. AMBIENT TEMPERATURE: 5°C/+48°C	
9. INGRESS PROTECTION: IP65	
10. CABLE RACEWAYS SHALL HAVE NO LESS THAN 20% SPARE CAPACITY.	
11. DIN RAIL TYPE: NS35	
12. SPARES WILL BE PLUGGED WITH SUS Ex PLUG	
13. GLANDS WILL BE Ex'd IP65 NICKEL PLATED BRASS TYPE GLANDS	
14. ALL DIMENSIONS IN mm.	
15. EXTERNAL EARTH BOLT AND RELATED PARTS ARE ALL COPPER.	
16. INDICATION LAMP VOLTAGE: 24VDC	

REF DRAWINGS	DWG.No.
Wiring Diagram	3944-VD-0171-DYP-RE-400-DIA-0002
I/O List	3944-VD-0171-DYP-RE-400-LST-0080
E&I System Config Diag.	3944-VD-0171-DYP-RE-400-DIA-0078

LEGEND

RESULT CODE: AP AN CO RE RESUBMISSION DATE:

NEXT STATUS: IFI IFA IAF ASB/IFIN

Approval or review hereunder shall not be construed to relieve Vendor/ Subcontractor of his responsibilities and liability under the Contract.

P.O. NO.:

M.R. NO.:

ITEM NO. (EQUIPMENT NO.):

VENDRO JOB NO.:

REV.	DATE	PURPOSE OF ISSUE (P.O.I.)	PREP.	CHKD.	APPR.	AC.
05	23/Jan/25	ISSUED FOR APPROVAL	RT	RB	SC	-
04	31/Oct/25	ISSUED FOR APPROVAL	RT	RB	SC	-
03	26/Aug/25	ISSUED FOR APPROVAL	RT	RB	SC	-
02	16/Jul/25	ISSUED FOR APPROVAL	RT	RB	SC	-
01	25/Apr/25	ISSUED FOR APPROVAL	RT	RB	SC	-
00	24/Mar/25	ISSUED FOR APPROVAL	RT	RB	SC	-

OWNER:



PROJECT:

300 KT POLYETHYLENE PLANT
ARYA SASOL POLYMER COMPANY (ASPC)

MC:



DRAWING TITLE:

PANEL LAYOUT DRAWING
LOCAL CONTROL PANEL 44LCP-8004031
44C-80002A

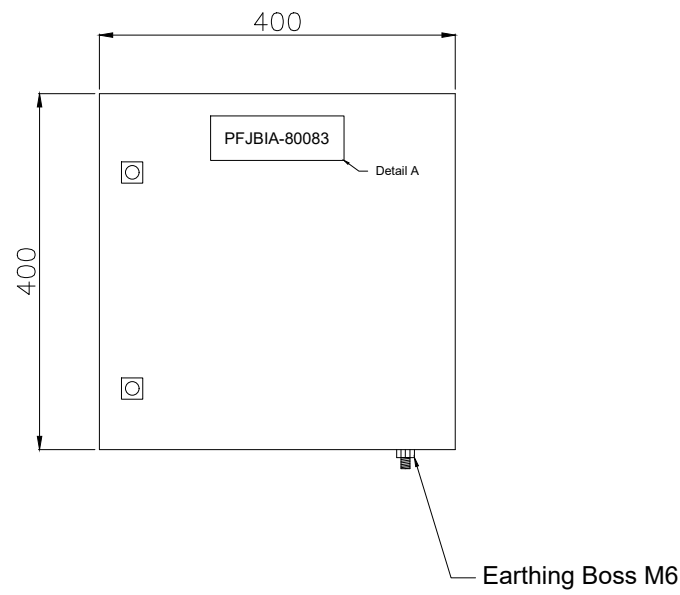
OWNER PROJECT NO. | VENDOR DWG. | MR NO. | VENDOR CODE | DISCIPLINE | UNIT | TYPE | SEQ.

3944 | VD | 0171 | DYP | RE | 400 | DWG | 0003

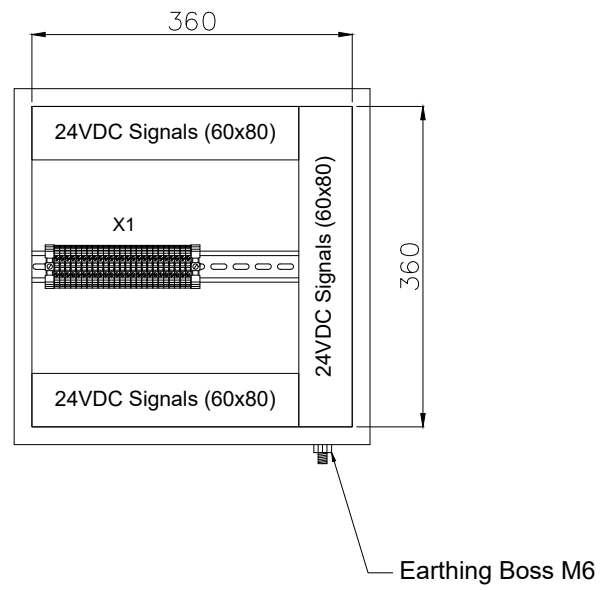
SCALE: NONE | SIZE: A0 | SHEET NO. 14 OF 34 | REV. 05

PFJBIA-80083

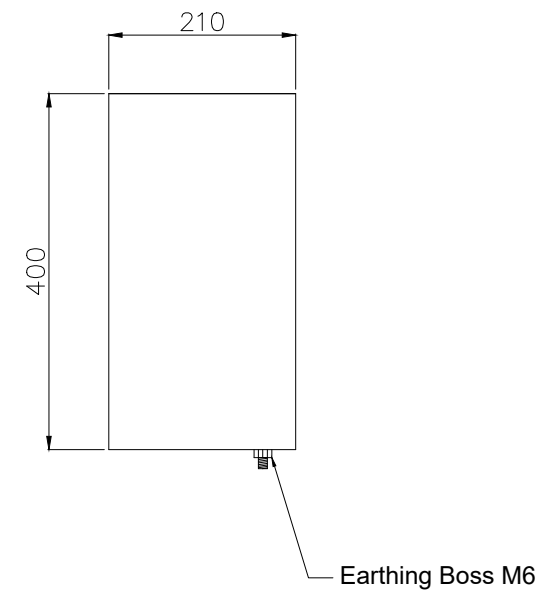
Front Side (Outside) View



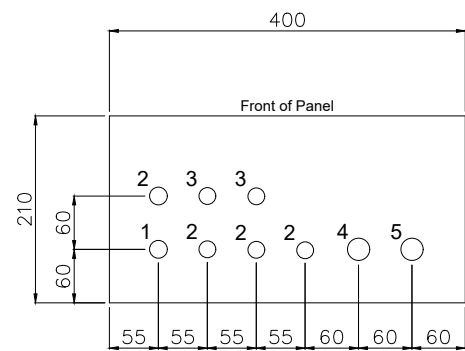
Front Side (Inside) View



Side (Outside) View



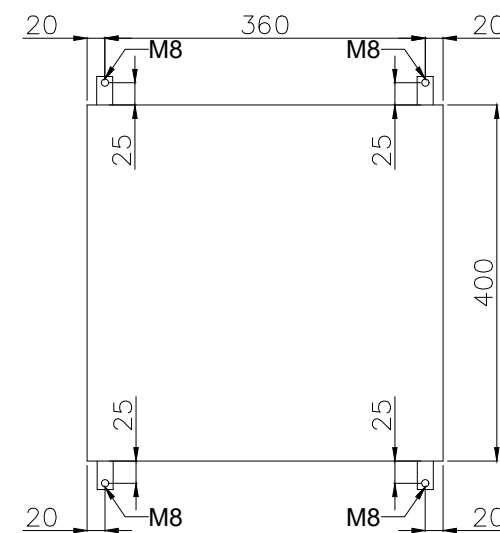
Bottom View



Gland Entry Details

1. M20 - 1x (Breather)
2. M20 - 4x (Cables from Transmitters)
3. M20 - 2x (Spare)
4. M25 - 1x (Multipair Cable from Customer)
5. M25 - 1x (Spare)

Back (Outside) View Mounting Details



GENERAL NOTES

- NOTES
1. PANEL DIMENSIONS: 400x400x210mm
 2. PANEL MATERIAL: SS316L STAINLESS STEEL
 3. PANEL COLOR: RAL7032 (GRAY)
 4. PANEL WALL THICKNESS: 1.6mm
 5. PANEL WEIGHT: ~15Kg
 6. PANEL WILL BE RIGHT HINGED
 7. AREA CLASSIFICATION: Ex II 3G IIC T3 Eex'e'
 8. AMBIENT TEMPERATURE: 5°C/+48°C
 9. INGRESS PROTECTION: IP65
 10. CABLE RACEWAYS SHALL HAVE NO LESS THAN 20% SPARE CAPACITY.
 11. DIN RAIL TYPE: NS35
 12. SPARES WILL BE PLUGGED WITH SUS EX PLUG
 13. GLANDS WILL BE Ex'd IP65 NICKEL PLATED BRASS TYPE GLANDS
 14. ALL DIMENSIONS IN mm.
 15. EXTERNAL EARTH BOLT AND RELATED PARTS ARE ALL COPPER.

REF DRAWINGS	DWG.No.
Wiring Diagram	3944-VD-0171-DYP-RE-400-DIA-0002
I/O List	3944-VD-0171-DYP-RE-400-LST-0080
E&I System Config Diag.	3944-VD-0171-DYP-RE-400-DIA-0078

LEGEND

RESULT CODE: AP AN CO RE RESUBMISSION DATE:

NEXT STATUS: IFI IFA JAF ASB/IFIN

Approval or review hereunder shall not be construed to relieve Vendor/ Subcontractor of his responsibilities and liability under the Contract.

P.O. NO.:

M.R. NO.:

ITEM NO. (EQUIPMENT NO.):

VENDRO JOB NO.:

REV.	DATE	PURPOSE OF ISSUE (P.O.I.)	PREP.	CHKD.	APPR.	AC.
05	23/Jan/25	ISSUED FOR APPROVAL	RT	RB	SC	-
04	31/Oct/25	ISSUED FOR APPROVAL	RT	RB	SC	-
03	26/Aug/25	ISSUED FOR APPROVAL	RT	RB	SC	-
02	16/Jul/25	ISSUED FOR APPROVAL	RT	RB	SC	-
01	25/Apr/25	ISSUED FOR APPROVAL	RT	RB	SC	-
00	24/Mar/25	ISSUED FOR APPROVAL	RT	RB	SC	-

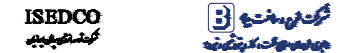
OWNER:



PROJECT:

300 KT POLYETHYLENE PLANT
ARYA SASOL POLYMER COMPANY (ASPC)

MC:



CONTRACTOR:



VENDOR:



DRAWING TITLE:

PANEL LAYOUT DRAWING
LOCAL CONTROL PANEL PFJBIA-80083
44C-80002A

OWNER DOC. NO.

OWNER PROJECT NO. VENDOR DWG. MR NO. VENDOR CODE DISCIPLINE UNIT TYPE SEQ.

3944 VD 0171 DYP RE 400 DWG 0003

SCALE: NONE SIZE: A0 SHEET NO. 15 OF 34 REV. 05

No.	Description	Tag Number	Make	Model	Qty.
1	Running Indication Lamp (Green)	3H4	TBD	TBD	1
2	Fault Indication Lamp (Amber)	3H6	TBD	TBD	1
3	Start Pushbutton (Green)	2S4	TBD	TBD	1
4	Stop Pushbutton (Red)	2S6	TBD	TBD	1
5	Lamp Test Pushbutton (Black)	2S8	TBD	TBD	1
Terminal Strip Definition					
X1	Connection Pushbuttons & Lamps	X1	Phoenix Contact	3044102	21

GENERAL NOTES

NOTES
1. BILL OF MATERIALS (BOM) AS PER THE LATEST WIRING DIAGRAM.

REF DRAWINGS	DWG.No.
Wiring Diagram	3944-VD-0171-DYP-RE-400-DIA-0002
I/O List	3944-VD-0171-DYP-RE-400-LST-0080
E&I System Config Diag.	3944-VD-0171-DYP-RE-400-DIA-0078

LEGEND

RESULT CODE: AP AN CO RE RESUBMISSION DATE:

NEXT STATUS: IFI IFA AFC ASB/IFIN

Approval or review hereunder shall not be construed to relieve Vendor/ Subcontractor of his responsibilities and liability under the Contract.

P.O. NO.:
M.R. NO.:
ITEM NO. (EQUIPMENT NO.):
VENDRO JOB NO.:

REV.	DATE	PURPOSE OF ISSUE (P.O.I.)	PREP.	CHKD.	APPR.	AC.
05	23/Jan/25	ISSUED FOR APPROVAL	RT	RB	SC	-
04	31/Oct/25	ISSUED FOR APPROVAL	RT	RB	SC	-
03	26/Aug/25	ISSUED FOR APPROVAL	RT	RB	SC	-
02	16/Jul/25	ISSUED FOR APPROVAL	RT	RB	SC	-
01	25/Apr/25	ISSUED FOR APPROVAL	RT	RB	SC	-
00	24/Mar/25	ISSUED FOR APPROVAL	RT	RB	SC	-

OWNER:


PROJECT:
300 KT POLYETHYLENE PLANT
ARYA SASOL POLYMER COMPANY (ASPC)

MC:
 

CONTRACTOR:
 

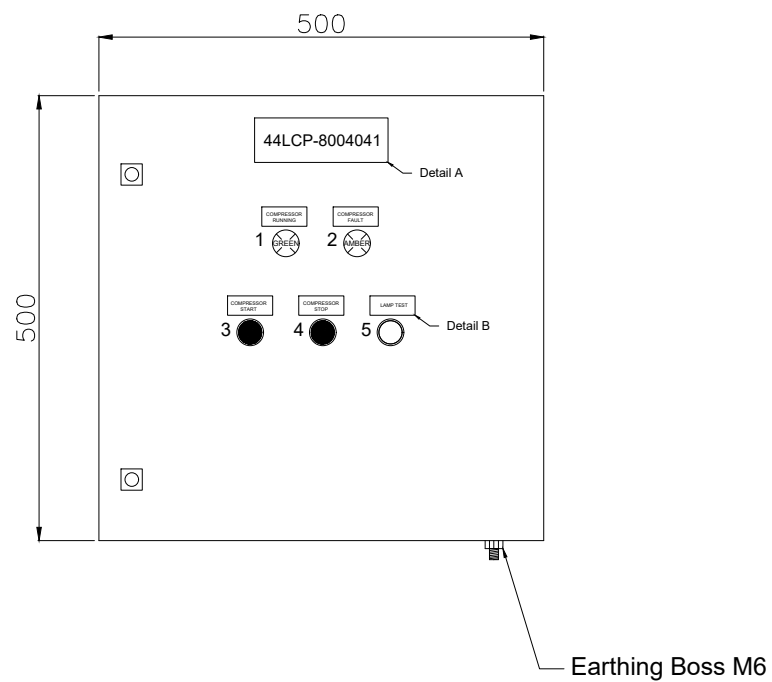
VENDOR:


DRAWING TITLE:
PANEL LAYOUT DRAWING
BILL OF MATERIALS FOR
LOCAL CONTROL PANEL 44LCP-8004041

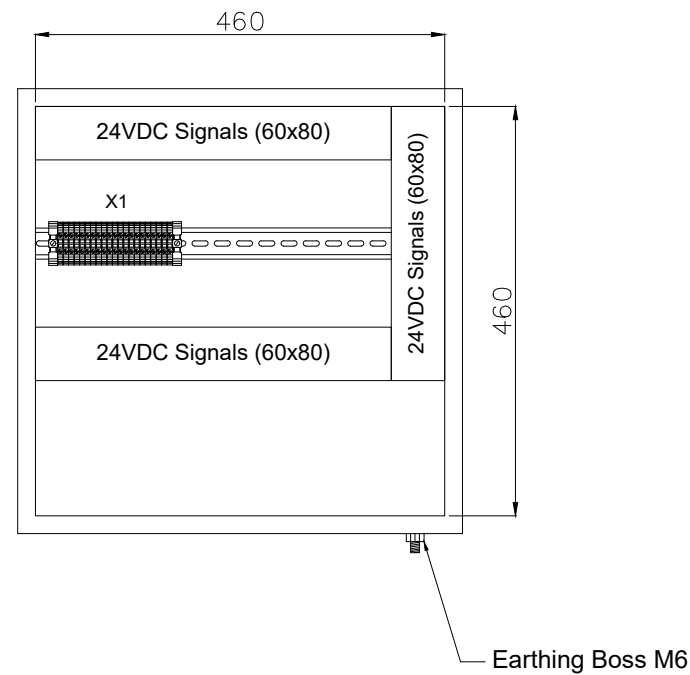
OWNER PROJECT NO.	VENDOR DWG.	MR NO.	VENDOR CODE	DISCIPLINE	UNIT	TYPE	SEQ.
3944	VD	0171	DYP	RE	400	DWG	0003
SCALE:	NONE	SIZE:	A0	SHEET NO.	16 OF 34	REV.	05

44LCP-8004041

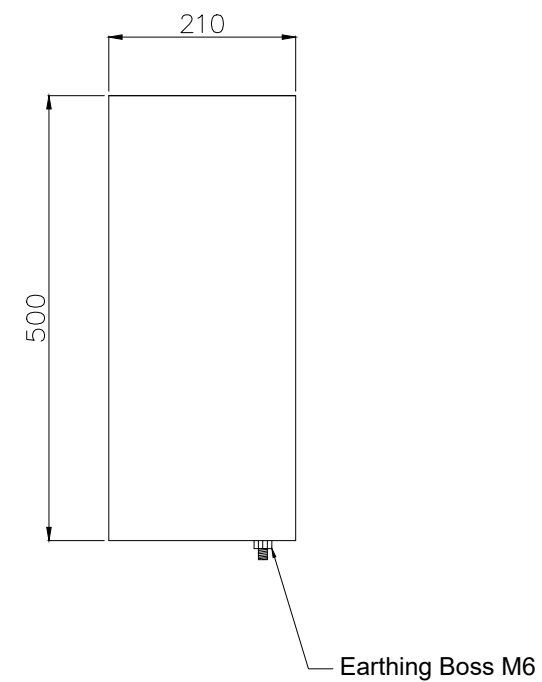
Front Side (Outside) View



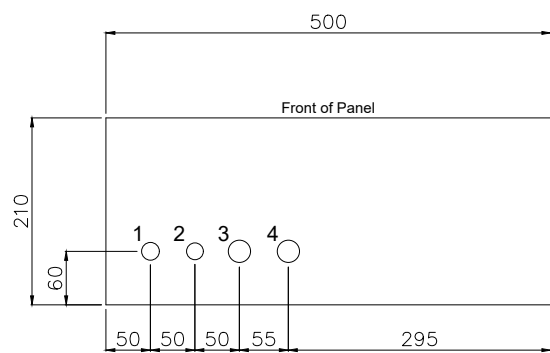
Front Side (Inside) View



Side (Outside) View



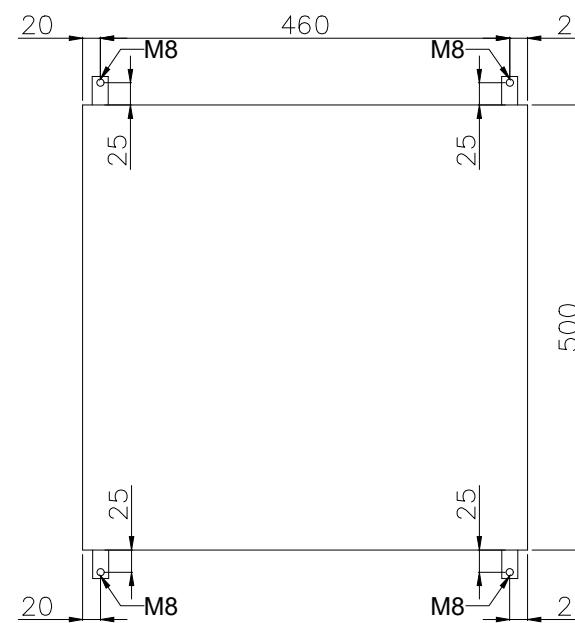
Bottom View



Gland Entry Details

1. M20 - 1x (Breather)
2. M20 - 1x (Spare)
3. M25 - 1x (Cable for Pushbuttons & Lamps)
4. M25 - 1x (Spare)

Back (Outside) View Mounting Details



GENERAL NOTES

- NOTES
1. PANEL DIMENSIONS: 500x500x210mm
 2. PANEL MATERIAL: SS316L STAINLESS STEEL
 3. PANEL COLOR: RAL7032 (GRAY)
 4. PANEL WALL THICKNESS: 1.6mm
 5. PANEL WEIGHT: ~20Kg
 6. PANEL WILL BE RIGHT HINGED
 7. AREA CLASSIFICATION: Ex II 3G IIC T3 Eex'e'
 8. AMBIENT TEMPERATURE: 5°C/+48°C
 9. INGRESS PROTECTION: IP65
 10. CABLE RACEWAYS SHALL HAVE NO LESS THAN 20% SPARE CAPACITY.
 11. DIN RAIL TYPE: NS35
 12. SPARES WILL BE PLUGGED WITH SUS EX PLUG
 13. GLANDS WILL BE Ex'd IP65 NICKEL PLATED BRASS TYPE GLANDS
 14. ALL DIMENSIONS IN mm.
 15. EXTERNAL EARTH BOLT AND RELATED PARTS ARE ALL COPPER.
 16. INDICATION LAMP VOLTAGE: 24VDC

REF DRAWINGS	DWG.No.
Wiring Diagram	3944-VD-0171-DYP-RE-400-DIA-0002
I/O List	3944-VD-0171-DYP-RE-400-LST-0080
E&I System Config Diag.	3944-VD-0171-DYP-RE-400-DIA-0078

LEGEND

RESULT CODE: AP AN CO RE RESUBMISSION DATE:

NEXT STATUS: IFI IFA IAF ASB/IFIN

Approval or review hereunder shall not be construed to relieve Vendor/ Subcontractor of his responsibilities and liability under the Contract.

P.O. NO.:

M.R. NO.:

ITEM NO. (EQUIPMENT NO.):

VENDRO JOB NO.:

REV.	DATE	PURPOSE OF ISSUE (P.O.I.)	PREP.	CHKD.	APPR.	AC.
05	23/Jan/25	ISSUED FOR APPROVAL	RT	RB	SC	-
04	31/Oct/25	ISSUED FOR APPROVAL	RT	RB	SC	-
03	26/Aug/25	ISSUED FOR APPROVAL	RT	RB	SC	-
02	16/Jul/25	ISSUED FOR APPROVAL	RT	RB	SC	-
01	25/Apr/25	ISSUED FOR APPROVAL	RT	RB	SC	-
00	24/Mar/25	ISSUED FOR APPROVAL	RT	RB	SC	-

OWNER:



PROJECT:

300 KT POLYETHYLENE PLANT
ARYA SASOL POLYMER COMPANY (ASPC)

MC:



DRAWING TITLE:

PANEL LAYOUT DRAWING
LOCAL CONTROL PANEL 44LCP-8004041
44C-80002B

OWNER DOC. NO.

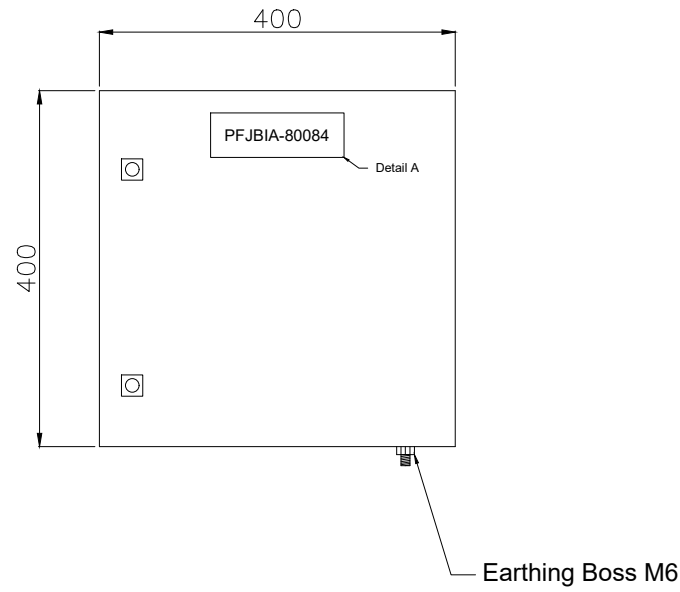
OWNER PROJECT NO. | VENDOR DWG. | MR NO. | VENDOR CODE | DISCIPLINE | UNIT | TYPE | SEQ.

3944 | VD | 0171 | DYP | RE | 400 | DWG | 0003

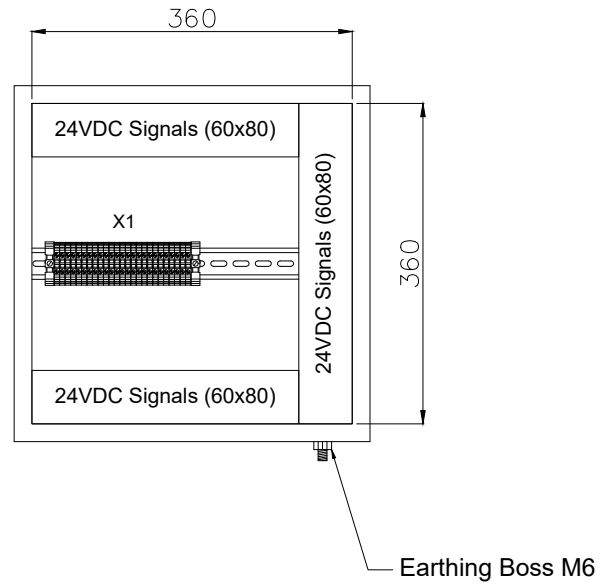
SCALE: NONE | SIZE: A0 | SHEET NO. 17 OF 34 | REV. 05

PFJBIA-80084

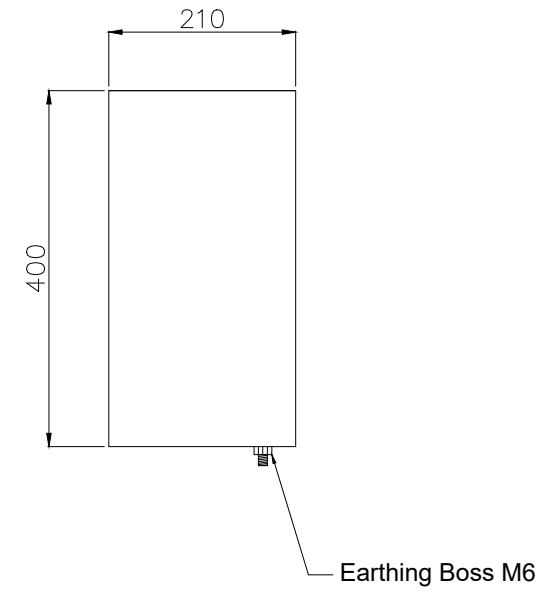
Front Side (Outside) View



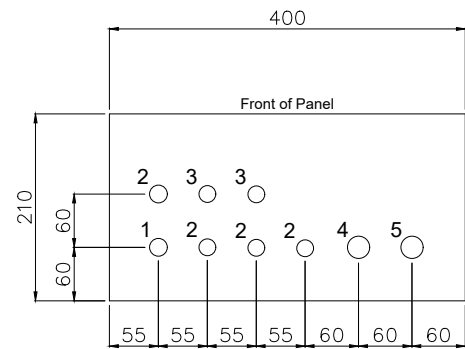
Front Side (Inside) View



Side (Outside) View



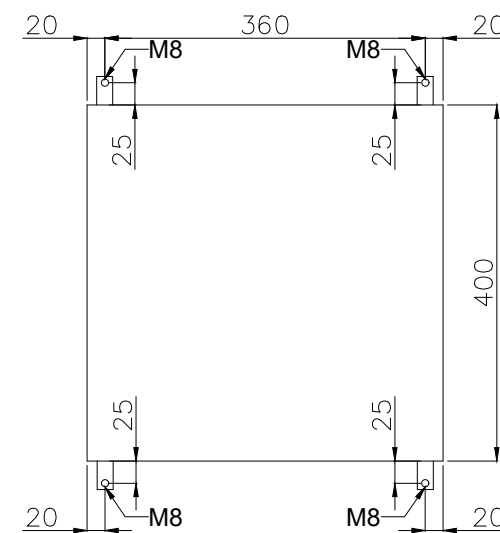
Bottom View



Gland Entry Details

1. M20 - 1x (Breather)
2. M20 - 4x (Cables from Transmitters)
3. M20 - 2x (Spare)
4. M25 - 1x (Multipair Cable from Customer)
5. M25 - 1x (Spare)

Back (Outside) View Mounting Details



GENERAL NOTES

- NOTES
1. PANEL DIMENSIONS: 400x400x210mm
 2. PANEL MATERIAL: SS316L STAINLESS STEEL
 3. PANEL COLOR: RAL7032 (GRAY)
 4. PANEL WALL THICKNESS: 1.6mm
 5. PANEL WEIGHT: ~15Kg
 6. PANEL WILL BE RIGHT HINGED
 7. AREA CLASSIFICATION: Ex II 3G IIC T3 Eex'e'
 8. AMBIENT TEMPERATURE: 5°C/+48°C
 9. INGRESS PROTECTION: IP65
 10. CABLE RACEWAYS SHALL HAVE NO LESS THAN 20% SPARE CAPACITY.
 11. DIN RAIL TYPE: NS35
 12. SPARES WILL BE PLUGGED WITH SUS EX PLUG
 13. GLANDS WILL BE Ex'd IP65 NICKEL PLATED BRASS TYPE GLANDS
 14. ALL DIMENSIONS IN mm.
 15. EXTERNAL EARTH BOLT AND RELATED PARTS ARE ALL COPPER.

REF DRAWINGS	DWG.No.
Wiring Diagram	3944-VD-0171-DYP-RE-400-DIA-0002
I/O List	3944-VD-0171-DYP-RE-400-LST-0080
E&I System Config Diag.	3944-VD-0171-DYP-RE-400-DIA-0078

LEGEND

RESULT CODE: AP AN CO RE RESUBMISSION DATE:

NEXT STATUS: IFI IFA IAF ASB/IFIN

Approval or review hereunder shall not be construed to relieve Vendor/ Subcontractor of his responsibilities and liability under the Contract.

P.O. NO.:

M.R. NO.:

ITEM NO. (EQUIPMENT NO.):

VENDRO JOB NO.:

REV.	DATE	PURPOSE OF ISSUE (P.O.I.)	PREP.	CHKD.	APPR.	AC.
05	23/Jan/25	ISSUED FOR APPROVAL	RT	RB	SC	-
04	31/Oct/25	ISSUED FOR APPROVAL	RT	RB	SC	-
03	26/Aug/25	ISSUED FOR APPROVAL	RT	RB	SC	-
02	16/Jul/25	ISSUED FOR APPROVAL	RT	RB	SC	-
01	25/Apr/25	ISSUED FOR APPROVAL	RT	RB	SC	-
00	24/Mar/25	ISSUED FOR APPROVAL	RT	RB	SC	-

OWNER:



PROJECT:

300 KT POLYETHYLENE PLANT
ARYA SASOL POLYMER COMPANY (ASPC)

MC:



CONTRACTOR:



DRAWING TITLE:

PANEL LAYOUT DRAWING
LOCAL CONTROL PANEL PFJBIA-80084
44C-80002B

OWNER DOC. NO.

OWNER PROJECT NO.	VENDOR DWG.	MR NO.	VENDOR CODE	DISCIPLINE	UNIT	TYPE	SEQ.
3944	VD	0171	DYP	RE	400	DWG	0003

SCALE: NONE SIZE: A0 SHEET NO. 18 OF 34 REV. 05

No.	Description	Tag Number	Make	Model	Qty.
1	Running Indication Lamp (Green)	3H4	TBD	TBD	1
2	Fault Indication Lamp (Amber)	3H6	TBD	TBD	1
3	Start Pushbutton (Green)	2S4	TBD	TBD	1
4	Stop Pushbutton (Red)	2S6	TBD	TBD	1
5	Lamp Test Pushbutton (Black)	2S8	TBD	TBD	1
Terminal Strip Definition					
X1	Connection Pushbuttons & Lamps	X1	Phoenix Contact	3044102	21

GENERAL NOTES

NOTES
1. BILL OF MATERIALS (BOM) AS PER THE LATEST WIRING DIAGRAM.

REF DRAWINGS	DWG.No.
Wiring Diagram	3944-VD-0171-DYP-RE-400-DIA-0002
I/O List	3944-VD-0171-DYP-RE-400-LST-0080
E&I System Config Diag.	3944-VD-0171-DYP-RE-400-DIA-0078

LEGEND

RESULT CODE: AP AN CO RE

NEXT STATUS: IFI IFA AFC ASB/IFIN

Approval or review hereunder shall not be construed to relieve Vendor/ Subcontractor of his responsibilities and liability under the Contract.

P.O. NO.:
M.R. NO.:
ITEM NO. (EQUIPMENT NO.):
VENDRO JOB NO.:

REV.	DATE	PURPOSE OF ISSUE (P.O.I.)	PREP.	CHKD.	APPR.	AC.
05	23/Jan/25	ISSUED FOR APPROVAL	RT	RB	SC	-
04	31/Oct/25	ISSUED FOR APPROVAL	RT	RB	SC	-
03	26/Aug/25	ISSUED FOR APPROVAL	RT	RB	SC	-
02	16/Jul/25	ISSUED FOR APPROVAL	RT	RB	SC	-
01	25/Apr/25	ISSUED FOR APPROVAL	RT	RB	SC	-
00	24/Mar/25	ISSUED FOR APPROVAL	RT	RB	SC	-

OWNER:


PROJECT:
300 KT POLYETHYLENE PLANT
ARYA SASOL POLYMER COMPANY (ASPC)

MC:
 

CONTRACTOR:
 

VENDOR:


DRAWING TITLE:
PANEL LAYOUT DRAWING
BILL OF MATERIALS FOR
LOCAL CONTROL PANEL 44LCP-8004051

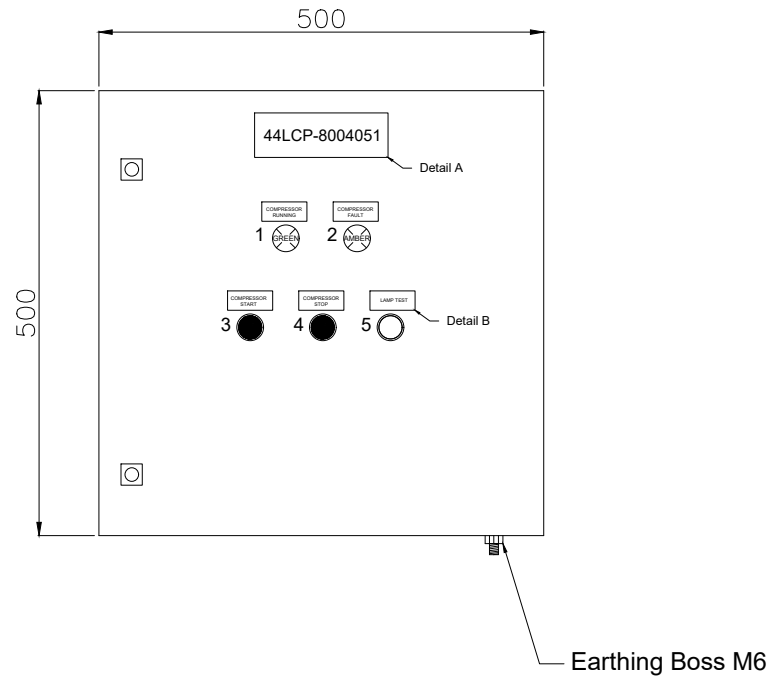
OWNER DOC. NO.

OWNER PROJECT NO.	VENDOR DWG.	MR NO.	VENDOR CODE	DISCIPLINE	UNIT	TYPE	SEQ.
3944	VD	0171	DYP	RE	400	DWG	0003

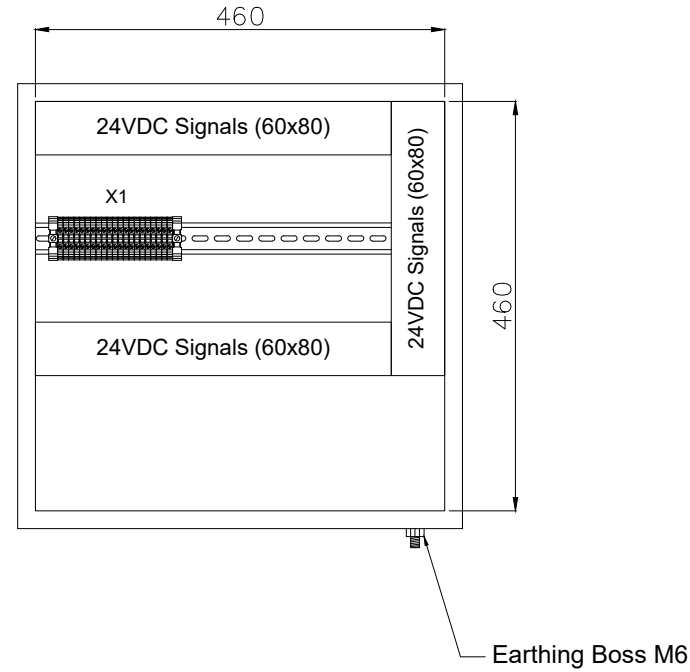
SCALE: NONE SIZE: A0 SHEET NO. 19 OF 34 REV. 05

44LCP-8004051

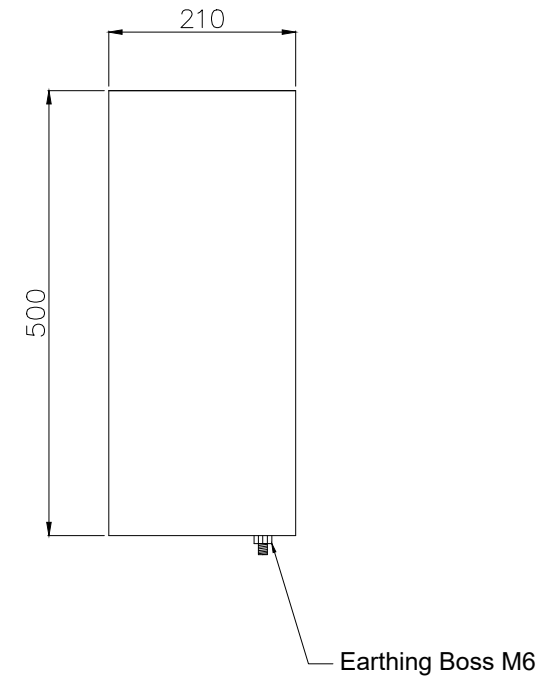
Front Side (Outside) View



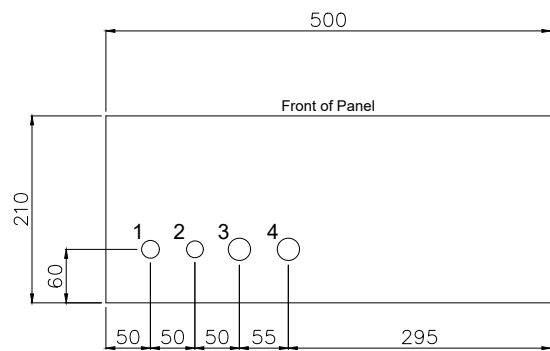
Front Side (Inside) View



Side (Outside) View



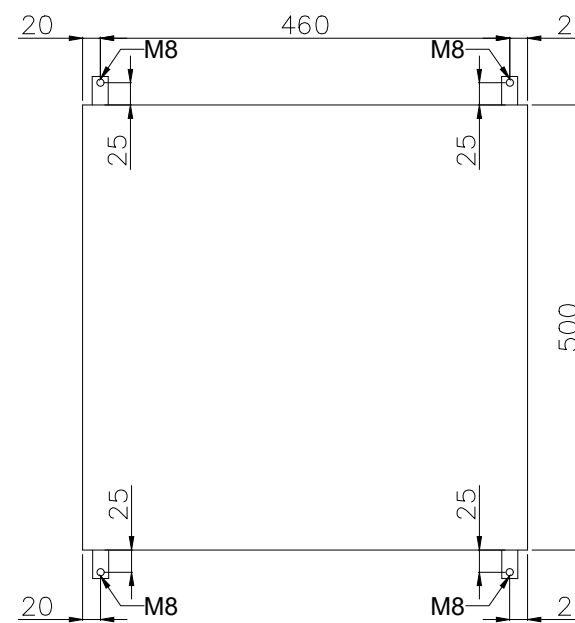
Bottom View



Gland Entry Details

1. M20 - 1x (Breather)
2. M20 - 1x (Spare)
3. M25 - 1x (Cable for Pushbuttons & Lamps)
4. M25 - 1x (Spare)

Back (Outside) View Mounting Details



GENERAL NOTES

- NOTES
1. PANEL DIMENSIONS: 500x500x210mm
 2. PANEL MATERIAL: SS316L STAINLESS STEEL
 3. PANEL COLOR: RAL7032 (GRAY)
 4. PANEL WALL THICKNESS: 1.6mm
 5. PANEL WEIGHT: ~20Kg
 6. PANEL WILL BE RIGHT HINGED
 7. AREA CLASSIFICATION: Ex II 3G IIC T3 Eex'e'
 8. AMBIENT TEMPERATURE: 5°C/+48°C
 9. INGRESS PROTECTION: IP65
 10. CABLE RACEWAYS SHALL HAVE NO LESS THAN 20% SPARE CAPACITY.
 11. DIN RAIL TYPE: NS35
 12. SPARES WILL BE PLUGGED WITH SUS EX PLUG
 13. GLANDS WILL BE Ex'd IP65 NICKEL PLATED BRASS TYPE GLANDS
 14. ALL DIMENSIONS IN mm.
 15. EXTERNAL EARTH BOLT AND RELATED PARTS ARE ALL COPPER.
 16. INDICATION LAMP VOLTAGE: 24VDC

REF DRAWINGS	DWG.No.
Wiring Diagram	3944-VD-0171-DYP-RE-400-DIA-0002
I/O List	3944-VD-0171-DYP-RE-400-LST-0080
E&I System Config Diag.	3944-VD-0171-DYP-RE-400-DIA-0078

LEGEND

RESULT CODE: AP AN CO RE RESUBMISSION DATE:

NEXT STATUS: IFI IFA IAF ASB/IFIN

Approval or review hereunder shall not be construed to relieve Vendor/ Subcontractor of his responsibilities and liability under the Contract.

P.O. NO.:

M.R. NO.:

ITEM NO. (EQUIPMENT NO.):

VENDRO JOB NO.:

REV.	DATE	PURPOSE OF ISSUE (P.O.I.)	PREP.	CHKD.	APPR.	AC.
05	23/Jan/25	ISSUED FOR APPROVAL	RT	RB	SC	--
04	31/Oct/25	ISSUED FOR APPROVAL	RT	RB	SC	--
03	26/Aug/25	ISSUED FOR APPROVAL	RT	RB	SC	--
02	16/Jul/25	ISSUED FOR APPROVAL	RT	RB	SC	--
01	25/Apr/25	ISSUED FOR APPROVAL	RT	RB	SC	--
00	24/Mar/25	ISSUED FOR APPROVAL	RT	RB	SC	--

OWNER:



PROJECT:

300 KT POLYETHYLENE PLANT
ARYA SASOL POLYMER COMPANY (ASPC)

MC:



DRAWING TITLE:

PANEL LAYOUT DRAWING
LOCAL CONTROL PANEL 44LCP-8004051
44C-80004A

OWNER DOC. NO.

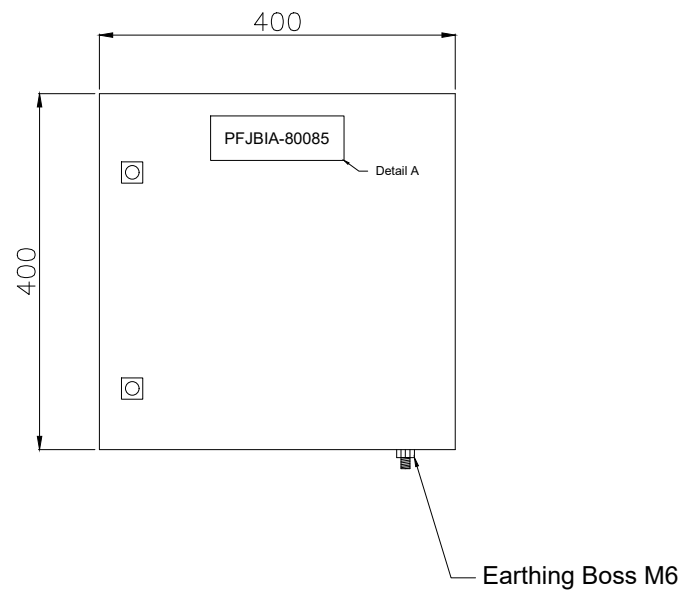
OWNER PROJECT NO. | VENDOR DWG. | MR NO. | VENDOR CODE | DISCIPLINE | UNIT | TYPE | SEQ.

3944 | VD | 0171 | DYP | RE | 400 | DWG | 0003

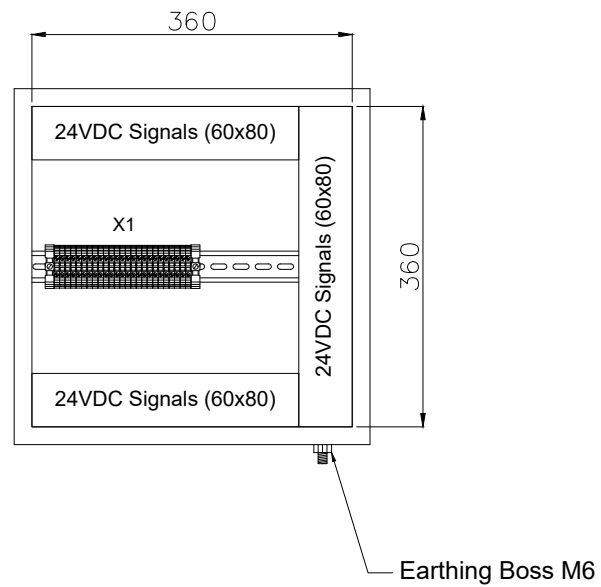
SCALE: NONE | SIZE: A0 | SHEET NO. 20 OF 34 | REV. 05

PFJBIA-80085

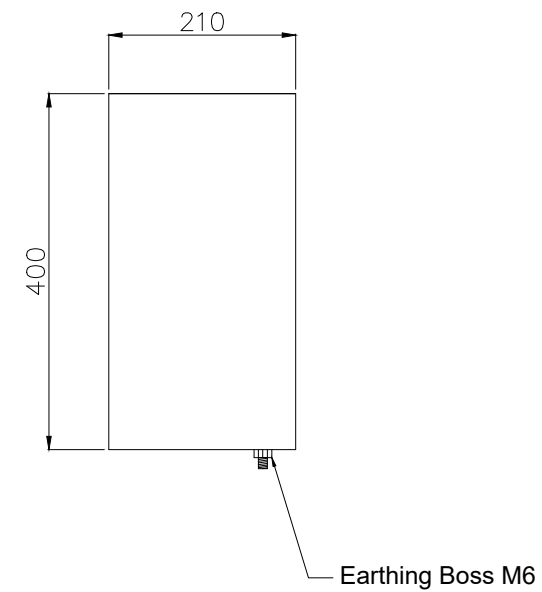
Front Side (Outside) View



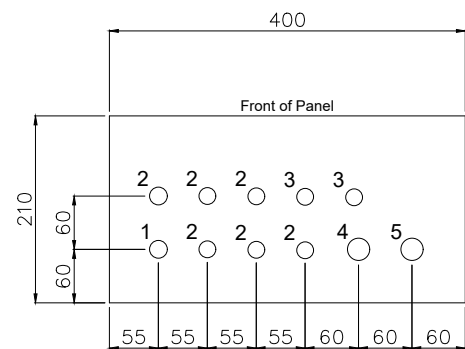
Front Side (Inside) View



Side (Outside) View



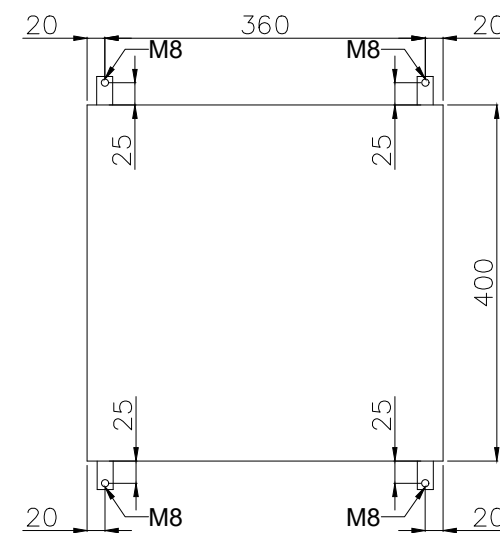
Bottom View



Gland Entry Details

1. M20 - 1x (Breather)
2. M20 - 6x (Cables from Transmitters)
3. M20 - 2x (Spare)
4. M25 - 1x (Multipair Cable from Customer)
5. M25 - 1x (Spare)

Back (Outside) View Mounting Details



GENERAL NOTES

- NOTES
1. PANEL DIMENSIONS: 400x400x210mm
 2. PANEL MATERIAL: SS316L STAINLESS STEEL
 3. PANEL COLOR: RAL7032 (GRAY)
 4. PANEL WALL THICKNESS: 1.6mm
 5. PANEL WEIGHT: ~15Kg
 6. PANEL WILL BE RIGHT HINGED
 7. AREA CLASSIFICATION: Ex II 3G IIC T3 Eex'e'
 8. AMBIENT TEMPERATURE: 5°C/+48°C
 9. INGRESS PROTECTION: IP65
 10. CABLE RACEWAYS SHALL HAVE NO LESS THAN 20% SPARE CAPACITY.
 11. DIN RAIL TYPE: NS35
 12. SPARES WILL BE PLUGGED WITH SUS EX PLUG
 13. GLANDS WILL BE Ex'd IP65 NICKEL PLATED BRASS TYPE GLANDS
 14. ALL DIMENSIONS IN mm.
 15. EXTERNAL EARTH BOLT AND RELATED PARTS ARE ALL COPPER.

REF DRAWINGS	DWG.No.
Wiring Diagram	3944-VD-0171-DYP-RE-400-DIA-0002
I/O List	3944-VD-0171-DYP-RE-400-LST-0080
E&I System Config Diag.	3944-VD-0171-DYP-RE-400-DIA-0078

LEGEND

RESULT CODE: AP AN CO RE RESUBMISSION DATE:

NEXT STATUS: IFI IFA IAF ASB/IFIN

Approval or review hereunder shall not be construed to relieve Vendor/ Subcontractor of his responsibilities and liability under the Contract.

P.O. NO.:

M.R. NO.:

ITEM NO. (EQUIPMENT NO.):

VENDRO JOB NO.:

REV.	DATE	PURPOSE OF ISSUE (P.O.I.)	PREP.	CHKD.	APPR.	AC.
05	23/Jan/25	ISSUED FOR APPROVAL	RT	RB	SC	-
04	31/Oct/25	ISSUED FOR APPROVAL	RT	RB	SC	-
03	26/Aug/25	ISSUED FOR APPROVAL	RT	RB	SC	-
02	16/Jul/25	ISSUED FOR APPROVAL	RT	RB	SC	-
01	25/Apr/25	ISSUED FOR APPROVAL	RT	RB	SC	-
00	24/Mar/25	ISSUED FOR APPROVAL	RT	RB	SC	-

OWNER:



PROJECT:

300 KT POLYETHYLENE PLANT
ARYA SASOL POLYMER COMPANY (ASPC)

MC:



CONTRACTOR:



VENDOR:



DRAWING TITLE:

PANEL LAYOUT DRAWING
LOCAL CONTROL PANEL PFJBIA-80085
44C-80004A

OWNER DOC. NO.

OWNER PROJECT NO. VENDOR DWG. MR NO. VENDOR CODE DISCIPLINE UNIT TYPE SEQ.

3944 VD 0171 DYP RE 400 DWG 0003

SCALE: NONE SIZE: A0 SHEET NO. 21 OF 34 REV. 05

No.	Description	Tag Number	Make	Model	Qty.
1	Running Indication Lamp (Green)	3H4	TBD	TBD	1
2	Fault Indication Lamp (Amber)	3H6	TBD	TBD	1
3	Start Pushbutton (Green)	2S4	TBD	TBD	1
4	Stop Pushbutton (Red)	2S6	TBD	TBD	1
5	Lamp Test Pushbutton (Black)	2S8	TBD	TBD	1
Terminal Strip Definition					
X1	Connection Pushbuttons & Lamps	X1	Phoenix Contact	3044102	21

GENERAL NOTES

NOTES
1. BILL OF MATERIALS (BOM) AS PER THE LATEST WIRING DIAGRAM.

REF DRAWINGS	DWG.No.
Wiring Diagram	3944-VD-0171-DYP-RE-400-DIA-0002
I/O List	3944-VD-0171-DYP-RE-400-LST-0080
E&I System Config Diag.	3944-VD-0171-DYP-RE-400-DIA-0078

LEGEND

RESULT CODE: AP AN CO RE RESUBMISSION DATE:

NEXT STATUS: IFI IFA AFC ASB/IFIN

Approval or review hereunder shall not be construed to relieve Vendor/ Subcontractor of his responsibilities and liability under the Contract.

P.O. NO.:
M.R. NO.:
ITEM NO. (EQUIPMENT NO.):
VENDRO JOB NO.:

REV.	DATE	PURPOSE OF ISSUE (P.O.I.)	PREP.	CHKD.	APPR.	AC.
05	23/Jan/25	ISSUED FOR APPROVAL	RT	RB	SC	-
04	31/Oct/25	ISSUED FOR APPROVAL	RT	RB	SC	-
03	26/Aug/25	ISSUED FOR APPROVAL	RT	RB	SC	-
02	16/Jul/25	ISSUED FOR APPROVAL	RT	RB	SC	-
01	25/Apr/25	ISSUED FOR APPROVAL	RT	RB	SC	-
00	24/Mar/25	ISSUED FOR APPROVAL	RT	RB	SC	-

OWNER:


PROJECT:
300 KT POLYETHYLENE PLANT
ARYA SASOL POLYMER COMPANY (ASPC)

MC:
 

CONTRACTOR:
 

VENDOR:

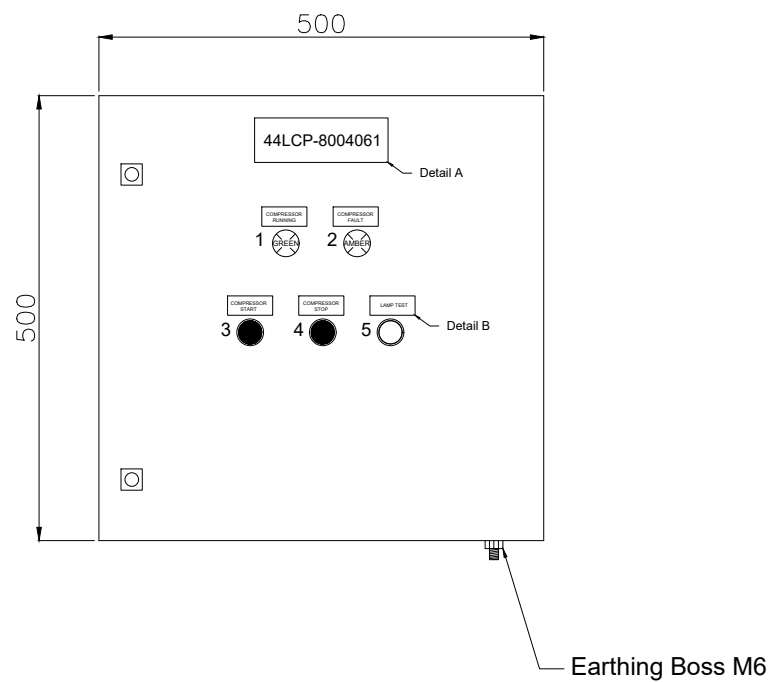

DRAWING TITLE:
PANEL LAYOUT DRAWING
BILL OF MATERIALS FOR
LOCAL CONTROL PANEL 44LCP-8004061

OWNER DOC. NO.

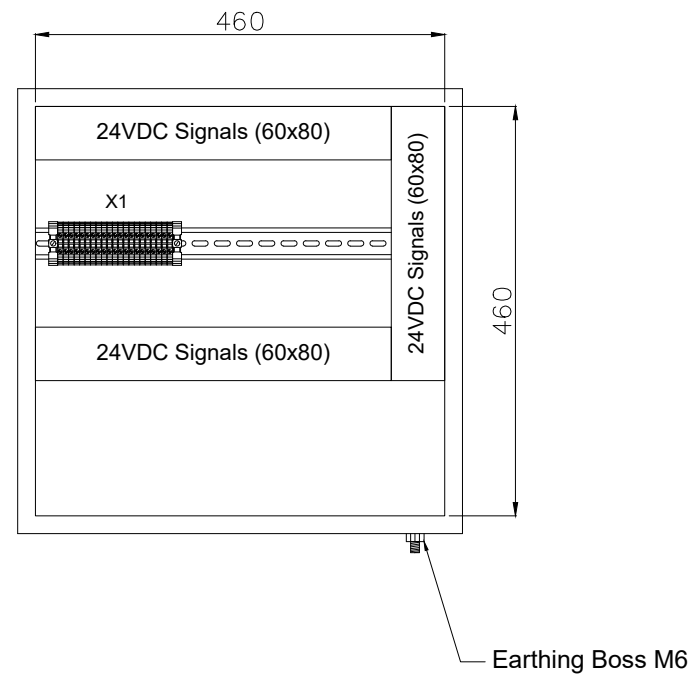
OWNER PROJECT NO.	VENDOR DWG.	MR NO.	VENDOR CODE	DISCIPLINE	UNIT	TYPE	SEQ.
3944	VD	0171	DYP	RE	400	DWG	0003
SCALE:	NONE	SIZE:	A0	SHEET NO.	22 OF 34	REV.	05

44LCP-8004061

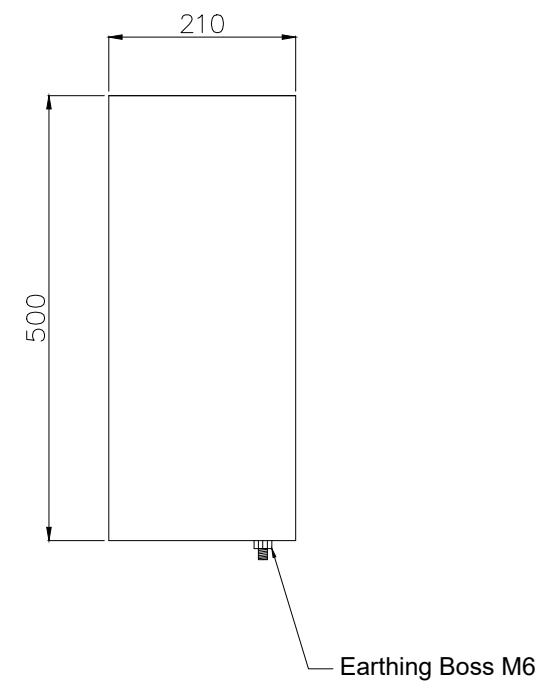
Front Side (Outside) View



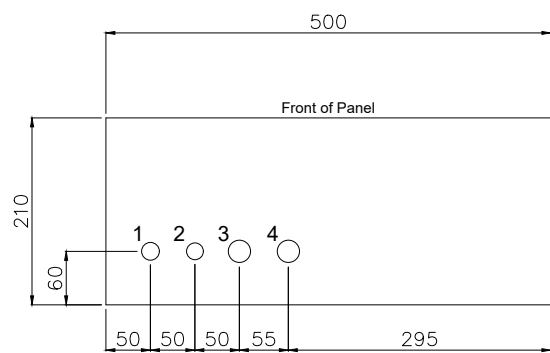
Front Side (Inside) View



Side (Outside) View



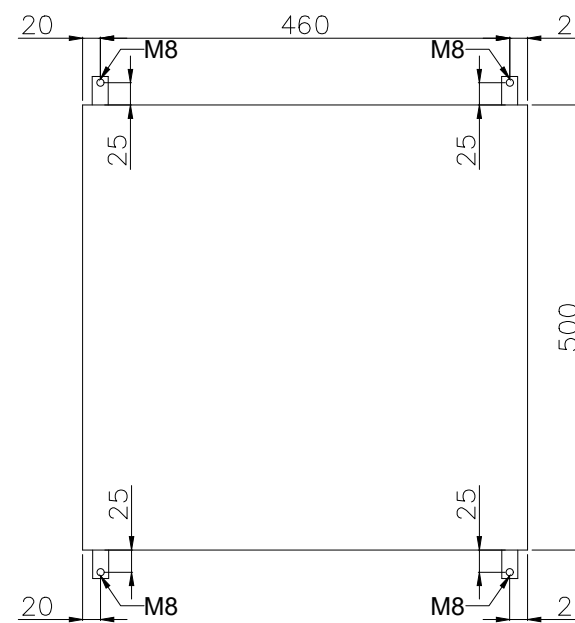
Bottom View



Gland Entry Details

1. M20 - 1x (Breather)
2. M20 - 1x (Spare)
3. M25 - 1x (Cable for Pushbuttons & Lamps)
4. M25 - 1x (Spare)

Back (Outside) View Mounting Details



GENERAL NOTES

- NOTES
1. PANEL DIMENSIONS: 500x500x210mm
 2. PANEL MATERIAL: SS316L STAINLESS STEEL
 3. PANEL COLOR: RAL7032 (GRAY)
 4. PANEL WALL THICKNESS: 1.6mm
 5. PANEL WEIGHT: ~20kg
 6. PANEL WILL BE RIGHT HINGED
 7. AREA CLASSIFICATION: Ex II 3G IIC T3 Eex'e'
 8. AMBIENT TEMPERATURE: 5°C/+48°C
 9. INGRESS PROTECTION: IP65
 10. CABLE RACEWAYS SHALL HAVE NO LESS THAN 20% SPARE CAPACITY.
 11. DIN RAIL TYPE: NS35
 12. SPARES WILL BE PLUGGED WITH SUS EX PLUG
 13. GLANDS WILL BE Ex'd IP65 NICKEL PLATED BRASS TYPE GLANDS
 14. ALL DIMENSIONS IN mm.
 15. EXTERNAL EARTH BOLT AND RELATED PARTS ARE ALL COPPER.
 16. INDICATION LAMP VOLTAGE: 24VDC

REF DRAWINGS	DWG.No.
Wiring Diagram	3944-VD-0171-DYP-RE-400-DIA-0002
I/O List	3944-VD-0171-DYP-RE-400-LST-0080
E&I System Config Diag.	3944-VD-0171-DYP-RE-400-DIA-0078

LEGEND

RESULT CODE: AP AN CO RE RESUBMISSION DATE:

NEXT STATUS: IFI IFA IAF ASB/IFIN

Approval or review hereunder shall not be construed to relieve Vendor/ Subcontractor of his responsibilities and liability under the Contract.

P.O. NO.:

M.R. NO.:

ITEM NO. (EQUIPMENT NO.):

VENDRO JOB NO.:

05/23/Jan/25	ISSUED FOR APPROVAL	RT	RB	SC	-	
04/31/Oct/25	ISSUED FOR APPROVAL	RT	RB	SC	-	
03/26/Aug/25	ISSUED FOR APPROVAL	RT	RB	SC	-	
02/16/Jul/25	ISSUED FOR APPROVAL	RT	RB	SC	-	
01/25/Apr/25	ISSUED FOR APPROVAL	RT	RB	SC	-	
00/24/Mar/25	ISSUED FOR APPROVAL	RT	RB	SC	-	
REV.	DATE	PURPOSE OF ISSUE (P.O.I.)	PREP.	CHKD.	APPR.	AC.

OWNER:



PROJECT:

300 KT POLYETHYLENE PLANT
ARYA SASOL POLYMER COMPANY (ASPC)

MC:



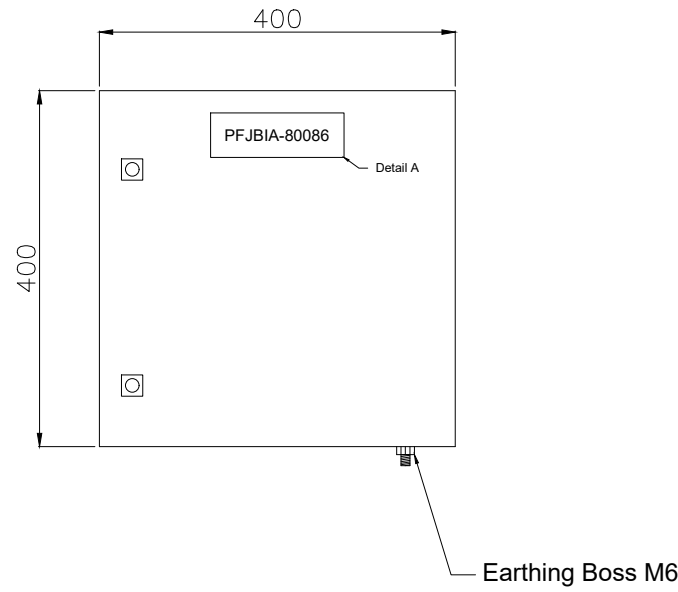
DRAWING TITLE:

PANEL LAYOUT DRAWING
LOCAL CONTROL PANEL 44LCP-8004061
44C-80004B

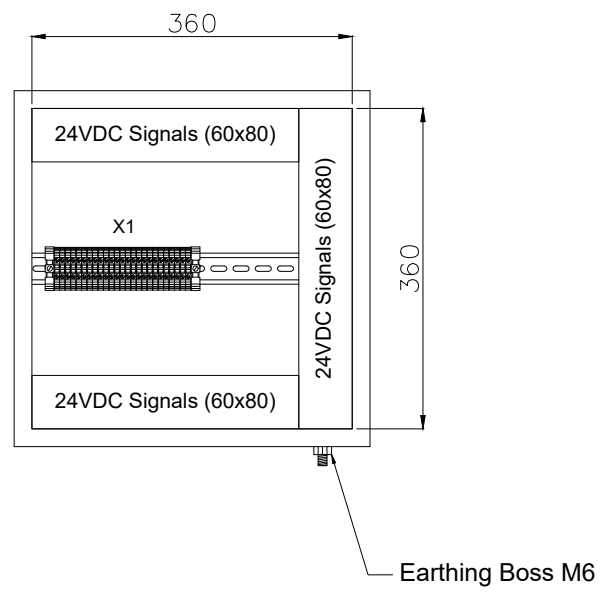
OWNER PROJECT NO.	VENDOR DWG.	MR NO.	VENDOR CODE	DISCIPLINE	UNIT	TYPE	SEQ.	
3944	VD	0171	DYP	RE	400	DWG	0003	
SCALE:	NONE	SIZE:	A0	SHEET NO.	23	OF 34	REV.	05

PFJBIA-80086

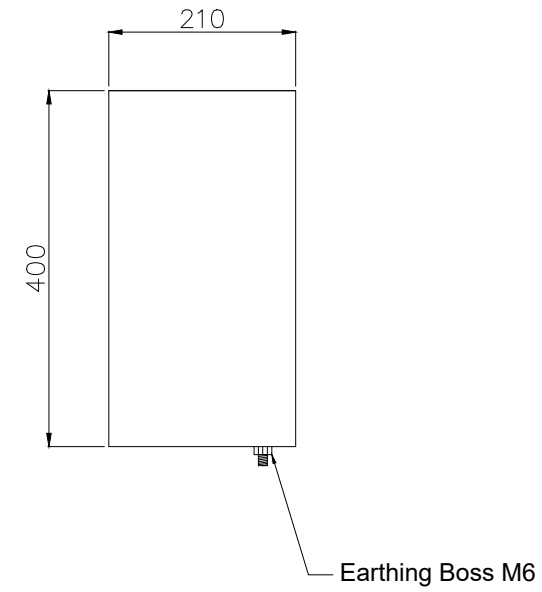
Front Side (Outside) View



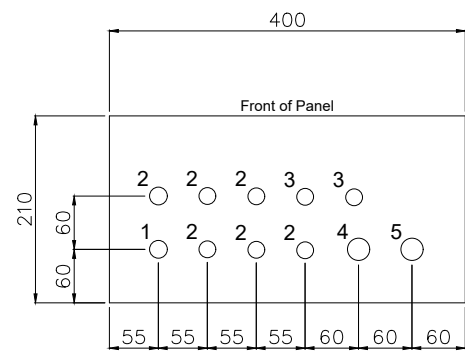
Front Side (Inside) View



Side (Outside) View



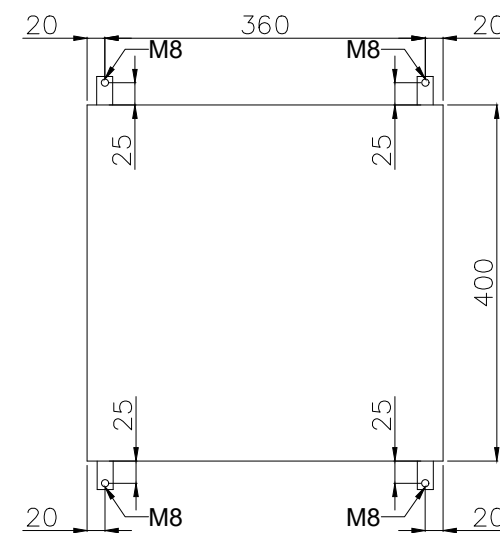
Bottom View



Gland Entry Details

1. M20 - 1x (Breather)
2. M20 - 6x (Cables from Transmitters)
3. M20 - 2x (Spare)
4. M25 - 1x (Multipair Cable from Customer)
5. M25 - 1x (Spare)

Back (Outside) View Mounting Details



GENERAL NOTES

- NOTES
1. PANEL DIMENSIONS: 400x400x210mm
 2. PANEL MATERIAL: SS316L STAINLESS STEEL
 3. PANEL COLOR: RAL7032 (GRAY)
 4. PANEL WALL THICKNESS: 1.6mm
 5. PANEL WEIGHT: ~15Kg
 6. PANEL WILL BE RIGHT HINGED
 7. AREA CLASSIFICATION: Ex II 3G IIC T3 Eex'e'
 8. AMBIENT TEMPERATURE: 5°C/+48°C
 9. INGRESS PROTECTION: IP65
 10. CABLE RACEWAYS SHALL HAVE NO LESS THAN 20% SPARE CAPACITY.
 11. DIN RAIL TYPE: NS35
 12. SPARES WILL BE PLUGGED WITH SUS EX PLUG
 13. GLANDS WILL BE Ex'd IP65 NICKEL PLATED BRASS TYPE GLANDS
 14. ALL DIMENSIONS IN mm.
 15. EXTERNAL EARTH BOLT AND RELATED PARTS ARE ALL COPPER.

REF DRAWINGS	DWG.No.
Wiring Diagram	3944-VD-0171-DYP-RE-400-DIA-0002
I/O List	3944-VD-0171-DYP-RE-400-LST-0080
E&I System Config Diag.	3944-VD-0171-DYP-RE-400-DIA-0078

LEGEND

RESULT CODE: AP AN CO RE RESUBMISSION DATE:

NEXT STATUS: IFI IFA IAF ASB/IFIN

Approval or review hereunder shall not be construed to relieve Vendor/ Subcontractor of his responsibilities and liability under the Contract.

P.O. NO.:

M.R. NO.:

ITEM NO. (EQUIPMENT NO.):

VENDRO JOB NO.:

REV.	DATE	PURPOSE OF ISSUE (P.O.I.)	PREP.	CHKD.	APPR.	AC.
05	23/Jan/25	ISSUED FOR APPROVAL	RT	RB	SC	-
04	31/Oct/25	ISSUED FOR APPROVAL	RT	RB	SC	-
03	26/Aug/25	ISSUED FOR APPROVAL	RT	RB	SC	-
02	16/Jul/25	ISSUED FOR APPROVAL	RT	RB	SC	-
01	25/Apr/25	ISSUED FOR APPROVAL	RT	RB	SC	-
00	24/Mar/25	ISSUED FOR APPROVAL	RT	RB	SC	-

OWNER:



PROJECT:

300 KT POLYETHYLENE PLANT
ARYA SASOL POLYMER COMPANY (ASPC)

MC:



CONTRACTOR:



VENDOR:

DYPNF

DRAWING TITLE:
PANEL LAYOUT DRAWING
LOCAL CONTROL PANEL PFJBIA-80086
44C-80004B

OWNER DOC. NO.

OWNER PROJECT NO.	VENDOR DWG.	MR NO.	VENDOR CODE	DISCIPLINE	UNIT	TYPE	SEQ.
3944	VD	0171	DYP	RE	400	DWG	0003

SCALE: NONE SIZE: A0 SHEET NO. 24 OF 34 REV. 05

No.	Description	Tag Number	Make	Model	Qty.
1	Running Indication Lamp (Green)	3H4	TBD	TBD	1
2	Fault Indication Lamp (Amber)	3H6	TBD	TBD	1
3	Start Pushbutton (Green)	2S4	TBD	TBD	1
4	Stop Pushbutton (Red)	2S6	TBD	TBD	1
5	Lamp Test Pushbutton (Black)	2S8	TBD	TBD	1
Terminal Strip Definition					
X1	Connection Pushbuttons & Lamps	X1	Phoenix Contact	3044102	21

GENERAL NOTES

NOTES
1. BILL OF MATERIALS (BOM) AS PER THE LATEST WIRING DIAGRAM.

REF DRAWINGS	DWG.No.
Wiring Diagram	3944-VD-0171-DYP-RE-400-DIA-0002
I/O List	3944-VD-0171-DYP-RE-400-LST-0080
E&I System Config Diag.	3944-VD-0171-DYP-RE-400-DIA-0078

LEGEND

RESULT CODE: AP AN CO RE

NEXT STATUS: IFI IFA AFC ASB/IFIN


Approval or review hereunder shall not be construed to relieve Vendor/ Subcontractor of his responsibilities and liability under the Contract.

P.O. NO.:
M.R. NO.:
ITEM NO. (EQUIPMENT NO.):
VENDRO JOB NO.:

REV.	DATE	PURPOSE OF ISSUE (P.O.I.)	PREP.	CHKD.	APPR.	AC.
05	23/Jan/25	ISSUED FOR APPROVAL	RT	RB	SC	-
04	31/Oct/25	ISSUED FOR APPROVAL	RT	RB	SC	-
03	26/Aug/25	ISSUED FOR APPROVAL	RT	RB	SC	-
02	16/Jul/25	ISSUED FOR APPROVAL	RT	RB	SC	-
01	25/Apr/25	ISSUED FOR APPROVAL	RT	RB	SC	-
00	24/Mar/25	ISSUED FOR APPROVAL	RT	RB	SC	-

OWNER:


PROJECT:
300 KT POLYETHYLENE PLANT
ARYA SASOL POLYMER COMPANY (ASPC)

MC:
 

CONTRACTOR:
 

VENDOR:

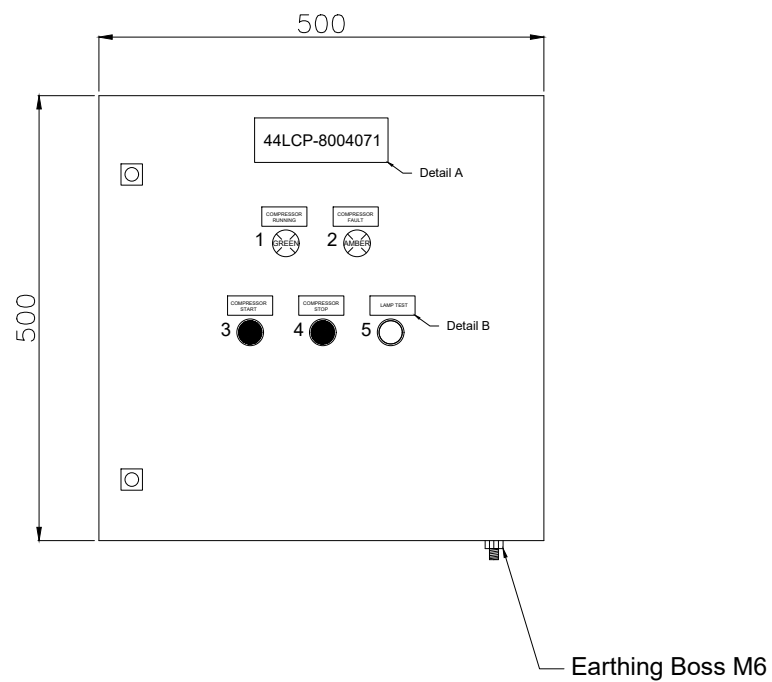

DRAWING TITLE:
PANEL LAYOUT DRAWING
BILL OF MATERIALS FOR
LOCAL CONTROL PANEL 44LCP-8004071

OWNER	PROJECT NO.	VENDOR DWG.	MR NO.	VENDOR CODE	DISCIPLINE	UNIT	TYPE	SEQ.
3944	VD	0171	DYP	RE	400	DWG	0003	

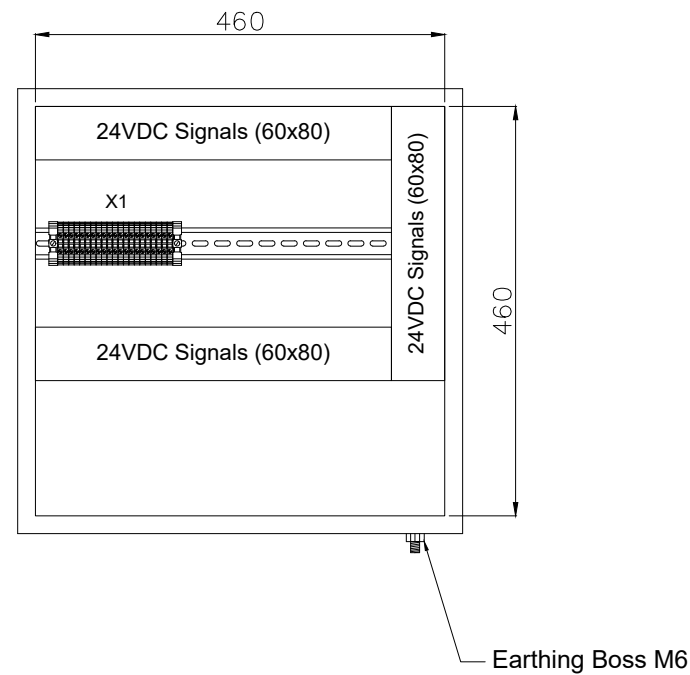
SCALE: NONE SIZE: A0 SHEET NO. 25 OF 34 REV. 05

44LCP-8004071

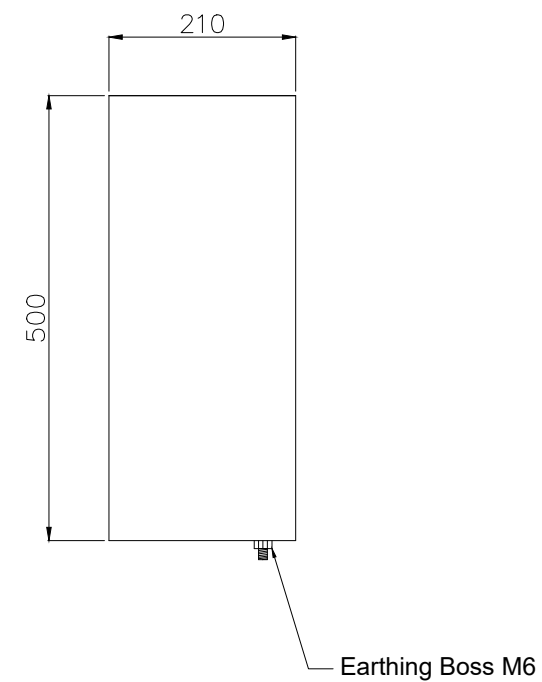
Front Side (Outside) View



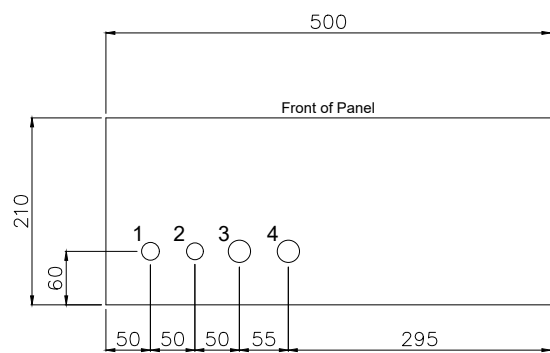
Front Side (Inside) View



Side (Outside) View



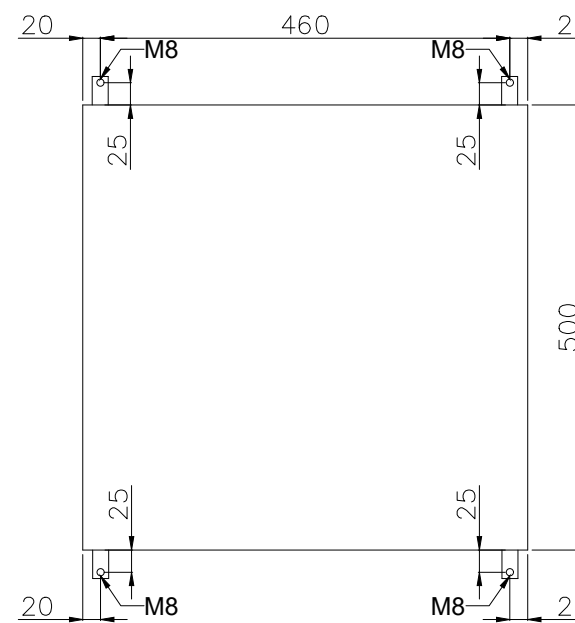
Bottom View



Gland Entry Details

1. M20 - 1x (Breather)
2. M20 - 1x (Spare)
3. M25 - 1x (Cable for Pushbuttons & Lamps)
4. M25 - 1x (Spare)

Back (Outside) View Mounting Details



GENERAL NOTES	
NOTES	
1. PANEL DIMENSIONS: 500x500x210mm	
2. PANEL MATERIAL: SS316L STAINLESS STEEL	
3. PANEL COLOR: RAL7032 (GRAY)	
4. PANEL WALL THICKNESS: 1.6mm	
5. PANEL WEIGHT: ~20Kg	
6. PANEL WILL BE RIGHT HINGED	
7. AREA CLASSIFICATION: Ex II 3G IIC T3 Eex'e'	
8. AMBIENT TEMPERATURE: 5°C/+48°C	
9. INGRESS PROTECTION: IP65	
10. CABLE RACEWAYS SHALL HAVE NO LESS THAN 20% SPARE CAPACITY.	
11. DIN RAIL TYPE: NS35	
12. SPARES WILL BE PLUGGED WITH SUS EX PLUG	
13. GLANDS WILL BE Ex'd IP65 NICKEL PLATED BRASS TYPE GLANDS	
14. ALL DIMENSIONS IN mm.	
15. EXTERNAL EARTH BOLT AND RELATED PARTS ARE ALL COPPER.	
16. INDICATION LAMP VOLTAGE: 24VDC	

REF DRAWINGS	DWG.No.
Wiring Diagram	3944-VD-0171-DYP-RE-400-DIA-0002
I/O List	3944-VD-0171-DYP-RE-400-LST-0080
E&I System Config Diag.	3944-VD-0171-DYP-RE-400-DIA-0078

LEGEND

RESULT CODE: AP AN CO RE RESUBMISSION DATE:

NEXT STATUS: IFI IFA IFC ASB/IFIN

Approval or review hereunder shall not be construed to relieve Vendor/ Subcontractor of his responsibilities and liability under the Contract.

P.O. NO.:

M.R. NO.:

ITEM NO. (EQUIPMENT NO.):

VENDRO JOB NO.:

05/23/Jan/25	ISSUED FOR APPROVAL	RT	RB	SC	-	
04/31/Oct/25	ISSUED FOR APPROVAL	RT	RB	SC	-	
03/26/Aug/25	ISSUED FOR APPROVAL	RT	RB	SC	-	
02/16/Jul/25	ISSUED FOR APPROVAL	RT	RB	SC	-	
01/25/Apr/25	ISSUED FOR APPROVAL	RT	RB	SC	-	
00/24/Mar/25	ISSUED FOR APPROVAL	RT	RB	SC	-	
REV.	DATE	PURPOSE OF ISSUE (P.O.I.)	PREP.	CHKD.	APPR.	AC.

OWNER:



PROJECT:

300 KT POLYETHYLENE PLANT
ARYA SASOL POLYMER COMPANY (ASPC)

MC:



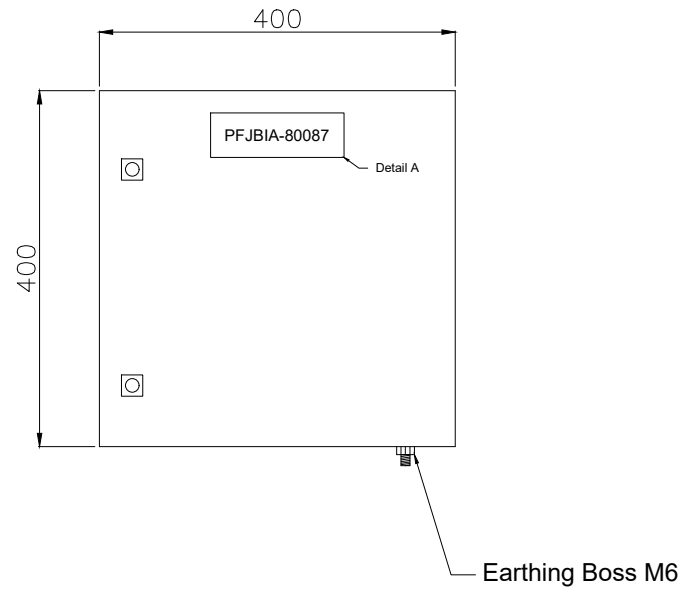
DRAWING TITLE:

PANEL LAYOUT DRAWING
LOCAL CONTROL PANEL 44LCP-8004071
44C-80005A

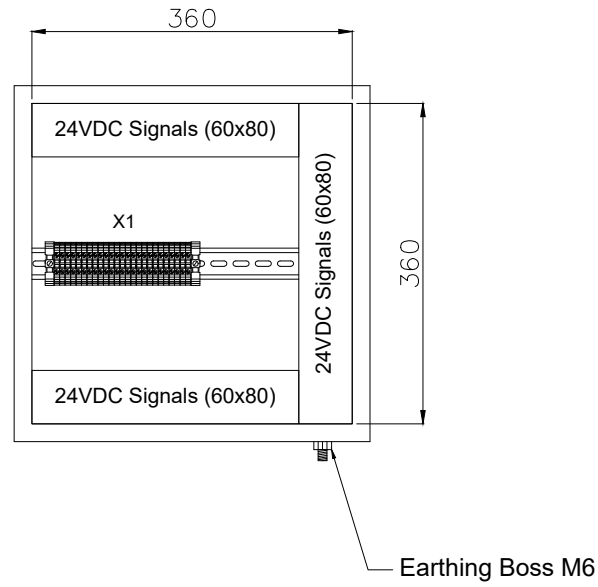
OWNER PROJECT NO.	VENDOR DWG.	MR NO.	VENDOR CODE	DISCIPLINE	UNIT	TYPE	SEQ.	
3944	VD	0171	DYP	RE	400	DWG	0003	
SCALE:	NONE	SIZE:	A0	SHEET NO.	26	OF 34	REV.	05

PFJBIA-80087

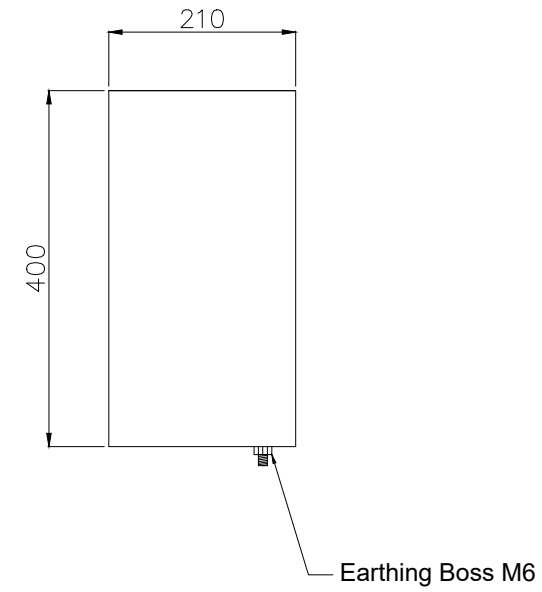
Front Side (Outside) View



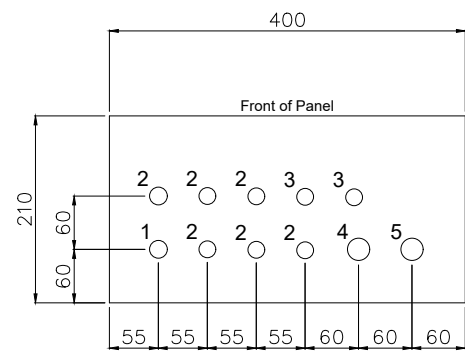
Front Side (Inside) View



Side (Outside) View



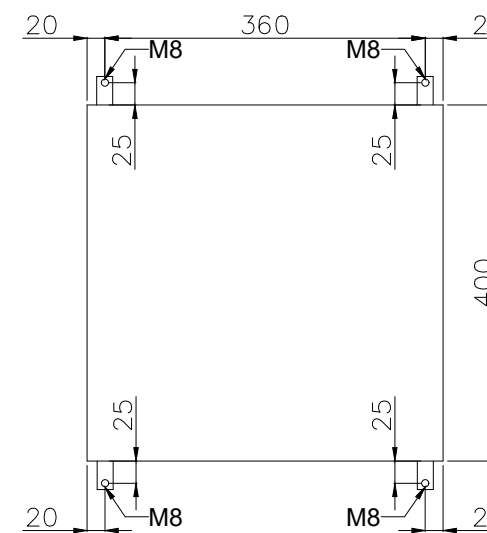
Bottom View



Gland Entry Details

1. M20 - 1x (Breather)
2. M20 - 6x (Cables from Transmitters)
3. M20 - 2x (Spare)
4. M25 - 1x (Multipair Cable from Customer)
5. M25 - 1x (Spare)

Back (Outside) View Mounting Details



GENERAL NOTES

- NOTES
1. PANEL DIMENSIONS: 400x400x210mm
 2. PANEL MATERIAL: SS316L STAINLESS STEEL
 3. PANEL COLOR: RAL7032 (GRAY)
 4. PANEL WALL THICKNESS: 1.6mm
 5. PANEL WEIGHT: ~15Kg
 6. PANEL WILL BE RIGHT HINGED
 7. AREA CLASSIFICATION: Ex II 3G IIC T3 Eex'e'
 8. AMBIENT TEMPERATURE: 5°C/+48°C
 9. INGRESS PROTECTION: IP65
 10. CABLE RACEWAYS SHALL HAVE NO LESS THAN 20% SPARE CAPACITY.
 11. DIN RAIL TYPE: NS35
 12. SPARES WILL BE PLUGGED WITH SUS EX PLUG
 13. GLANDS WILL BE Ex'd IP65 NICKEL PLATED BRASS TYPE GLANDS
 14. ALL DIMENSIONS IN mm.
 15. EXTERNAL EARTH BOLT AND RELATED PARTS ARE ALL COPPER.

REF DRAWINGS	DWG.No.
Wiring Diagram	3944-VD-0171-DYP-RE-400-DIA-0002
I/O List	3944-VD-0171-DYP-RE-400-LST-0080
E&I System Config Diag.	3944-VD-0171-DYP-RE-400-DIA-0078

LEGEND

RESULT CODE: AP AN CO RE RESUBMISSION DATE:

NEXT STATUS: IFI IFA JAF ASB/IFIN

Approval or review hereunder shall not be construed to relieve Vendor/ Subcontractor of his responsibilities and liability under the Contract.

P.O. NO.:

M.R. NO.:

ITEM NO. (EQUIPMENT NO.):

VENDRO JOB NO.:

REV.	DATE	PURPOSE OF ISSUE (P.O.I.)	PREP.	CHKD.	APPR.	AC.
05	23/Jan/25	ISSUED FOR APPROVAL	RT	RB	SC	-
04	31/Oct/25	ISSUED FOR APPROVAL	RT	RB	SC	-
03	26/Aug/25	ISSUED FOR APPROVAL	RT	RB	SC	-
02	16/Jul/25	ISSUED FOR APPROVAL	RT	RB	SC	-
01	25/Apr/25	ISSUED FOR APPROVAL	RT	RB	SC	-
00	24/Mar/25	ISSUED FOR APPROVAL	RT	RB	SC	-

OWNER:



PROJECT:

300 KT POLYETHYLENE PLANT
ARYA SASOL POLYMER COMPANY (ASPC)

MC:



CONTRACTOR:



DRAWING TITLE:

PANEL LAYOUT DRAWING
LOCAL CONTROL PANEL PFJBIA-80087
44C-80005A

OWNER DOC. NO.

OWNER PROJECT NO. VENDOR DWG. MR NO. VENDOR CODE DISCIPLINE UNIT TYPE SEQ.

3944 VD 0171 DYP RE 400 DWG 0003

SCALE: NONE SIZE: A0 SHEET NO. 27 OF 34 REV. 05

No.	Description	Tag Number	Make	Model	Qty.
1	Running Indication Lamp (Green)	3H4	TBD	TBD	1
2	Fault Indication Lamp (Amber)	3H6	TBD	TBD	1
3	Start Pushbutton (Green)	2S4	TBD	TBD	1
4	Stop Pushbutton (Red)	2S6	TBD	TBD	1
5	Lamp Test Pushbutton (Black)	2S8	TBD	TBD	1
Terminal Strip Definition					
X1	Connection Pushbuttons & Lamps	X1	Phoenix Contact	3044102	21

GENERAL NOTES

NOTES
1. BILL OF MATERIALS (BOM) AS PER THE LATEST WIRING DIAGRAM.

REF DRAWINGS	DWG.No.
Wiring Diagram	3944-VD-0171-DYP-RE-400-DIA-0002
I/O List	3944-VD-0171-DYP-RE-400-LST-0080
E&I System Config Diag.	3944-VD-0171-DYP-RE-400-DIA-0078

LEGEND

RESULT CODE: AP AN CO RE

NEXT STATUS: IFI IFA AFC ASB/IFIN

Approval or review hereunder shall not be construed to relieve Vendor/ Subcontractor of his responsibilities and liability under the Contract.

P.O. NO.:
M.R. NO.:
ITEM NO. (EQUIPMENT NO.):
VENDRO JOB NO.:

REV.	DATE	PURPOSE OF ISSUE (P.O.I.)	PREP.	CHKD.	APPR.	AC.
05	23/Jan/25	ISSUED FOR APPROVAL	RT	RB	SC	-
04	31/Oct/25	ISSUED FOR APPROVAL	RT	RB	SC	-
03	26/Aug/25	ISSUED FOR APPROVAL	RT	RB	SC	-
02	16/Jul/25	ISSUED FOR APPROVAL	RT	RB	SC	-
01	25/Apr/25	ISSUED FOR APPROVAL	RT	RB	SC	-
00	24/Mar/25	ISSUED FOR APPROVAL	RT	RB	SC	-

OWNER:


PROJECT:
300 KT POLYETHYLENE PLANT
ARYA SASOL POLYMER COMPANY (ASPC)

MC:
 

CONTRACTOR:
 

VENDOR:

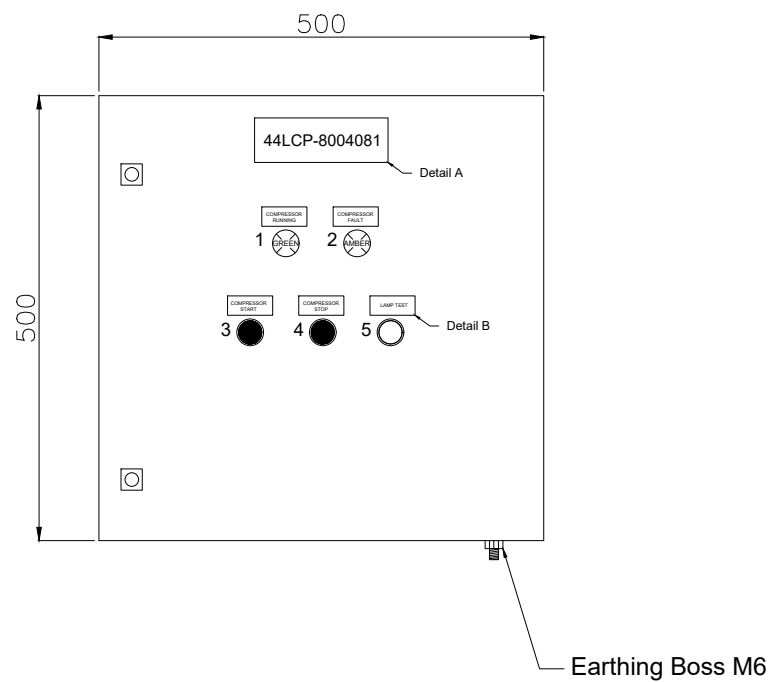

DRAWING TITLE:
PANEL LAYOUT DRAWING
BILL OF MATERIALS FOR
LOCAL CONTROL PANEL 44LCP-8004081

OWNER PROJECT NO.	VENDOR DWG.	MR NO.	VENDOR CODE	DISCIPLINE	UNIT	TYPE	SEQ.
3944	VD	0171	DYP	RE	400	DWG	0003

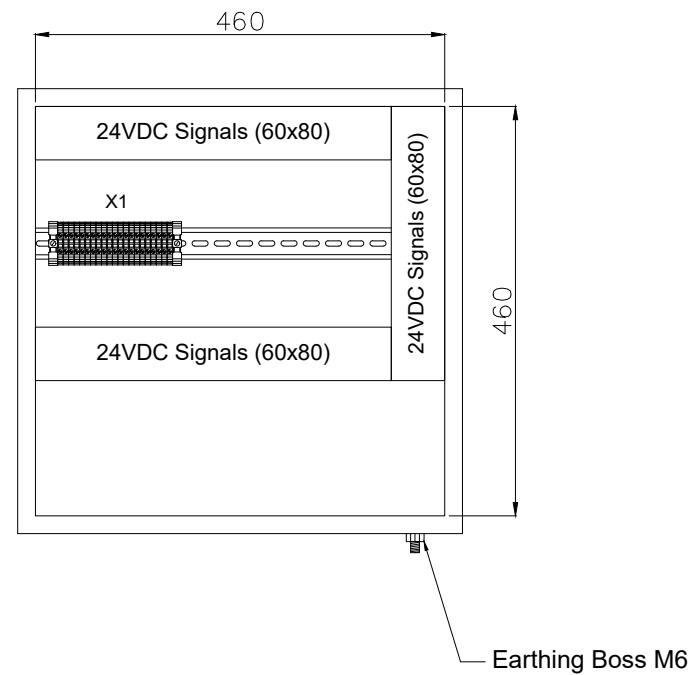
SCALE: NONE SIZE: A0 SHEET NO. 28 OF 34 REV. 05

44LCP-8004081

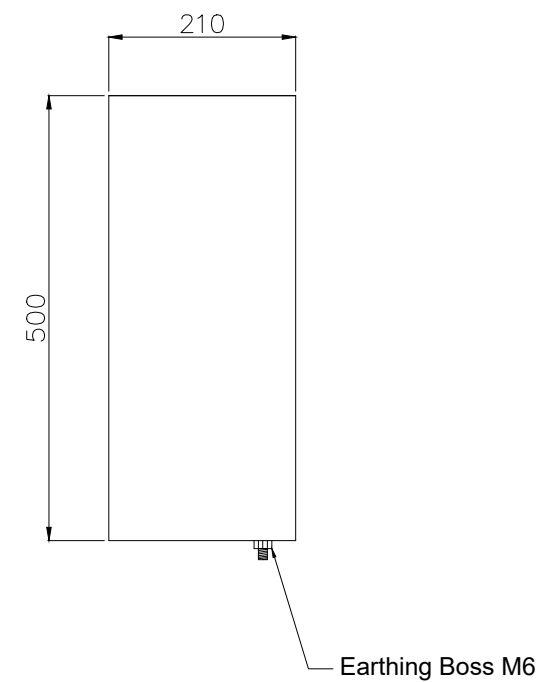
Front Side (Outside) View



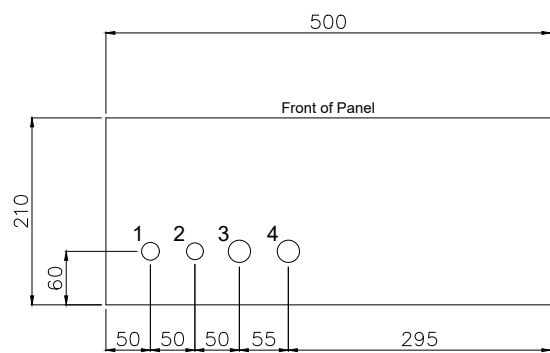
Front Side (Inside) View



Side (Outside) View



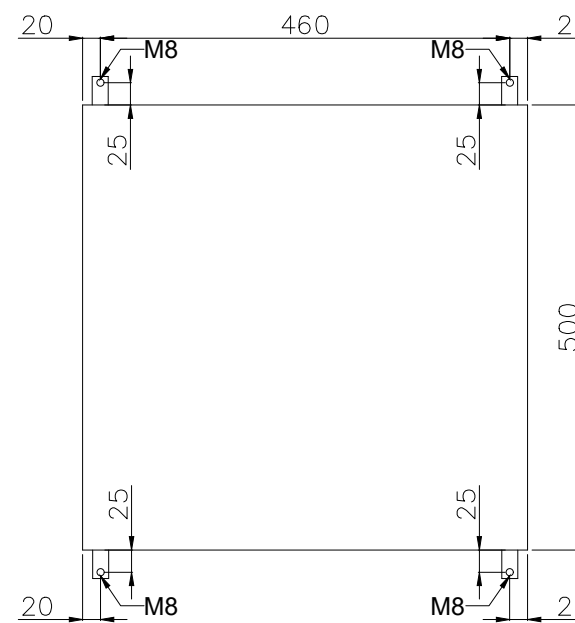
Bottom View



Gland Entry Details

1. M20 - 1x (Breather)
2. M20 - 1x (Spare)
3. M25 - 1x (Cable for Pushbuttons & Lamps)
4. M25 - 1x (Spare)

Back (Outside) View Mounting Details



GENERAL NOTES	
NOTES	
1. PANEL DIMENSIONS: 500x500x210mm	
2. PANEL MATERIAL: SS316L STAINLESS STEEL	
3. PANEL COLOR: RAL7032 (GRAY)	
4. PANEL WALL THICKNESS: 1.6mm	
5. PANEL WEIGHT: ~20kg	
6. PANEL WILL BE RIGHT HINGED	
7. AREA CLASSIFICATION: Ex II 3G IIC T3 Eex'e'	
8. AMBIENT TEMPERATURE: 5°C/+48°C	
9. INGRESS PROTECTION: IP65	
10. CABLE RACEWAYS SHALL HAVE NO LESS THAN 20% SPARE CAPACITY.	
11. DIN RAIL TYPE: NS35	
12. SPARES WILL BE PLUGGED WITH SUS EX PLUG	
13. GLANDS WILL BE Ex'd IP65 NICKEL PLATED BRASS TYPE GLANDS	
14. ALL DIMENSIONS IN mm.	
15. EXTERNAL EARTH BOLT AND RELATED PARTS ARE ALL COPPER.	
16. INDICATION LAMP VOLTAGE: 24VDC	

REF DRAWINGS	DWG.No.
Wiring Diagram	3944-VD-0171-DYP-RE-400-DIA-0002
I/O List	3944-VD-0171-DYP-RE-400-LST-0080
E&I System Config Diag.	3944-VD-0171-DYP-RE-400-DIA-0078

LEGEND

RESULT CODE: AP AN CO RE RESUBMISSION DATE:

NEXT STATUS: IFI IFA IAF ASB/IFIN

Approval or review hereunder shall not be construed to relieve Vendor/ Subcontractor of his responsibilities and liability under the Contract.

P.O. NO.:

M.R. NO.:

ITEM NO. (EQUIPMENT NO.):

VENDRO JOB NO.:

05/23/Jan/25	ISSUED FOR APPROVAL	RT	RB	SC	-	
04/31/Oct/25	ISSUED FOR APPROVAL	RT	RB	SC	-	
03/26/Aug/25	ISSUED FOR APPROVAL	RT	RB	SC	-	
02/16/Jul/25	ISSUED FOR APPROVAL	RT	RB	SC	-	
01/25/Apr/25	ISSUED FOR APPROVAL	RT	RB	SC	-	
00/24/Mar/25	ISSUED FOR APPROVAL	RT	RB	SC	-	
REV.	DATE	PURPOSE OF ISSUE (P.O.I.)	PREP.	CHKD.	APPR.	AC.

OWNER:



PROJECT:

300 KT POLYETHYLENE PLANT
ARYA SASOL POLYMER COMPANY (ASPC)

MC:



CONTRACTOR:



DRAWING TITLE:

PANEL LAYOUT DRAWING
LOCAL CONTROL PANEL 44LCP-8004081
44C-80005B

OWNER DOC. NO.

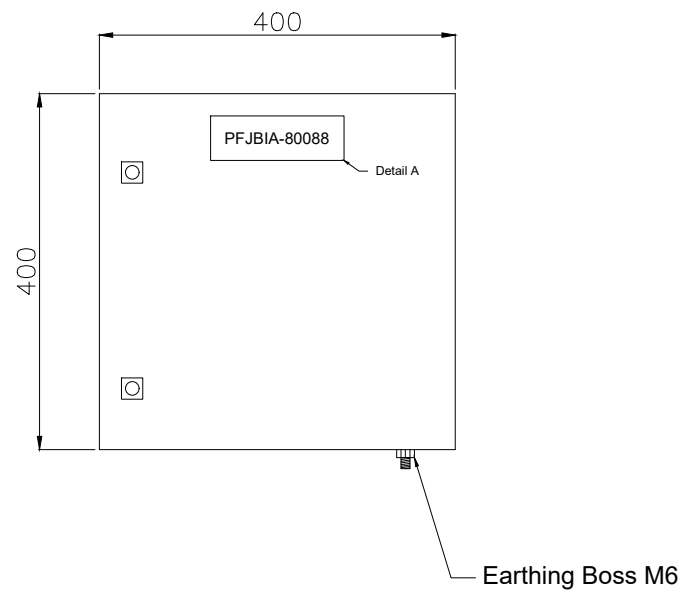
OWNER PROJECT NO. | VENDOR DWG. | MR NO. | VENDOR CODE | DISCIPLINE | UNIT | TYPE | SEQ.

3944 | VD | 0171 | DYP | RE | 400 | DWG | 0003

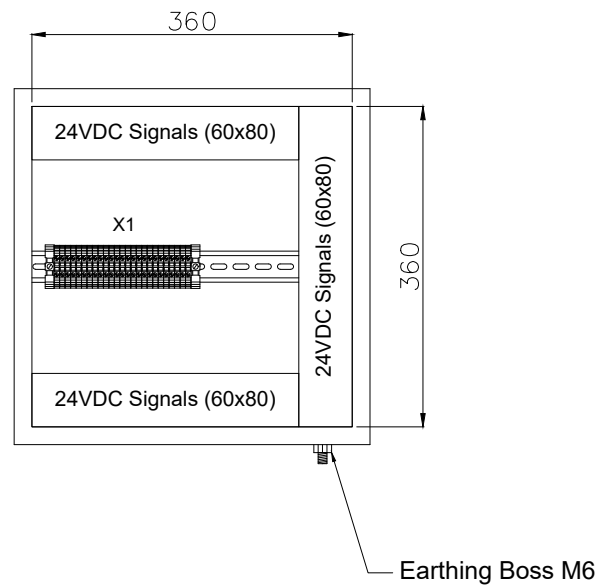
SCALE: NONE | SIZE: A0 | SHEET NO. 29 OF 34 | REV. 05

PFJBIA-80088

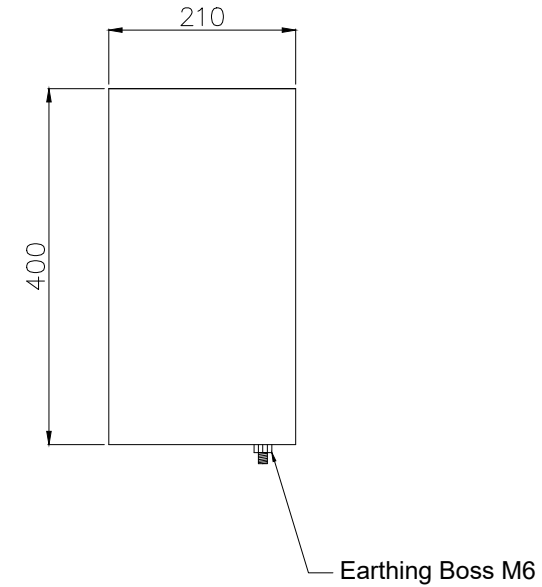
Front Side (Outside) View



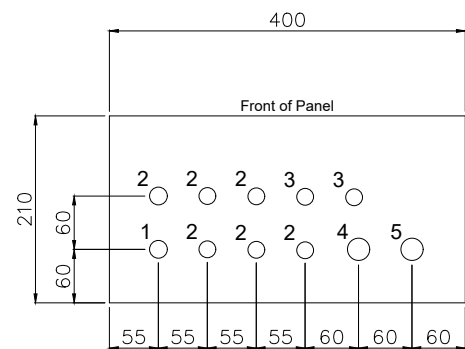
Front Side (Inside) View



Side (Outside) View



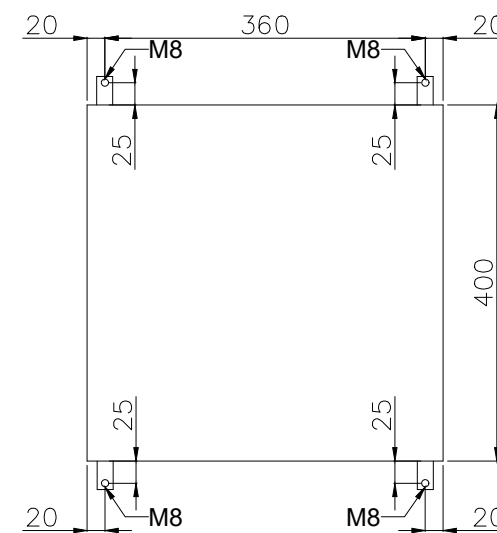
Bottom View



Gland Entry Details

1. M20 - 1x (Breather)
2. M20 - 6x (Cables from Transmitters)
3. M20 - 2x (Spare)
4. M25 - 1x (Multipair Cable from Customer)
5. M25 - 1x (Spare)

Back (Outside) View Mounting Details



GENERAL NOTES

- NOTES
1. PANEL DIMENSIONS: 400x400x210mm
 2. PANEL MATERIAL: SS316L STAINLESS STEEL
 3. PANEL COLOR: RAL7032 (GRAY)
 4. PANEL WALL THICKNESS: 1.6mm
 5. PANEL WEIGHT: ~15Kg
 6. PANEL WILL BE RIGHT HINGED
 7. AREA CLASSIFICATION: Ex II 3G IIC T3 Eex'e'
 8. AMBIENT TEMPERATURE: 5°C/+48°C
 9. INGRESS PROTECTION: IP65
 10. CABLE RACEWAYS SHALL HAVE NO LESS THAN 20% SPARE CAPACITY.
 11. DIN RAIL TYPE: NS35
 12. SPARES WILL BE PLUGGED WITH SUS EX PLUG
 13. GLANDS WILL BE Ex'd IP65 NICKEL PLATED BRASS TYPE GLANDS
 14. ALL DIMENSIONS IN mm.
 15. EXTERNAL EARTH BOLT AND RELATED PARTS ARE ALL COPPER.

REF DRAWINGS	DWG.No.
Wiring Diagram	3944-VD-0171-DYP-RE-400-DIA-0002
I/O List	3944-VD-0171-DYP-RE-400-LST-0080
E&I System Config Diag.	3944-VD-0171-DYP-RE-400-DIA-0078

LEGEND

RESULT CODE: AP AN CO RE RESUBMISSION DATE:

NEXT STATUS: IFI IFA JAF ASB/IFIN

Approval or review hereunder shall not be construed to relieve Vendor/ Subcontractor of his responsibilities and liability under the Contract.

P.O. NO.:

M.R. NO.:

ITEM NO. (EQUIPMENT NO.):

VENDRO JOB NO.:

REV.	DATE	PURPOSE OF ISSUE (P.O.I.)	PREP.	CHKD.	APPR.	AC.
05	23/Jan/25	ISSUED FOR APPROVAL	RT	RB	SC	-
04	31/Oct/25	ISSUED FOR APPROVAL	RT	RB	SC	-
03	26/Aug/25	ISSUED FOR APPROVAL	RT	RB	SC	-
02	16/Jul/25	ISSUED FOR APPROVAL	RT	RB	SC	-
01	25/Apr/25	ISSUED FOR APPROVAL	RT	RB	SC	-
00	24/Mar/25	ISSUED FOR APPROVAL	RT	RB	SC	-

OWNER:



PROJECT:

300 KT POLYETHYLENE PLANT
ARYA SASOL POLYMER COMPANY (ASPC)

MC:



CONTRACTOR:



VENDOR:



DRAWING TITLE:

PANEL LAYOUT DRAWING
LOCAL CONTROL PANEL PFJBIA-80088
44C-80005A

OWNER DOC. NO.

OWNER PROJECT NO. VENDOR DWG. MR NO. VENDOR CODE DISCIPLINE UNIT TYPE SEQ.

3944 VD 0171 DYP RE 400 DWG 0003

SCALE: NONE SIZE: A0 SHEET NO. 30 OF 34 REV. 05

No.	Description	Tag Number	Make	Model	Qty.
1	Running Indication Lamp (Green)	3H4	TBD	TBD	1
2	Fault Indication Lamp (Amber)	3H6	TBD	TBD	1
3	Start Pushbutton (Green)	2S4	TBD	TBD	1
4	Stop Pushbutton (Red)	2S6	TBD	TBD	1
5	Lamp Test Pushbutton (Black)	2S8	TBD	TBD	1
Terminal Strip Definition					
X1	Connection Pushbuttons & Lamps	X1	Phoenix Contact	3044102	21

GENERAL NOTES

NOTES
1. BILL OF MATERIALS (BOM) AS PER THE LATEST WIRING DIAGRAM.

REF DRAWINGS	DWG.No.
Wiring Diagram	3944-VD-0171-DYP-RE-400-DIA-0002
I/O List	3944-VD-0171-DYP-RE-400-LST-0080
E&I System Config Diag.	3944-VD-0171-DYP-RE-400-DIA-0078

LEGEND

RESULT CODE: AP AN CO RE

NEXT STATUS: IFI IFA AFC ASB/IFIN

Approval or review hereunder shall not be construed to relieve Vendor/ Subcontractor of his responsibilities and liability under the Contract.

P.O. NO.:
M.R. NO.:
ITEM NO. (EQUIPMENT NO.):
VENDRO JOB NO.:

REV.	DATE	PURPOSE OF ISSUE (P.O.I.)	PREP.	CHKD.	APPR.	AC.
05	23/Jan/25	ISSUED FOR APPROVAL	RT	RB	SC	-
04	31/Oct/25	ISSUED FOR APPROVAL	RT	RB	SC	-
03	26/Aug/25	ISSUED FOR APPROVAL	RT	RB	SC	-
02	16/Jul/25	ISSUED FOR APPROVAL	RT	RB	SC	-
01	25/Apr/25	ISSUED FOR APPROVAL	RT	RB	SC	-
00	24/Mar/25	ISSUED FOR APPROVAL	RT	RB	SC	-

OWNER:


PROJECT:
300 KT POLYETHYLENE PLANT
ARYA SASOL POLYMER COMPANY (ASPC)

MC:
 

CONTRACTOR:
 

VENDOR:

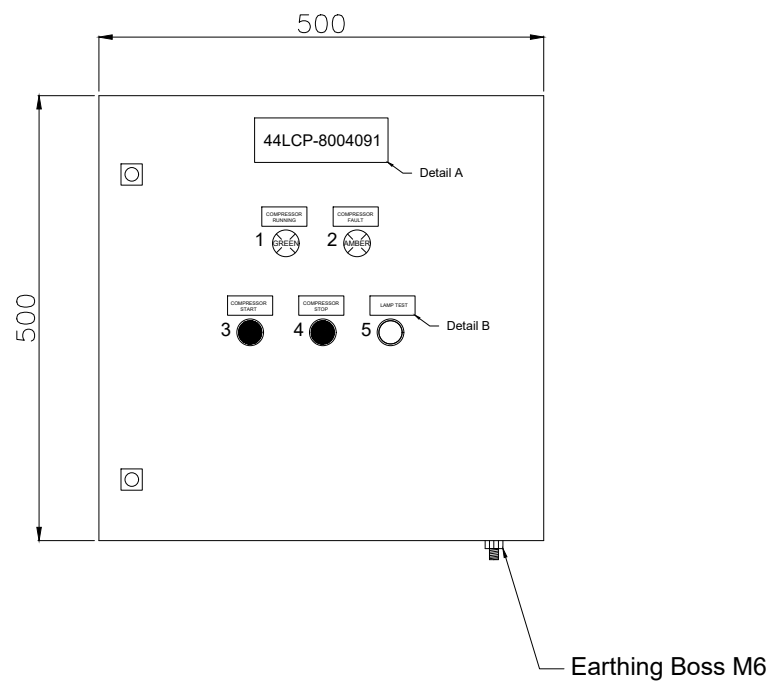

DRAWING TITLE:
PANEL LAYOUT DRAWING
BILL OF MATERIALS FOR
LOCAL CONTROL PANEL 44LCP-8004091

OWNER DOC. NO.

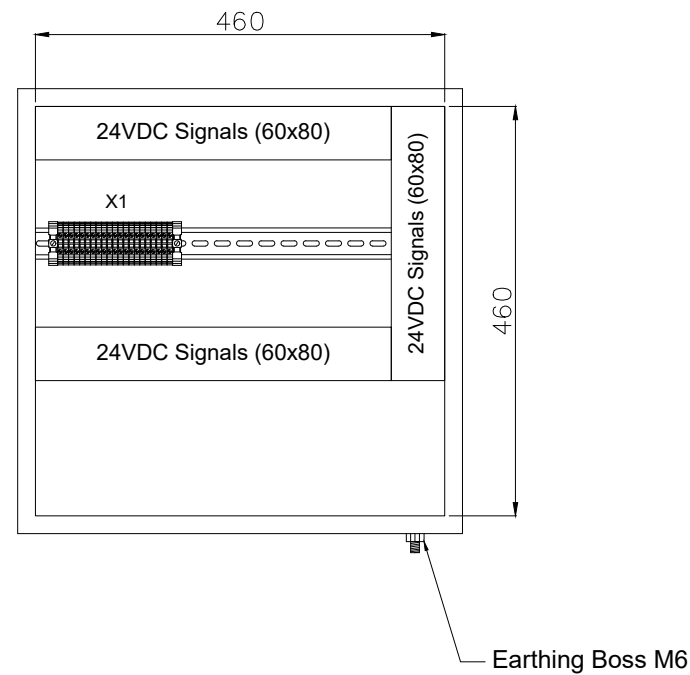
OWNER PROJECT NO.	VENDOR DWG.	MR NO.	VENDOR CODE	DISCIPLINE	UNIT	TYPE	SEQ.
3944	VD	0171	DYP	RE	400	DWG	0003
SCALE:	NONE	SIZE:	A0	SHEET NO.	31 OF 34	REV.	05

44LCP-8004091

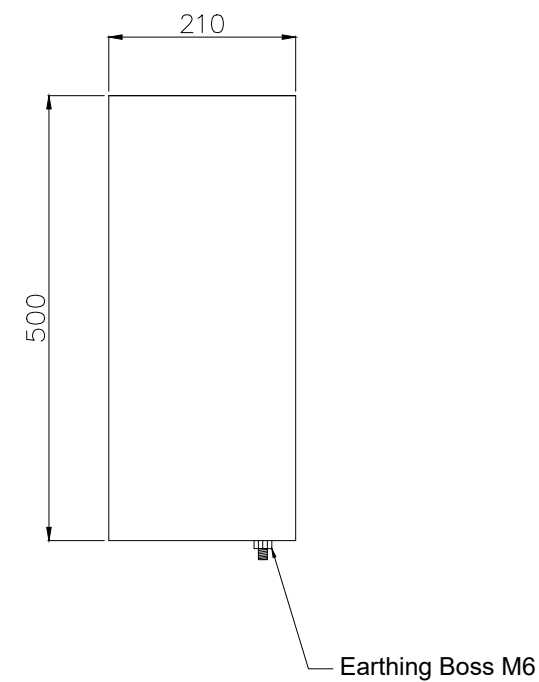
Front Side (Outside) View



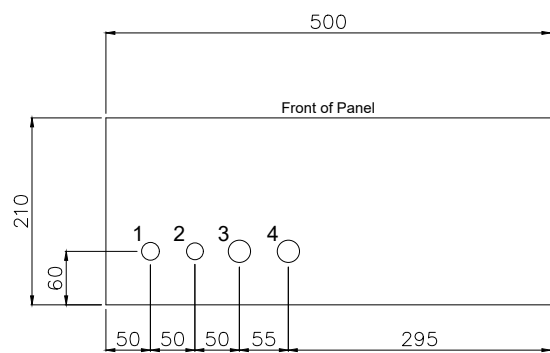
Front Side (Inside) View



Side (Outside) View



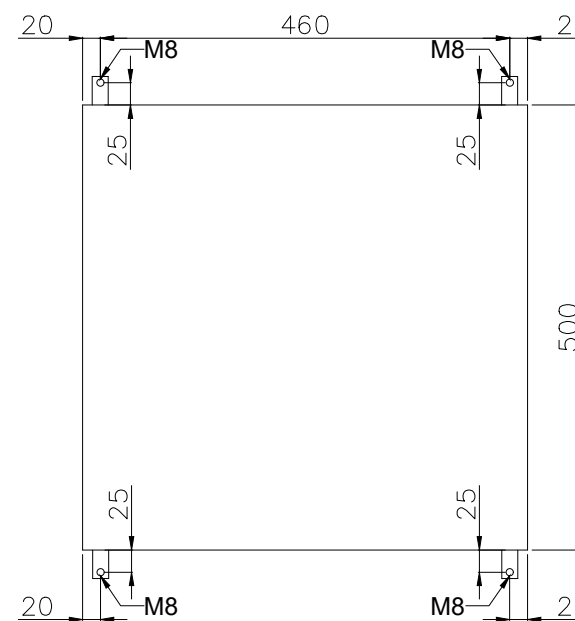
Bottom View



Gland Entry Details

1. M20 - 1x (Breather)
2. M20 - 1x (Spare)
3. M25 - 1x (Cable for Pushbuttons & Lamps)
4. M25 - 1x (Spare)

Back (Outside) View Mounting Details



GENERAL NOTES

- NOTES
1. PANEL DIMENSIONS: 500x500x210mm
 2. PANEL MATERIAL: SS316L STAINLESS STEEL
 3. PANEL COLOR: RAL7032 (GRAY)
 4. PANEL WALL THICKNESS: 1.6mm
 5. PANEL WEIGHT: ~20Kg
 6. PANEL WILL BE RIGHT HINGED
 7. AREA CLASSIFICATION: Ex II 3G IIC T3 Eex'e'
 8. AMBIENT TEMPERATURE: 5°C/+48°C
 9. INGRESS PROTECTION: IP65
 10. CABLE RACEWAYS SHALL HAVE NO LESS THAN 20% SPARE CAPACITY.
 11. DIN RAIL TYPE: NS35
 12. SPARES WILL BE PLUGGED WITH SUS EX PLUG
 13. GLANDS WILL BE Ex'd IP65 NICKEL PLATED BRASS TYPE GLANDS
 14. ALL DIMENSIONS IN mm.
 15. EXTERNAL EARTH BOLT AND RELATED PARTS ARE ALL COPPER.
 16. INDICATION LAMP VOLTAGE: 24VDC

REF DRAWINGS	DWG.No.
Wiring Diagram	3944-VD-0171-DYP-RE-400-DIA-0002
I/O List	3944-VD-0171-DYP-RE-400-LST-0080
E&I System Config Diag.	3944-VD-0171-DYP-RE-400-DIA-0078

LEGEND

RESULT CODE: AP AN CO RE RESUBMISSION DATE:

NEXT STATUS: IFI IFA IAF ASB/IFIN

Approval or review hereunder shall not be construed to relieve Vendor/ Subcontractor of his responsibilities and liability under the Contract.

P.O. NO.:

M.R. NO.:

ITEM NO. (EQUIPMENT NO.):

VENDRO JOB NO.:

REV.	DATE	PURPOSE OF ISSUE (P.O.I.)	PREP.	CHKD.	APPR.	AC.
05	23/Jan/25	ISSUED FOR APPROVAL	RT	RB	SC	-
04	31/Oct/25	ISSUED FOR APPROVAL	RT	RB	SC	-
03	26/Aug/25	ISSUED FOR APPROVAL	RT	RB	SC	-
02	16/Jul/25	ISSUED FOR APPROVAL	RT	RB	SC	-
01	25/Apr/25	ISSUED FOR APPROVAL	RT	RB	SC	-
00	24/Mar/25	ISSUED FOR APPROVAL	RT	RB	SC	-

OWNER:



PROJECT:

300 KT POLYETHYLENE PLANT
ARYA SASOL POLYMER COMPANY (ASPC)

MC:



CONTRACTOR:



VENDOR:



DRAWING TITLE:

PANEL LAYOUT DRAWING
LOCAL CONTROL PANEL 44LCP-8004091
44C-80005C

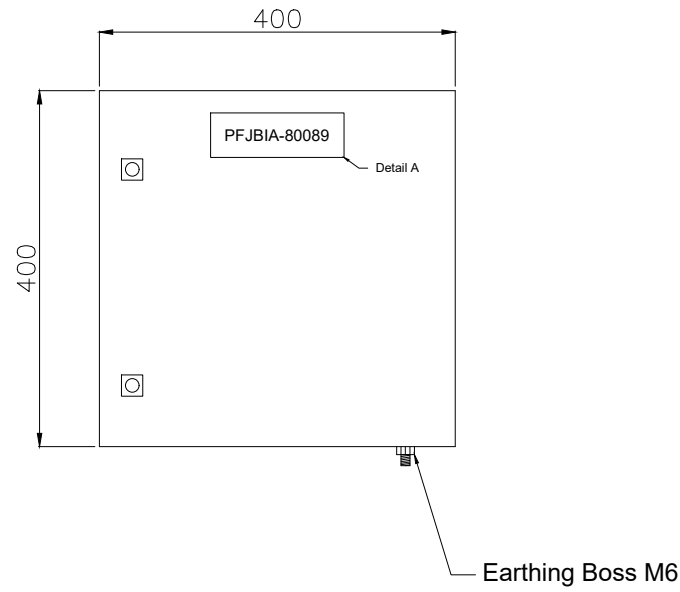
OWNER PROJECT NO. | VENDOR DWG. | MR NO. | VENDOR CODE | DISCIPLINE | UNIT | TYPE | SEQ.

3944 | VD | 0171 | DYP | RE | 400 | DWG | 0003

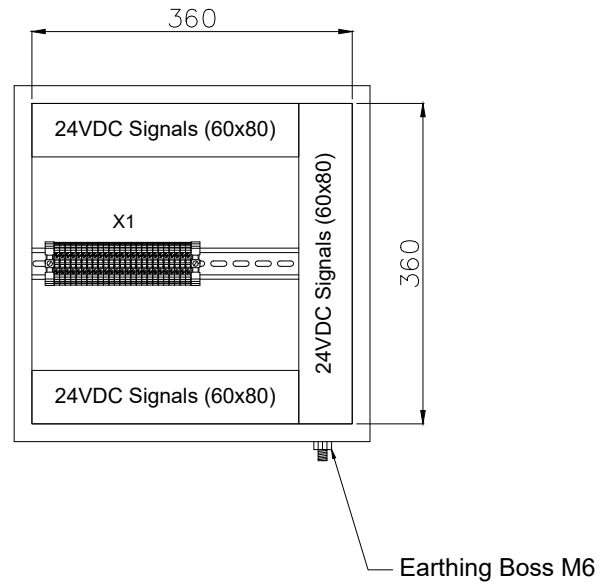
SCALE: NONE | SIZE: A0 | SHEET NO. 32 OF 34 | REV. 05

PFJBIA-80089

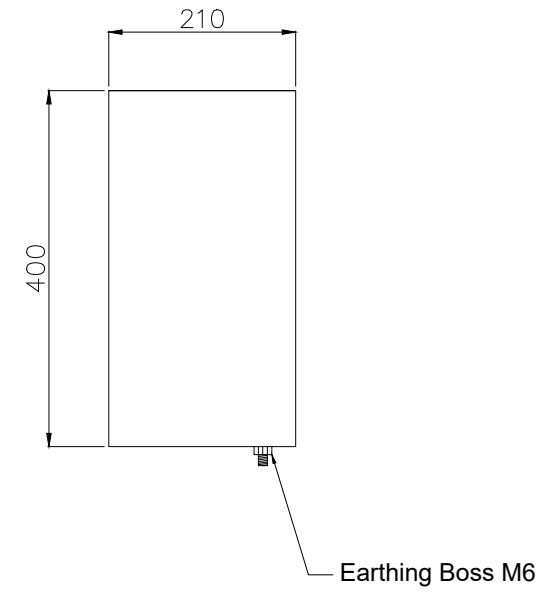
Front Side (Outside) View



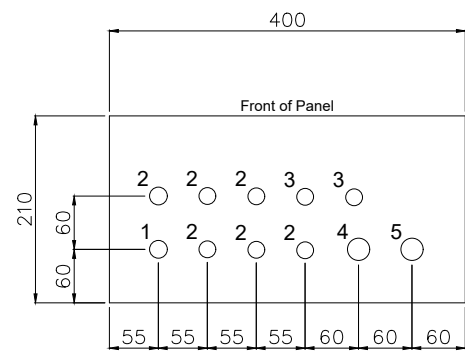
Front Side (Inside) View



Side (Outside) View



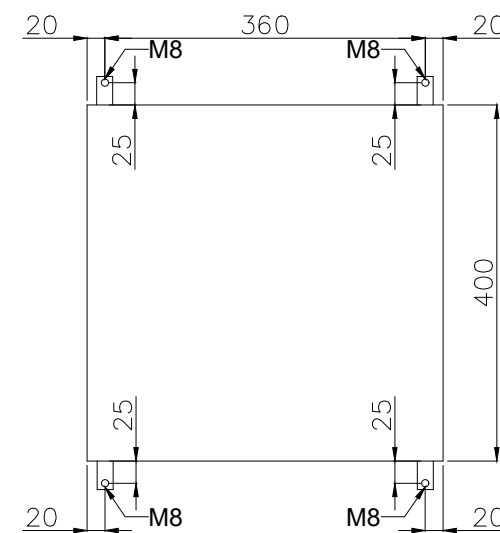
Bottom View



Gland Entry Details

1. M20 - 1x (Breather)
2. M20 - 6x (Cables from Transmitters)
3. M20 - 2x (Spare)
4. M25 - 1x (Multipair Cable from Customer)
5. M25 - 1x (Spare)

Back (Outside) View Mounting Details



GENERAL NOTES

- NOTES
1. PANEL DIMENSIONS: 400x400x210mm
 2. PANEL MATERIAL: SS316L STAINLESS STEEL
 3. PANEL COLOR: RAL7032 (GRAY)
 4. PANEL WALL THICKNESS: 1.6mm
 5. PANEL WEIGHT: ~15Kg
 6. PANEL WILL BE RIGHT HINGED
 7. AREA CLASSIFICATION: Ex II 3G IIC T3 Eex'e'
 8. AMBIENT TEMPERATURE: 5°C/+48°C
 9. INGRESS PROTECTION: IP65
 10. CABLE RACEWAYS SHALL HAVE NO LESS THAN 20% SPARE CAPACITY.
 11. DIN RAIL TYPE: NS35
 12. SPARES WILL BE PLUGGED WITH SUS EX PLUG
 13. GLANDS WILL BE Ex'd IP65 NICKEL PLATED BRASS TYPE GLANDS
 14. ALL DIMENSIONS IN mm.
 15. EXTERNAL EARTH BOLT AND RELATED PARTS ARE ALL COPPER.

REF DRAWINGS	DWG.No.
Wiring Diagram	3944-VD-0171-DYP-RE-400-DIA-0002
I/O List	3944-VD-0171-DYP-RE-400-LST-0080
E&I System Config Diag.	3944-VD-0171-DYP-RE-400-DIA-0078

LEGEND

RESULT CODE: AP AN CO RE RESUBMISSION DATE:

NEXT STATUS: IFI IFA IAF ASB/IFIN

Approval or review hereunder shall not be construed to relieve Vendor/ Subcontractor of his responsibilities and liability under the Contract.

P.O. NO.:

M.R. NO.:

ITEM NO. (EQUIPMENT NO.):

VENDRO JOB NO.:

REV.	DATE	PURPOSE OF ISSUE (P.O.I.)	PREP.	CHKD.	APPR.	AC.
05	23/Jan/25	ISSUED FOR APPROVAL	RT	RB	SC	-
04	31/Oct/25	ISSUED FOR APPROVAL	RT	RB	SC	-
03	26/Aug/25	ISSUED FOR APPROVAL	RT	RB	SC	-
02	16/Jul/25	ISSUED FOR APPROVAL	RT	RB	SC	-
01	25/Apr/25	ISSUED FOR APPROVAL	RT	RB	SC	-
00	24/Mar/25	ISSUED FOR APPROVAL	RT	RB	SC	-

OWNER:



PROJECT:

300 KT POLYETHYLENE PLANT
ARYA SASOL POLYMER COMPANY (ASPC)

MC:



CONTRACTOR:



DRAWING TITLE:

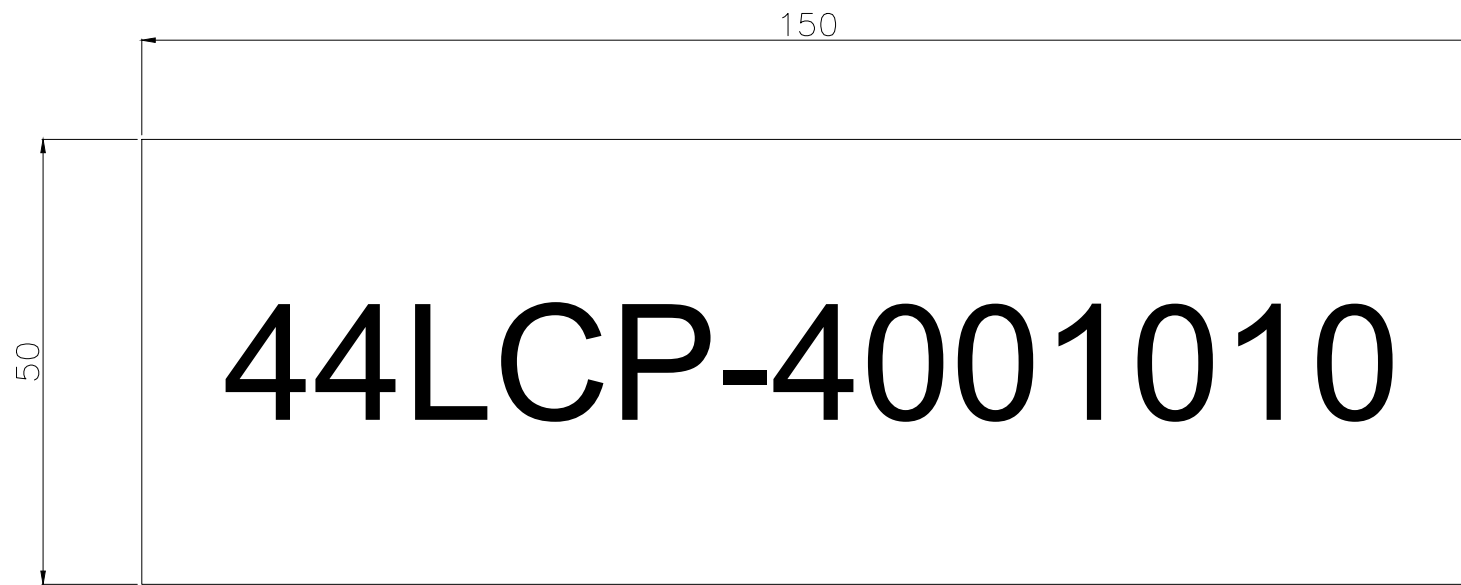
PANEL LAYOUT DRAWING
LOCAL CONTROL PANEL PFJBIA-80089
44C-80005C

OWNER DOC. NO.

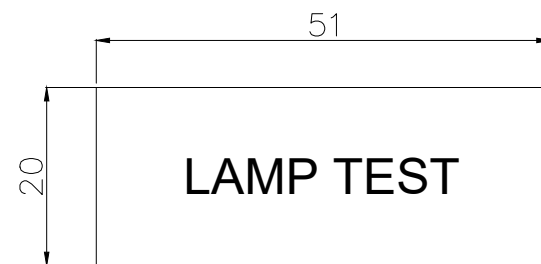
OWNER PROJECT NO.	VENDOR DWG.	MR NO.	VENDOR CODE	DISCIPLINE	UNIT	TYPE	SEQ.
3944	VD	0171	DYP	RE	400	DWG	0003

SCALE:	SIZE:	SHEET NO.	OF	REV.
NONE	A0	33	34	05

NAME PLATE DETAILS



DETAIL A
SCALE 10:1
BLACK LETTERS WITH WHITE
BACKGROUND



DETAIL B
SCALE 10:1
BLACK LETTERS WITH WHITE
BACKGROUND

GENERAL NOTES

- NOTES
1. NAME PLATES WILL BE MADE OF STAINLESS STEEL
2. NAME PLATES WILL BE MOUNTED ON THE INSIDE OF THE DOOR AND ON THE OUTSIDE OF THE DOOR

REF DRAWINGS	DWG.No.
Wiring Diagram	3944-VD-0171-DYP-RE-400-DIA-0002
I/O List	3944-VD-0171-DYP-RE-400-LST-0080
E&I System Config Diag.	3944-VD-0171-DYP-RE-400-DIA-0078

LEGEND

RESULT CODE: AP AN CO RE

RESUBMISSION DATE:

NEXT STATUS: IFI IFA AFC ASB/IFIN

Approval or review hereunder shall not be construed to relieve Vendor/ Subcontractor of his responsibilities and liability under the Contract.

P.O. NO.:

M.R. NO.:

ITEM NO. (EQUIPMENT NO.):

VENDRO JOB NO.:

05	23/Jan/25	ISSUED FOR APPROVAL	RT	RB	SC	-
04	31/Oct/25	ISSUED FOR APPROVAL	RT	RB	SC	-
03	26/Aug/25	ISSUED FOR APPROVAL	RT	RB	SC	-
02	16/Jul/25	ISSUED FOR APPROVAL	RT	RB	SC	-
01	25/Apr/25	ISSUED FOR APPROVAL	RT	RB	SC	-
00	24/Mar/25	ISSUED FOR APPROVAL	RT	RB	SC	-

REV. DATE PURPOSE OF ISSUE (P.O.I) PREP. CHKD. APPR. AC.

OWNER:



PROJECT:

300 KT POLYETHYLENE PLANT
ARYA SASOL POLYMER COMPANY (ASPC)

MC:



CONTRACTOR:



DRAWING TITLE:

PANEL LAYOUT DRAWING
LOCAL CONTROL PANEL 44AJB-80005C

OWNER DOC. NO.

OWNER PROJECT NO.	VENDOR DWG.	MR NO.	VENDOR CODE	DISCIPLINE	UNIT	TYPE	SEQ.
3944	VD	0171	DYP	RE	400	DWG	0003

SCALE: NONE SIZE: A0 SHEET NO. 34 OF 34 REV. 05