



ASPC Project



END CUSTOMER	: Arya Sasol Polymer Company
CONTRACTOR	: DYPNF Co., Ltd.
VENDOR NAME	: Airpack Netherlands BV
EQUIPMENT DESCRIPTION	: Screw Compressor & Roots Blower Package
PURCHASE ORDER NUMBER	: PO-PC2312-08

Customer Document : 3944-VD-0171-DYP-RE-400-DWG-0003
Number

Airpack Document Number : 23383-07

Document Title : Panel Layout Drawing

Review Code and Status		Contractor Initials/Signature	Date signed
<input type="checkbox"/>	Code 1 REJECTED - Vendor to revise and Resubmit. Work cannot proceed		
<input type="checkbox"/>	Code 2 Comments As Noted - Work May proceed, subject to compliance with and incorporation of comments		
<input type="checkbox"/>	Code 3 No Comments - Work may proceed.		
<input type="checkbox"/>	Code 4 Information only - Review not required.		

Rev. No.	Description	Date	Prepared by	Checked by	Approved by
01	Issued for Approval	28-04-2025	RT	SC	JJ
00	Issued for Approval	25-03-2025	RT	SC	JJ


No.	Description	Tag Number	Make	Model	Qty.
1	Ready Indication Lamp (Green)	3H4	Bartec	07-3351-1420	1
2	Running Indication Lamp (Green)	3H6	Bartec	07-3351-1420	1
3	Alarm Indication Lamp (Amber)	3H8	Bartec	07-3351-1430	1
4	Trip Lamp (Red)	3H10	Bartec	07-3351-1410	1
5	Start Pushbutton (Green)	2S4	Bartec	07-3353-400	1
6	Stop Pushbutton (Red)	2S6	Bartec	07-3353-400	1
7	Lamp Test Pushbutton (Black)	2S8	Bartec	07-3353-400	1
8	Selector Switch (Local/Off/Remote)	2S10	Bartec	05-0003-001000	1
9	Emergency Shutdown Pushbutton with Protective Cover	4S4	Bartec	05-0003-00 0800	1
Terminal Strip Definition					
X1	Connection Pushbuttons	X1	Phoenix Contact	3044102	16
X2	Connection Lamps	X2	Phoenix Contact	3211760	16
X9	Connection ESD Pushbutton	X9	Phoenix Contact	3044102	16

GENERAL NOTES	
NOTES 1. BILL OF MATERIALS (BOM) AS PER THE LATEST WIRING DIAGRAM.	
REFERENCE DRAWINGS	DWG.No.
xxxx	xxxx

LEGEND	


RESULT CODE:	<input type="checkbox"/> AP	<input type="checkbox"/> AN	<input type="checkbox"/> CO	<input type="checkbox"/> RE	RESUBMISSION DATE:
NEXT STATUS:	<input type="checkbox"/> IFI	<input type="checkbox"/> IFA	<input type="checkbox"/> AFC	<input type="checkbox"/> ASB/IFIN	
Approval or review hereunder shall not be construed to relieve Vendor/ Subcontractor of his responsibilities and liability under the Contract.					
P.O. NO.:					
M.R. NO.:					
ITEM NO. (EQUIPMENT NO.):					
VENDRO JOB NO.:					
01 25/Apr/25	ISSUE FOR APPROVAL	RT	RB	SC	-
00 24/Mar/25	ISSUED FOR APPROVAL	RT	RB	SC	-
REV. DATE	PURPOSE OF ISSUE (P.O.I.)	PREP.	CHKD.	APPR.	AC.

OWNER:




PROJECT:
300 KT POLYETHYLENE PLANT
ARYA SASOL POLYMER COMPANY (ASPC)


MC:



CONTRACTOR:



VENDOR:

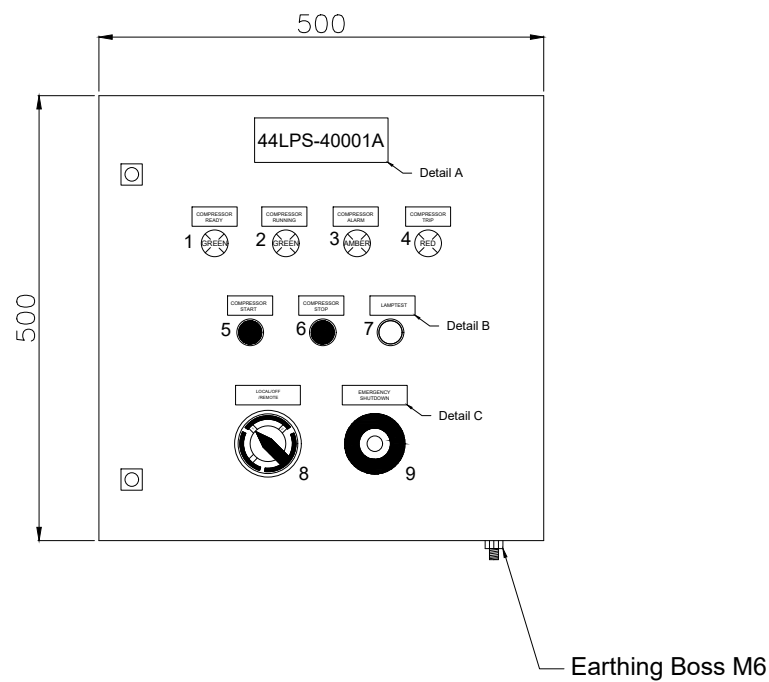


DRAWING TITLE:
PANEL LAYOUT DRAWING
BILL OF MATERIALS FOR
LOCAL CONTROL PANEL 44LPS-40001A
OWNER DOC. NO.

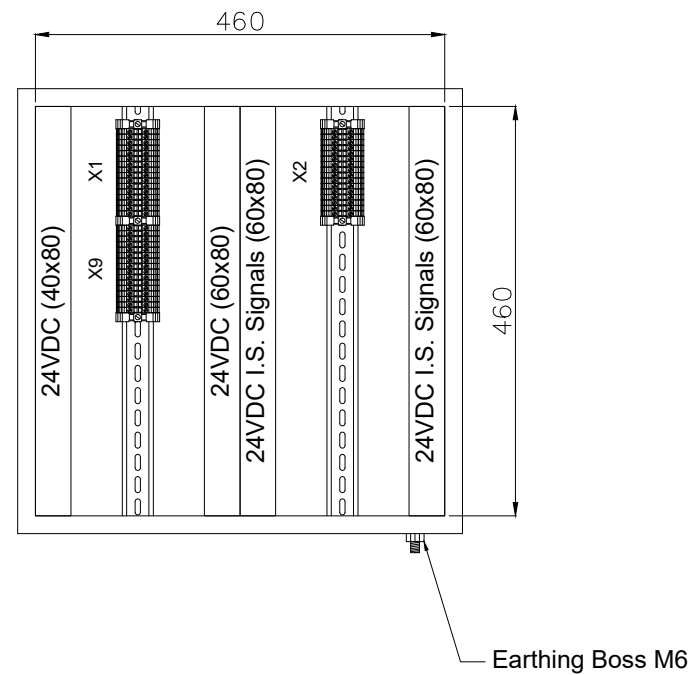
OWNER PROJECT NO.	VENDOR DWG.	MR NO.	VENDOR CODE	DISCIPLINE	UNIT	TYPE	SEQ.
3944	VD	0171	DYP	RE	400	DWG	0003
SCALE: NONE	SIZE: A0	SHEET NO. 1	OF 34	REV. 01			

44LPS-40001A

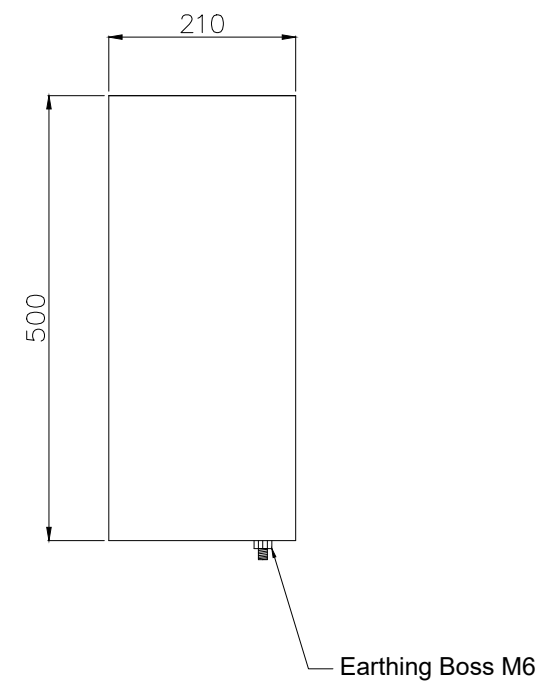
Front Side (Outside) View



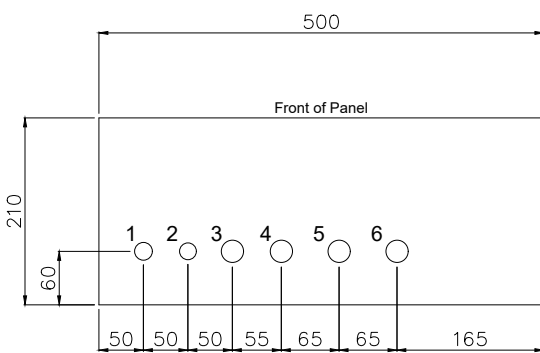
Front Side (Inside) View



Side (Outside) View



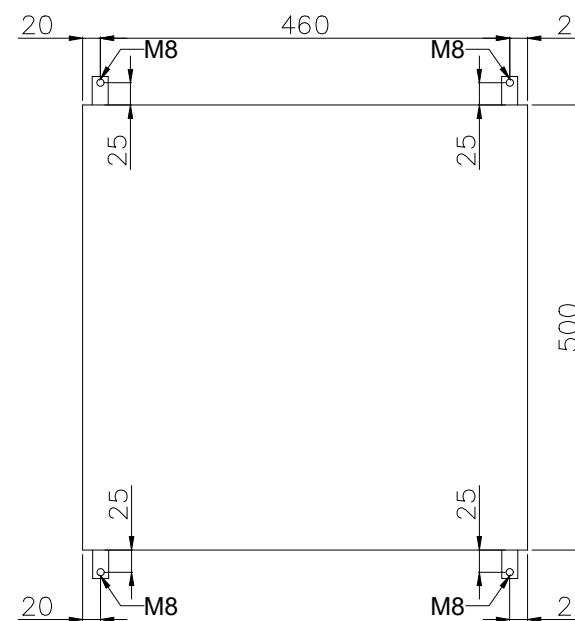
Bottom View



Gland Entry Details

1. M20 - 1x (Breather)
2. M20 - 1x (Spare)
3. M25 - 1x (Cable for Lamps)
4. M25 - 1x (Cable for Pushbuttons)
5. M25 - 1x (Cable for ESD Pushbutton)
6. M25 - 1x (Spare)

Back (Outside) View Mounting Details



GENERAL NOTES

- NOTES
1. PANEL DIMENSIONS: 500x500x210mm
 2. PANEL MATERIAL: SS316L STAINLESS STEEL
 3. PANEL COLOR: RAL7035 (GRAY)
 4. PANEL WILL BE RIGHT HINGED
 5. AREA CLASSIFICATION: Ex II 3G IIC T3 Eex'e'
 6. AMBIENT TEMPERATURE: 5°C/+48°C
 7. INGRESS PROTECTION: IP65
 8. CABLE RACEWAYS SHALL HAVE NO LESS THAN 20% SPARE CAPACITY.
 9. DIN RAIL TYPE: NS35
 10. BLUE SLOTTED CABLE TRUNKING WILL BE PROVIDED FOR INTRINSICALLY SAFE SIGNALS.
 11. SPARES WILL BE PLUGGED WITH SUS Ex PLUG
 12. GLANDS WILL BE Ex'd IP65 NICKEL PLATED BRASS TYPE GLANDS

REFERENCE DRAWINGS	DWG.No.
xxxx	xxxx

LEGEND

RESULT CODE: AP AN CO RE RESUBMISSION DATE:

NEXT STATUS: IFI IFA IFC ASB/FIN

Approval or review hereunder shall not be construed to relieve Vendor/ Subcontractor of his responsibilities and liability under the Contract.

P.O. NO.:

M.R. NO.:

ITEM NO. (EQUIPMENT NO.):

VENDOR JOB NO.:

REV.	DATE	PURPOSE OF ISSUE (P.O.I.)	PREP.	CHKD.	APPR.	AC.
01	25/Apr/25	ISSUE FOR APPROVAL	RT	RB	SC	-
00	24/Mar/25	ISSUED FOR APPROVAL	RT	RB	SC	-

OWNER:



PROJECT:

300 KT POLYETHYLENE PLANT
ARYA SASOL POLYMER COMPANY (ASPC)

MC:



CONTRACTOR:



DRAWING TITLE:

PANEL LAYOUT DRAWING
LOCAL CONTROL PANEL 44LPS-40001A

OWNER DOC. NO.

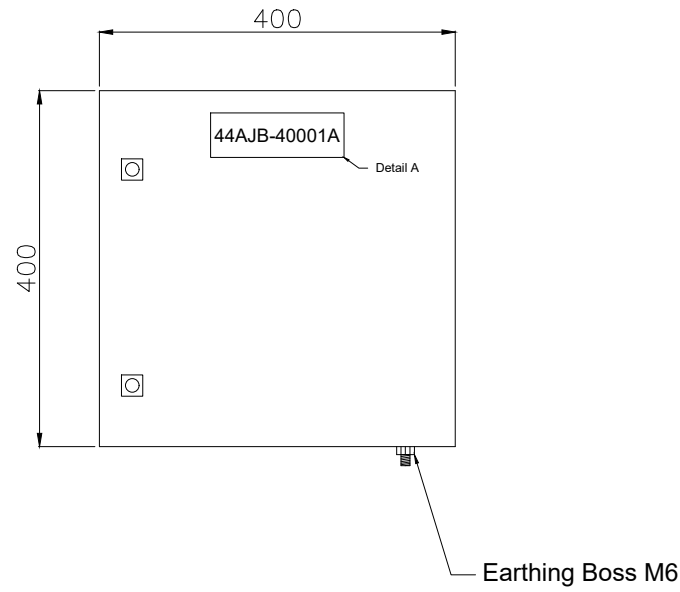
OWNER PROJECT NO. VENDOR DWG. MR NO. VENDOR CODE DISCIPLINE UNIT TYPE SEQ.

3944 VD 0171 DYP RE 400 DWG 0003

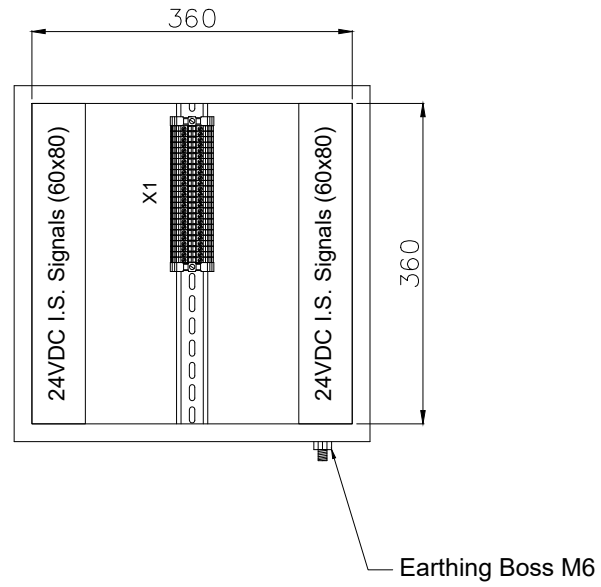
SCALE: NONE SIZE: A0 SHEET NO. 2 OF 34 REV. 01

44AJB-40001A

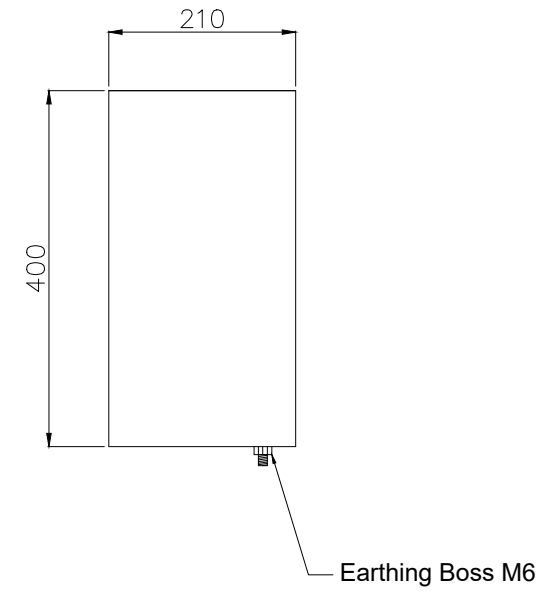
Front Side (Outside) View



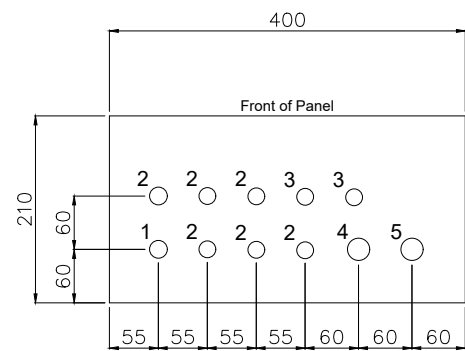
Front Side (Inside) View



Side (Outside) View



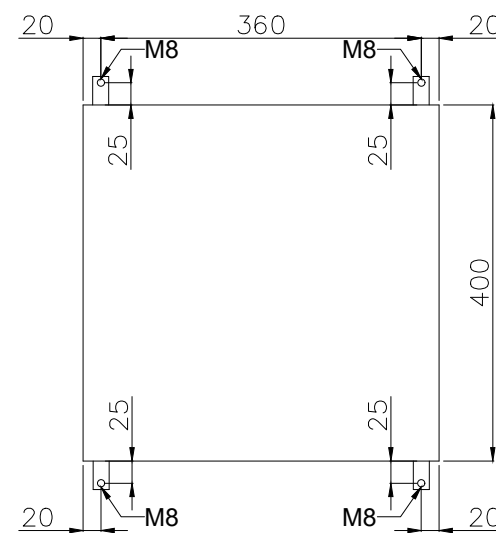
Bottom View



Gland Entry Details

1. M20 - 1x (Breather)
2. M20 - 6x (Cables from Transmitters)
3. M20 - 2x (Spare)
4. M25 - 1x (Multipair Cable from Customer)
5. M25 - 1x (Spare)

Back (Outside) View Mounting Details



GENERAL NOTES

- NOTES
1. PANEL DIMENSIONS: 400x400x210mm
 2. PANEL MATERIAL: SS316L STAINLESS STEEL
 3. PANEL COLOR: RAL5010 (BLUE)
 4. PANEL WILL BE RIGHT HINGED
 5. AREA CLASSIFICATION: Ex II 3G IIC T3 Eex'e'
 6. AMBIENT TEMPERATURE: 5°C/+48°C
 7. INGRESS PROTECTION: IP65
 8. CABLE RACEWAYS SHALL HAVE NO LESS THAN 20% SPARE CAPACITY.
 9. DIN RAIL TYPE: NS35
 10. BLUE SLOTTED CABLE TRUNKING WILL BE PROVIDED FOR INTRINSICALLY SAFE SIGNALS.
 11. SPARES WILL BE PLUGGED WITH SUS Ex PLUG
 12. GLANDS WILL BE Ex'd IP65 NICKEL PLATED BRASS TYPE GLANDS

REFERENCE DRAWINGS	DWG.No.
xxxx	xxxx

LEGEND

RESULT CODE: AP AN CO RE RESUBMISSION DATE:

NEXT STATUS: IFI IFA IAF ASB/IFIN

Approval or review hereunder shall not be construed to relieve Vendor/ Subcontractor of his responsibilities and liability under the Contract.

P.O. NO.:

M.R. NO.:

ITEM NO. (EQUIPMENT NO.):

VENDRO JOB NO.:

REV.	DATE	PURPOSE OF ISSUE (P.O.I.)	PREP.	CHKD.	APPR.	AC.
01	25/Apr/25	ISSUE FOR APPROVAL	RT	RB	SC	-
00	24/Mar/25	ISSUED FOR APPROVAL	RT	RB	SC	-

OWNER:



PROJECT:

300 KT POLYETHYLENE PLANT
ARYA SASOL POLYMER COMPANY (ASPC)

MC:



CONTRACTOR:



VENDOR:



DRAWING TITLE:
PANEL LAYOUT DRAWING
LOCAL CONTROL PANEL 44AJB-40001A

OWNER PROJECT NO.	VENDOR DWG.	MR NO.	VENDOR CODE	DISCIPLINE	UNIT	TYPE	SEQ.
3944	VD	0171	DYP	RE	400	DWG	0003

SCALE: NONE SIZE: A0 SHEET NO. 3 OF 34 REV. 01


No.	Description	Tag Number	Make	Model	Qty.
1	Ready Indication Lamp (Green)	3H4	Bartec	07-3351-1420	1
2	Running Indication Lamp (Green)	3H6	Bartec	07-3351-1420	1
3	Alarm Indication Lamp (Amber)	3H8	Bartec	07-3351-1430	1
4	Trip Lamp (Red)	3H10	Bartec	07-3351-1410	1
5	Start Pushbutton (Green)	2S4	Bartec	07-3353-400	1
6	Stop Pushbutton (Red)	2S6	Bartec	07-3353-400	1
7	Lamp Test Pushbutton (Black)	2S8	Bartec	07-3353-400	1
8	Selector Switch (Local/Off/Remote)	2S10	Bartec	05-0003-001000	1
9	Emergency Shutdown Pushbutton with Protective Cover	4S4	Bartec	05-0003-00 0800	1
Terminal Strip Definition					
X1	Connection Pushbuttons	X1	Phoenix Contact	3044102	16
X2	Connection Lamps	X2	Phoenix Contact	3211760	16
X9	Connection ESD Pushbutton	X9	Phoenix Contact	3044102	16

GENERAL NOTES	
NOTES 1. BILL OF MATERIALS (BOM) AS PER THE LATEST WIRING DIAGRAM.	
REFERENCE DRAWINGS	DWG.No.
xxxx	xxxx

LEGEND	



RESULT CODE:	<input type="checkbox"/> AP	<input type="checkbox"/> AN	<input type="checkbox"/> CO	<input type="checkbox"/> RE	RESUBMISSION DATE:
NEXT STATUS:	<input type="checkbox"/> IFI	<input type="checkbox"/> IFA	<input type="checkbox"/> AFC	<input type="checkbox"/> ASB/IFIN	
Approval or review hereunder shall not be construed to relieve Vendor/ Subcontractor of his responsibilities and liability under the Contract.					
P.O. NO.:					
M.R. NO.:					
ITEM NO. (EQUIPMENT NO.):					
VENDRO JOB NO.:					
01 25/Apr/25	ISSUE FOR APPROVAL	RT	RB	SC	-
00 24/Mar/25	ISSUED FOR APPROVAL	RT	RB	SC	-
REV.	DATE	PURPOSE OF ISSUE (P.O.I.)	PREP.	CHKD.	APPR.

OWNER:





PROJECT:
300 KT POLYETHYLENE PLANT
ARYA SASOL POLYMER COMPANY (ASPC)


MC:

CONTRACTOR:

VENDOR:



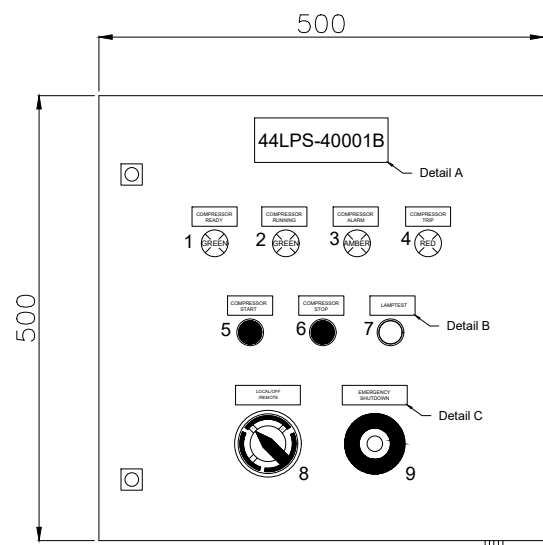
DRAWING TITLE:
PANEL LAYOUT DRAWING
BILL OF MATERIALS FOR
LOCAL CONTROL PANEL 44LPS-40001B
OWNER DOC. NO.

OWNER PROJECT NO.	VENDOR DWG.	MR NO.	VENDOR CODE	DISCIPLINE	UNIT	TYPE	SEQ.
3944	VD	0171	DYP	RE	400	DWG	0003
SCALE:	NONE	SIZE:	A0	SHEET NO.	4 OF 34	REV.	01

THIS DOCUMENT WITH ALL ITS RIGHTS IS THE PROPERTY OF A.S.P.C. AND MUST BE HELD IN CONFIDENCE. NO DISCLOSURE, REPRODUCTION OR OTHER USE OF THE DOCUMENT IN WHOLE OR A PORTIONS TO BE MADE WITHOUT THE PRIOR CONSENT OF A.S.P.C.

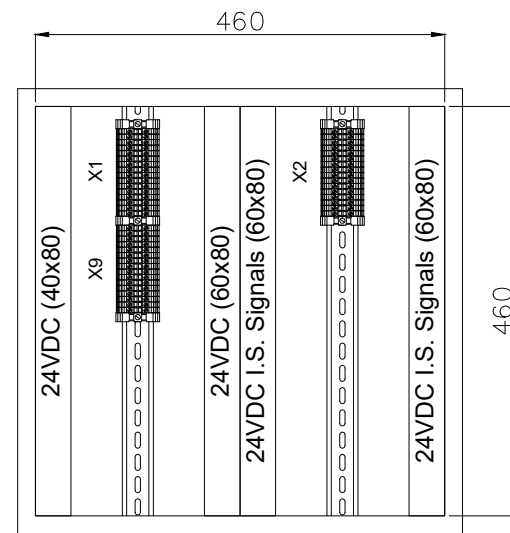
44LPS-40001B

Front Side (Outside) View



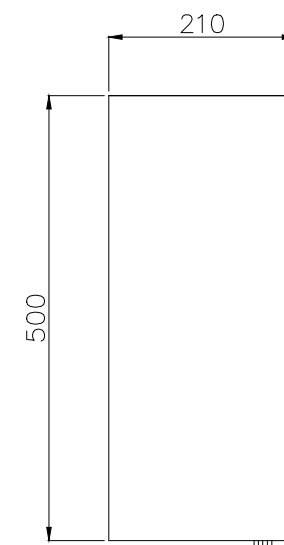
Earthing Boss M6

Front Side (Inside) View



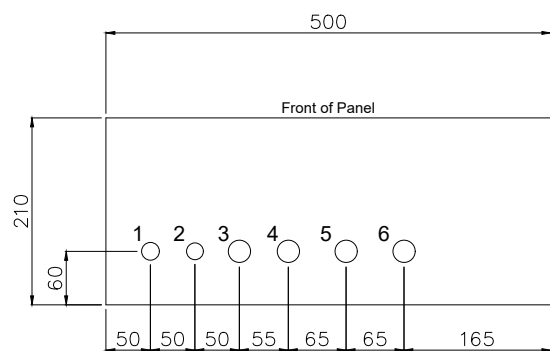
Earthing Boss M6

Side (Outside) View



Earthing Boss M6

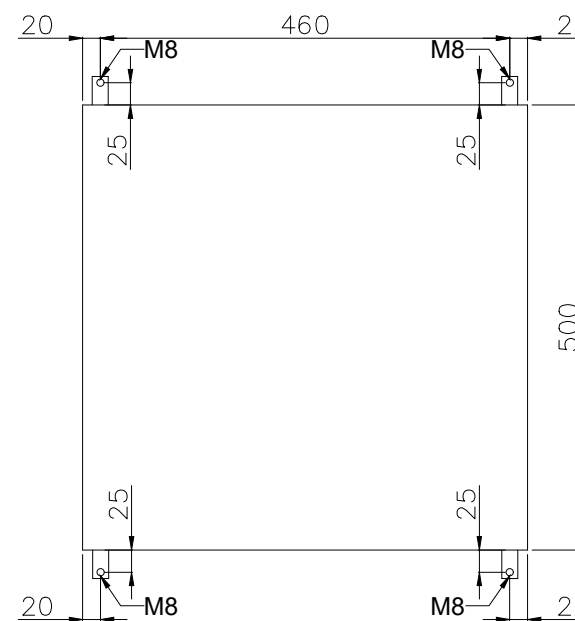
Bottom View



Gland Entry Details

1. M20 - 1x (Breather)
2. M20 - 1x (Spare)
3. M25 - 1x (Cable for Lamps)
4. M25 - 1x (Cable for Pushbuttons)
5. M25 - 1x (Cable for ESD Pushbutton)
6. M25 - 1x (Spare)

Back (Outside) View Mounting Details



GENERAL NOTES	
NOTES	
1. PANEL DIMENSIONS: 500x500x210mm	
2. PANEL MATERIAL: SS316L STAINLESS STEEL	
3. PANEL COLOR: RAL7035 (GRAY)	
4. PANEL WILL BE RIGHT HINGED	
5. AREA CLASSIFICATION: Ex II 3G IIC T3 Eex'e'	
6. AMBIENT TEMPERATURE: 5°C/+48°C	
7. INGRESS PROTECTION: IP65	
8. CABLE RACEWAYS SHALL HAVE NO LESS THAN 20% SPARE CAPACITY.	
9. DIN RAIL TYPE: NS35	
10. BLUE SLOTTED CABLE TRUNKING WILL BE PROVIDED FOR INTRINSICALLY SAFE SIGNALS.	
11. SPARES WILL BE PLUGGED WITH SUS Ex PLUG	
12. GLANDS WILL BE Ex'd IP65 NICKEL PLATED BRASS TYPE GLANDS	

REFERENCE DRAWINGS	DWG.No.
xxxx	xxxx

LEGEND	

RESULT CODE: AP AN CO RE RESUBMISSION DATE:

NEXT STATUS: IFI IFA IFC ASB/FIN

Approval or review hereunder shall not be construed to relieve Vendor/ Subcontractor of his responsibilities and liability under the Contract.

P.O. NO.:

M.R. NO.:

ITEM NO. (EQUIPMENT NO.):

VENDOR JOB NO.:

REV.	DATE	PURPOSE OF ISSUE (P.O.I.)	PREP.	CHKD.	APPR.	AC.
01	25/Apr/25	ISSUE FOR APPROVAL	RT	RB	SC	-
00	24/Mar/25	ISSUED FOR APPROVAL	RT	RB	SC	-

OWNER:



PROJECT:

300 KT POLYETHYLENE PLANT
ARYA SASOL POLYMER COMPANY (ASPC)

MC:



CONTRACTOR: SAZEH CONSULTANTS
VENDOR: DYPNF

DRAWING TITLE:

PANEL LAYOUT DRAWING
LOCAL CONTROL PANEL 44LPS-40001B

OWNER DOC. NO.

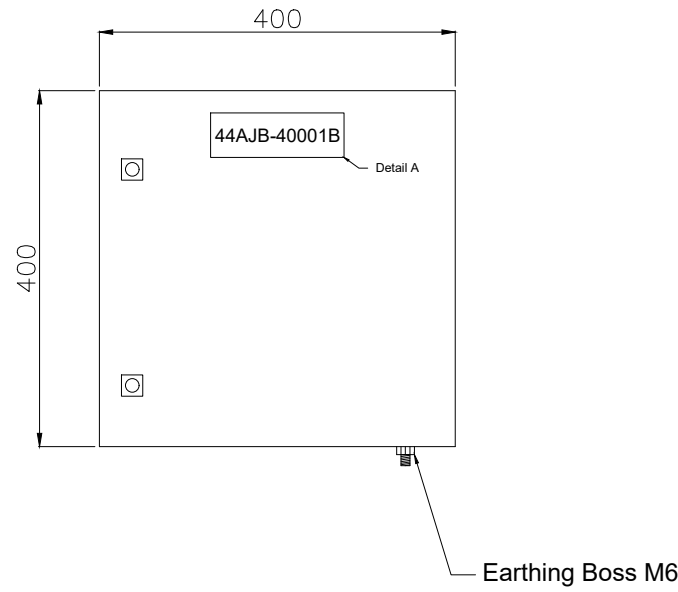
OWNER PROJECT NO. VENDOR DWG. MR NO. VENDOR CODE DISCIPLINE UNIT TYPE SEQ.

3944 VD 0171 DYP RE 400 DWG 0003

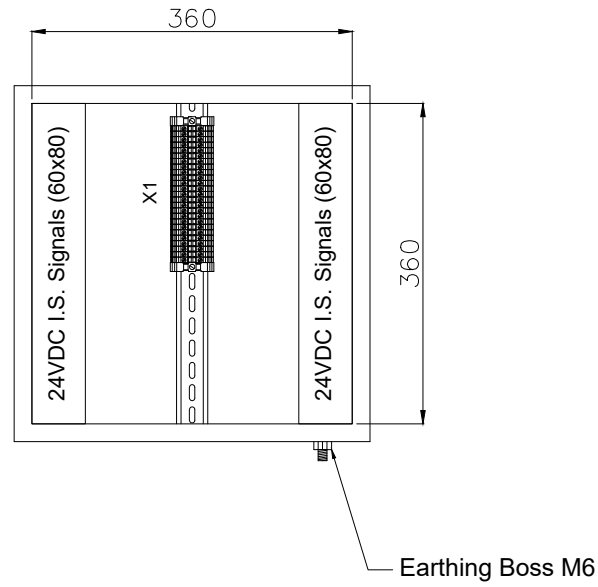
SCALE: NONE SIZE: A0 SHEET NO. 5 OF 34 REV. 01

44AJB-40001B

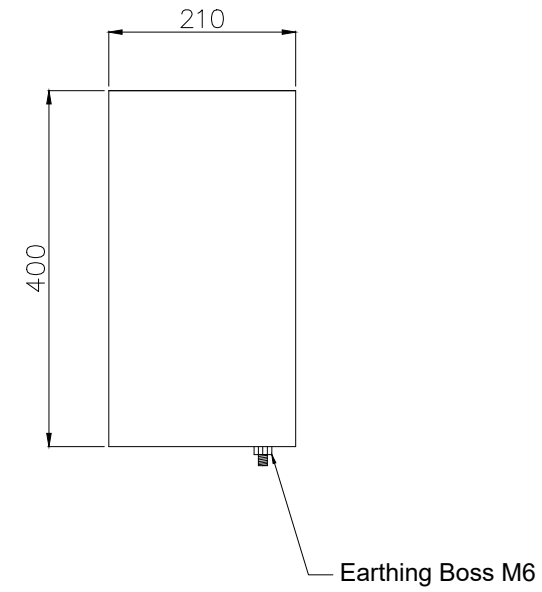
Front Side (Outside) View



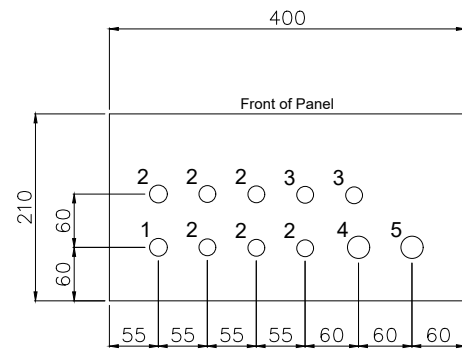
Front Side (Inside) View



Side (Outside) View



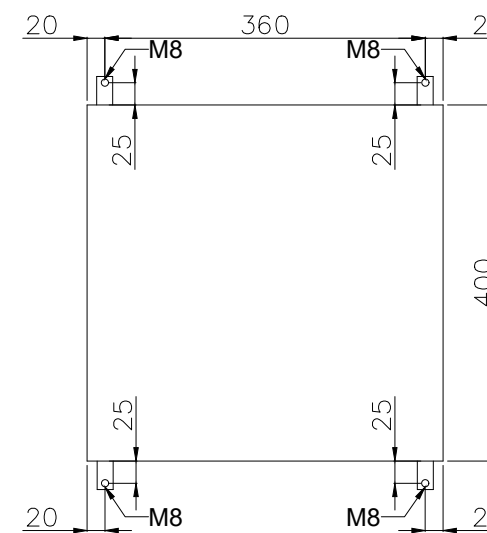
Bottom View



Gland Entry Details

1. M20 - 1x (Breather)
2. M20 - 6x (Cables from Transmitters)
3. M20 - 2x (Spare)
4. M25 - 1x (Multipair Cable from Customer)
5. M25 - 1x (Spare)

Back (Outside) View Mounting Details



GENERAL NOTES

- NOTES
1. PANEL DIMENSIONS: 400x400x210mm
 2. PANEL MATERIAL: SS316L STAINLESS STEEL
 3. PANEL COLOR: RAL5010 (BLUE)
 4. PANEL WILL BE RIGHT HINGED
 5. AREA CLASSIFICATION: Ex II 3G IIC T3 Eex'e'
 6. AMBIENT TEMPERATURE: 5°C/+48°C
 7. INGRESS PROTECTION: IP65
 8. CABLE RACEWAYS SHALL HAVE NO LESS THAN 20% SPARE CAPACITY.
 9. DIN RAIL TYPE: NS35
 10. BLUE SLOTTED CABLE TRUNKING WILL BE PROVIDED FOR INTRINSICALLY SAFE SIGNALS.
 11. SPARES WILL BE PLUGGED WITH SUS Ex PLUG
 12. GLANDS WILL BE Ex'd IP65 NICKEL PLATED BRASS TYPE GLANDS

REFERENCE DRAWINGS	DWG.No.
xxxx	xxxx

LEGEND

RESULT CODE: AP AN CO RE RESUBMISSION DATE:

NEXT STATUS: IFI IFA IAF ASB/IFIN

Approval or review hereunder shall not be construed to relieve Vendor/ Subcontractor of his responsibilities and liability under the Contract.

P.O. NO.:

M.R. NO.:

ITEM NO. (EQUIPMENT NO.):

VENDRO JOB NO.:

REV.	DATE	PURPOSE OF ISSUE (P.O.I.)	PREP.	CHKD.	APPR.	AC.
01	25/Apr/25	ISSUE FOR APPROVAL	RT	RB	SC	-
00	24/Mar/25	ISSUED FOR APPROVAL	RT	RB	SC	-

OWNER:



PROJECT:

300 KT POLYETHYLENE PLANT
ARYA SASOL POLYMER COMPANY (ASPC)



DRAWING TITLE:
PANEL LAYOUT DRAWING
LOCAL CONTROL PANEL 44AJB-40001B

OWNER PROJECT NO.	VENDOR DWG.	MR NO.	VENDOR CODE	DISCIPLINE	UNIT	TYPE	SEQ.
3944	VD	0171	DYP	RE	400	DWG	0003
SCALE: NONE	SIZE: A0	SHEET NO. 6	OF 34	REV. 01			


No.	Description	Tag Number	Make	Model	Qty.
1	Ready Indication Lamp (Green)	3H4	Bartec	07-3351-1420	1
2	Running Indication Lamp (Green)	3H6	Bartec	07-3351-1420	1
3	Alarm Indication Lamp (Amber)	3H8	Bartec	07-3351-1430	1
4	Trip Lamp (Red)	3H10	Bartec	07-3351-1410	1
5	Start Pushbutton (Green)	2S4	Bartec	07-3353-400	1
6	Stop Pushbutton (Red)	2S6	Bartec	07-3353-400	1
7	Lamp Test Pushbutton (Black)	2S8	Bartec	07-3353-400	1
8	Selector Switch (Local/Off/Remote)	2S10	Bartec	05-0003-001000	1
9	Emergency Shutdown Pushbutton with Protective Cover	4S4	Bartec	05-0003-00 0800	1
Terminal Strip Definition					
X1	Connection Pushbuttons	X1	Phoenix Contact	3044102	16
X2	Connection Lamps	X2	Phoenix Contact	3211760	16
X9	Connection ESD Pushbutton	X9	Phoenix Contact	3044102	16

GENERAL NOTES	
NOTES 1. BILL OF MATERIALS (BOM) AS PER THE LATEST WIRING DIAGRAM.	
REFERENCE DRAWINGS	DWG.No.
xxxx	xxxx

LEGEND	

RESULT CODE:	<input type="checkbox"/> AP	<input type="checkbox"/> AN	<input type="checkbox"/> CO	<input type="checkbox"/> RE	RESUBMISSION DATE:
NEXT STATUS:	<input type="checkbox"/> IFI	<input type="checkbox"/> IFA	<input type="checkbox"/> AFC	<input type="checkbox"/> ASB/IFIN	
Approval or review hereunder shall not be construed to relieve Vendor/ Subcontractor of his responsibilities and liability under the Contract.					
P.O. NO.:					
M.R. NO.:					
ITEM NO. (EQUIPMENT NO.):					
VENDRO JOB NO.:					
01 25/Apr/25	ISSUE FOR APPROVAL	RT	RB	SC	-
00 24/Mar/25	ISSUED FOR APPROVAL	RT	RB	SC	-
REV.	DATE	PURPOSE OF ISSUE (P.O.I.)	PREP.	CHKD.	APPR.



OWNER:



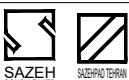

PROJECT:

300 KT POLYETHYLENE PLANT
ARYA SASOL POLYMER COMPANY (ASPC)


MC:

CONTRACTOR:

VENDOR:



DRAWING TITLE:

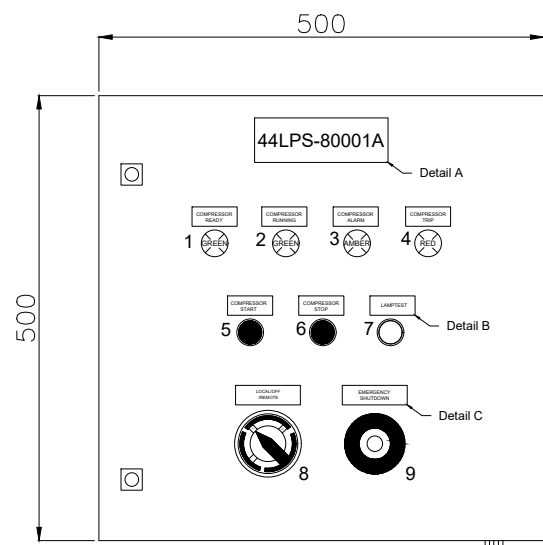
PANEL LAYOUT DRAWING
BILL OF MATERIALS FOR
LOCAL CONTROL PANEL 44LPS-80001A

OWNER DOC. NO.

OWNER PROJECT NO.	VENDOR DWG.	MR NO.	VENDOR CODE	DISCIPLINE	UNIT	TYPE	SEQ.
3944	VD	0171	DYP	RE	400	DWG	0003
SCALE:	NONE	SIZE:	A0	SHEET NO.	7 OF 34	REV.	01

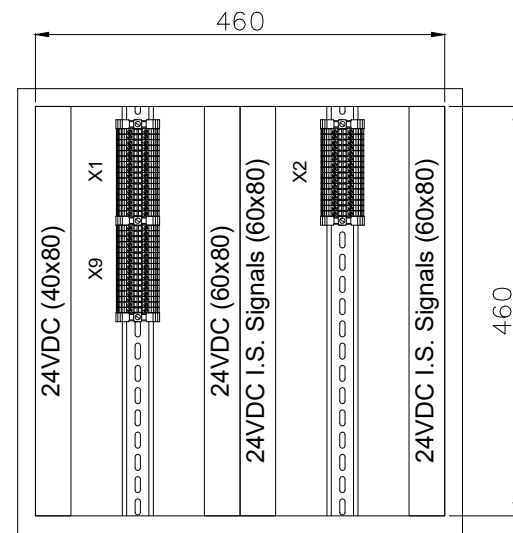
44LPS-80001A

Front Side (Outside) View



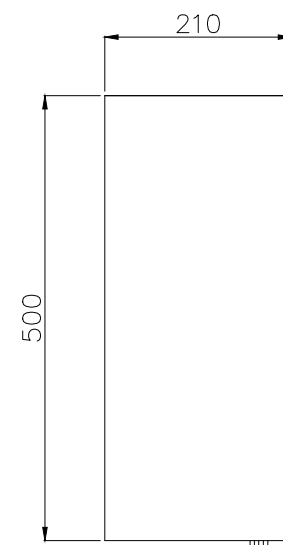
Earthing Boss M6

Front Side (Inside) View



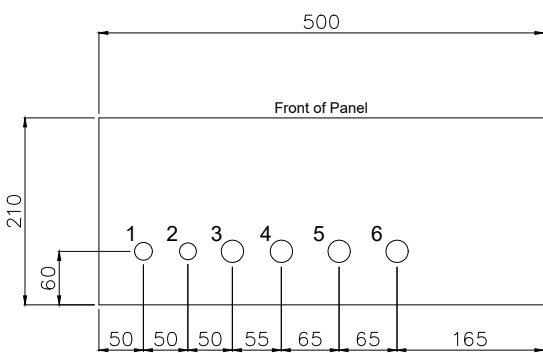
Earthing Boss M6

Side (Outside) View



Earthing Boss M6

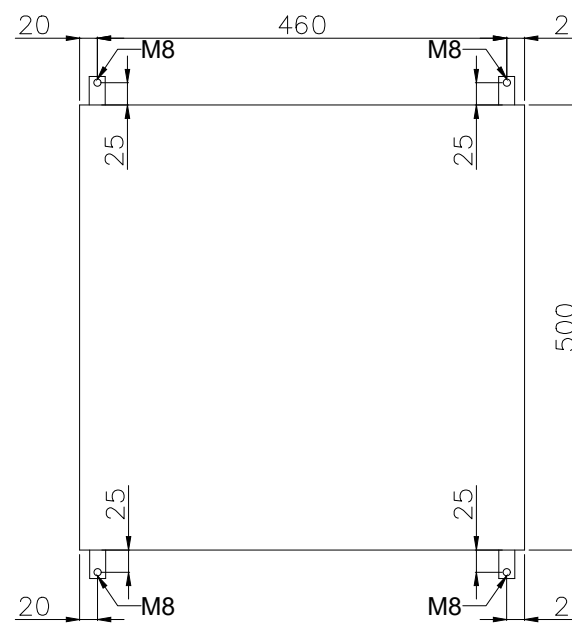
Bottom View



Gland Entry Details

1. M20 - 1x (Breather)
2. M20 - 1x (Spare)
3. M25 - 1x (Cable for Lamps)
4. M25 - 1x (Cable for Pushbuttons)
5. M25 - 1x (Cable for ESD Pushbutton)
6. M25 - 1x (Spare)

Back (Outside) View Mounting Details



GENERAL NOTES	
NOTES	
1. PANEL DIMENSIONS: 500x500x210mm	
2. PANEL MATERIAL: SS316L STAINLESS STEEL	
3. PANEL COLOR: RAL7035 (GRAY)	
4. PANEL WILL BE RIGHT HINGED	
5. AREA CLASSIFICATION: Ex II 3G IIC T3 Eex'e'	
6. AMBIENT TEMPERATURE: 5°C/+48°C	
7. INGRESS PROTECTION: IP65	
8. CABLE RACEWAYS SHALL HAVE NO LESS THAN 20% SPARE CAPACITY.	
9. DIN RAIL TYPE: NS35	
10. BLUE SLOTTED CABLE TRUNKING WILL BE PROVIDED FOR INTRINSICALLY SAFE SIGNALS.	
11. SPARES WILL BE PLUGGED WITH SUS Ex PLUG	
12. GLANDS WILL BE Ex'd IP65 NICKEL PLATED BRASS TYPE GLANDS	

REFERENCE DRAWINGS	DWG.No.
xxxx	xxxx

LEGEND

RESULT CODE:	<input type="checkbox"/> AP	<input type="checkbox"/> AN	<input type="checkbox"/> CO	<input type="checkbox"/> RE	RESUBMISSION DATE:
--------------	-----------------------------	-----------------------------	-----------------------------	-----------------------------	--------------------

NEXT STATUS:	<input type="checkbox"/> IFI	<input type="checkbox"/> IFA	<input type="checkbox"/> IAF	<input type="checkbox"/> ASB/FIN
--------------	------------------------------	------------------------------	------------------------------	----------------------------------

Approval or review hereunder shall not be construed to relieve Vendor/ Subcontractor of his responsibilities and liability under the Contract.

P.O. NO.:	
M.R. NO.:	
ITEM NO. (EQUIPMENT NO.):	
VENDOR JOB NO.:	

REV.	DATE	PURPOSE OF ISSUE (P.O.I.)	PREP.	CHKD.	APPR.	AC.
01	25/Apr/25	ISSUE FOR APPROVAL	RT	RB	SC	-
00	24/Mar/25	ISSUED FOR APPROVAL	RT	RB	SC	-

OWNER:

PROJECT:
300 KT POLYETHYLENE PLANT
ARYA SASOL POLYMER COMPANY (ASPC)

MC:

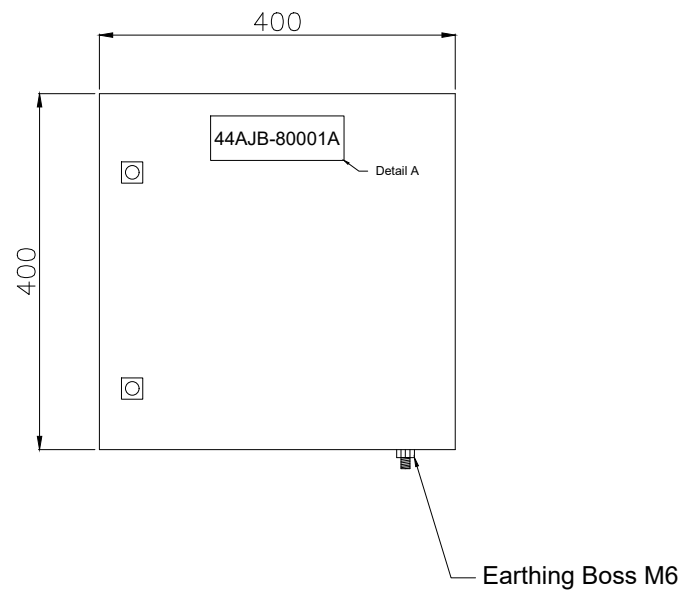
CONTRACTOR:

DRAWING TITLE:
PANEL LAYOUT DRAWING
LOCAL CONTROL PANEL 44LPS-80001A

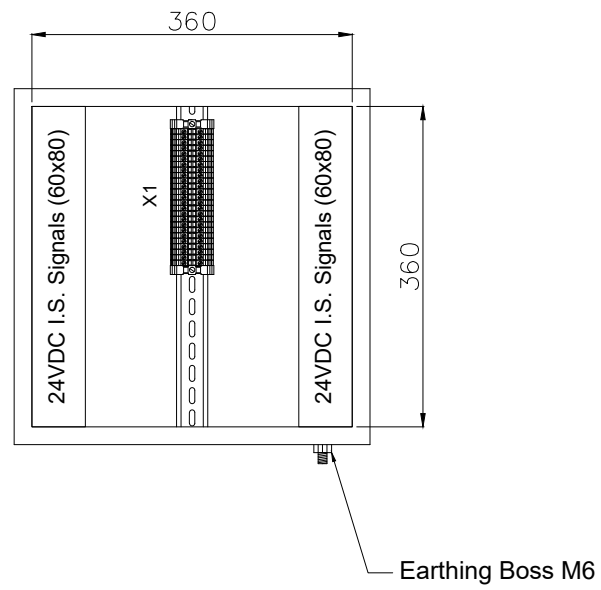
OWNER PROJECT NO.	VENDOR DWG.	MR NO.	VENDOR CODE	DISCIPLINE	UNIT	TYPE	SEQ.
3944	VD	0171	DYP	RE	400	DWG	0003
SCALE:	NONE	SIZE:	A0	SHEET NO.	8	OF 34	REV. 01

44AJB-80001A

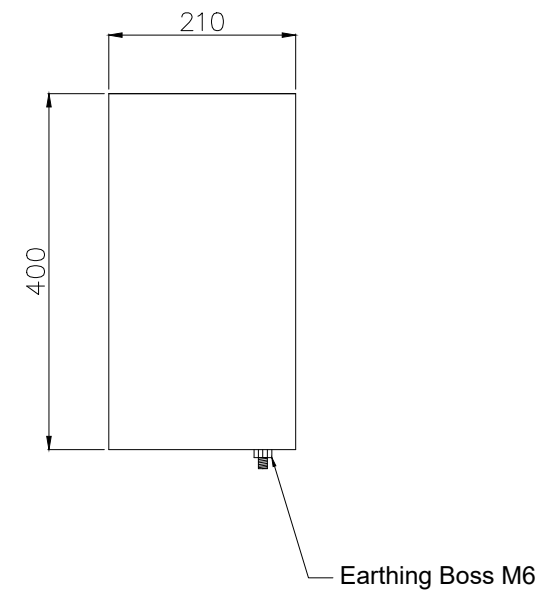
Front Side (Outside) View



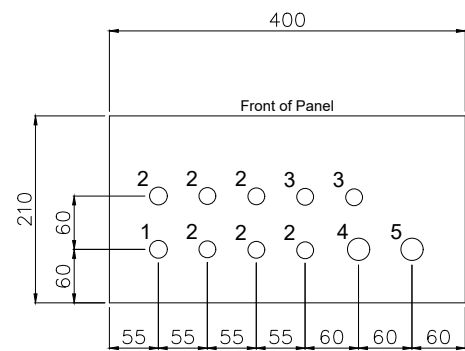
Front Side (Inside) View



Side (Outside) View



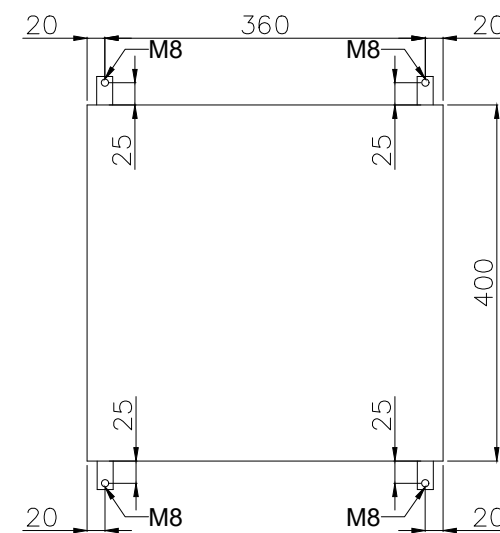
Bottom View



Gland Entry Details

1. M20 - 1x (Breather)
2. M20 - 6x (Cables from Transmitters)
3. M20 - 2x (Spare)
4. M25 - 1x (Multipair Cable from Customer)
5. M25 - 1x (Spare)

Back (Outside) View Mounting Details



GENERAL NOTES

- NOTES
1. PANEL DIMENSIONS: 400x400x210mm
 2. PANEL MATERIAL: SS316L STAINLESS STEEL
 3. PANEL COLOR: RAL5010 (BLUE)
 4. PANEL WILL BE RIGHT HINGED
 5. AREA CLASSIFICATION: Ex II 3G IIC T3 Eex'e'
 6. AMBIENT TEMPERATURE: 5°C/+48°C
 7. INGRESS PROTECTION: IP65
 8. CABLE RACEWAYS SHALL HAVE NO LESS THAN 20% SPARE CAPACITY.
 9. DIN RAIL TYPE: NS35
 10. BLUE SLOTTED CABLE TRUNKING WILL BE PROVIDED FOR INTRINSICALLY SAFE SIGNALS.
 11. SPARES WILL BE PLUGGED WITH SUS Ex PLUG
 12. GLANDS WILL BE Ex'd IP65 NICKEL PLATED BRASS TYPE GLANDS

REFERENCE DRAWINGS	DWG.No.
xxxx	xxxx

LEGEND

RESULT CODE: AP AN CO RE RESUBMISSION DATE:

NEXT STATUS: IFI IFA IAF ASB/IFIN

Approval or review hereunder shall not be construed to relieve Vendor/ Subcontractor of his responsibilities and liability under the Contract.

P.O. NO.:

M.R. NO.:

ITEM NO. (EQUIPMENT NO.):

VENDRO JOB NO.:

REV.	DATE	PURPOSE OF ISSUE (P.O.I.)	PREP.	CHKD.	APPR.	AC.
01	25/Apr/25	ISSUE FOR APPROVAL	RT	RB	SC	-
00	24/Mar/25	ISSUED FOR APPROVAL	RT	RB	SC	-

OWNER:



PROJECT:

300 KT POLYETHYLENE PLANT
ARYA SASOL POLYMER COMPANY (ASPC)

MC:



CONTRACTOR:



VENDOR:



DRAWING TITLE:

PANEL LAYOUT DRAWING
LOCAL CONTROL PANEL 44AJB-80001A

OWNER PROJECT NO.	VENDOR DWG.	MR NO.	VENDOR CODE	DISCIPLINE	UNIT	TYPE	SEQ.
3944	VD	0171	DYP	RE	400	DWG	0003
SCALE: NONE	SIZE: A0	SHEET NO. 9 OF 34	REV. 01				


No.	Description	Tag Number	Make	Model	Qty.
1	Ready Indication Lamp (Green)	3H4	Bartec	07-3351-1420	1
2	Running Indication Lamp (Green)	3H6	Bartec	07-3351-1420	1
3	Alarm Indication Lamp (Amber)	3H8	Bartec	07-3351-1430	1
4	Trip Lamp (Red)	3H10	Bartec	07-3351-1410	1
5	Start Pushbutton (Green)	2S4	Bartec	07-3353-400	1
6	Stop Pushbutton (Red)	2S6	Bartec	07-3353-400	1
7	Lamp Test Pushbutton (Black)	2S8	Bartec	07-3353-400	1
8	Selector Switch (Local/Off/Remote)	2S10	Bartec	05-0003-001000	1
9	Emergency Shutdown Pushbutton with Protective Cover	4S4	Bartec	05-0003-00 0800	1
Terminal Strip Definition					
X1	Connection Pushbuttons	X1	Phoenix Contact	3044102	16
X2	Connection Lamps	X2	Phoenix Contact	3211760	16
X9	Connection ESD Pushbutton	X9	Phoenix Contact	3044102	16

GENERAL NOTES	
NOTES 1. BILL OF MATERIALS (BOM) AS PER THE LATEST WIRING DIAGRAM.	
REFERENCE DRAWINGS	DWG.No.
xxxx	xxxx

LEGEND	



RESULT CODE:	<input type="checkbox"/> AP	<input type="checkbox"/> AN	<input type="checkbox"/> CO	<input type="checkbox"/> RE	RESUBMISSION DATE:	
NEXT STATUS:	<input type="checkbox"/> IFI	<input type="checkbox"/> IFA	<input type="checkbox"/> AFC	<input type="checkbox"/> ASB/IFIN		
Approval or review hereunder shall not be construed to relieve Vendor/ Subcontractor of his responsibilities and liability under the Contract.						
P.O. NO.:						
M.R. NO.:						
ITEM NO. (EQUIPMENT NO.):						
VENDRO JOB NO.:						
REV.	DATE	PURPOSE OF ISSUE (P.O.I.)	PREP.	CHKD.	APPR.	AC.
01	25/Apr/25	ISSUE FOR APPROVAL	RT	RB	SC	-
00	24/Mar/25	ISSUED FOR APPROVAL	RT	RB	SC	-

OWNER:





PROJECT:
300 KT POLYETHYLENE PLANT
ARYA SASOL POLYMER COMPANY (ASPC)


MC:

CONTRACTOR:

VENDOR:



DRAWING TITLE:
PANEL LAYOUT DRAWING
BILL OF MATERIALS FOR
LOCAL CONTROL PANEL 44LPS-80001B
OWNER DOC. NO.

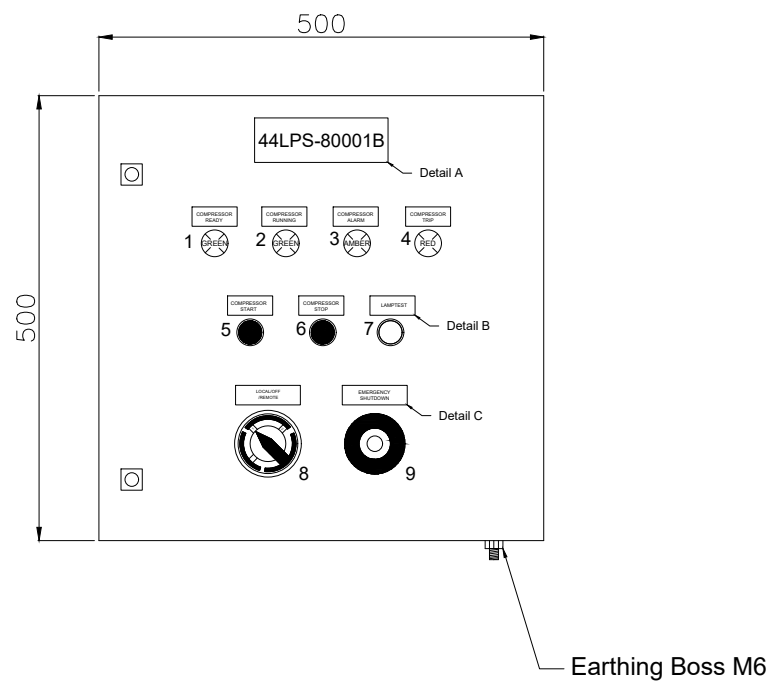
OWNER PROJECT NO.	VENDOR DWG.	MR NO.	VENDOR CODE	DISCIPLINE	UNIT	TYPE	SEQ.
3944	VD	0171	DYP	RE	400	DWG	0003

SCALE: NONE SIZE: A0 SHEET NO. 10 OF 34 REV. 01

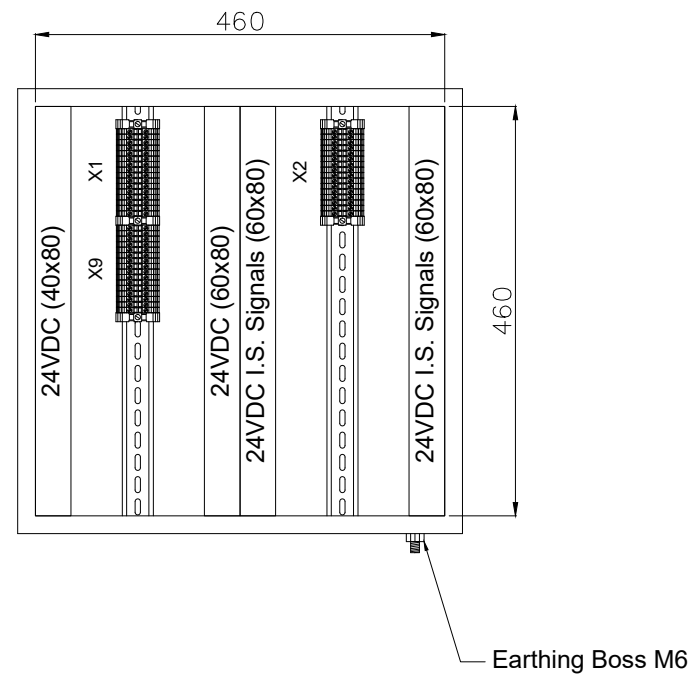
THIS DOCUMENT WITH ALL ITS RIGHTS IS THE PROPERTY OF A.S.P.C. AND MUST BE KEPT IN CONFIDENCE. NO DISCLOSURE, REPRODUCTION OR OTHER USE OF THE DOCUMENT IN WHOLE OR A PORTIONS TO BE MADE WITHOUT THE PRIOR CONSENT OF A.S.P.C.

44LPS-80001B

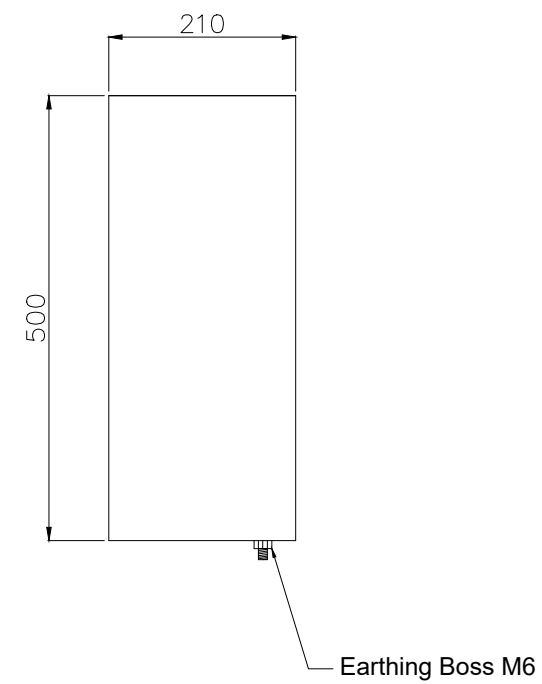
Front Side (Outside) View



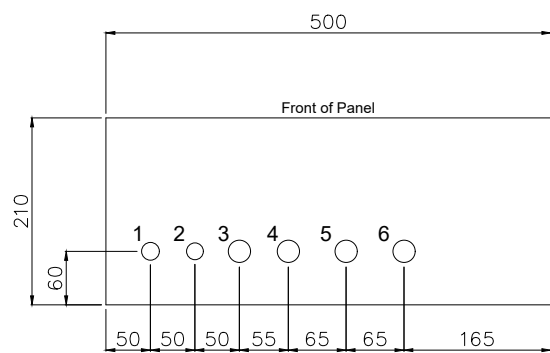
Front Side (Inside) View



Side (Outside) View



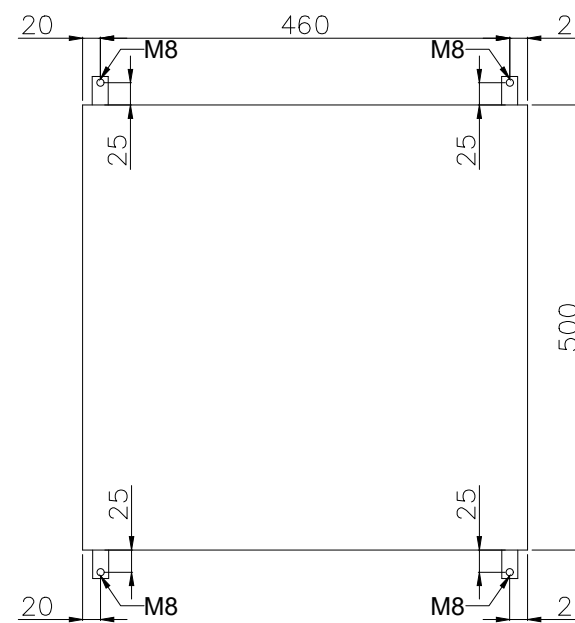
Bottom View



Gland Entry Details

1. M20 - 1x (Breather)
2. M20 - 1x (Spare)
3. M25 - 1x (Cable for Lamps)
4. M25 - 1x (Cable for Pushbuttons)
5. M25 - 1x (Cable for ESD Pushbutton)
6. M25 - 1x (Spare)

Back (Outside) View Mounting Details



GENERAL NOTES

- NOTES
1. PANEL DIMENSIONS: 500x500x210mm
 2. PANEL MATERIAL: SS316L STAINLESS STEEL
 3. PANEL COLOR: RAL7035 (GRAY)
 4. PANEL WILL BE RIGHT HINGED
 5. AREA CLASSIFICATION: Ex II 3G IIC T3 Eex'e'
 6. AMBIENT TEMPERATURE: 5°C/+48°C
 7. INGRESS PROTECTION: IP65
 8. CABLE RACEWAYS SHALL HAVE NO LESS THAN 20% SPARE CAPACITY.
 9. DIN RAIL TYPE: NS35
 10. BLUE SLOTTED CABLE TRUNKING WILL BE PROVIDED FOR INTRINSICALLY SAFE SIGNALS.
 11. SPARES WILL BE PLUGGED WITH SUS Ex PLUG
 12. GLANDS WILL BE Ex'd IP65 NICKEL PLATED BRASS TYPE GLANDS

REFERENCE DRAWINGS	DWG.No.
xxxx	xxxx

LEGEND

RESULT CODE: AP AN CO RE RESUBMISSION DATE:

NEXT STATUS: IFI IFA IFC ASB/FIN

Approval or review hereunder shall not be construed to relieve Vendor/ Subcontractor of his responsibilities and liability under the Contract.

P.O. NO.:

M.R. NO.:

ITEM NO. (EQUIPMENT NO.):

VENDOR JOB NO.:

REV.	DATE	PURPOSE OF ISSUE (P.O.I.)	PREP.	CHKD.	APPR.	AC.
01	25/Apr/25	ISSUE FOR APPROVAL	RT	RB	SC	-
00	24/Mar/25	ISSUED FOR APPROVAL	RT	RB	SC	-

OWNER:



PROJECT:

300 KT POLYETHYLENE PLANT
ARYA SASOL POLYMER COMPANY (ASPC)

MC:



CONTRACTOR:



VENDOR:



DRAWING TITLE:

PANEL LAYOUT DRAWING
LOCAL CONTROL PANEL 44LPS-80001B

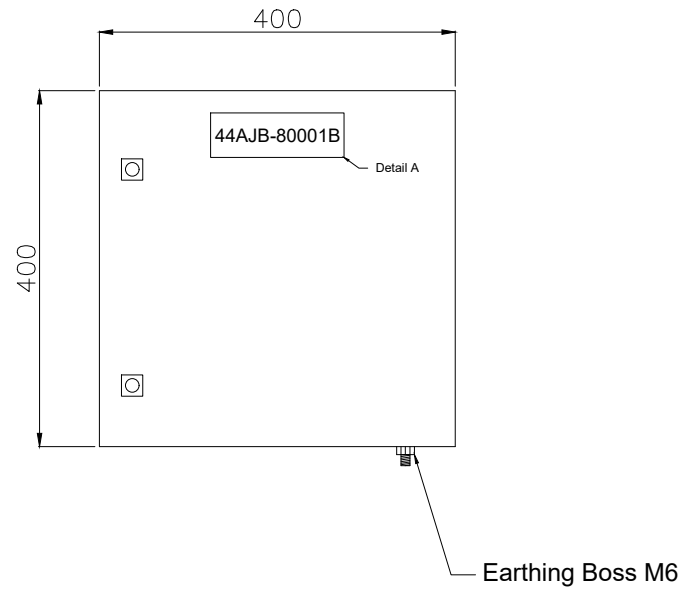
OWNER DOC. NO.

OWNER PROJECT NO.	VENDOR DWG.	MR NO.	VENDOR CODE	DISCIPLINE	UNIT	TYPE	SEQ.
3944	VD	0171	DYP	RE	400	DWG	0003

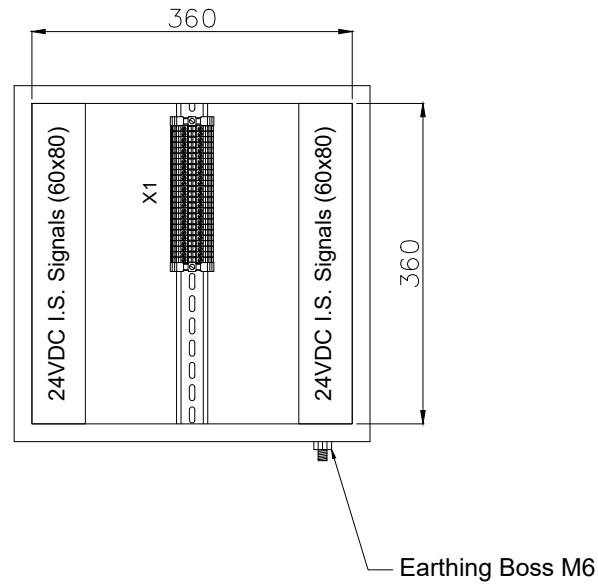
SCALE: NONE SIZE: A0 SHEET NO. 11 OF 34 REV. 01

44AJB-80001B

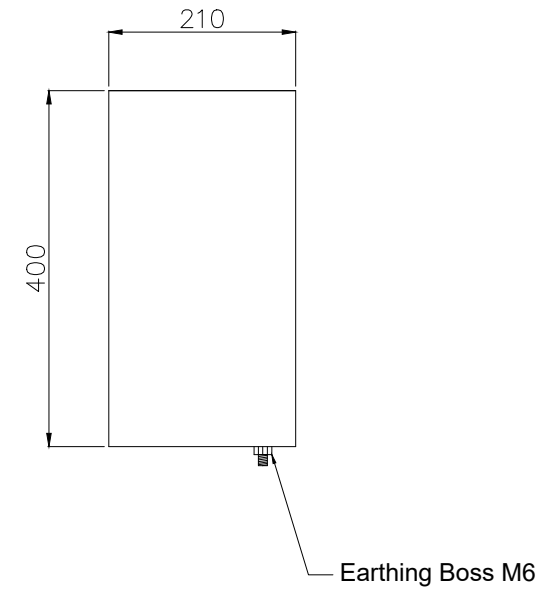
Front Side (Outside) View



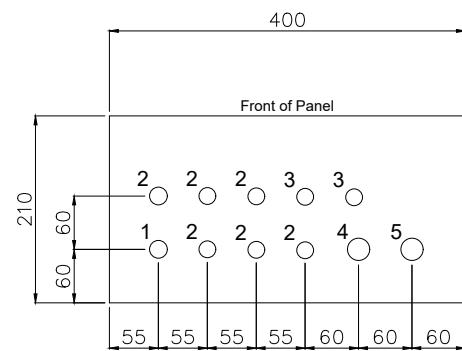
Front Side (Inside) View



Side (Outside) View



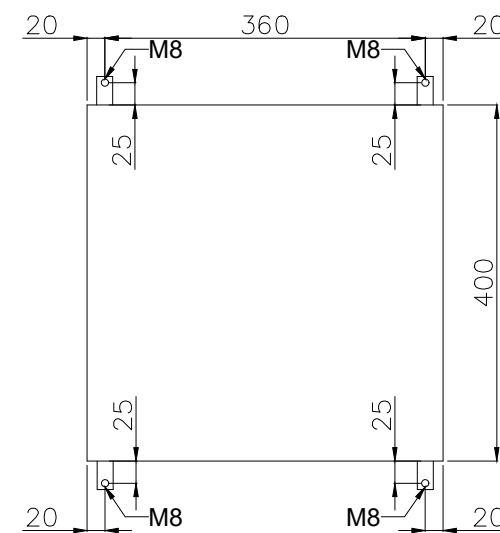
Bottom View



Gland Entry Details

1. M20 - 1x (Breather)
2. M20 - 6x (Cables from Transmitters)
3. M20 - 2x (Spare)
4. M25 - 1x (Multipair Cable from Customer)
5. M25 - 1x (Spare)

Back (Outside) View Mounting Details



GENERAL NOTES

- NOTES
1. PANEL DIMENSIONS: 400x400x210mm
 2. PANEL MATERIAL: SS316L STAINLESS STEEL
 3. PANEL COLOR: RAL5010 (BLUE)
 4. PANEL WILL BE RIGHT HINGED
 5. AREA CLASSIFICATION: Ex II 3G IIC T3 Eex'e'
 6. AMBIENT TEMPERATURE: 5°C/+48°C
 7. INGRESS PROTECTION: IP65
 8. CABLE RACEWAYS SHALL HAVE NO LESS THAN 20% SPARE CAPACITY.
 9. DIN RAIL TYPE: NS35
 10. BLUE SLOTTED CABLE TRUNKING WILL BE PROVIDED FOR INTRINSICALLY SAFE SIGNALS.
 11. SPARES WILL BE PLUGGED WITH SUS Ex PLUG
 12. GLANDS WILL BE Ex'd IP65 NICKEL PLATED BRASS TYPE GLANDS

REFERENCE DRAWINGS	DWG.No.
xxxx	xxxx

LEGEND

RESULT CODE: AP AN CO RE RESUBMISSION DATE:

NEXT STATUS: IFI IFA IAF ASB/IFIN

Approval or review hereunder shall not be construed to relieve Vendor/ Subcontractor of his responsibilities and liability under the Contract.

P.O. NO.:

M.R. NO.:

ITEM NO. (EQUIPMENT NO.):

VENDRO JOB NO.:

REV.	DATE	PURPOSE OF ISSUE (P.O.I.)	PREP.	CHKD.	APPR.	AC.
01	25/Apr/25	ISSUE FOR APPROVAL	RT	RB	SC	-
00	24/Mar/25	ISSUED FOR APPROVAL	RT	RB	SC	-

OWNER:



PROJECT:
300 KT POLYETHYLENE PLANT
ARYA SASOL POLYMER COMPANY (ASPC)

MC:

CONTRACTOR: VENDOR:

DRAWING TITLE:
PANEL LAYOUT DRAWING
LOCAL CONTROL PANEL 44AJB-80001B

OWNER PROJECT NO.	VENDOR DWG.	MR NO.	VENDOR CODE	DISCIPLINE	UNIT	TYPE	SEQ.
3944	VD	0171	DYP	RE	400	DWG	0003
SCALE: NONE	SIZE: A0	SHEET NO. 12 OF 34	REV. 01				


No.	Description	Tag Number	Make	Model	Qty.
1	Ready Indication Lamp (Green)	3H4	Bartec	07-3351-1420	1
2	Running Indication Lamp (Green)	3H6	Bartec	07-3351-1420	1
3	Alarm Indication Lamp (Amber)	3H8	Bartec	07-3351-1430	1
4	Trip Lamp (Red)	3H10	Bartec	07-3351-1410	1
5	Start Pushbutton (Green)	2S4	Bartec	07-3353-400	1
6	Stop Pushbutton (Red)	2S6	Bartec	07-3353-400	1
7	Lamp Test Pushbutton (Black)	2S8	Bartec	07-3353-400	1
8	Selector Switch (Local/Off/Remote)	2S10	Bartec	05-0003-001000	1
9	Emergency Shutdown Pushbutton with Protective Cover	4S4	Bartec	05-0003-00 0800	1
Terminal Strip Definition					
X1	Connection Pushbuttons	X1	Phoenix Contact	3044102	16
X2	Connection Lamps	X2	Phoenix Contact	3211760	16
X9	Connection ESD Pushbutton	X9	Phoenix Contact	3044102	16

GENERAL NOTES	
NOTES 1. BILL OF MATERIALS (BOM) AS PER THE LATEST WIRING DIAGRAM.	
REFERENCE DRAWINGS	DWG.No.
xxxx	xxxx

LEGEND	



RESULT CODE:	<input type="checkbox"/> AP	<input type="checkbox"/> AN	<input type="checkbox"/> CO	<input type="checkbox"/> RE	RESUBMISSION DATE:
NEXT STATUS:	<input type="checkbox"/> IFI	<input type="checkbox"/> IFA	<input type="checkbox"/> AFC	<input type="checkbox"/> ASB/IFIN	
Approval or review hereunder shall not be construed to relieve Vendor/ Subcontractor of his responsibilities and liability under the Contract.					
P.O. NO.:					
M.R. NO.:					
ITEM NO. (EQUIPMENT NO.):					
VENDRO JOB NO.:					
01 25/Apr/25	ISSUE FOR APPROVAL	RT	RB	SC	-
00 24/Mar/25	ISSUED FOR APPROVAL	RT	RB	SC	-
REV.	DATE	PURPOSE OF ISSUE (P.O.I.)	PREP.	CHKD.	APPR.

OWNER:





PROJECT:
300 KT POLYETHYLENE PLANT
ARYA SASOL POLYMER COMPANY (ASPC)


MC:

CONTRACTOR:

VENDOR:

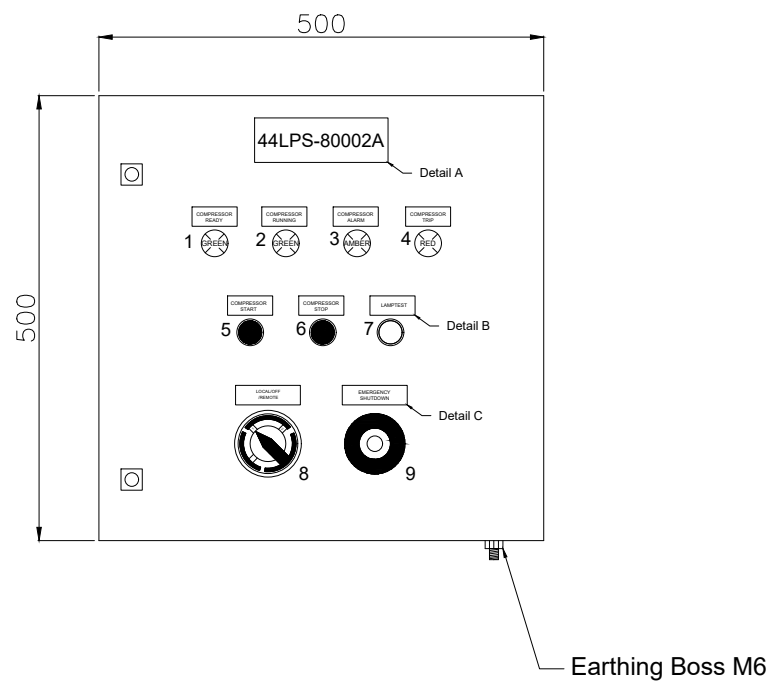


DRAWING TITLE:
PANEL LAYOUT DRAWING
BILL OF MATERIALS FOR
LOCAL CONTROL PANEL 44LPS-80002A
OWNER DOC. NO.

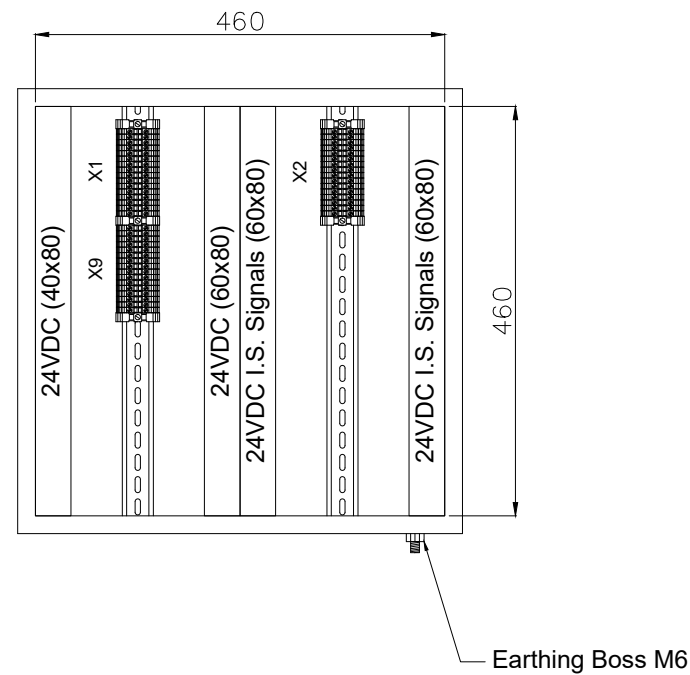
OWNER PROJECT NO.	VENDOR DWG.	MR NO.	VENDOR CODE	DISCIPLINE	UNIT	TYPE	SEQ.
3944	VD	0171	DYP	RE	400	DWG	0003
SCALE:	NONE	SIZE:	A0	SHEET NO.	13 OF 34	REV.	01

44LPS-80002A

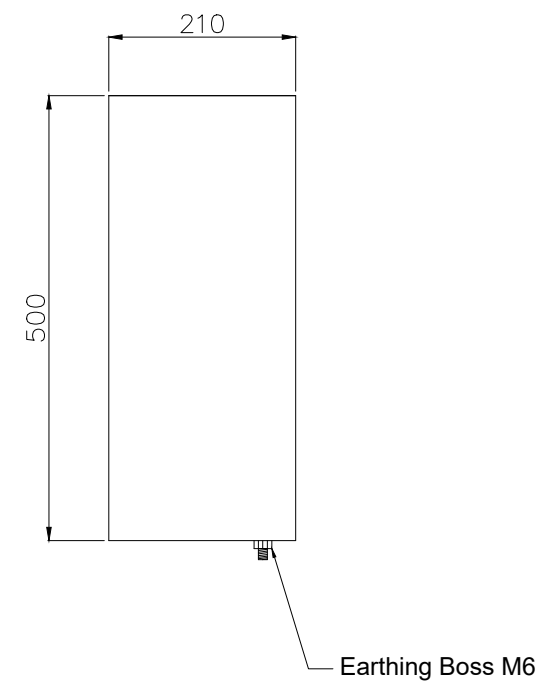
Front Side (Outside) View



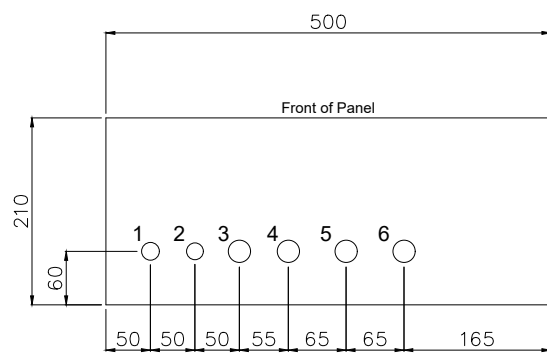
Front Side (Inside) View



Side (Outside) View



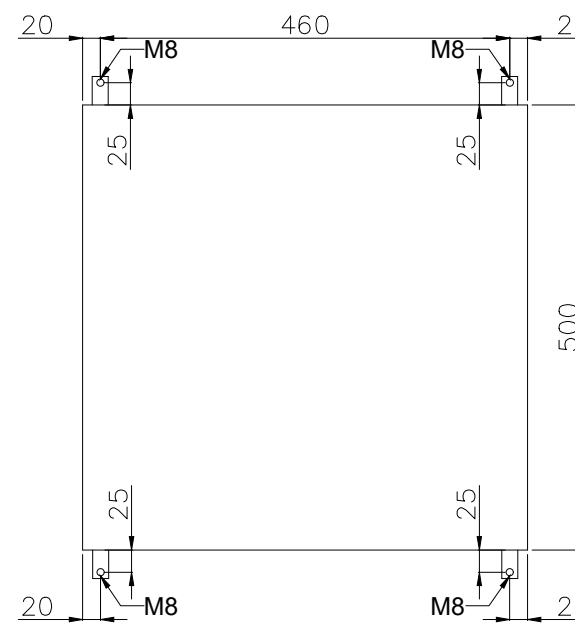
Bottom View



Gland Entry Details

1. M20 - 1x (Breather)
2. M20 - 1x (Spare)
3. M25 - 1x (Cable for Lamps)
4. M25 - 1x (Cable for Pushbuttons)
5. M25 - 1x (Cable for ESD Pushbutton)
6. M25 - 1x (Spare)

Back (Outside) View Mounting Details



GENERAL NOTES

- NOTES
1. PANEL DIMENSIONS: 500x500x210mm
 2. PANEL MATERIAL: SS316L STAINLESS STEEL
 3. PANEL COLOR: RAL7035 (GRAY)
 4. PANEL WILL BE RIGHT HINGED
 5. AREA CLASSIFICATION: Ex II 3G IIC T3 Eex'e'
 6. AMBIENT TEMPERATURE: 5°C/+48°C
 7. INGRESS PROTECTION: IP65
 8. CABLE RACEWAYS SHALL HAVE NO LESS THAN 20% SPARE CAPACITY.
 9. DIN RAIL TYPE: NS35
 10. BLUE SLOTTED CABLE TRUNKING WILL BE PROVIDED FOR INTRINSICALLY SAFE SIGNALS.
 11. SPARES WILL BE PLUGGED WITH SUS Ex PLUG
 12. GLANDS WILL BE Ex'd IP65 NICKEL PLATED BRASS TYPE GLANDS

REFERENCE DRAWINGS	DWG.No.
xxxx	xxxx

LEGEND

RESULT CODE: AP AN CO RE RESUBMISSION DATE:

NEXT STATUS: IFI IFA IFC ASB/FIN

Approval or review hereunder shall not be construed to relieve Vendor/ Subcontractor of his responsibilities and liability under the Contract.

P.O. NO.:

M.R. NO.:

ITEM NO. (EQUIPMENT NO.):

VENDOR JOB NO.:

REV.	DATE	PURPOSE OF ISSUE (P.O.I.)	PREP.	CHKD.	APPR.	AC.
01	25/Apr/25	ISSUE FOR APPROVAL	RT	RB	SC	-
00	24/Mar/25	ISSUED FOR APPROVAL	RT	RB	SC	-

OWNER:



PROJECT:
300 KT POLYETHYLENE PLANT
ARYA SASOL POLYMER COMPANY (ASPC)

MC:
ISEDCO
گروه صنعتی پتروشیمی

CONTRACTOR: SAZEH CONSULTANTS
VENDOR: DYPNF

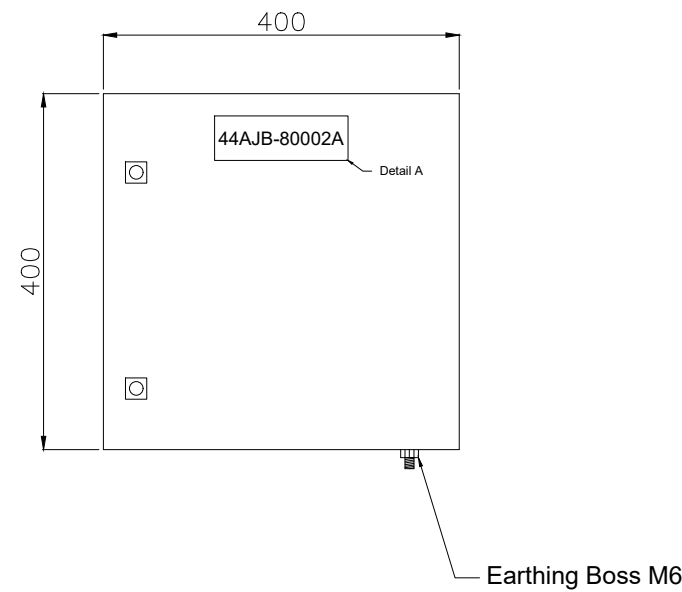
DRAWING TITLE:
PANEL LAYOUT DRAWING
LOCAL CONTROL PANEL 44LPS-80002A

OWNER PROJECT NO.	VENDOR DWG.	MR NO.	VENDOR CODE	DISCIPLINE	UNIT	TYPE	SEQ.
3944	VD	0171	DYP	RE	400	DWG	0003

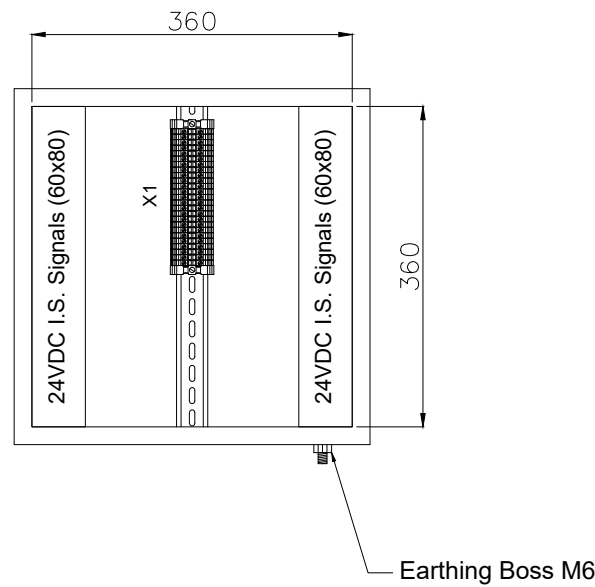
SCALE: NONE SIZE: A0 SHEET NO. 14 OF 34 REV. 01

44AJB-80002A

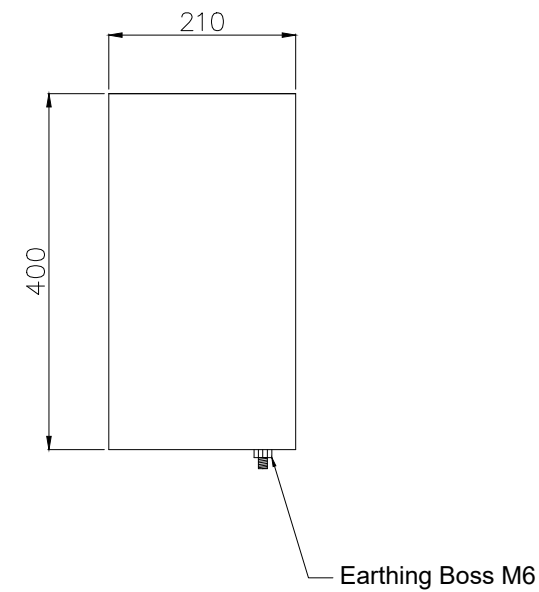
Front Side (Outside) View



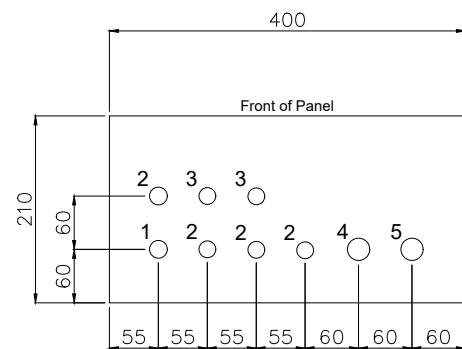
Front Side (Inside) View



Side (Outside) View



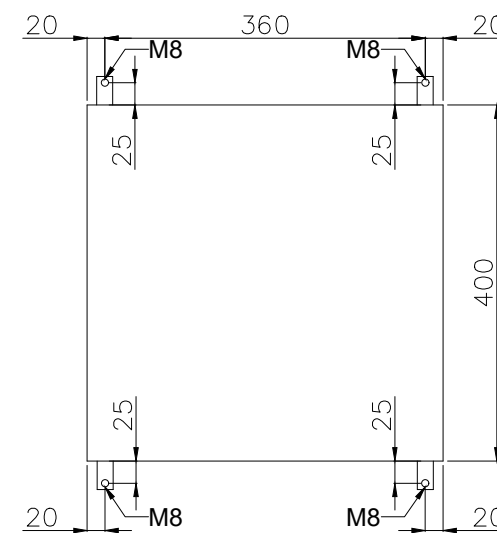
Bottom View



Gland Entry Details

1. M20 - 1x (Breather)
2. M20 - 4x (Cables from Transmitters)
3. M20 - 2x (Spare)
4. M25 - 1x (Multipair Cable from Customer)
5. M25 - 1x (Spare)

Back (Outside) View Mounting Details



GENERAL NOTES

- NOTES
1. PANEL DIMENSIONS: 400x400x210mm
 2. PANEL MATERIAL: SS316L STAINLESS STEEL
 3. PANEL COLOR: RAL5010 (BLUE)
 4. PANEL WILL BE RIGHT HINGED
 5. AREA CLASSIFICATION: Ex II 3G IIC T3 Eex'e'
 6. AMBIENT TEMPERATURE: 5°C/+48°C
 7. INGRESS PROTECTION: IP65
 8. CABLE RACEWAYS SHALL HAVE NO LESS THAN 20% SPARE CAPACITY.
 9. DIN RAIL TYPE: NS35
 10. BLUE SLOTTED CABLE TRUNKING WILL BE PROVIDED FOR INTRINSICALLY SAFE SIGNALS.
 11. SPARES WILL BE PLUGGED WITH SUS Ex PLUG
 12. GLANDS WILL BE Ex'd IP65 NICKEL PLATED BRASS TYPE GLANDS

REFERENCE DRAWINGS	DWG.No.
xxxx	xxxx

LEGEND

RESULT CODE: AP AN CO RE RESUBMISSION DATE:

NEXT STATUS: IFI IFA IAF ASB/IFIN

Approval or review hereunder shall not be construed to relieve Vendor/ Subcontractor of his responsibilities and liability under the Contract.

P.O. NO.:

M.R. NO.:

ITEM NO. (EQUIPMENT NO.):

VENDRO JOB NO.:

REV.	DATE	PURPOSE OF ISSUE (P.O.I.)	PREP.	CHKD.	APPR.	AC.
01	25/Apr/25	ISSUE FOR APPROVAL	RT	RB	SC	-
00	24/Mar/25	ISSUED FOR APPROVAL	RT	RB	SC	-

OWNER:



PROJECT:
300 KT POLYETHYLENE PLANT
ARYA SASOL POLYMER COMPANY (ASPC)

MC:

CONTRACTOR:

VENDOR:

DRAWING TITLE:
PANEL LAYOUT DRAWING
LOCAL CONTROL PANEL 44AJB-80002A

OWNER PROJECT NO.	VENDOR DWG.	MR NO.	VENDOR CODE	DISCIPLINE	UNIT	TYPE	SEQ.
3944	VD	0171	DYP	RE	400	DWG	0003

SCALE: NONE SIZE: A0 SHEET NO. 15 OF 34 REV. 01


No.	Description	Tag Number	Make	Model	Qty.
1	Ready Indication Lamp (Green)	3H4	Bartec	07-3351-1420	1
2	Running Indication Lamp (Green)	3H6	Bartec	07-3351-1420	1
3	Alarm Indication Lamp (Amber)	3H8	Bartec	07-3351-1430	1
4	Trip Lamp (Red)	3H10	Bartec	07-3351-1410	1
5	Start Pushbutton (Green)	2S4	Bartec	07-3353-400	1
6	Stop Pushbutton (Red)	2S6	Bartec	07-3353-400	1
7	Lamp Test Pushbutton (Black)	2S8	Bartec	07-3353-400	1
8	Selector Switch (Local/Off/Remote)	2S10	Bartec	05-0003-001000	1
9	Emergency Shutdown Pushbutton with Protective Cover	4S4	Bartec	05-0003-00 0800	1
Terminal Strip Definition					
X1	Connection Pushbuttons	X1	Phoenix Contact	3044102	16
X2	Connection Lamps	X2	Phoenix Contact	3211760	16
X9	Connection ESD Pushbutton	X9	Phoenix Contact	3044102	16

GENERAL NOTES	
NOTES 1. BILL OF MATERIALS (BOM) AS PER THE LATEST WIRING DIAGRAM.	
REFERENCE DRAWINGS	DWG.No.
xxxx	xxxx

LEGEND	



RESULT CODE:	<input type="checkbox"/> AP	<input type="checkbox"/> AN	<input type="checkbox"/> CO	<input type="checkbox"/> RE	RESUBMISSION DATE:
NEXT STATUS:	<input type="checkbox"/> IFI	<input type="checkbox"/> IFA	<input type="checkbox"/> AFC	<input type="checkbox"/> ASB/IFIN	
Approval or review hereunder shall not be construed to relieve Vendor/ Subcontractor of his responsibilities and liability under the Contract.					
P.O. NO.:					
M.R. NO.:					
ITEM NO. (EQUIPMENT NO.):					
VENDRO JOB NO.:					
01 25/Apr/25	ISSUE FOR APPROVAL	RT	RB	SC	-
00 24/Mar/25	ISSUED FOR APPROVAL	RT	RB	SC	-
REV.	DATE	PURPOSE OF ISSUE (P.O.I.)	PREP.	CHKD.	APPR.

OWNER:





PROJECT:
300 KT POLYETHYLENE PLANT
ARYA SASOL POLYMER COMPANY (ASPC)


MC:

CONTRACTOR:

VENDOR:

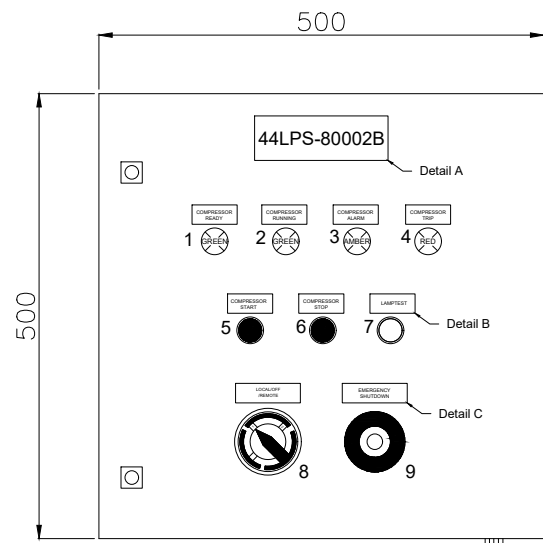


DRAWING TITLE:
PANEL LAYOUT DRAWING
BILL OF MATERIALS FOR
LOCAL CONTROL PANEL 44LPS-80002B
OWNER DOC. NO.

OWNER PROJECT NO.	VENDOR DWG.	MR NO.	VENDOR CODE	DISCIPLINE	UNIT	TYPE	SEQ.
3944	VD	0171	DYP	RE	400	DWG	0003
SCALE:	NONE	SIZE:	A0	SHEET NO.	16 OF 34	REV.	01

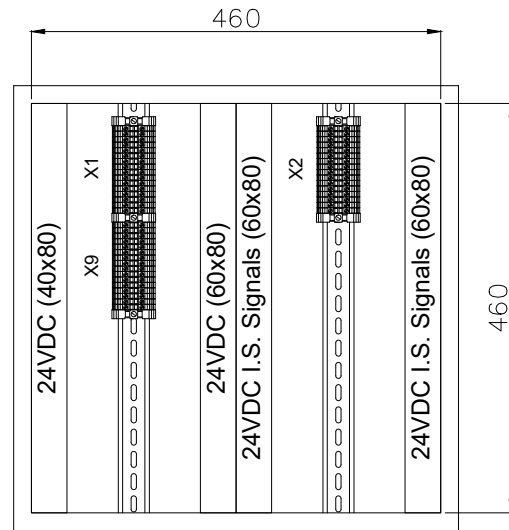
44LPS-80002B

Front Side (Outside) View



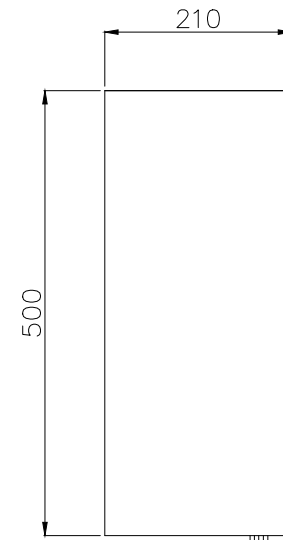
Earthing Boss M6

Front Side (Inside) View



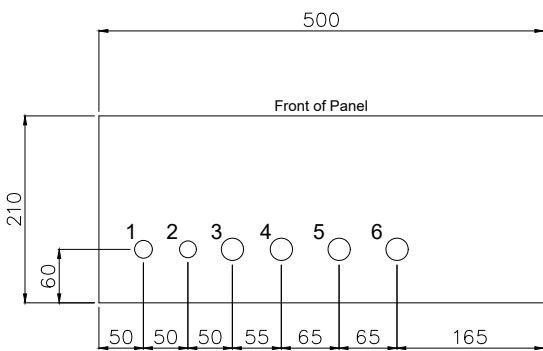
Earthing Boss M6

Side (Outside) View



Earthing Boss M6

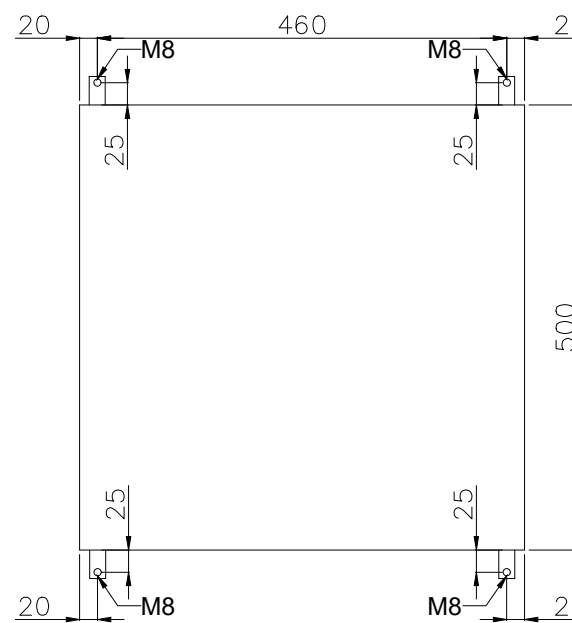
Bottom View



Gland Entry Details

1. M20 - 1x (Breather)
2. M20 - 1x (Spare)
3. M25 - 1x (Cable for Lamps)
4. M25 - 1x (Cable for Pushbuttons)
5. M25 - 1x (Cable for ESD Pushbutton)
6. M25 - 1x (Spare)

Back (Outside) View Mounting Details



GENERAL NOTES

- NOTES
1. PANEL DIMENSIONS: 500x500x210mm
 2. PANEL MATERIAL: SS316L STAINLESS STEEL
 3. PANEL COLOR: RAL7035 (GRAY)
 4. PANEL WILL BE RIGHT HINGED
 5. AREA CLASSIFICATION: Ex II 3G IIC T3 Eex'e'
 6. AMBIENT TEMPERATURE: 5°C/+48°C
 7. INGRESS PROTECTION: IP65
 8. CABLE RACEWAYS SHALL HAVE NO LESS THAN 20% SPARE CAPACITY.
 9. DIN RAIL TYPE: NS35
 10. BLUE SLOTTED CABLE TRUNKING WILL BE PROVIDED FOR INTRINSICALLY SAFE SIGNALS.
 11. SPARES WILL BE PLUGGED WITH SUS Ex PLUG
 12. GLANDS WILL BE Ex'd IP65 NICKEL PLATED BRASS TYPE GLANDS

REFERENCE DRAWINGS	DWG.No.
xxxx	xxxx

LEGEND

RESULT CODE: AP AN CO RE RESUBMISSION DATE:

NEXT STATUS: IFI IFA IFC ASB/FIN

Approval or review hereunder shall not be construed to relieve Vendor/ Subcontractor of his responsibilities and liability under the Contract.

P.O. NO.:

M.R. NO.:

ITEM NO. (EQUIPMENT NO.):

VENDOR JOB NO.:

REV.	DATE	PURPOSE OF ISSUE (P.O.I.)	PREP.	CHKD.	APPR.	AC.
01	25/Apr/25	ISSUE FOR APPROVAL	RT	RB	SC	-
00	24/Mar/25	ISSUED FOR APPROVAL	RT	RB	SC	-

OWNER:



PROJECT:

300 KT POLYETHYLENE PLANT
ARYA SASOL POLYMER COMPANY (ASPC)

MC:



CONTRACTOR:



DRAWING TITLE:

PANEL LAYOUT DRAWING
LOCAL CONTROL PANEL 44LPS-80002B

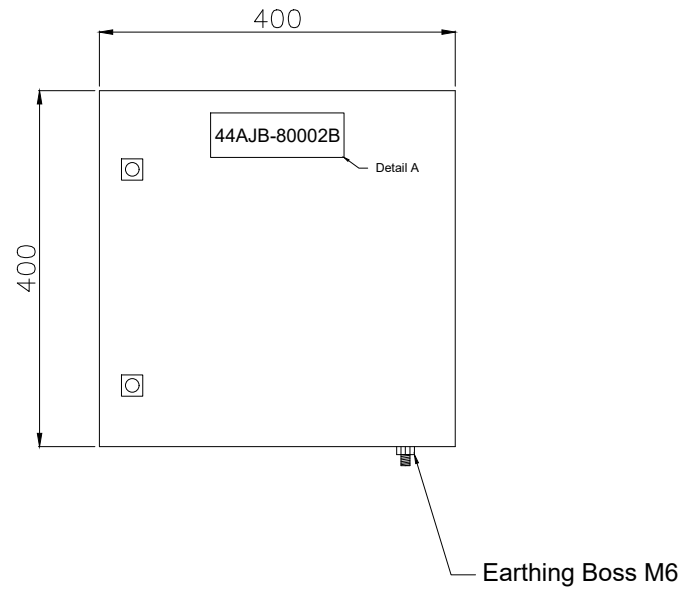
OWNER DOC. NO.

OWNER PROJECT NO.	VENDOR DWG.	MR NO.	VENDOR CODE	DISCIPLINE	UNIT	TYPE	SEQ.
3944	VD	0171	DYP	RE	400	DWG	0003

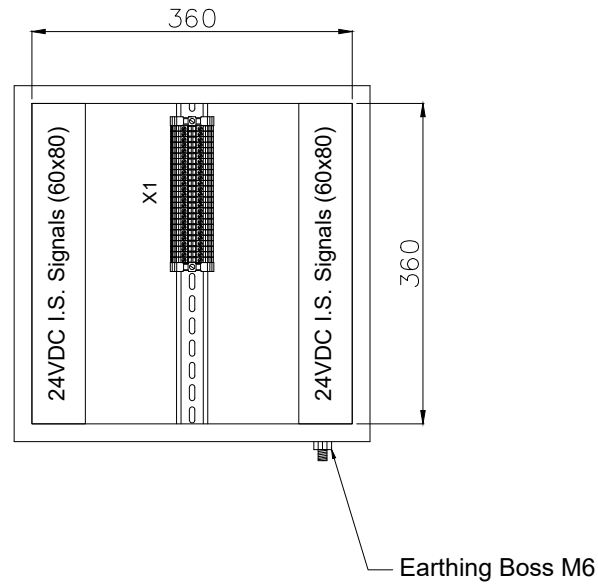
SCALE: NONE SIZE: A0 SHEET NO. 17 OF 34 REV. 01

44AJB-80002B

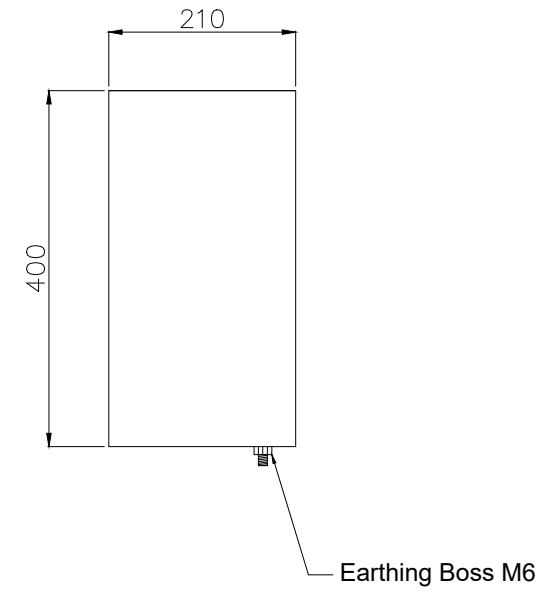
Front Side (Outside) View



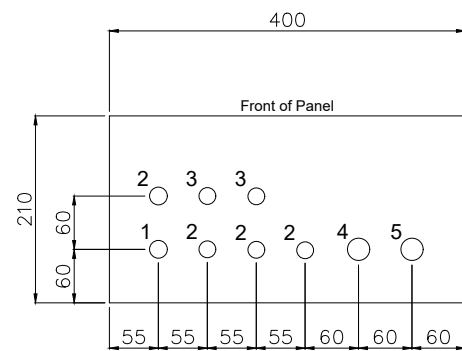
Front Side (Inside) View



Side (Outside) View



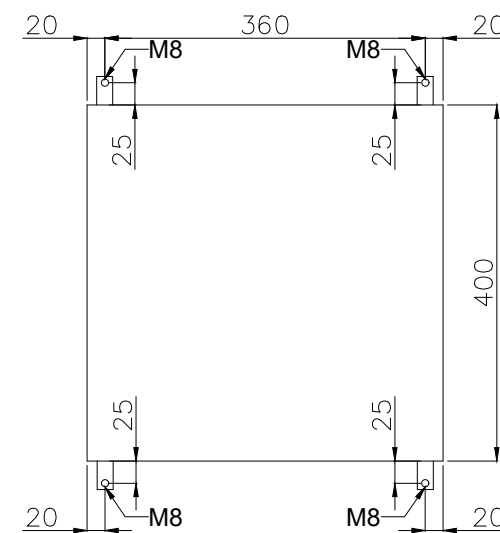
Bottom View



Gland Entry Details

1. M20 - 1x (Breather)
2. M20 - 4x (Cables from Transmitters)
3. M20 - 2x (Spare)
4. M25 - 1x (Multipair Cable from Customer)
5. M25 - 1x (Spare)

Back (Outside) View Mounting Details



GENERAL NOTES

- NOTES
1. PANEL DIMENSIONS: 400x400x210mm
 2. PANEL MATERIAL: SS316L STAINLESS STEEL
 3. PANEL COLOR: RAL5010 (BLUE)
 4. PANEL WILL BE RIGHT HINGED
 5. AREA CLASSIFICATION: Ex II 3G IIC T3 Eex'e'
 6. AMBIENT TEMPERATURE: 5°C/+48°C
 7. INGRESS PROTECTION: IP65
 8. CABLE RACEWAYS SHALL HAVE NO LESS THAN 20% SPARE CAPACITY.
 9. DIN RAIL TYPE: NS35
 10. BLUE SLOTTED CABLE TRUNKING WILL BE PROVIDED FOR INTRINSICALLY SAFE SIGNALS.
 11. SPARES WILL BE PLUGGED WITH SUS Ex PLUG
 12. GLANDS WILL BE Ex'd IP65 NICKEL PLATED BRASS TYPE GLANDS

REFERENCE DRAWINGS	DWG.No.
xxxx	xxxx

LEGEND

RESULT CODE: AP AN CO RE RESUBMISSION DATE:

NEXT STATUS: IFI IFA IAF ASB/IFIN

Approval or review hereunder shall not be construed to relieve Vendor/ Subcontractor of his responsibilities and liability under the Contract.

P.O. NO.:

M.R. NO.:

ITEM NO. (EQUIPMENT NO.):

VENDRO JOB NO.:

REV.	DATE	PURPOSE OF ISSUE (P.O.I.)	PREP.	CHKD.	APPR.	AC.
01	25/Apr/25	ISSUE FOR APPROVAL	RT	RB	SC	-
00	24/Mar/25	ISSUED FOR APPROVAL	RT	RB	SC	-

OWNER:



PROJECT:
300 KT POLYETHYLENE PLANT
ARYA SASOL POLYMER COMPANY (ASPC)

MC:

CONTRACTOR:

VENDOR:

DRAWING TITLE:
PANEL LAYOUT DRAWING
LOCAL CONTROL PANEL 44AJB-80002B

OWNER PROJECT NO.	VENDOR DWG.	MR NO.	VENDOR CODE	DISCIPLINE	UNIT	TYPE	SEQ.
3944	VD	0171	DYP	RE	400	DWG	0003

SCALE: NONE SIZE: A0 SHEET NO. 18 OF 34 REV. 01


No.	Description	Tag Number	Make	Model	Qty.
1	Ready Indication Lamp (Green)	3H4	Bartec	07-3351-1420	1
2	Running Indication Lamp (Green)	3H6	Bartec	07-3351-1420	1
3	Alarm Indication Lamp (Amber)	3H8	Bartec	07-3351-1430	1
4	Trip Lamp (Red)	3H10	Bartec	07-3351-1410	1
5	Start Pushbutton (Green)	2S4	Bartec	07-3353-400	1
6	Stop Pushbutton (Red)	2S6	Bartec	07-3353-400	1
7	Lamp Test Pushbutton (Black)	2S8	Bartec	07-3353-400	1
8	Selector Switch (Local/Off/Remote)	2S10	Bartec	05-0003-001000	1
9	Emergency Shutdown Pushbutton with Protective Cover	4S4	Bartec	05-0003-00 0800	1
Terminal Strip Definition					
X1	Connection Pushbuttons	X1	Phoenix Contact	3044102	16
X2	Connection Lamps	X2	Phoenix Contact	3211760	16
X9	Connection ESD Pushbutton	X9	Phoenix Contact	3044102	16

GENERAL NOTES	
NOTES 1. BILL OF MATERIALS (BOM) AS PER THE LATEST WIRING DIAGRAM.	
REFERENCE DRAWINGS	DWG.No.
xxxx	xxxx

LEGEND	



RESULT CODE:	<input type="checkbox"/> AP	<input type="checkbox"/> AN	<input type="checkbox"/> CO	<input type="checkbox"/> RE	RESUBMISSION DATE:	
NEXT STATUS:	<input type="checkbox"/> IFI	<input type="checkbox"/> IFA	<input type="checkbox"/> AFC	<input type="checkbox"/> ASB/IFIN		
Approval or review hereunder shall not be construed to relieve Vendor/ Subcontractor of his responsibilities and liability under the Contract.						
P.O. NO.:						
M.R. NO.:						
ITEM NO. (EQUIPMENT NO.):						
VENDRO JOB NO.:						
01 25/Apr/25	ISSUE FOR APPROVAL	RT	RB	SC	-	
00 24/Mar/25	ISSUED FOR APPROVAL	RT	RB	SC	-	
REV.	DATE	PURPOSE OF ISSUE (P.O.I.)	PREP.	CHKD.	APPR.	AC.

OWNER:





PROJECT:
300 KT POLYETHYLENE PLANT
ARYA SASOL POLYMER COMPANY (ASPC)


MC:

CONTRACTOR:

VENDOR:

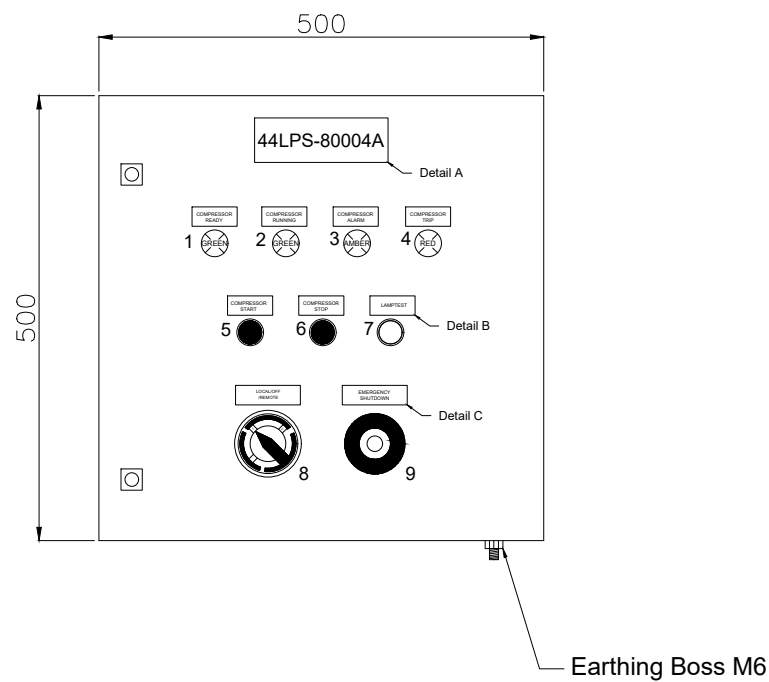


DRAWING TITLE:
PANEL LAYOUT DRAWING
BILL OF MATERIALS FOR
LOCAL CONTROL PANEL 44LPS-80004A
OWNER DOC. NO.

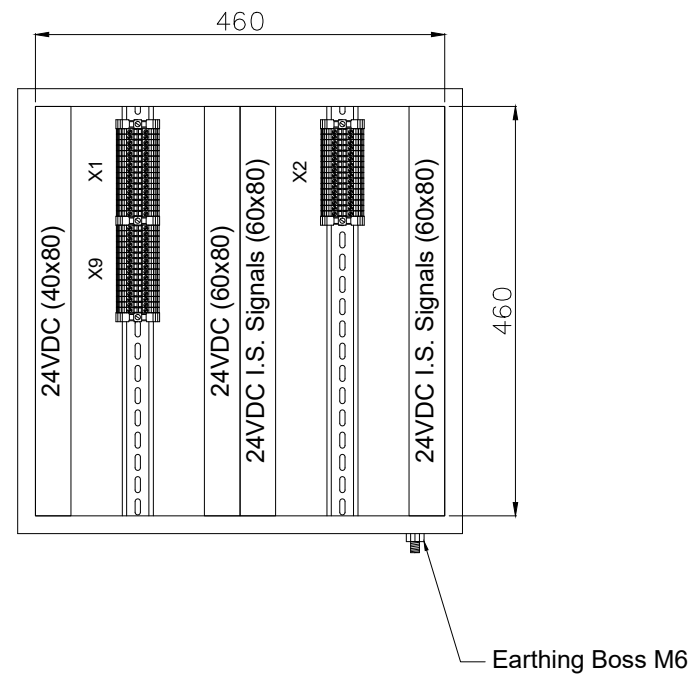
OWNER PROJECT NO.	VENDOR DWG.	MR NO.	VENDOR CODE	DISCIPLINE	UNIT	TYPE	SEQ.
3944	VD	0171	DYP	RE	400	DWG	0003
SCALE:	NONE	SIZE:	A0	SHEET NO.	19 OF 34	REV.	01

44LPS-80004A

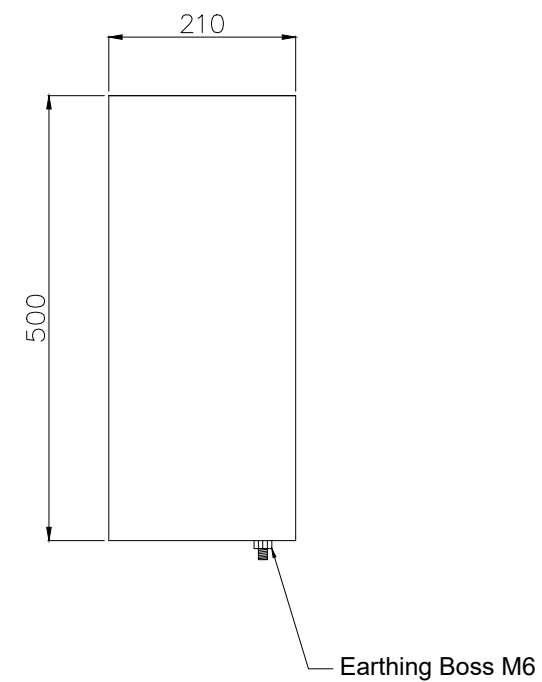
Front Side (Outside) View



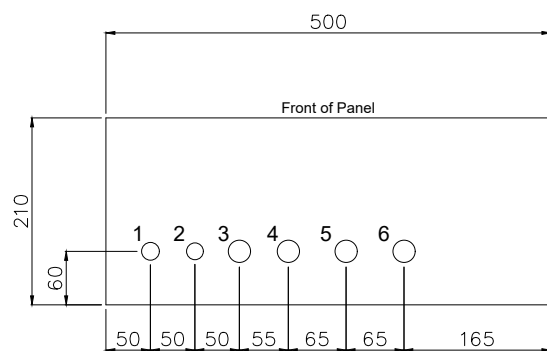
Front Side (Inside) View



Side (Outside) View



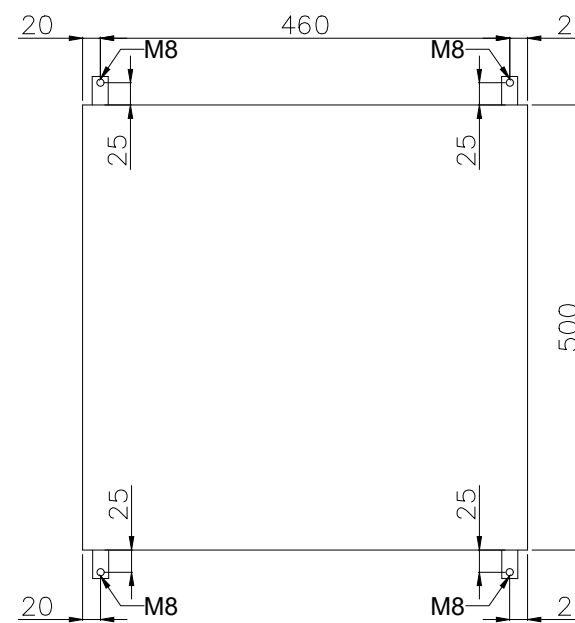
Bottom View



Gland Entry Details

1. M20 - 1x (Breather)
2. M20 - 1x (Spare)
3. M25 - 1x (Cable for Lamps)
4. M25 - 1x (Cable for Pushbuttons)
5. M25 - 1x (Cable for ESD Pushbutton)
6. M25 - 1x (Spare)

Back (Outside) View Mounting Details



GENERAL NOTES

- NOTES
1. PANEL DIMENSIONS: 500x500x210mm
 2. PANEL MATERIAL: SS316L STAINLESS STEEL
 3. PANEL COLOR: RAL7035 (GRAY)
 4. PANEL WILL BE RIGHT HINGED
 5. AREA CLASSIFICATION: Ex II 3G IIC T3 Eex'e'
 6. AMBIENT TEMPERATURE: 5°C/+48°C
 7. INGRESS PROTECTION: IP65
 8. CABLE RACEWAYS SHALL HAVE NO LESS THAN 20% SPARE CAPACITY.
 9. DIN RAIL TYPE: NS35
 10. BLUE SLOTTED CABLE TRUNKING WILL BE PROVIDED FOR INTRINSICALLY SAFE SIGNALS.
 11. SPARES WILL BE PLUGGED WITH SUS Ex PLUG
 12. GLANDS WILL BE Ex'd IP65 NICKEL PLATED BRASS TYPE GLANDS

REFERENCE DRAWINGS	DWG.No.
xxxx	xxxx

LEGEND

RESULT CODE: AP AN CO RE RESUBMISSION DATE:

NEXT STATUS: IFI IFA IFC ASB/FIN

Approval or review hereunder shall not be construed to relieve Vendor/ Subcontractor of his responsibilities and liability under the Contract.

P.O. NO.:

M.R. NO.:

ITEM NO. (EQUIPMENT NO.):

VENDOR JOB NO.:

REV.	DATE	PURPOSE OF ISSUE (P.O.I.)	PREP.	CHKD.	APPR.	AC.
01	25/Apr/25	ISSUE FOR APPROVAL	RT	RB	SC	-
00	24/Mar/25	ISSUED FOR APPROVAL	RT	RB	SC	-

OWNER:



PROJECT:

300 KT POLYETHYLENE PLANT
ARYA SASOL POLYMER COMPANY (ASPC)

MC:



CONTRACTOR:



DRAWING TITLE:

PANEL LAYOUT DRAWING
LOCAL CONTROL PANEL 44LPS-80004A

OWNER DOC. NO.

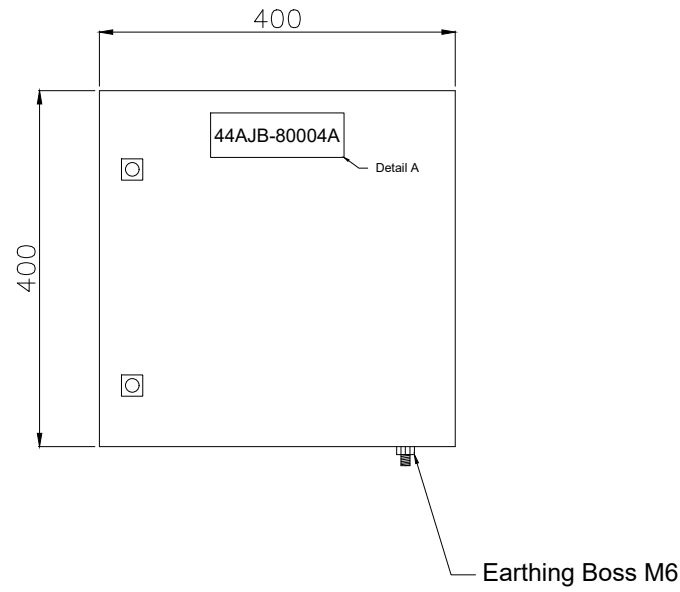
OWNER PROJECT NO. VENDOR DWG. MR NO. VENDOR CODE DISCIPLINE UNIT TYPE SEQ.

3944 VD 0171 DYP RE 400 DWG 0003

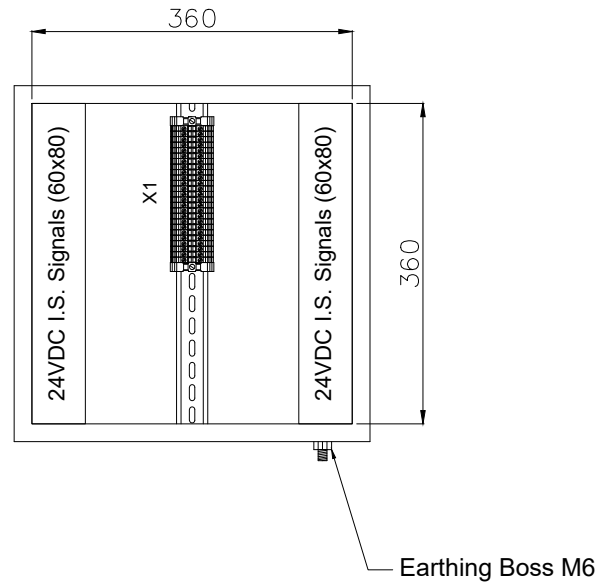
SCALE: NONE SIZE: A0 SHEET NO. 20 OF 34 REV. 01

44AJB-80004A

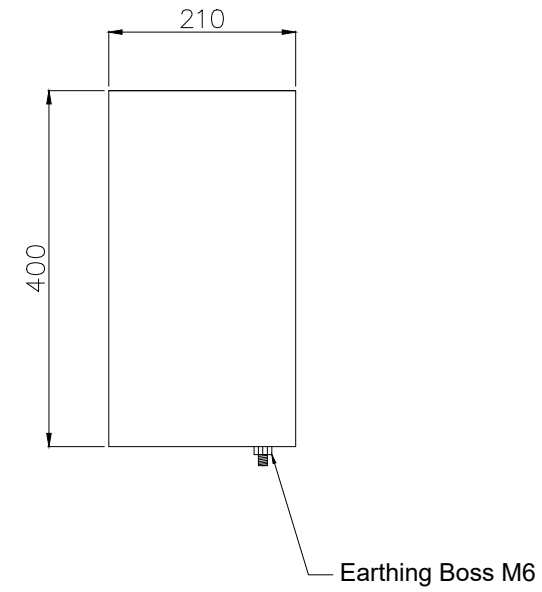
Front Side (Outside) View



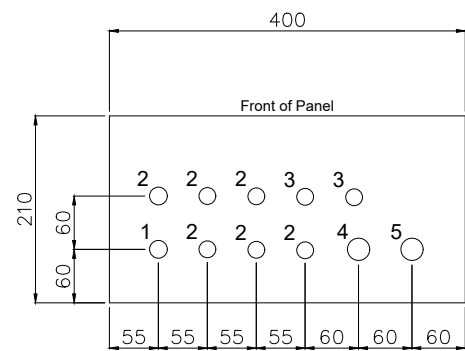
Front Side (Inside) View



Side (Outside) View



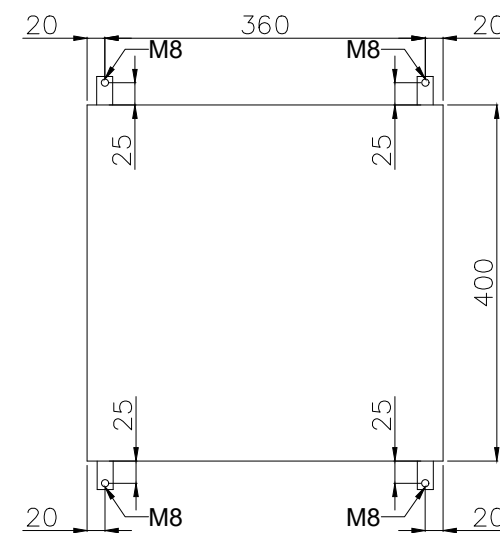
Bottom View



Gland Entry Details

1. M20 - 1x (Breather)
2. M20 - 6x (Cables from Transmitters)
3. M20 - 2x (Spare)
4. M25 - 1x (Multipair Cable from Customer)
5. M25 - 1x (Spare)

Back (Outside) View Mounting Details



GENERAL NOTES

- NOTES
1. PANEL DIMENSIONS: 400x400x210mm
 2. PANEL MATERIAL: SS316L STAINLESS STEEL
 3. PANEL COLOR: RAL5010 (BLUE)
 4. PANEL WILL BE RIGHT HINGED
 5. AREA CLASSIFICATION: Ex II 3G IIC T3 Eex'e'
 6. AMBIENT TEMPERATURE: 5°C/+48°C
 7. INGRESS PROTECTION: IP65
 8. CABLE RACEWAYS SHALL HAVE NO LESS THAN 20% SPARE CAPACITY.
 9. DIN RAIL TYPE: NS35
 10. BLUE SLOTTED CABLE TRUNKING WILL BE PROVIDED FOR INTRINSICALLY SAFE SIGNALS.
 11. SPARES WILL BE PLUGGED WITH SUS Ex PLUG
 12. GLANDS WILL BE Ex'd IP65 NICKEL PLATED BRASS TYPE GLANDS

REFERENCE DRAWINGS	DWG.No.
xxxx	xxxx

LEGEND

RESULT CODE: AP AN CO RE RESUBMISSION DATE:

NEXT STATUS: IFI IFA IAF ASB/IFIN

Approval or review hereunder shall not be construed to relieve Vendor/ Subcontractor of his responsibilities and liability under the Contract.

P.O. NO.:

M.R. NO.:

ITEM NO. (EQUIPMENT NO.):

VENDRO JOB NO.:

REV.	DATE	PURPOSE OF ISSUE (P.O.I.)	PREP.	CHKD.	APPR.	AC.
01	25/Apr/25	ISSUE FOR APPROVAL	RT	RB	SC	-
00	24/Mar/25	ISSUED FOR APPROVAL	RT	RB	SC	-

OWNER:



PROJECT:
300 KT POLYETHYLENE PLANT
ARYA SASOL POLYMER COMPANY (ASPC)

MC:

CONTRACTOR: VENDOR:

DRAWING TITLE:
PANEL LAYOUT DRAWING
LOCAL CONTROL PANEL 44AJB-80004A

OWNER PROJECT NO.	VENDOR DWG.	MR NO.	VENDOR CODE	DISCIPLINE	UNIT	TYPE	SEQ.
3944	VD	0171	DYP	RE	400	DWG	0003

SCALE: NONE SIZE: A0 SHEET NO. 21 OF 34 REV. 01


No.	Description	Tag Number	Make	Model	Qty.
1	Ready Indication Lamp (Green)	3H4	Bartec	07-3351-1420	1
2	Running Indication Lamp (Green)	3H6	Bartec	07-3351-1420	1
3	Alarm Indication Lamp (Amber)	3H8	Bartec	07-3351-1430	1
4	Trip Lamp (Red)	3H10	Bartec	07-3351-1410	1
5	Start Pushbutton (Green)	2S4	Bartec	07-3353-400	1
6	Stop Pushbutton (Red)	2S6	Bartec	07-3353-400	1
7	Lamp Test Pushbutton (Black)	2S8	Bartec	07-3353-400	1
8	Selector Switch (Local/Off/Remote)	2S10	Bartec	05-0003-001000	1
9	Emergency Shutdown Pushbutton with Protective Cover	4S4	Bartec	05-0003-00 0800	1
Terminal Strip Definition					
X1	Connection Pushbuttons	X1	Phoenix Contact	3044102	16
X2	Connection Lamps	X2	Phoenix Contact	3211760	16
X9	Connection ESD Pushbutton	X9	Phoenix Contact	3044102	16

GENERAL NOTES	
NOTES 1. BILL OF MATERIALS (BOM) AS PER THE LATEST WIRING DIAGRAM.	
REFERENCE DRAWINGS	DWG.No.
xxxx	xxxx

LEGEND	



RESULT CODE:	<input type="checkbox"/> AP	<input type="checkbox"/> AN	<input type="checkbox"/> CO	<input type="checkbox"/> RE	RESUBMISSION DATE:
NEXT STATUS:	<input type="checkbox"/> IFI	<input type="checkbox"/> IFA	<input type="checkbox"/> AFC	<input type="checkbox"/> ASB/IFIN	
Approval or review hereunder shall not be construed to relieve Vendor/ Subcontractor of his responsibilities and liability under the Contract.					
P.O. NO.:					
M.R. NO.:					
ITEM NO. (EQUIPMENT NO.):					
VENDRO JOB NO.:					
01	25/Apr/25	ISSUE FOR APPROVAL	RT	RB	SC
00	24/Mar/25	ISSUED FOR APPROVAL	RT	RB	SC
REV.	DATE	PURPOSE OF ISSUE (P.O.I.)	PREP.	CHKD.	APPR. AC.

OWNER:

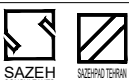



PROJECT:
300 KT POLYETHYLENE PLANT
ARYA SASOL POLYMER COMPANY (ASPC)


MC:

CONTRACTOR:

VENDOR:

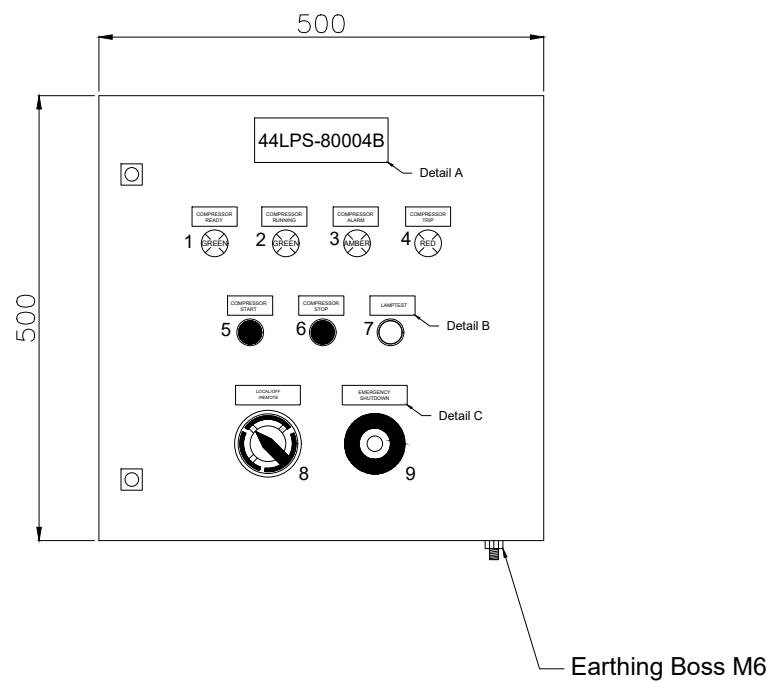


DRAWING TITLE:
PANEL LAYOUT DRAWING
BILL OF MATERIALS FOR
LOCAL CONTROL PANEL 44LPS-80004B
OWNER DOC. NO.

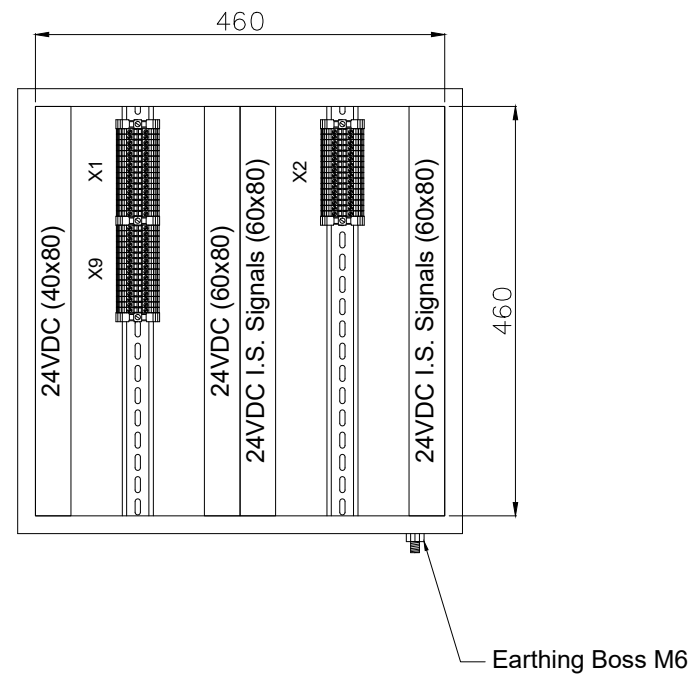
OWNER PROJECT NO.	VENDOR DWG.	MR NO.	VENDOR CODE	DISCIPLINE	UNIT	TYPE	SEQ.
3944	VD	0171	DYP	RE	400	DWG	0003
SCALE:	NONE	SIZE:	A0	SHEET NO.	22 OF 34	REV.	01

44LPS-80004B

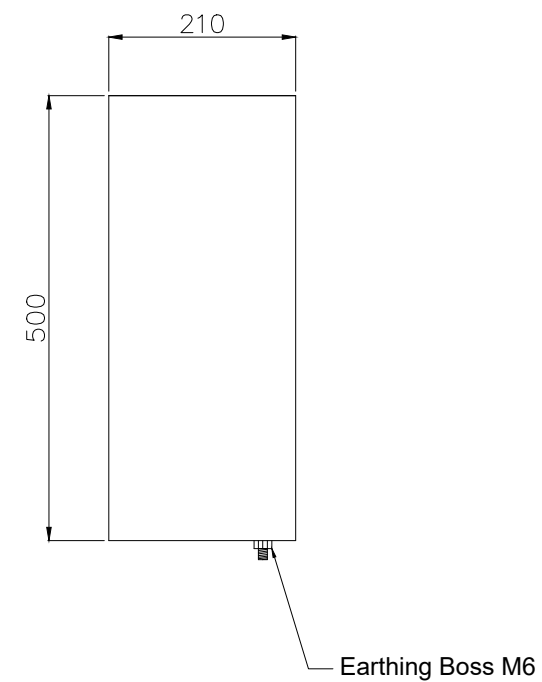
Front Side (Outside) View



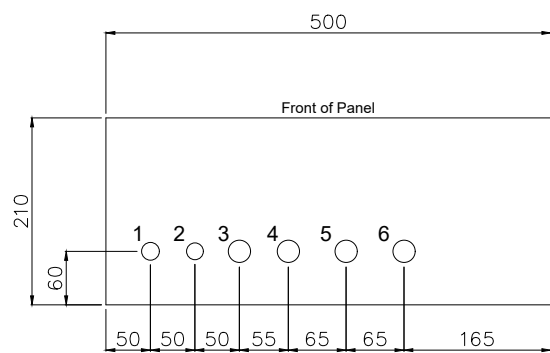
Front Side (Inside) View



Side (Outside) View



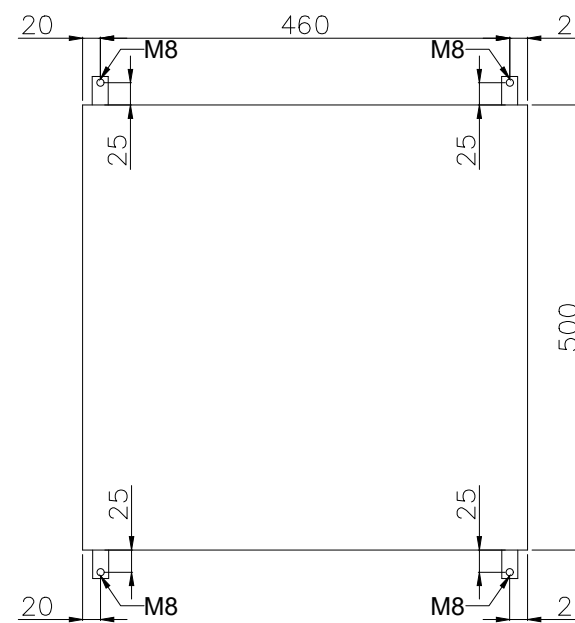
Bottom View



Gland Entry Details

1. M20 - 1x (Breather)
2. M20 - 1x (Spare)
3. M25 - 1x (Cable for Lamps)
4. M25 - 1x (Cable for Pushbuttons)
5. M25 - 1x (Cable for ESD Pushbutton)
6. M25 - 1x (Spare)

Back (Outside) View Mounting Details



GENERAL NOTES

- NOTES
1. PANEL DIMENSIONS: 500x500x210mm
 2. PANEL MATERIAL: SS316L STAINLESS STEEL
 3. PANEL COLOR: RAL7035 (GRAY)
 4. PANEL WILL BE RIGHT HINGED
 5. AREA CLASSIFICATION: Ex II 3G IIC T3 Eex'e'
 6. AMBIENT TEMPERATURE: 5°C/+48°C
 7. INGRESS PROTECTION: IP65
 8. CABLE RACEWAYS SHALL HAVE NO LESS THAN 20% SPARE CAPACITY.
 9. DIN RAIL TYPE: NS35
 10. BLUE SLOTTED CABLE TRUNKING WILL BE PROVIDED FOR INTRINSICALLY SAFE SIGNALS.
 11. SPARES WILL BE PLUGGED WITH SUS Ex PLUG
 12. GLANDS WILL BE Ex'd IP65 NICKEL PLATED BRASS TYPE GLANDS

REFERENCE DRAWINGS	DWG.No.
xxxx	xxxx

LEGEND

RESULT CODE: AP AN CO RE RESUBMISSION DATE:

NEXT STATUS: IFI IFA IFC ASB/FIN

Approval or review hereunder shall not be construed to relieve Vendor/ Subcontractor of his responsibilities and liability under the Contract.

P.O. NO.:

M.R. NO.:

ITEM NO. (EQUIPMENT NO.):

VENDRO JOB NO.:

REV.	DATE	PURPOSE OF ISSUE (P.O.I.)	PREP.	CHKD.	APPR.	AC.
01	25/Apr/25	ISSUE FOR APPROVAL	RT	RB	SC	-
00	24/Mar/25	ISSUED FOR APPROVAL	RT	RB	SC	-

OWNER:



PROJECT:

300 KT POLYETHYLENE PLANT
ARYA SASOL POLYMER COMPANY (ASPC)

MC:



CONTRACTOR:

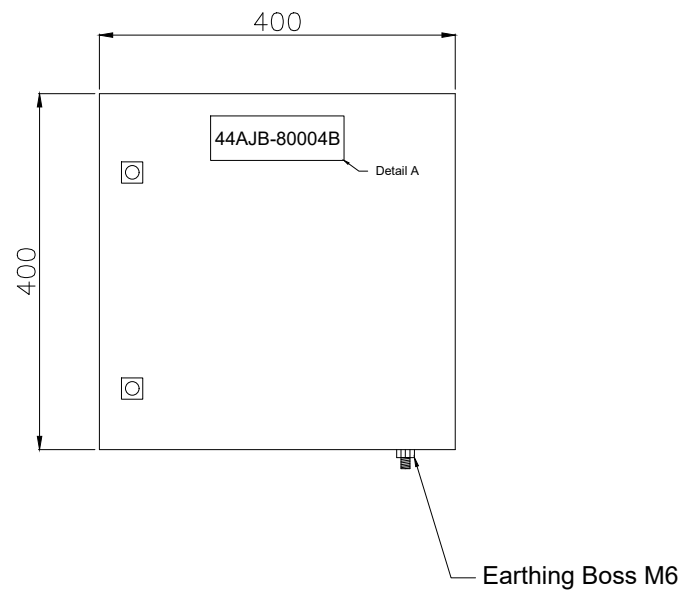


DRAWING TITLE:
PANEL LAYOUT DRAWING
LOCAL CONTROL PANEL 44LPS-80004B

OWNER PROJECT NO.	VENDOR DWG.	MR NO.	VENDOR CODE	DISCIPLINE	UNIT	TYPE	SEQ.
3944	VD	0171	DYP	RE	400	DWG	0003
SCALE: NONE	SIZE: A0	SHEET NO. 23	OF 34	REV. 01			

44AJB-80004B

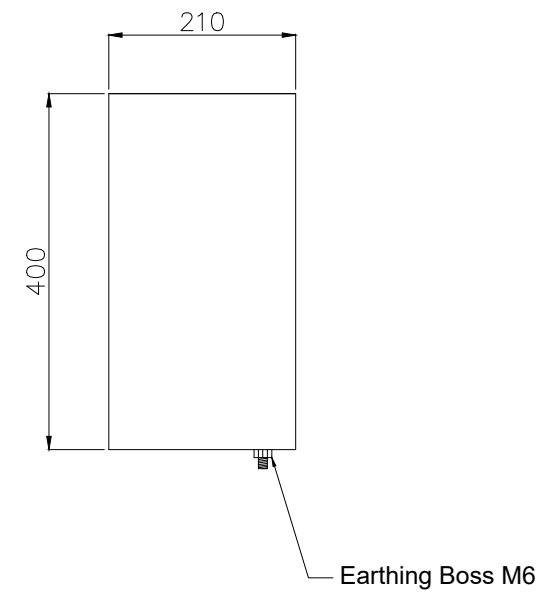
Front Side (Outside) View



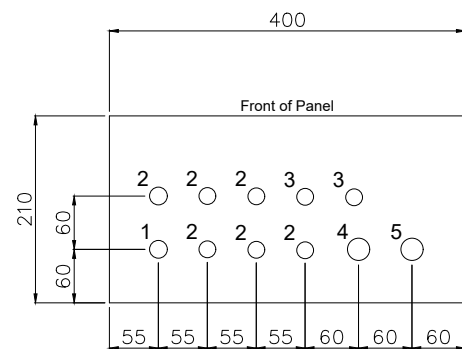
Front Side (Inside) View



Side (Outside) View



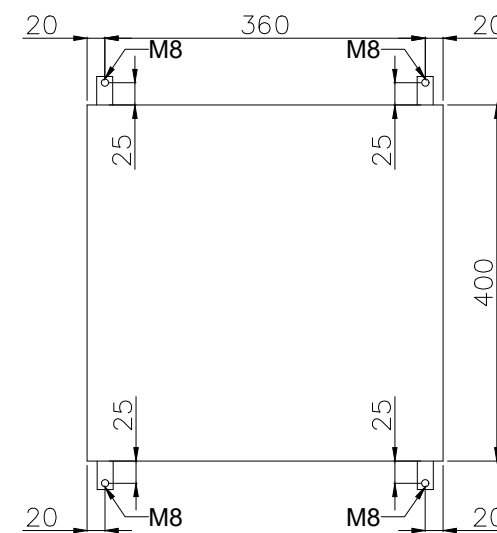
Bottom View



Gland Entry Details

1. M20 - 1x (Breather)
2. M20 - 6x (Cables from Transmitters)
3. M20 - 2x (Spare)
4. M25 - 1x (Multipair Cable from Customer)
5. M25 - 1x (Spare)

Back (Outside) View Mounting Details



GENERAL NOTES

- NOTES
1. PANEL DIMENSIONS: 400x400x210mm
 2. PANEL MATERIAL: SS316L STAINLESS STEEL
 3. PANEL COLOR: RAL5010 (BLUE)
 4. PANEL WILL BE RIGHT HINGED
 5. AREA CLASSIFICATION: Ex II 3G IIC T3 Eex'e'
 6. AMBIENT TEMPERATURE: 5°C/+48°C
 7. INGRESS PROTECTION: IP65
 8. CABLE RACEWAYS SHALL HAVE NO LESS THAN 20% SPARE CAPACITY.
 9. DIN RAIL TYPE: NS35
 10. BLUE SLOTTED CABLE TRUNKING WILL BE PROVIDED FOR INTRINSICALLY SAFE SIGNALS.
 11. SPARES WILL BE PLUGGED WITH SUS Ex PLUG
 12. GLANDS WILL BE Ex'd IP65 NICKEL PLATED BRASS TYPE GLANDS

REFERENCE DRAWINGS	DWG.No.
xxxx	xxxx

LEGEND

RESULT CODE: AP AN CO RE RESUBMISSION DATE:

NEXT STATUS: IFI IFA IAF ASB/IFIN

Approval or review hereunder shall not be construed to relieve Vendor/ Subcontractor of his responsibilities and liability under the Contract.

P.O. NO.:

M.R. NO.:

ITEM NO. (EQUIPMENT NO.):

VENDRO JOB NO.:

REV.	DATE	PURPOSE OF ISSUE (P.O.I.)	PREP.	CHKD.	APPR.	AC.
01	25/Apr/25	ISSUE FOR APPROVAL	RT	RB	SC	-
00	24/Mar/25	ISSUED FOR APPROVAL	RT	RB	SC	-

OWNER:



PROJECT:

300 KT POLYETHYLENE PLANT
ARYA SASOL POLYMER COMPANY (ASPC)

MC:



CONTRACTOR:



VENDOR:



DRAWING TITLE:

PANEL LAYOUT DRAWING
LOCAL CONTROL PANEL 44AJB-80004B

OWNER PROJECT NO.	VENDOR DWG.	MR NO.	VENDOR CODE	DISCIPLINE	UNIT	TYPE	SEQ.
3944	VD	0171	DYP	RE	400	DWG	0003
SCALE: NONE	SIZE: A0	SHEET NO. 24	OF 34	REV. 01			


No.	Description	Tag Number	Make	Model	Qty.
1	Ready Indication Lamp (Green)	3H4	Bartec	07-3351-1420	1
2	Running Indication Lamp (Green)	3H6	Bartec	07-3351-1420	1
3	Alarm Indication Lamp (Amber)	3H8	Bartec	07-3351-1430	1
4	Trip Lamp (Red)	3H10	Bartec	07-3351-1410	1
5	Start Pushbutton (Green)	2S4	Bartec	07-3353-400	1
6	Stop Pushbutton (Red)	2S6	Bartec	07-3353-400	1
7	Lamp Test Pushbutton (Black)	2S8	Bartec	07-3353-400	1
8	Selector Switch (Local/Off/Remote)	2S10	Bartec	05-0003-001000	1
9	Emergency Shutdown Pushbutton with Protective Cover	4S4	Bartec	05-0003-00 0800	1
Terminal Strip Definition					
X1	Connection Pushbuttons	X1	Phoenix Contact	3044102	16
X2	Connection Lamps	X2	Phoenix Contact	3211760	16
X9	Connection ESD Pushbutton	X9	Phoenix Contact	3044102	16

GENERAL NOTES	
NOTES 1. BILL OF MATERIALS (BOM) AS PER THE LATEST WIRING DIAGRAM.	
REFERENCE DRAWINGS	DWG.No.
xxxx	xxxx

LEGEND	

RESULT CODE:	<input type="checkbox"/> AP	<input type="checkbox"/> AN	<input type="checkbox"/> CO	<input type="checkbox"/> RE	RESUBMISSION DATE:
NEXT STATUS:	<input type="checkbox"/> IFI	<input type="checkbox"/> IFA	<input type="checkbox"/> AFC	<input type="checkbox"/> ASB/IFIN	
Approval or review hereunder shall not be construed to relieve Vendor/ Subcontractor of his responsibilities and liability under the Contract.					
P.O. NO.:					
M.R. NO.:					
ITEM NO. (EQUIPMENT NO.):					
VENDRO JOB NO.:					
01	25/Apr/25	ISSUE FOR APPROVAL	RT	RB	SC
00	24/Mar/25	ISSUED FOR APPROVAL	RT	RB	SC
REV.	DATE	PURPOSE OF ISSUE (P.O.I.)	PREP.	CHKD.	APPR. AC.



OWNER:



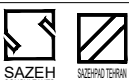

PROJECT:

300 KT POLYETHYLENE PLANT
ARYA SASOL POLYMER COMPANY (ASPC)


MC:

CONTRACTOR:

VENDOR:



DRAWING TITLE:

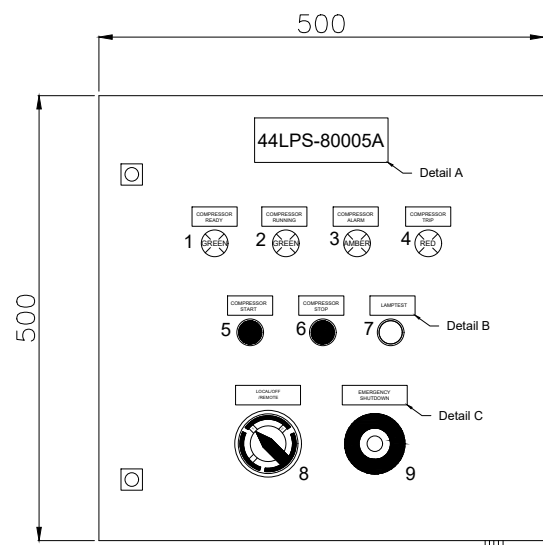
PANEL LAYOUT DRAWING
BILL OF MATERIALS FOR
LOCAL CONTROL PANEL 44LPS-80005A

OWNER DOC. NO.

OWNER PROJECT NO.	VENDOR DWG.	MR NO.	VENDOR CODE	DISCIPLINE	UNIT	TYPE	SEQ.
3944	VD	0171	DYP	RE	400	DWG	0003
SCALE:	NONE	SIZE:	A0	SHEET NO.	25 OF 34	REV.	01

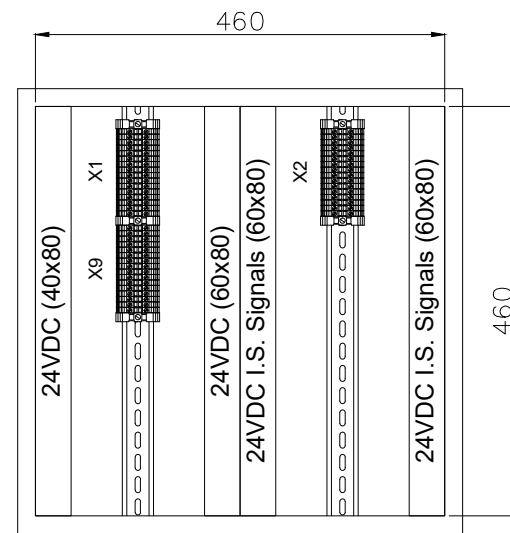
44LPS-80005A

Front Side (Outside) View



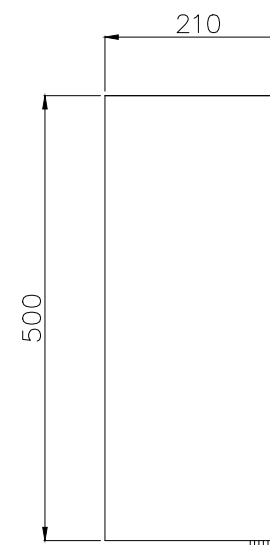
Earthing Boss M6

Front Side (Inside) View



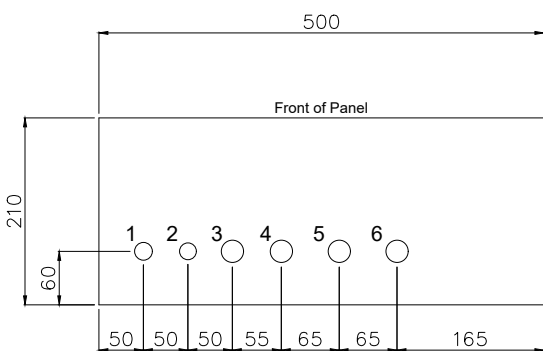
Earthing Boss M6

Side (Outside) View



Earthing Boss M6

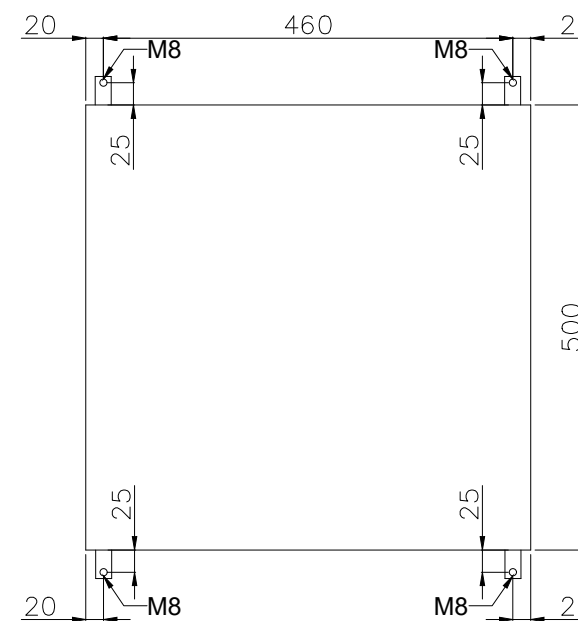
Bottom View



Gland Entry Details

1. M20 - 1x (Breather)
2. M20 - 1x (Spare)
3. M25 - 1x (Cable for Lamps)
4. M25 - 1x (Cable for Pushbuttons)
5. M25 - 1x (Cable for ESD Pushbutton)
6. M25 - 1x (Spare)

Back (Outside) View Mounting Details



GENERAL NOTES	
NOTES	
1. PANEL DIMENSIONS: 500x500x210mm	
2. PANEL MATERIAL: SS316L STAINLESS STEEL	
3. PANEL COLOR: RAL7035 (GRAY)	
4. PANEL WILL BE RIGHT HINGED	
5. AREA CLASSIFICATION: Ex II 3G IIC T3 Eex'e'	
6. AMBIENT TEMPERATURE: 5°C/+48°C	
7. INGRESS PROTECTION: IP65	
8. CABLE RACEWAYS SHALL HAVE NO LESS THAN 20% SPARE CAPACITY.	
9. DIN RAIL TYPE: NS35	
10. BLUE SLOTTED CABLE TRUNKING WILL BE PROVIDED FOR INTRINSICALLY SAFE SIGNALS.	
11. SPARES WILL BE PLUGGED WITH SUS Ex PLUG	
12. GLANDS WILL BE Ex'd IP65 NICKEL PLATED BRASS TYPE GLANDS	

REFERENCE DRAWINGS	DWG.No.
xxxx	xxxx

LEGEND

RESULT CODE:	<input type="checkbox"/> AP	<input type="checkbox"/> AN	<input type="checkbox"/> CO	<input type="checkbox"/> RE	RESUBMISSION DATE:
--------------	-----------------------------	-----------------------------	-----------------------------	-----------------------------	--------------------

NEXT STATUS:	<input type="checkbox"/> IFI	<input type="checkbox"/> IFA	<input type="checkbox"/> AFC	<input type="checkbox"/> ASB/IFIN
--------------	------------------------------	------------------------------	------------------------------	-----------------------------------

Approval or review hereunder shall not be construed to relieve Vendor/ Subcontractor of his responsibilities and liability under the Contract.

P.O. NO.:

M.R. NO.:

ITEM NO. (EQUIPMENT NO.):

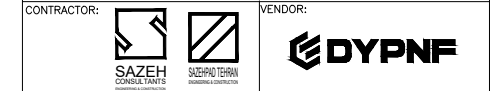
VENDRO JOB NO.:

REV.	DATE	PURPOSE OF ISSUE (P.O.I.)	PREP.	CHKD.	APPR.	AC.
01	25/Apr/25	ISSUE FOR APPROVAL	RT	RB	SC	I
00	24/Mar/25	ISSUED FOR APPROVAL	RT	RB	SC	I

OWNER:



PROJECT:
300 KT POLYETHYLENE PLANT
ARYA SASOL POLYMER COMPANY (ASPC)

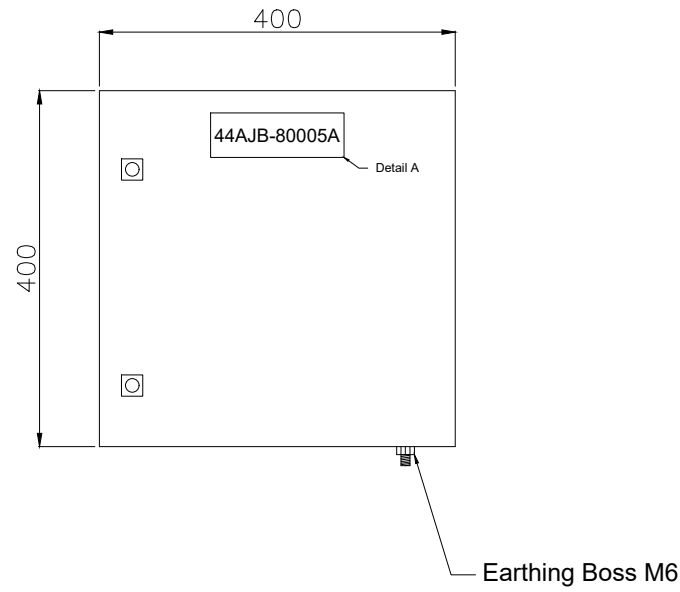


DRAWING TITLE:
PANEL LAYOUT DRAWING
LOCAL CONTROL PANEL 44LPS-80005A

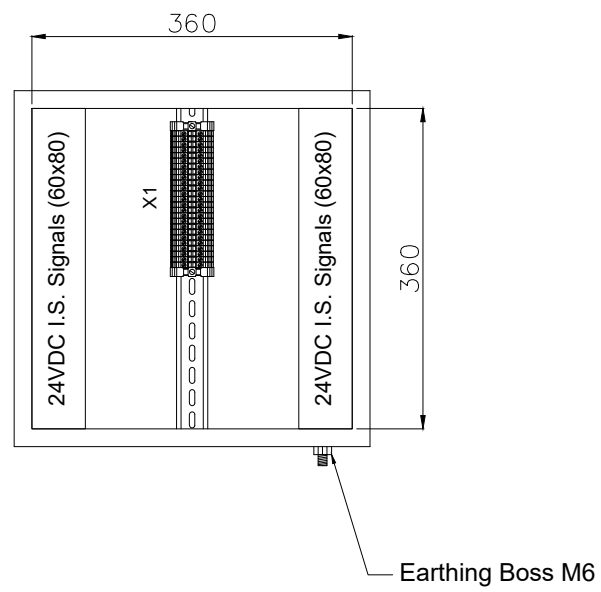
OWNER DOC. NO.						
OWNER PROJECT NO.	VENDOR DWG.	MR NO.	VENDOR CODE	DISCIPLINE	UNIT	TYPE SEQ.
3944	VD	0171	DYP	RE	400	DWG 0003
SCALE: NONE	SIZE: A0	SHEET NO. 26 OF 34	REV. 01			

44AJB-80005A

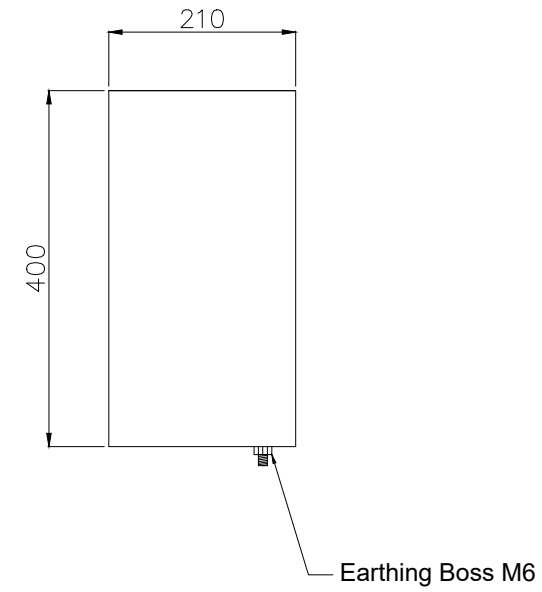
Front Side (Outside) View



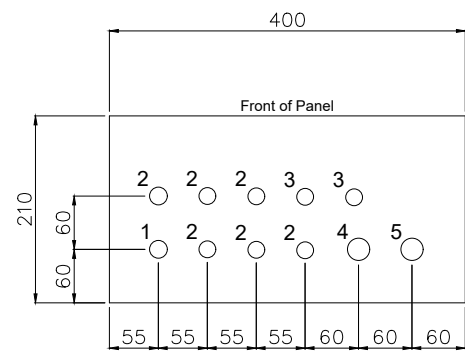
Front Side (Inside) View



Side (Outside) View



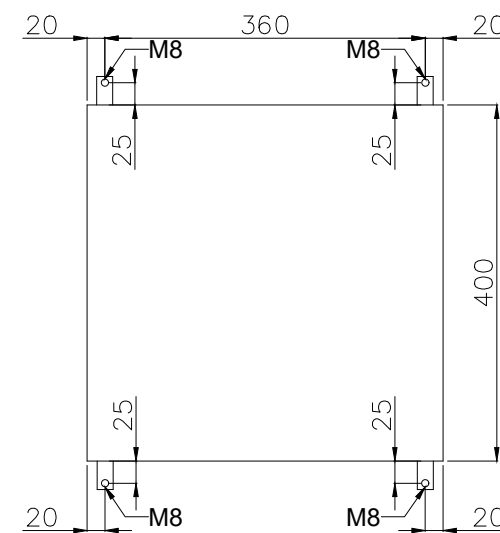
Bottom View



Gland Entry Details

1. M20 - 1x (Breather)
2. M20 - 6x (Cables from Transmitters)
3. M20 - 2x (Spare)
4. M25 - 1x (Multipair Cable from Customer)
5. M25 - 1x (Spare)

Back (Outside) View Mounting Details



GENERAL NOTES

- NOTES
1. PANEL DIMENSIONS: 400x400x210mm
 2. PANEL MATERIAL: SS316L STAINLESS STEEL
 3. PANEL COLOR: RAL5010 (BLUE)
 4. PANEL WILL BE RIGHT HINGED
 5. AREA CLASSIFICATION: Ex II 3G IIC T3 Eex'e'
 6. AMBIENT TEMPERATURE: 5°C/+48°C
 7. INGRESS PROTECTION: IP65
 8. CABLE RACEWAYS SHALL HAVE NO LESS THAN 20% SPARE CAPACITY.
 9. DIN RAIL TYPE: NS35
 10. BLUE SLOTTED CABLE TRUNKING WILL BE PROVIDED FOR INTRINSICALLY SAFE SIGNALS.
 11. SPARES WILL BE PLUGGED WITH SUS Ex PLUG
 12. GLANDS WILL BE Ex'd IP65 NICKEL PLATED BRASS TYPE GLANDS

REFERENCE DRAWINGS	DWG.No.
xxxx	xxxx

LEGEND

RESULT CODE: AP AN CO RE RESUBMISSION DATE:

NEXT STATUS: IFI IFA IAF ASB/IFIN

Approval or review hereunder shall not be construed to relieve Vendor/ Subcontractor of his responsibilities and liability under the Contract.

P.O. NO.:

M.R. NO.:

ITEM NO. (EQUIPMENT NO.):

VENDRO JOB NO.:

REV.	DATE	PURPOSE OF ISSUE (P.O.I.)	PREP.	CHKD.	APPR.	AC.
01	25/Apr/25	ISSUE FOR APPROVAL	RT	RB	SC	-
00	24/Mar/25	ISSUED FOR APPROVAL	RT	RB	SC	-

OWNER:



PROJECT:
300 KT POLYETHYLENE PLANT
ARYA SASOL POLYMER COMPANY (ASPC)

MC:

CONTRACTOR: VENDOR:

DRAWING TITLE:
PANEL LAYOUT DRAWING
LOCAL CONTROL PANEL 44AJB-80005A

OWNER PROJECT NO.	VENDOR DWG.	MR NO.	VENDOR CODE	DISCIPLINE	UNIT	TYPE	SEQ.
3944	VD	0171	DYP	RE	400	DWG	0003

SCALE: NONE SIZE: A0 SHEET NO. 27 OF 34 REV. 01


No.	Description	Tag Number	Make	Model	Qty.
1	Ready Indication Lamp (Green)	3H4	Bartec	07-3351-1420	1
2	Running Indication Lamp (Green)	3H6	Bartec	07-3351-1420	1
3	Alarm Indication Lamp (Amber)	3H8	Bartec	07-3351-1430	1
4	Trip Lamp (Red)	3H10	Bartec	07-3351-1410	1
5	Start Pushbutton (Green)	2S4	Bartec	07-3353-400	1
6	Stop Pushbutton (Red)	2S6	Bartec	07-3353-400	1
7	Lamp Test Pushbutton (Black)	2S8	Bartec	07-3353-400	1
8	Selector Switch (Local/Off/Remote)	2S10	Bartec	05-0003-001000	1
9	Emergency Shutdown Pushbutton with Protective Cover	4S4	Bartec	05-0003-00 0800	1
Terminal Strip Definition					
X1	Connection Pushbuttons	X1	Phoenix Contact	3044102	16
X2	Connection Lamps	X2	Phoenix Contact	3211760	16
X9	Connection ESD Pushbutton	X9	Phoenix Contact	3044102	16

GENERAL NOTES	
NOTES 1. BILL OF MATERIALS (BOM) AS PER THE LATEST WIRING DIAGRAM.	
REFERENCE DRAWINGS	DWG.No.
xxxx	xxxx

LEGEND	



RESULT CODE:	<input type="checkbox"/> AP	<input type="checkbox"/> AN	<input type="checkbox"/> CO	<input type="checkbox"/> RE	RESUBMISSION DATE:	
NEXT STATUS:	<input type="checkbox"/> IFI	<input type="checkbox"/> IFA	<input type="checkbox"/> AFC	<input type="checkbox"/> ASB/IFIN		
Approval or review hereunder shall not be construed to relieve Vendor/ Subcontractor of his responsibilities and liability under the Contract.						
P.O. NO.:						
M.R. NO.:						
ITEM NO. (EQUIPMENT NO.):						
VENDRO JOB NO.:						
REV.	DATE	PURPOSE OF ISSUE (P.O.I.)	PREP.	CHKD.	APPR.	AC.
01	25/Apr/25	ISSUE FOR APPROVAL	RT	RB	SC	-
00	24/Mar/25	ISSUED FOR APPROVAL	RT	RB	SC	-

OWNER:





PROJECT:
300 KT POLYETHYLENE PLANT
ARYA SASOL POLYMER COMPANY (ASPC)


MC:

CONTRACTOR:

VENDOR:

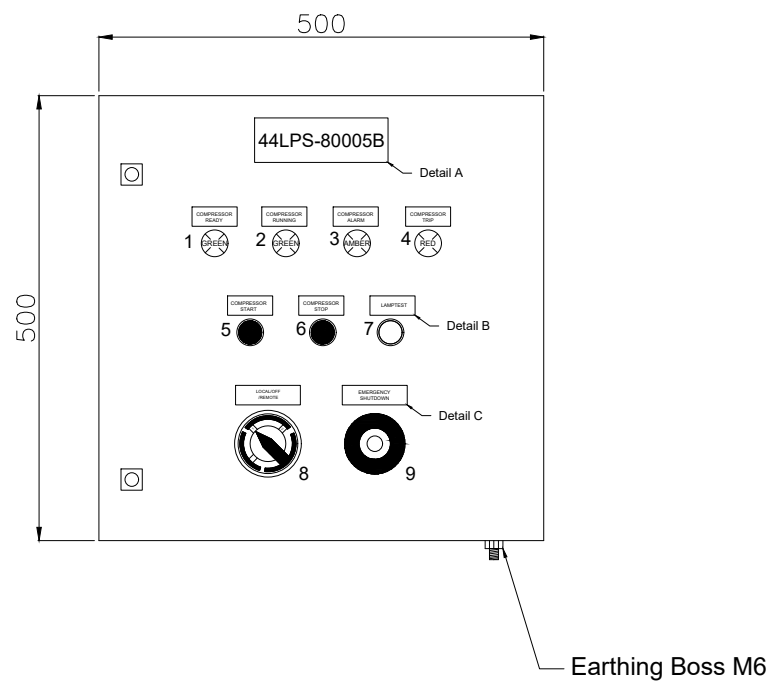


DRAWING TITLE:
PANEL LAYOUT DRAWING
BILL OF MATERIALS FOR
LOCAL CONTROL PANEL 44LPS-80005B
OWNER DOC. NO.

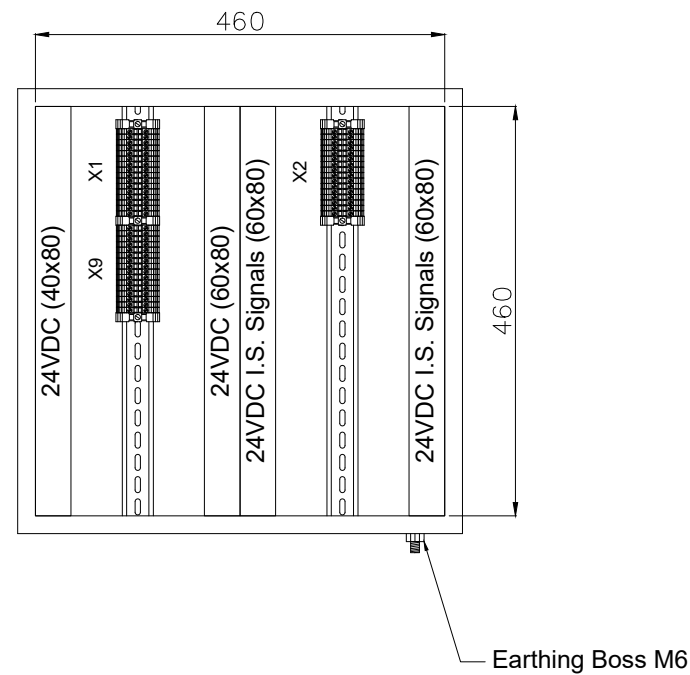
OWNER PROJECT NO.	VENDOR DWG.	MR NO.	VENDOR CODE	DISCIPLINE	UNIT	TYPE	SEQ.
3944	VD	0171	DYP	RE	400	DWG	0003
SCALE:	NONE	SIZE:	A0	SHEET NO.	28 OF 34	REV.	01

44LPS-80005B

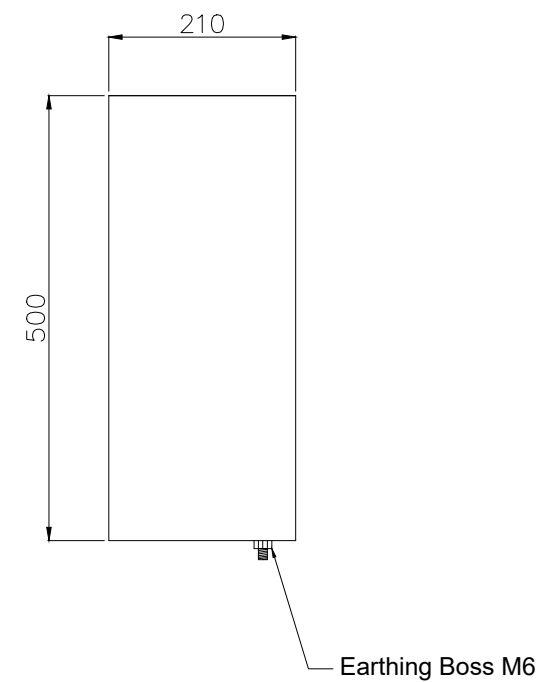
Front Side (Outside) View



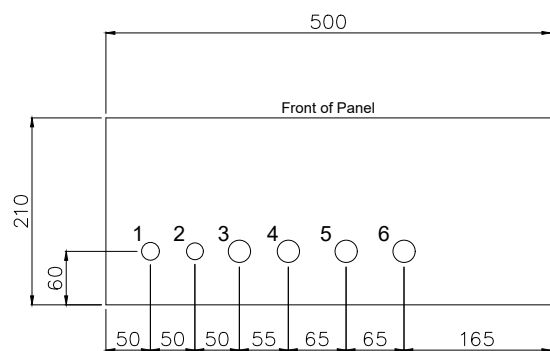
Front Side (Inside) View



Side (Outside) View



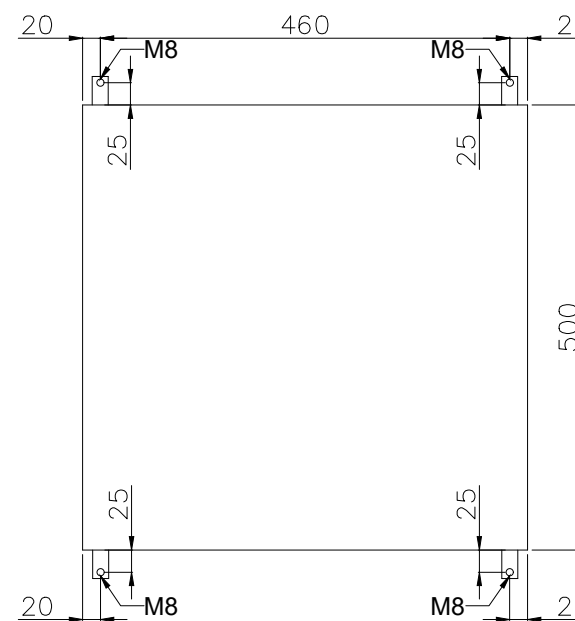
Bottom View



Gland Entry Details

1. M20 - 1x (Breather)
2. M20 - 1x (Spare)
3. M25 - 1x (Cable for Lamps)
4. M25 - 1x (Cable for Pushbuttons)
5. M25 - 1x (Cable for ESD Pushbutton)
6. M25 - 1x (Spare)

Back (Outside) View Mounting Details



GENERAL NOTES

- NOTES
1. PANEL DIMENSIONS: 500x500x210mm
 2. PANEL MATERIAL: SS316L STAINLESS STEEL
 3. PANEL COLOR: RAL7035 (GRAY)
 4. PANEL WILL BE RIGHT HINGED
 5. AREA CLASSIFICATION: Ex II 3G IIC T3 Eex'e'
 6. AMBIENT TEMPERATURE: 5°C/+48°C
 7. INGRESS PROTECTION: IP65
 8. CABLE RACEWAYS SHALL HAVE NO LESS THAN 20% SPARE CAPACITY.
 9. DIN RAIL TYPE: NS35
 10. BLUE SLOTTED CABLE TRUNKING WILL BE PROVIDED FOR INTRINSICALLY SAFE SIGNALS.
 11. SPARES WILL BE PLUGGED WITH SUS Ex PLUG
 12. GLANDS WILL BE Ex'd IP65 NICKEL PLATED BRASS TYPE GLANDS

REFERENCE DRAWINGS	DWG.No.
xxxx	xxxx

LEGEND

RESULT CODE: AP AN CO RE RESUBMISSION DATE:

NEXT STATUS: IFI IFA IFC ASB/FIN

Approval or review hereunder shall not be construed to relieve Vendor/ Subcontractor of his responsibilities and liability under the Contract.

P.O. NO.:

M.R. NO.:

ITEM NO. (EQUIPMENT NO.):

VENDOR JOB NO.:

REV.	DATE	PURPOSE OF ISSUE (P.O.I.)	PREP.	CHKD.	APPR.	AC.
01	25/Apr/25	ISSUE FOR APPROVAL	RT	RB	SC	-
00	24/Mar/25	ISSUED FOR APPROVAL	RT	RB	SC	-

OWNER:



PROJECT:
300 KT POLYETHYLENE PLANT
ARYA SASOL POLYMER COMPANY (ASPC)

MC:
ISEDCO
گروه صنعتی ایزدکو

CONTRACTOR: SAZEH CONSULTANTS
VENDOR: DYPNF

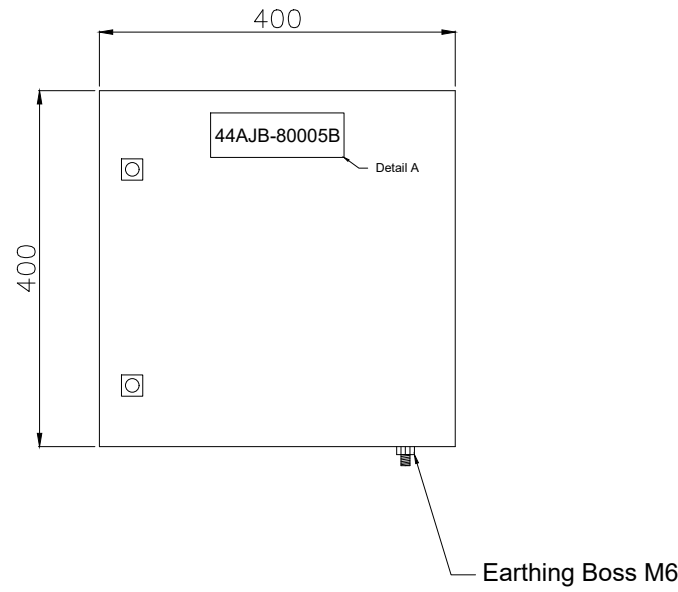
DRAWING TITLE:
PANEL LAYOUT DRAWING
LOCAL CONTROL PANEL 44LPS-80005B

OWNER PROJECT NO.	VENDOR DWG.	MR NO.	VENDOR CODE	DISCIPLINE	UNIT	TYPE	SEQ.
3944	VD	0171	DYP	RE	400	DWG	0003

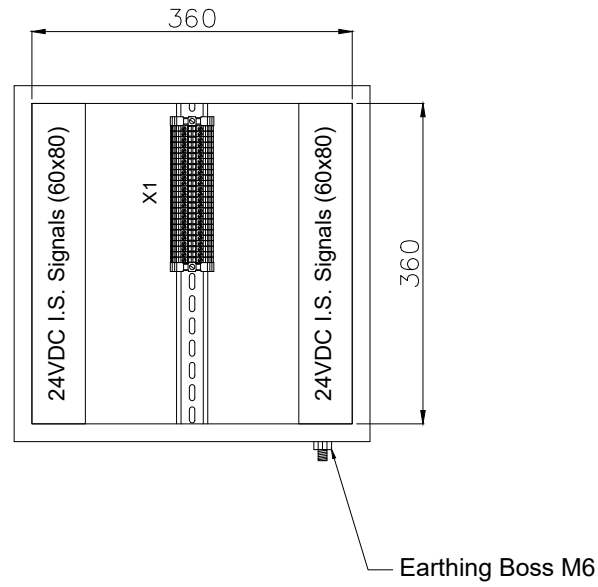
SCALE: NONE SIZE: A0 SHEET NO. 29 OF 34 REV. 01

44AJB-80005B

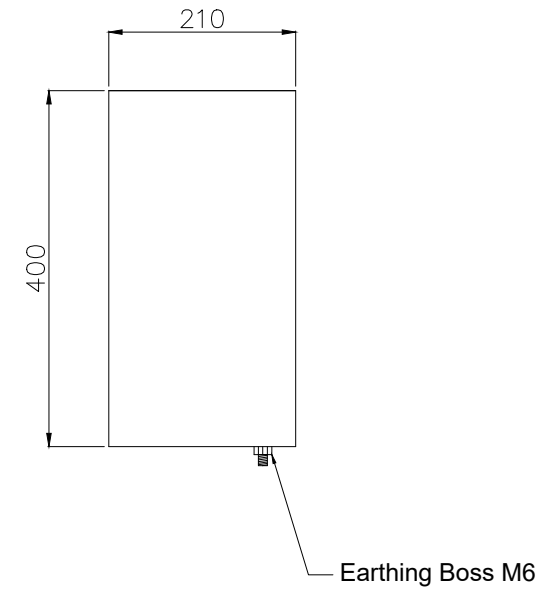
Front Side (Outside) View



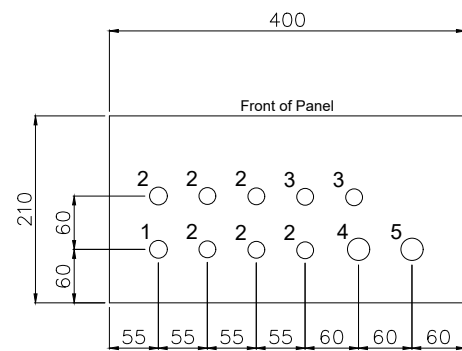
Front Side (Inside) View



Side (Outside) View



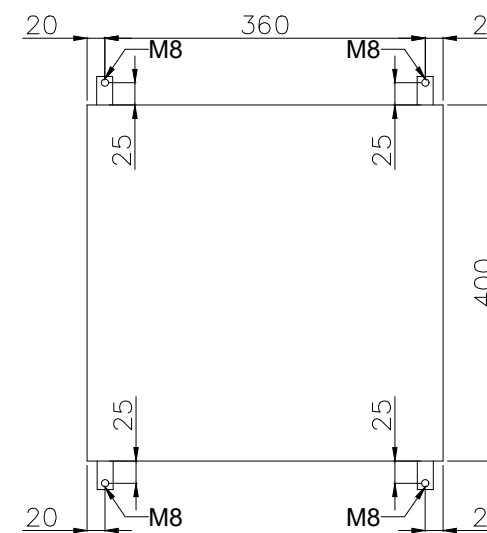
Bottom View



Gland Entry Details

1. M20 - 1x (Breather)
2. M20 - 6x (Cables from Transmitters)
3. M20 - 2x (Spare)
4. M25 - 1x (Multipair Cable from Customer)
5. M25 - 1x (Spare)

Back (Outside) View Mounting Details



GENERAL NOTES

- NOTES
1. PANEL DIMENSIONS: 400x400x210mm
 2. PANEL MATERIAL: SS316L STAINLESS STEEL
 3. PANEL COLOR: RAL5010 (BLUE)
 4. PANEL WILL BE RIGHT HINGED
 5. AREA CLASSIFICATION: Ex II 3G IIC T3 Eex'e'
 6. AMBIENT TEMPERATURE: 5°C/+48°C
 7. INGRESS PROTECTION: IP65
 8. CABLE RACEWAYS SHALL HAVE NO LESS THAN 20% SPARE CAPACITY.
 9. DIN RAIL TYPE: NS35
 10. BLUE SLOTTED CABLE TRUNKING WILL BE PROVIDED FOR INTRINSICALLY SAFE SIGNALS.
 11. SPARES WILL BE PLUGGED WITH SUS Ex PLUG
 12. GLANDS WILL BE Ex'd IP65 NICKEL PLATED BRASS TYPE GLANDS

REFERENCE DRAWINGS	DWG.No.
xxxx	xxxx

LEGEND

RESULT CODE: AP AN CO RE RESUBMISSION DATE:

NEXT STATUS: IFI IFA IAF ASB/IFIN

Approval or review hereunder shall not be construed to relieve Vendor/ Subcontractor of his responsibilities and liability under the Contract.

P.O. NO.:

M.R. NO.:

ITEM NO. (EQUIPMENT NO.):

VENDRO JOB NO.:

REV.	DATE	PURPOSE OF ISSUE (P.O.I.)	PREP.	CHKD.	APPR.	AC.
01	25/Apr/25	ISSUE FOR APPROVAL	RT	RB	SC	-
00	24/Mar/25	ISSUED FOR APPROVAL	RT	RB	SC	-

OWNER:



PROJECT:
300 KT POLYETHYLENE PLANT
ARYA SASOL POLYMER COMPANY (ASPC)

MC:

CONTRACTOR: VENDOR:

DRAWING TITLE:
PANEL LAYOUT DRAWING
LOCAL CONTROL PANEL 44AJB-80005B

OWNER PROJECT NO.	VENDOR DWG.	MR NO.	VENDOR CODE	DISCIPLINE	UNIT	TYPE	SEQ.
3944	VD	0171	DYP	RE	400	DWG	0003
SCALE: NONE	SIZE: A0	SHEET NO. 30	OF 34	REV. 01			


No.	Description	Tag Number	Make	Model	Qty.
1	Ready Indication Lamp (Green)	3H4	Bartec	07-3351-1420	1
2	Running Indication Lamp (Green)	3H6	Bartec	07-3351-1420	1
3	Alarm Indication Lamp (Amber)	3H8	Bartec	07-3351-1430	1
4	Trip Lamp (Red)	3H10	Bartec	07-3351-1410	1
5	Start Pushbutton (Green)	2S4	Bartec	07-3353-400	1
6	Stop Pushbutton (Red)	2S6	Bartec	07-3353-400	1
7	Lamp Test Pushbutton (Black)	2S8	Bartec	07-3353-400	1
8	Selector Switch (Local/Off/Remote)	2S10	Bartec	05-0003-001000	1
9	Emergency Shutdown Pushbutton with Protective Cover	4S4	Bartec	05-0003-00 0800	1
Terminal Strip Definition					
X1	Connection Pushbuttons	X1	Phoenix Contact	3044102	16
X2	Connection Lamps	X2	Phoenix Contact	3211760	16
X9	Connection ESD Pushbutton	X9	Phoenix Contact	3044102	16

GENERAL NOTES	
NOTES 1. BILL OF MATERIALS (BOM) AS PER THE LATEST WIRING DIAGRAM.	
REFERENCE DRAWINGS	DWG.No.
xxxx	xxxx

LEGEND	



RESULT CODE:	<input type="checkbox"/> AP	<input type="checkbox"/> AN	<input type="checkbox"/> CO	<input type="checkbox"/> RE	RESUBMISSION DATE:
NEXT STATUS:	<input type="checkbox"/> IFI	<input type="checkbox"/> IFA	<input type="checkbox"/> AFC	<input type="checkbox"/> ASB/IFIN	
Approval or review hereunder shall not be construed to relieve Vendor/ Subcontractor of his responsibilities and liability under the Contract.					
P.O. NO.:					
M.R. NO.:					
ITEM NO. (EQUIPMENT NO.):					
VENDRO JOB NO.:					
01 25/Apr/25	ISSUE FOR APPROVAL	RT	RB	SC	-
00 24/Mar/25	ISSUED FOR APPROVAL	RT	RB	SC	-
REV.	DATE	PURPOSE OF ISSUE (P.O.I.)	PREP.	CHKD.	APPR.

OWNER:





PROJECT:
300 KT POLYETHYLENE PLANT
ARYA SASOL POLYMER COMPANY (ASPC)


MC:

CONTRACTOR:

VENDOR:

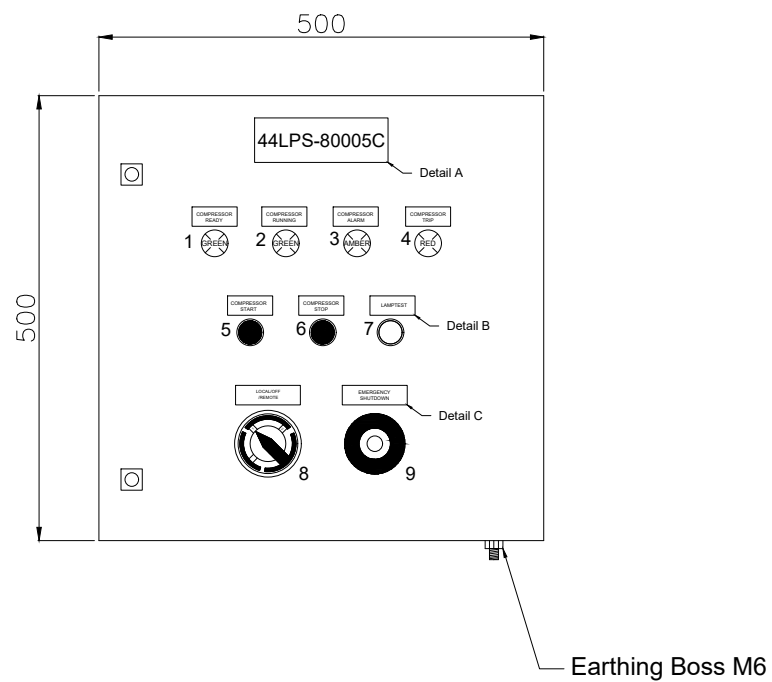


DRAWING TITLE:
PANEL LAYOUT DRAWING
BILL OF MATERIALS FOR
LOCAL CONTROL PANEL 44LPS-80005C
OWNER DOC. NO.

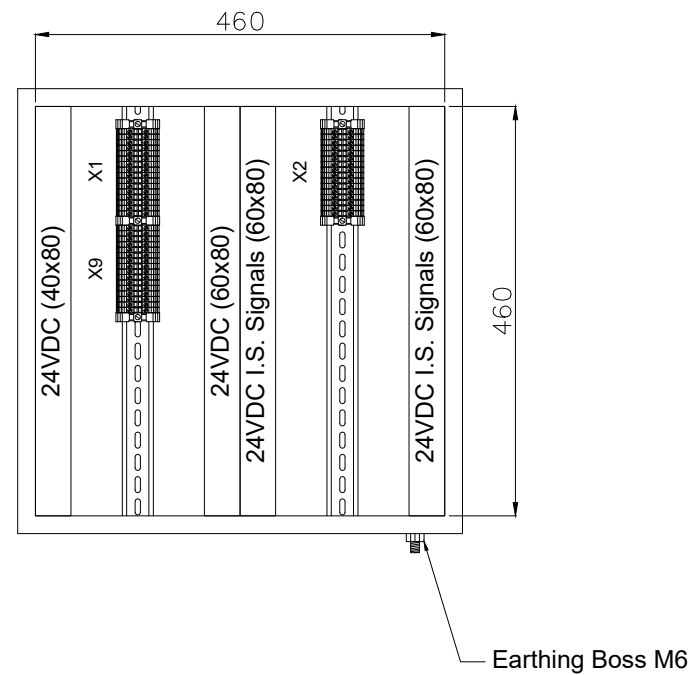
OWNER PROJECT NO.	VENDOR DWG.	MR NO.	VENDOR CODE	DISCIPLINE	UNIT	TYPE	SEQ.
3944	VD	0171	DYP	RE	400	DWG	0003
SCALE:	NONE	SIZE:	A0	SHEET NO.	31 OF 34	REV.	01

44LPS-80005C

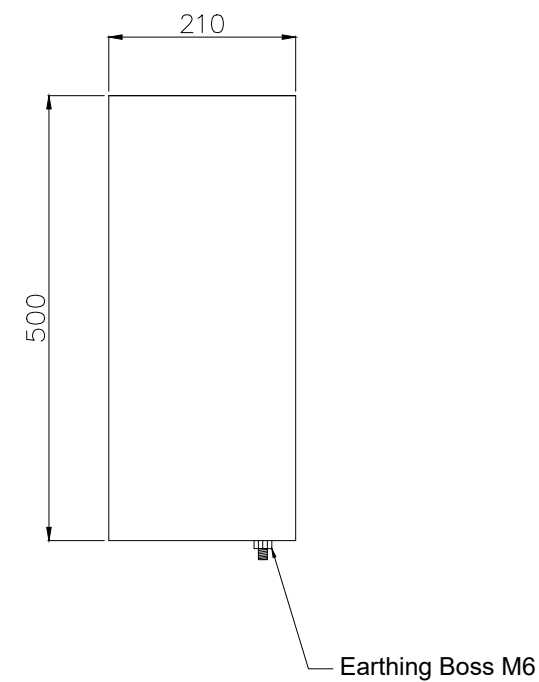
Front Side (Outside) View



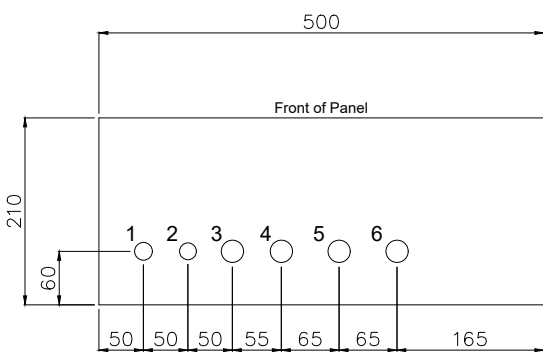
Front Side (Inside) View



Side (Outside) View



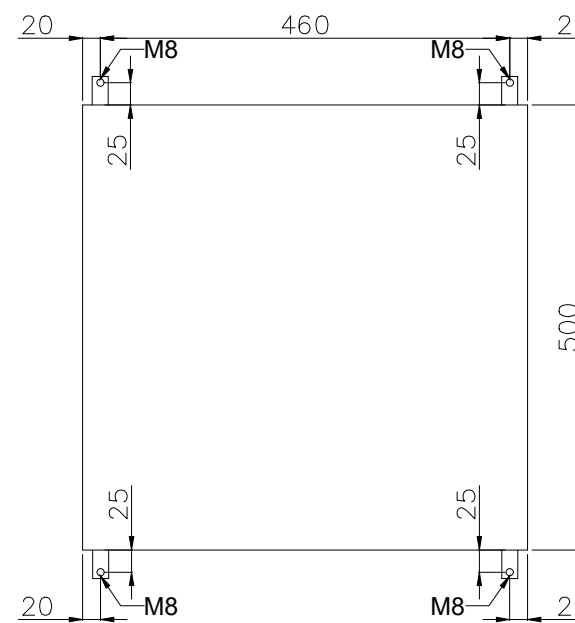
Bottom View



Gland Entry Details

1. M20 - 1x (Breather)
2. M20 - 1x (Spare)
3. M25 - 1x (Cable for Lamps)
4. M25 - 1x (Cable for Pushbuttons)
5. M25 - 1x (Cable for ESD Pushbutton)
6. M25 - 1x (Spare)

Back (Outside) View Mounting Details



GENERAL NOTES

- NOTES
1. PANEL DIMENSIONS: 500x500x210mm
 2. PANEL MATERIAL: SS316L STAINLESS STEEL
 3. PANEL COLOR: RAL7035 (GRAY)
 4. PANEL WILL BE RIGHT HINGED
 5. AREA CLASSIFICATION: Ex II 3G IIC T3 Eex'e'
 6. AMBIENT TEMPERATURE: 5°C/+48°C
 7. INGRESS PROTECTION: IP65
 8. CABLE RACEWAYS SHALL HAVE NO LESS THAN 20% SPARE CAPACITY.
 9. DIN RAIL TYPE: NS35
 10. BLUE SLOTTED CABLE TRUNKING WILL BE PROVIDED FOR INTRINSICALLY SAFE SIGNALS.
 11. SPARES WILL BE PLUGGED WITH SUS Ex PLUG
 12. GLANDS WILL BE Ex'd IP65 NICKEL PLATED BRASS TYPE GLANDS

REFERENCE DRAWINGS	DWG.No.
xxxx	xxxx

LEGEND

RESULT CODE: AP AN CO RE RESUBMISSION DATE:

NEXT STATUS: IFI IFA IFC ASB/IFIN

Approval or review hereunder shall not be construed to relieve Vendor/ Subcontractor of his responsibilities and liability under the Contract.

P.O. NO.:

M.R. NO.:

ITEM NO. (EQUIPMENT NO.):

VENDOR JOB NO.:

REV.	DATE	PURPOSE OF ISSUE (P.O.I.)	PREP.	CHKD.	APPR.	AC.
01	25/Apr/25	ISSUE FOR APPROVAL	RT	RB	SC	-
00	24/Mar/25	ISSUED FOR APPROVAL	RT	RB	SC	-

OWNER:



PROJECT:

300 KT POLYETHYLENE PLANT
ARYA SASOL POLYMER COMPANY (ASPC)

MC:



CONTRACTOR:



DRAWING TITLE:

PANEL LAYOUT DRAWING
LOCAL CONTROL PANEL 44LPS-80005C

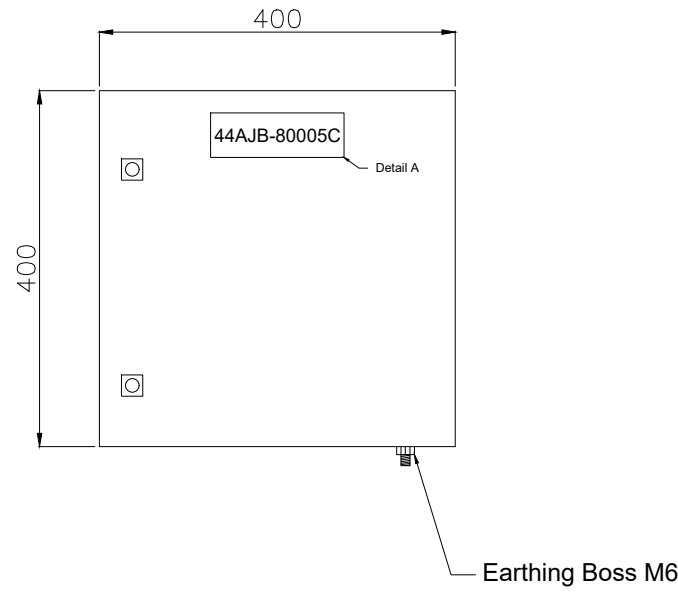
OWNER DOC. NO.

OWNER PROJECT NO.	VENDOR DWG.	MR NO.	VENDOR CODE	DISCIPLINE	UNIT	TYPE	SEQ.
3944	VD	0171	DYP	RE	400	DWG	0003

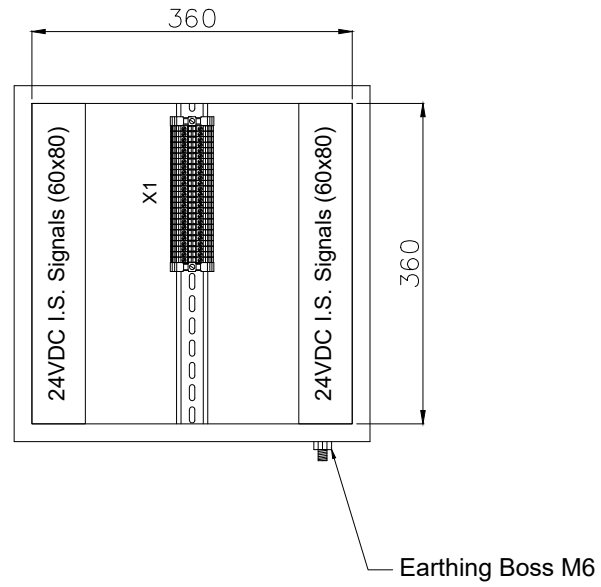
SCALE: NONE SIZE: A0 SHEET NO. 32 OF 34 REV. 01

44AJB-80005C

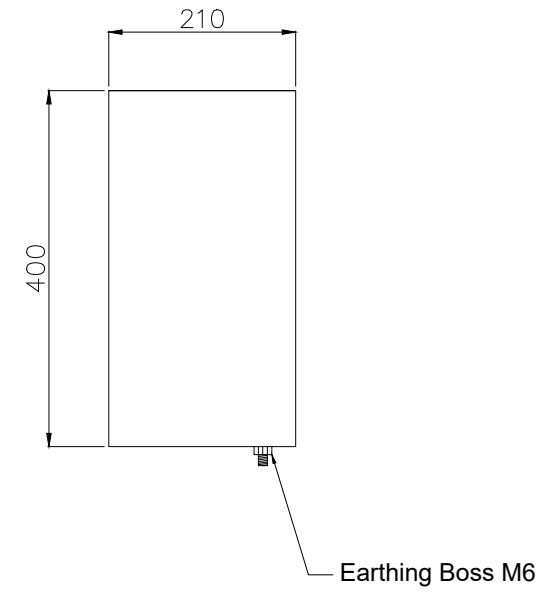
Front Side (Outside) View



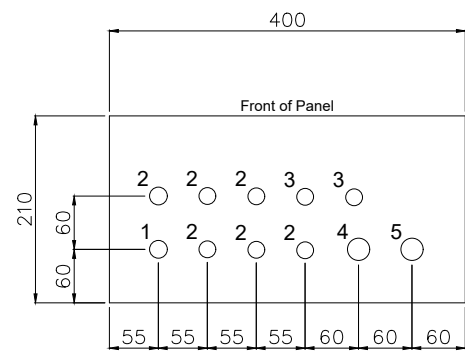
Front Side (Inside) View



Side (Outside) View



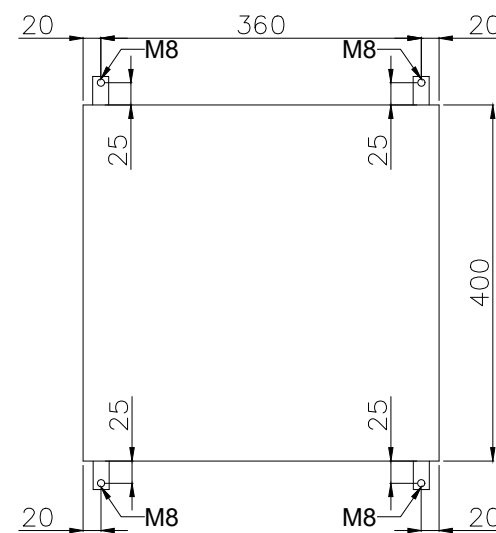
Bottom View



Gland Entry Details

1. M20 - 1x (Breather)
2. M20 - 6x (Cables from Transmitters)
3. M20 - 2x (Spare)
4. M25 - 1x (Multipair Cable from Customer)
5. M25 - 1x (Spare)

Back (Outside) View Mounting Details



GENERAL NOTES

- NOTES
1. PANEL DIMENSIONS: 400x400x210mm
 2. PANEL MATERIAL: SS316L STAINLESS STEEL
 3. PANEL COLOR: RAL5010 (BLUE)
 4. PANEL WILL BE RIGHT HINGED
 5. AREA CLASSIFICATION: Ex II 3G IIC T3 Eex'e'
 6. AMBIENT TEMPERATURE: 5°C/+48°C
 7. INGRESS PROTECTION: IP65
 8. CABLE RACEWAYS SHALL HAVE NO LESS THAN 20% SPARE CAPACITY.
 9. DIN RAIL TYPE: NS35
 10. BLUE SLOTTED CABLE TRUNKING WILL BE PROVIDED FOR INTRINSICALLY SAFE SIGNALS.
 11. SPARES WILL BE PLUGGED WITH SUS Ex PLUG
 12. GLANDS WILL BE Ex'd IP65 NICKEL PLATED BRASS TYPE GLANDS

REFERENCE DRAWINGS	DWG.No.
xxxx	xxxx

LEGEND

RESULT CODE: AP AN CO RE RESUBMISSION DATE:

NEXT STATUS: IFI IFA IAF ASB/IFIN

Approval or review hereunder shall not be construed to relieve Vendor/ Subcontractor of his responsibilities and liability under the Contract.

P.O. NO.:

M.R. NO.:

ITEM NO. (EQUIPMENT NO.):

VENDRO JOB NO.:

REV.	DATE	PURPOSE OF ISSUE (P.O.I.)	PREP.	CHKD.	APPR.	AC.
01	25/Apr/25	ISSUE FOR APPROVAL	RT	RB	SC	-
00	24/Mar/25	ISSUED FOR APPROVAL	RT	RB	SC	-

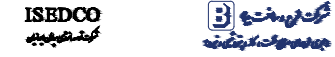
OWNER:



PROJECT:

300 KT POLYETHYLENE PLANT
ARYA SASOL POLYMER COMPANY (ASPC)

MC:



CONTRACTOR: SAZEH CONSULTANTS

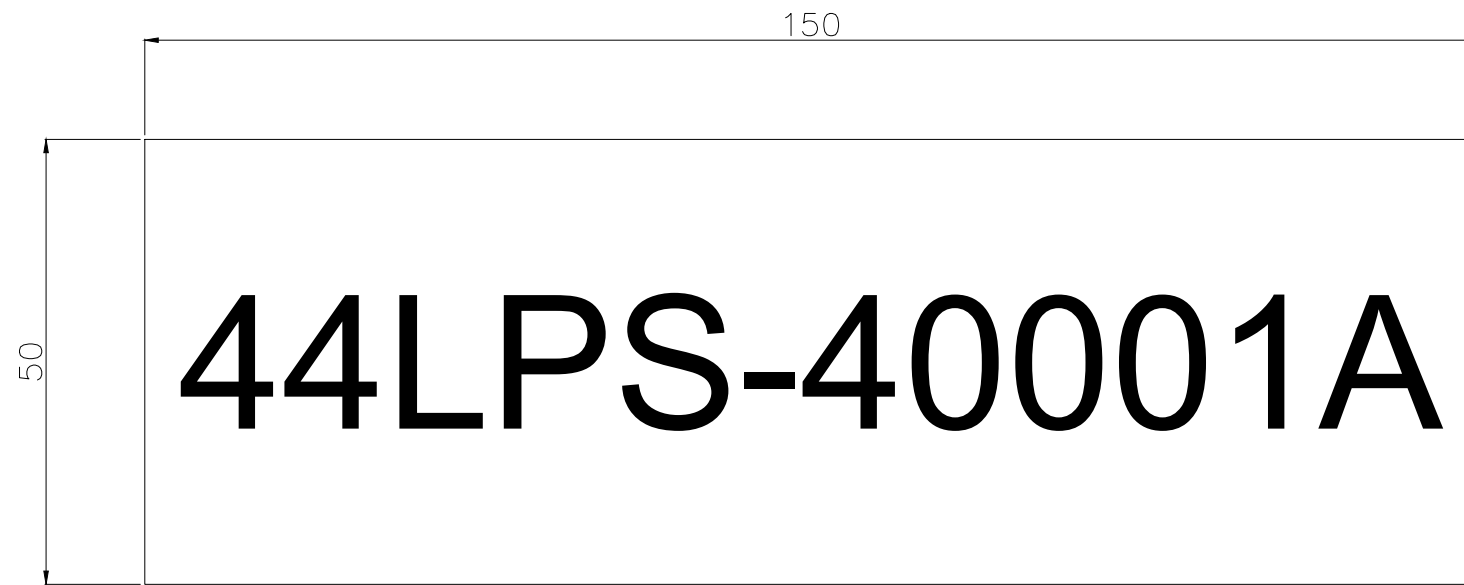


DRAWING TITLE:
PANEL LAYOUT DRAWING
LOCAL CONTROL PANEL 44AJB-80005C

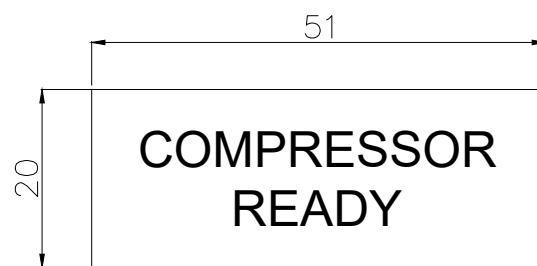
OWNER PROJECT NO.	VENDOR DWG.	MR NO.	VENDOR CODE	DISCIPLINE	UNIT	TYPE	SEQ.
3944	VD	0171	DYP	RE	400	DWG	0003

SCALE: NONE SIZE: A0 SHEET NO. 33 OF 34 REV. 01

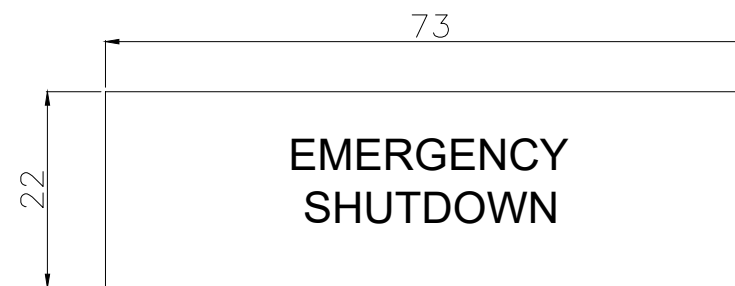
NAME PLATE DETAILS



DETAIL A
SCALE 10:1
BLACK LETTERS WITH WHITE
BACKGROUND



DETAIL B
SCALE 10:1
BLACK LETTERS WITH WHITE
BACKGROUND



DETAIL C
SCALE 10:1
BLACK LETTERS WITH WHITE
BACKGROUND

GENERAL NOTES	
NOTES	
1. NAME PLATES WILL BE MADE OF STAINLESS STEEL	
2. NAME PLATES WILL BE MOUNTED ON THE INSIDE OF THE DOOR AND ON THE OUTSIDE OF THE DOOR	
REFERENCE DRAWINGS	DWG.No.
xxxx	xxxx

LEGEND	

RESULT CODE:	<input type="checkbox"/> AP	<input type="checkbox"/> AN	<input type="checkbox"/> CO	<input type="checkbox"/> RE	RESUBMISSION DATE:
NEXT STATUS:	<input type="checkbox"/> IFI	<input type="checkbox"/> IFA	<input type="checkbox"/> AFC	<input type="checkbox"/> ASB/IFIN	

Approval or review hereunder shall not be construed to relieve Vendor/ Subcontractor of his responsibilities and liability under the Contract.

P.O. NO.:
M.R. NO.:
ITEM NO. (EQUIPMENT NO.):
VENDOR JOB NO.:

REV.	DATE	PURPOSE OF ISSUE (P.O.I.)	PREP.	CHKD.	APPR.	AC.
01	25/Apr/25	ISSUE FOR APPROVAL	RT	RB	SC	-
00	24/Mar/25	ISSUED FOR APPROVAL	RT	RB	SC	-



PROJECT:
300 KT POLYETHYLENE PLANT
ARYA SASOL POLYMER COMPANY (ASPC)



DRAWING TITLE:
PANEL LAYOUT DRAWING
LOCAL CONTROL PANEL 44AJB-80005C

OWNER PROJECT NO.	VENDOR DWG.	MR NO.	VENDOR CODE	DISCIPLINE	UNIT	TYPE	SEQ.
3944	VD	0171	DYP	RE	400	DWG	0003

SCALE: NONE SIZE: A0 SHEET NO. 34 OF 34 REV. 01