



ASPC Project



END CUSTOMER	: Arya Sasol Polymer Company
CONTRACTOR	: DYPNF Co., Ltd.
VENDOR NAME	: Airpack Netherlands BV
EQUIPMENT DESCRIPTION	: Screw Compressor & Roots Blower : Package
PURCHASE ORDER NUMBER	: PO-PC2312-08

Customer Document : 3944-VD-0171-DYP-RE-400-DWG-0003
Number

Airpack Document Number : 23383-07

Document Title : Panel Layout Drawing

Project team advise: As there is no comment on dimension, Vendor is allowed to start fabrication but please change documents based on comments in Next Revision.

DYPNF
It shall also be added for the separately installed Emergency Stop Button.

Review Code and Status		Contractor Initials/Signature	Date signed
<input type="checkbox"/>	Code 1 REJECTED - Vendor to revise and Resubmit. Work cannot proceed		
<input checked="" type="checkbox"/>	Code 2 Comments As Noted - Work May proceed, subject to compliance with and incorporation of comments		16 Oct 2025
<input type="checkbox"/>	Code 3 No Comments - Work may proceed.		
<input type="checkbox"/>	Code 4 Information only - Review not required.		

03	Issued for Approval	03-09-2025	RT	SC	JJ
02	Issued for Approval	16-07-2025	RT	SC	JJ
01	Issued for Approval	28-04-2025	RT	SC	JJ
00	Issued for Approval	25-03-2025	RT	SC	JJ
Rev. No.	Description	Date	Prepared by	Checked by	Approved by

No.	Description	Tag Number	Make	Model	Qty.
1	Running Indication Lamp (Green)	3H4	TBD	TBD	1
2	Fault Indication Lamp (Amber)	3H6	TBD	TBD	1
3	Start Pushbutton (Green)	2S4	TBD	TBD	1
4	Stop Pushbutton (Red)	2S6	TBD	TBD	1
5	Lamp Test Pushbutton (Black)	2S8	TBD	TBD	1
Terminal Strip Definition					
X1	Connection Pushbuttons & Lamps	X1	Phoenix Contact	3211760	21

INS General Comment:
Vendor to clarify why manufacturer and model numbers have been deleted in this revision?
Document can not be approved without this items.

GENERAL NOTES

NOTES
1. BILL OF MATERIALS (BOM) AS PER THE LATEST WIRING DIAGRAM.

REF DRAWINGS	DWG.No.
Wiring Diagram	3944-VD-0171-DYP-RE-400-DIA-0002
I/O List	3944-VD-0171-DYP-RE-400-LST-0080
E&I System Config Diag.	3944-VD-0171-DYP-RE-400-DIA-0078

LEGEND

RESULT CODE: AP AN CO RE

NEXT STATUS: IFI IFA AFC ASB/IFIN

Approval or review hereunder shall not be construed to relieve Vendor/ Subcontractor of his responsibilities and liability under the Contract.

P.O. NO.:
M.R. NO.:
ITEM NO. (EQUIPMENT NO.):
VENDRO JOB NO.:

REV.	DATE	PURPOSE OF ISSUE (P.O.I.)	PREP.	CHKD.	APPR.	AC.
03	26/Aug/25	ISSUED FOR APPROVAL	RT	RB	SC	--
02	16/Jul/25	ISSUED FOR APPROVAL	RT	RB	SC	--
01	25/Apr/25	ISSUED FOR APPROVAL	RT	RB	SC	--
00	24/Mar/25	ISSUED FOR APPROVAL	RT	RB	SC	--



PROJECT:
300 KT POLYETHYLENE PLANT
ARYA SASOL POLYMER COMPANY (ASPC)



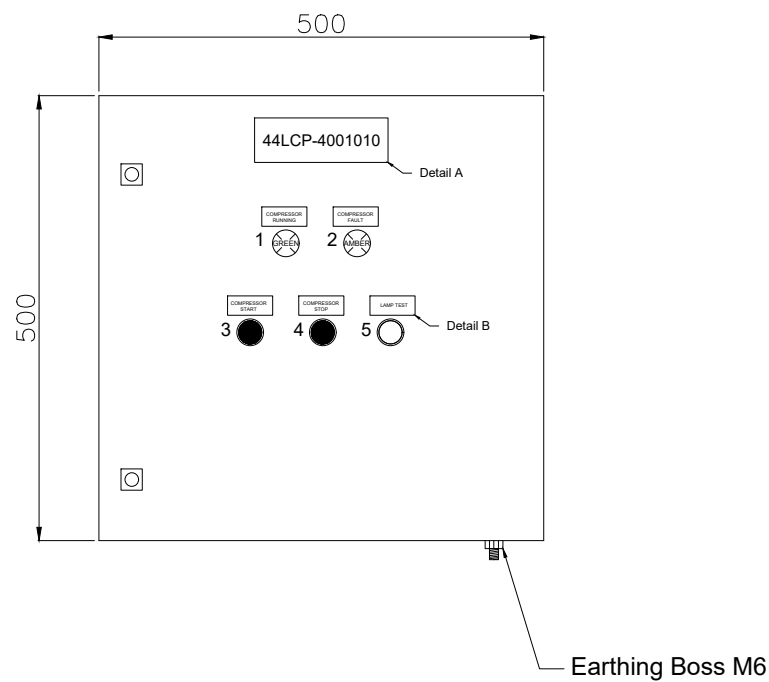
DRAWING TITLE:
PANEL LAYOUT DRAWING
BILL OF MATERIALS FOR
LOCAL CONTROL PANEL 44LCP-4001010

OWNER PROJECT NO.	VENDOR DWG.	MR NO.	VENDOR CODE	DISCIPLINE	UNIT	TYPE	SEQ.
3944	VD	0171	DYP	RE	400	DWG	0003

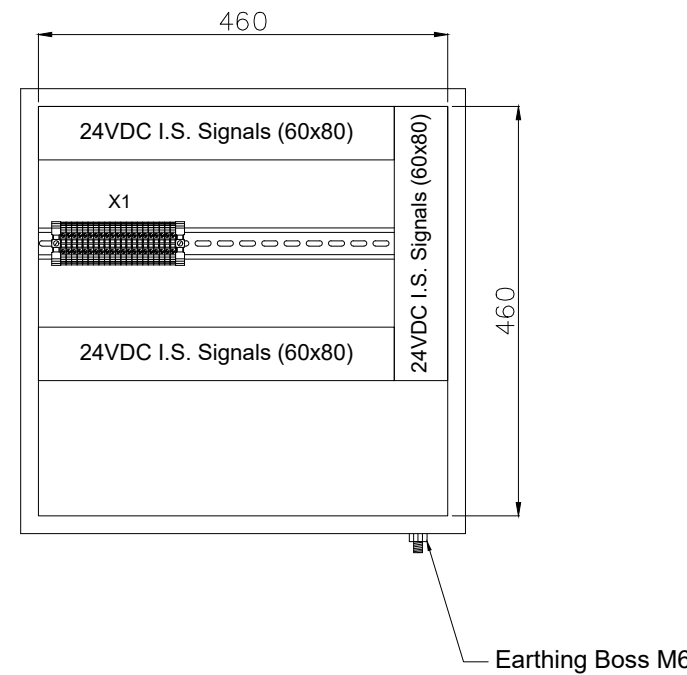
SCALE: NONE SIZE: A0 SHEET NO. 1 OF 34 REV. 03

44LCP-4001010

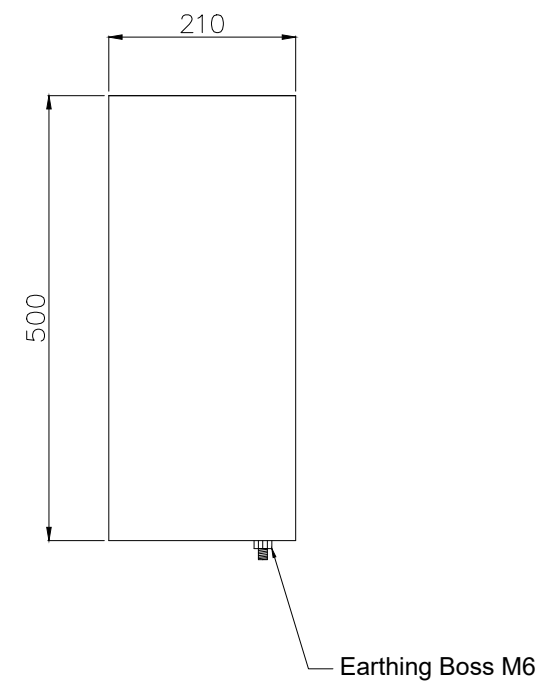
Front Side (Outside) View



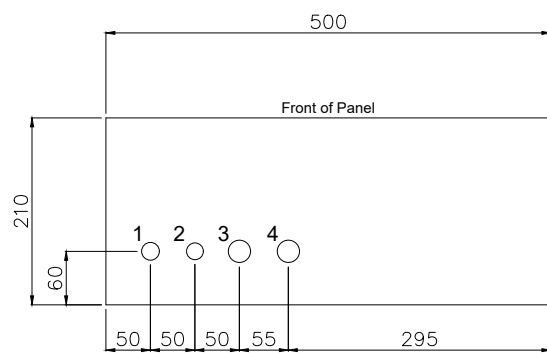
Front Side (Inside) View



Side (Outside) View



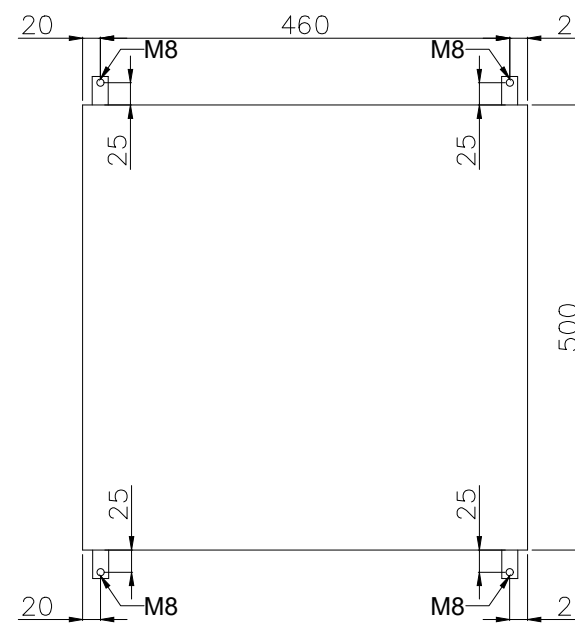
Bottom View



Gland Entry Details

1. M20 - 1x (Breather)
2. M20 - 1x (Spare)
3. M25 - 1x (Cable for Pushbuttons & Lamps)
4. M25 - 1x (Spare)

Back (Outside) View Mounting Details



GENERAL NOTES

- NOTES
1. PANEL DIMENSIONS: 500x500x210mm
 2. PANEL MATERIAL: SS316L STAINLESS STEEL
 3. PANEL COLOR: RAL5017 (BLUE)
 4. PANEL WALL THICKNESS: 1.6mm
 5. PANEL WEIGHT: ~20kg
 6. PANEL WILL BE RIGHT HINGED
 7. AREA CLASSIFICATION: Ex II 3G IIC T3 Eex'e'
 8. AMBIENT TEMPERATURE: 5°C/+48°C
 9. INGRESS PROTECTION: IP65
 10. CABLE RACEWAYS SHALL HAVE NO LESS THAN 20% SPARE CAPACITY.
 11. DIN RAIL TYPE: NS35
 12. BLUE SLOTTED CABLE TRUNKING WILL BE PROVIDED FOR INTRINSICALLY SAFE SIGNALS.
 13. SPARES WILL BE PLUGGED WITH SUS Ex PLUG
 14. GLANDS WILL BE Ex'd IP65 NICKEL PLATED BRASS TYPE GLANDS
 15. ALL DIMENSIONS IN mm.
 16. EXTERNAL EARTH BOLT AND RELATED PARTS ARE ALL COPPER.
 17. INDICATION LAMP VOLTAGE: 24VDC

REF DRAWINGS	DWG.No.
Wiring Diagram	3944-VD-0171-DYP-RE-400-DIA-0002
I/O List	3944-VD-0171-DYP-RE-400-LST-0080
E&I System Config Diag.	3944-VD-0171-DYP-RE-400-DIA-0078

LEGEND

RESULT CODE: AP AN CO RE RESUBMISSION DATE:

NEXT STATUS: IFI IFA JAF ASB/IFIN

Approval or review hereunder shall not be construed to relieve Vendor/ Subcontractor of his responsibilities and liability under the Contract.

P.O. NO.:

M.R. NO.:

ITEM NO. (EQUIPMENT NO.):

VENDOR JOB NO.:

REV.	DATE	PURPOSE OF ISSUE (P.O.I.)	PREP.	CHKD.	APPR.	AC.
03	26/Aug/25	ISSUED FOR APPROVAL	RT	RB	SC	-
02	16/Jul/25	ISSUED FOR APPROVAL	RT	RB	SC	-
01	25/Apr/25	ISSUED FOR APPROVAL	RT	RB	SC	-
00	24/Mar/25	ISSUED FOR APPROVAL	RT	RB	SC	-

OWNER:



PROJECT:

300 KT POLYETHYLENE PLANT
ARYA SASOL POLYMER COMPANY (ASPC)

MC:

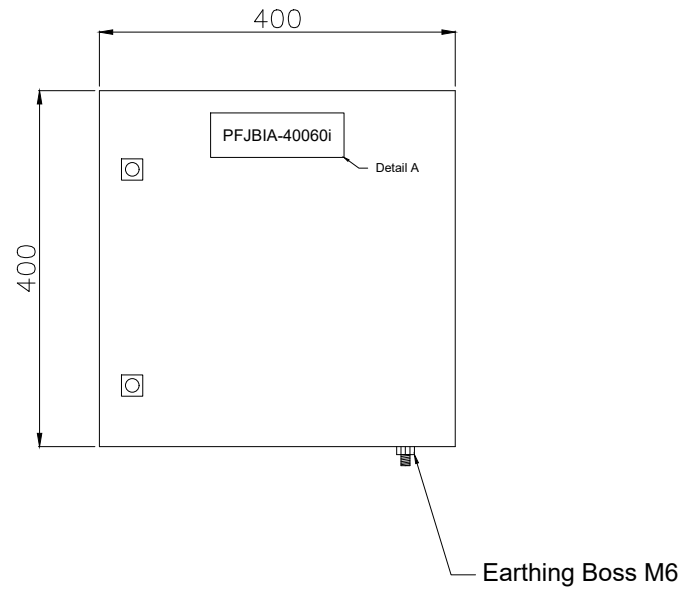


DRAWING TITLE:
PANEL LAYOUT DRAWING
LOCAL CONTROL PANEL 44LCP-4001010

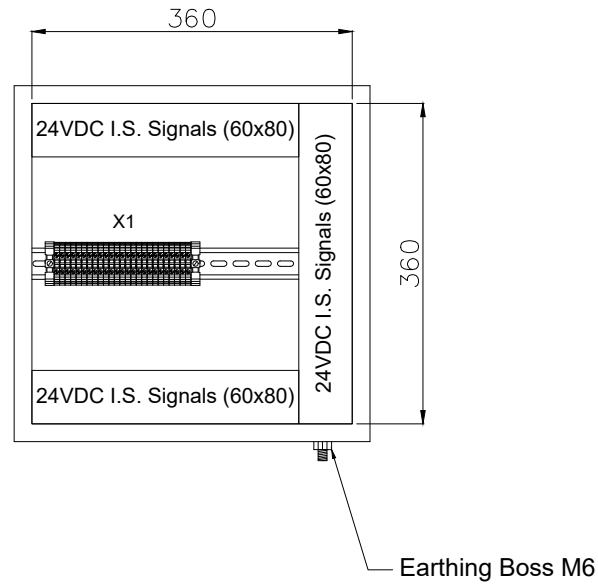
OWNER PROJECT NO.	VENDOR DWG.	MR NO.	VENDOR CODE	DISCIPLINE	UNIT	TYPE	SEQ.
3944	VD	0171	DYP	RE	400	DWG	0003
SCALE: NONE	SIZE: A0	SHEET NO. 2	OF 34	REV. 03			

PFJBIA-40060i

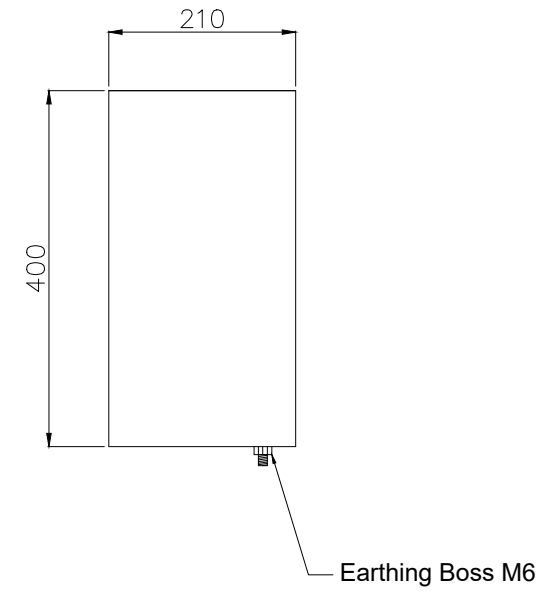
Front Side (Outside) View



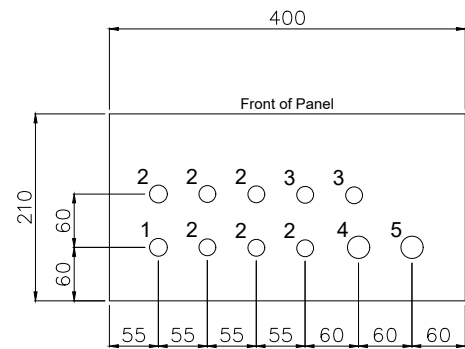
Front Side (Inside) View



Side (Outside) View



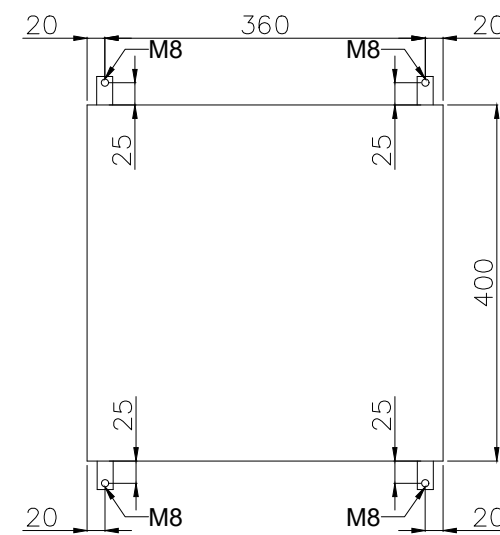
Bottom View



Gland Entry Details

1. M20 - 1x (Breather)
2. M20 - 6x (Cables from Transmitters)
3. M20 - 2x (Spare)
4. M25 - 1x (Multipair Cable from Customer)
5. M25 - 1x (Spare)

Back (Outside) View Mounting Details



GENERAL NOTES

- NOTES
1. PANEL DIMENSIONS: 400x400x210mm
 2. PANEL MATERIAL: SS316L STAINLESS STEEL
 3. PANEL COLOR: RAL5017 (BLUE)
 4. PANEL WALL THICKNESS: 1.6mm
 5. PANEL WEIGHT: ~15Kg
 6. PANEL WILL BE RIGHT HINGED
 7. AREA CLASSIFICATION: Ex II 3G IIC T3 Eex'e'
 8. AMBIENT TEMPERATURE: 5°C/+48°C
 9. INGRESS PROTECTION: IP65
 10. CABLE RACEWAYS SHALL HAVE NO LESS THAN 20% SPARE CAPACITY.
 11. DIN RAIL TYPE: NS35
 12. BLUE SLOTTED CABLE TRUNKING WILL BE PROVIDED FOR INTRINSICALLY SAFE SIGNALS.
 13. SPARES WILL BE PLUGGED WITH SUS Ex PLUG
 14. GLANDS WILL BE Ex d IP65 NICKEL PLATED BRASS TYPE GLANDS
 15. ALL DIMENSIONS IN mm.
 16. EXTERNAL EARTH BOLT AND RELATED PARTS ARE ALL COPPER.

REF DRAWINGS	DWG.No.
Wiring Diagram	3944-VD-0171-DYP-RE-400-DIA-0002
I/O List	3944-VD-0171-DYP-RE-400-LST-0080
E&I System Config Diag.	3944-VD-0171-DYP-RE-400-DIA-0078

LEGEND

RESULT CODE: AP AN CO RE RESUBMISSION DATE:

NEXT STATUS: IFI IFA JAF ASB/IFIN

Approval or review hereunder shall not be construed to relieve Vendor/ Subcontractor of his responsibilities and liability under the Contract.

P.O. NO.:

M.R. NO.:

ITEM NO. (EQUIPMENT NO.):

VENDRO JOB NO.:

REV.	DATE	PURPOSE OF ISSUE (P.O.I.)	PREP.	CHKD.	APPR.	AC.
03	26/Aug/25	ISSUED FOR APPROVAL	RT	RB	SC	-
02	16/Jul/25	ISSUED FOR APPROVAL	RT	RB	SC	-
01	25/Apr/25	ISSUED FOR APPROVAL	RT	RB	SC	-
00	24/Mar/25	ISSUED FOR APPROVAL	RT	RB	SC	-

OWNER:



PROJECT:

300 KT POLYETHYLENE PLANT
ARYA SASOL POLYMER COMPANY (ASPC)

MC:



CONTRACTOR:



VENDOR:



DRAWING TITLE:
PANEL LAYOUT DRAWING
LOCAL CONTROL PANEL PFJBIA-40060i

OWNER PROJECT NO.	VENDOR DWG.	MR NO.	VENDOR CODE	DISCIPLINE	UNIT	TYPE	SEQ.
3944	VD	0171	DYP	RE	400	DWG	0003
SCALE:	NONE	SIZE:	A0	SHEET NO.	3 OF 34	REV.	03


No.	Description	Tag Number	Make	Model	Qty.
1	Running Indication Lamp (Green)	3H4	TBD	TBD	1
2	Fault Indication Lamp (Amber)	3H6	TBD	TBD	1
3	Start Pushbutton (Green)	2S4	TBD	TBD	1
4	Stop Pushbutton (Red)	2S6	TBD	TBD	1
5	Lamp Test Pushbutton (Black)	2S8	TBD	TBD	1
Terminal Strip Definition					
X1	Connection Pushbuttons & Lamps	X1	Phoenix Contact	3211760	21

GENERAL NOTES	
NOTES 1. BILL OF MATERIALS (BOM) AS PER THE LATEST WIRING DIAGRAM.	
REF DRAWINGS	DWG.No.
Wiring Diagram	3944-VD-0171-DYP-RE-400-DIA-0002
I/O List	3944-VD-0171-DYP-RE-400-LST-0080
E&I System Config Diag.	3944-VD-0171-DYP-RE-400-DIA-0078

LEGEND	

RESULT CODE:	<input type="checkbox"/> AP	<input type="checkbox"/> AN	<input type="checkbox"/> CO	<input type="checkbox"/> RE	RESUBMISSION DATE:	
NEXT STATUS:	<input type="checkbox"/> IFI	<input type="checkbox"/> IFA	<input type="checkbox"/> AFC	<input type="checkbox"/> ASB/IFIN		
Approval or review hereunder shall not be construed to relieve Vendor/ Subcontractor of his responsibilities and liability under the Contract.						
P.O. NO.:						
M.R. NO.:						
ITEM NO. (EQUIPMENT NO.):						
VENDRO JOB NO.:						
REV.	DATE	PURPOSE OF ISSUE (P.O.I.)	PREP.	CHKD.	APPR.	AC.
03	26/Aug/25	ISSUED FOR APPROVAL	RT	RB	SC	--
02	16/Jul/25	ISSUED FOR APPROVAL	RT	RB	SC	--
01	25/Apr/25	ISSUED FOR APPROVAL	RT	RB	SC	--
00	24/Mar/25	ISSUED FOR APPROVAL	RT	RB	SC	--



OWNER:





PROJECT:

300 KT POLYETHYLENE PLANT
ARYA SASOL POLYMER COMPANY (ASPC)


MC:

CONTRACTOR:

VENDOR:

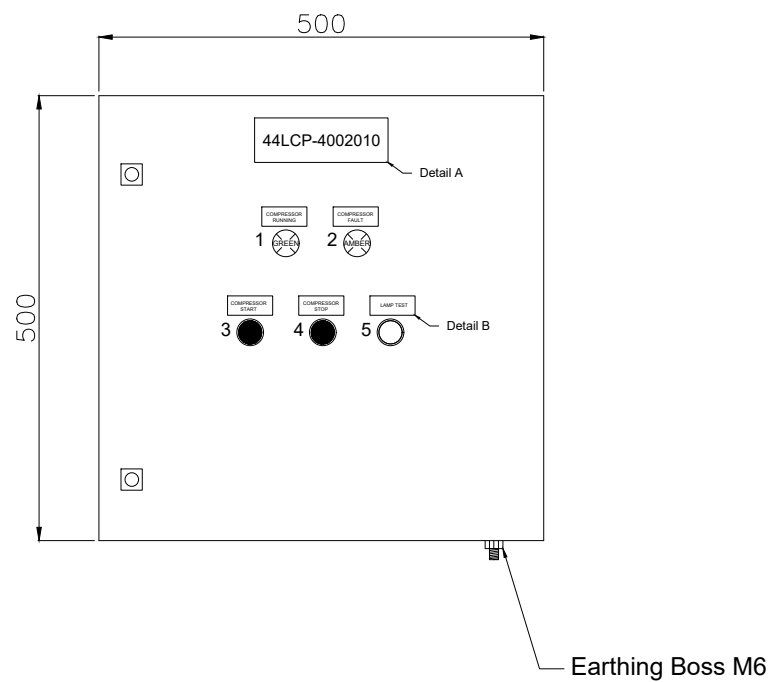


DRAWING TITLE:									
PANEL LAYOUT DRAWING BILL OF MATERIALS FOR LOCAL CONTROL PANEL 44LCP-4002010									
OWNER DOC. NO.									
OWNER PROJECT NO.	VENDOR DWG.	MR NO.	VENDOR CODE	DISCIPLINE	UNIT	TYPE	SEQ.		
3944	VD	0171	DYP	RE	400	DWG	0003		
SCALE:	NONE	SIZE:	A0	SHEET NO.	4	OF 34	REV.	03	

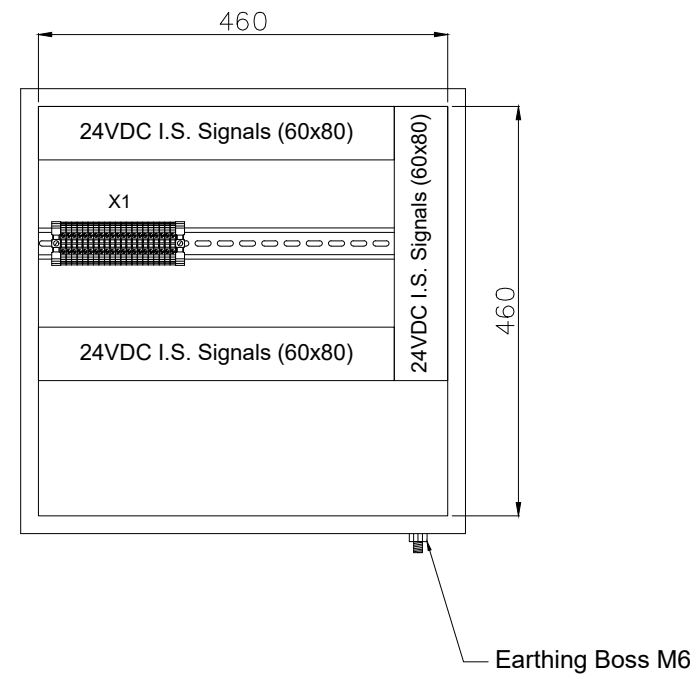
THIS DOCUMENT WITH ALL ITS RIGHTS IS THE PROPERTY OF A.S.P.C. AND MUST BE HELD IN CONFIDENCE. NO DISCLOSURE, REPRODUCTION OR OTHER USE OF THE DOCUMENT IN WHOLE OR A PORTIONS TO BE MADE WITHOUT THE PRIOR CONSENT OF A.S.P.C.

44LCP-4002010

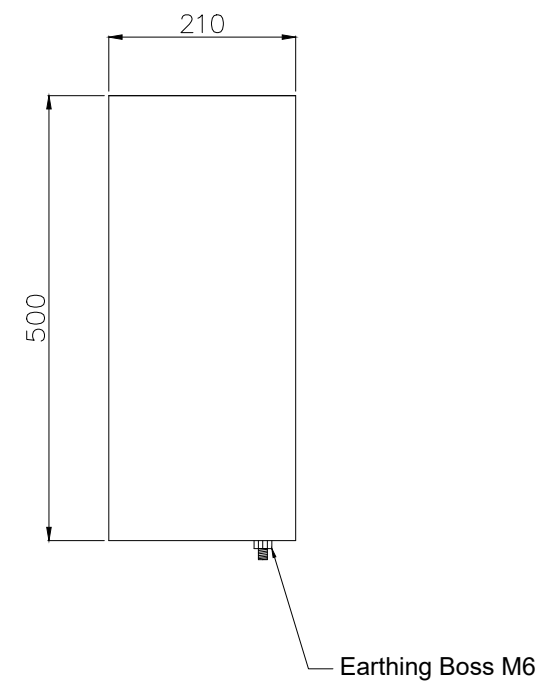
Front Side (Outside) View



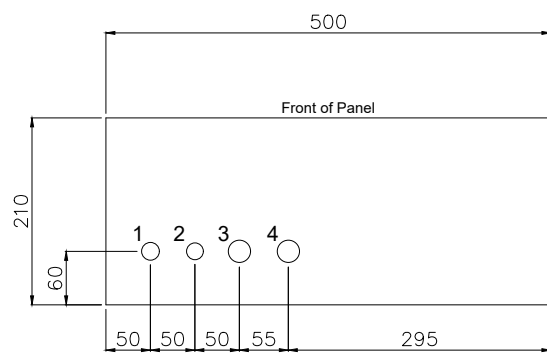
Front Side (Inside) View



Side (Outside) View



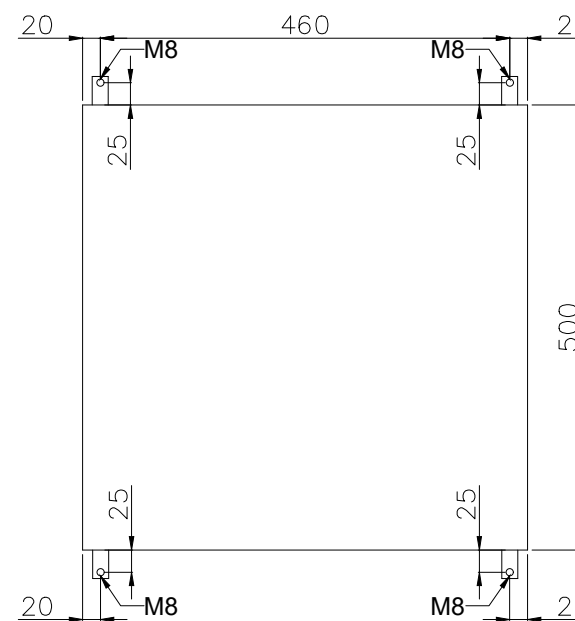
Bottom View



Gland Entry Details

1. M20 - 1x (Breather)
2. M20 - 1x (Spare)
3. M25 - 1x (Cable for Pushbuttons & Lamps)
4. M25 - 1x (Spare)

Back (Outside) View Mounting Details



GENERAL NOTES

- NOTES
1. PANEL DIMENSIONS: 500x500x210mm
 2. PANEL MATERIAL: SS316L STAINLESS STEEL
 3. PANEL COLOR: RAL5017 (BLUE)
 4. PANEL WALL THICKNESS: 1.6mm
 5. PANEL WEIGHT: ~20Kg
 6. PANEL WILL BE RIGHT HINGED
 7. AREA CLASSIFICATION: Ex II 3G IIC T3 Eex'e'
 8. AMBIENT TEMPERATURE: 5°C/+48°C
 9. INGRESS PROTECTION: IP65
 10. CABLE RACEWAYS SHALL HAVE NO LESS THAN 20% SPARE CAPACITY.
 11. DIN RAIL TYPE: NS35
 12. BLUE SLOTTED CABLE TRUNKING WILL BE PROVIDED FOR INTRINSICALLY SAFE SIGNALS.
 13. SPARES WILL BE PLUGGED WITH SUS Ex PLUG
 14. GLANDS WILL BE Ex'd IP65 NICKEL PLATED BRASS TYPE GLANDS
 15. ALL DIMENSIONS IN mm.
 16. EXTERNAL EARTH BOLT AND RELATED PARTS ARE ALL COPPER.
 17. INDICATION LAMP VOLTAGE: 24VDC

REF DRAWINGS	DWG.No.
Wiring Diagram	3944-VD-0171-DYP-RE-400-DIA-0002
I/O List	3944-VD-0171-DYP-RE-400-LST-0080
E&I System Config Diag.	3944-VD-0171-DYP-RE-400-DIA-0078

LEGEND

RESULT CODE: AP AN CO RE RESUBMISSION DATE:

NEXT STATUS: IFI IFA JAF ASB/IFIN

Approval or review hereunder shall not be construed to relieve Vendor/ Subcontractor of his responsibilities and liability under the Contract.

P.O. NO.:

M.R. NO.:

ITEM NO. (EQUIPMENT NO.):

VENDOR JOB NO.:

REV.	DATE	PURPOSE OF ISSUE (P.O.I.)	PREP.	CHKD.	APPR.	AC.
03	26/Aug/25	ISSUED FOR APPROVAL	RT	RB	SC	-
02	16/Jul/25	ISSUED FOR APPROVAL	RT	RB	SC	-
01	25/Apr/25	ISSUED FOR APPROVAL	RT	RB	SC	-
00	24/Mar/25	ISSUED FOR APPROVAL	RT	RB	SC	-

OWNER:



PROJECT:
300 KT POLYETHYLENE PLANT
ARYA SASOL POLYMER COMPANY (ASPC)

MC:
ISEDCO
گروه صنعتی ایزدکو

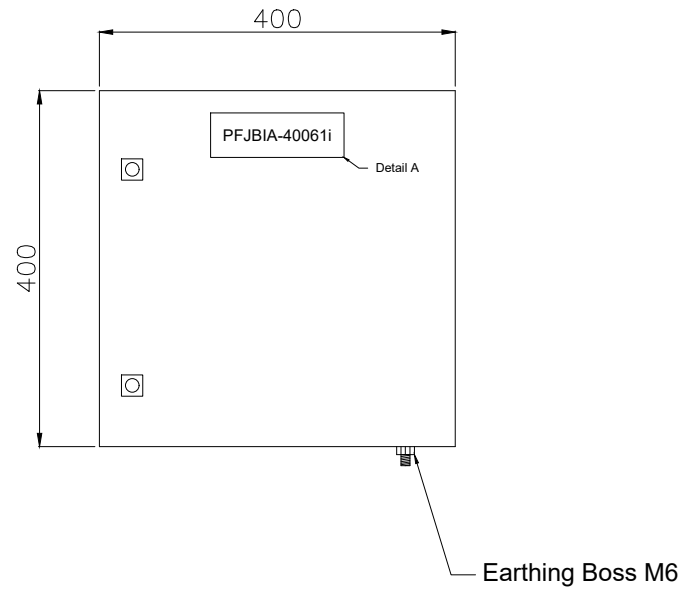
CONTRACTOR: SAZEH CONSULTANTS
VENDOR: DYPNF

DRAWING TITLE:
PANEL LAYOUT DRAWING
LOCAL CONTROL PANEL 44LCP-4002010

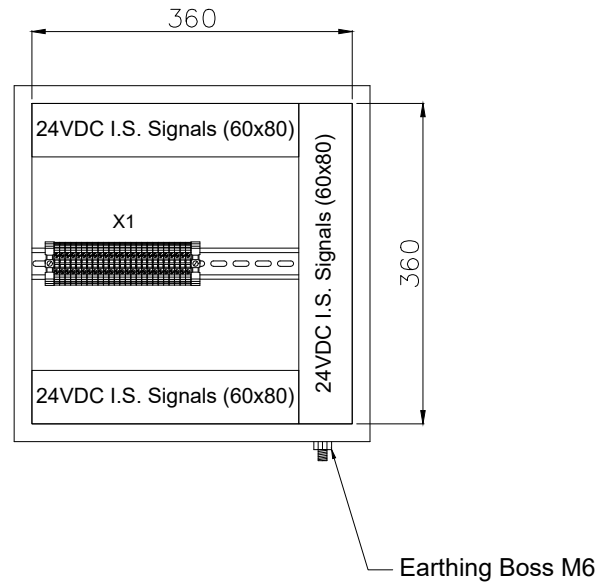
OWNER PROJECT NO.	VENDOR DWG.	MR NO.	VENDOR CODE	DISCIPLINE	UNIT	TYPE	SEQ.
3944	VD	0171	DYP	RE	400	DWG	0003
SCALE:	NONE	SIZE:	A0	SHEET NO.	5 OF 34	REV.	03

PFJBIA-40061i

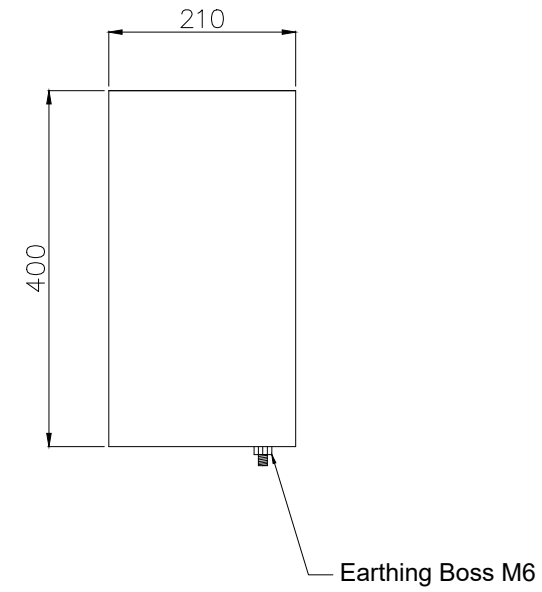
Front Side (Outside) View



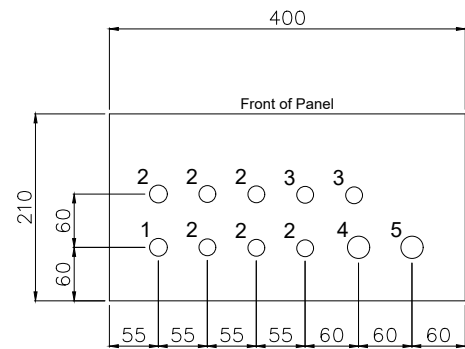
Front Side (Inside) View



Side (Outside) View



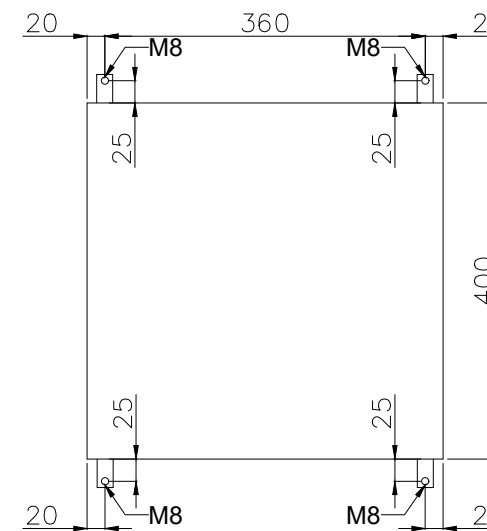
Bottom View



Gland Entry Details

1. M20 - 1x (Breather)
2. M20 - 6x (Cables from Transmitters)
3. M20 - 2x (Spare)
4. M25 - 1x (Multipair Cable from Customer)
5. M25 - 1x (Spare)

Back (Outside) View Mounting Details



GENERAL NOTES

- NOTES
1. PANEL DIMENSIONS: 400x400x210mm
 2. PANEL MATERIAL: SS316L STAINLESS STEEL
 3. PANEL COLOR: RAL5017 (BLUE)
 4. PANEL WALL THICKNESS: 1.6mm
 5. PANEL WEIGHT: ~15Kg
 6. PANEL WILL BE RIGHT HINGED
 7. AREA CLASSIFICATION: Ex II 3G IIC T3 Eex'e'
 8. AMBIENT TEMPERATURE: 5°C/+48°C
 9. INGRESS PROTECTION: IP65
 10. CABLE RACEWAYS SHALL HAVE NO LESS THAN 20% SPARE CAPACITY.
 11. DIN RAIL TYPE: NS35
 12. BLUE SLOTTED CABLE TRUNKING WILL BE PROVIDED FOR INTRINSICALLY SAFE SIGNALS.
 13. SPARES WILL BE PLUGGED WITH SUS Ex PLUG
 14. GLANDS WILL BE Ex d IP65 NICKEL PLATED BRASS TYPE GLANDS
 15. ALL DIMENSIONS IN mm.
 16. EXTERNAL EARTH BOLT AND RELATED PARTS ARE ALL COPPER.

REF DRAWINGS	DWG.No.
Wiring Diagram	3944-VD-0171-DYP-RE-400-DIA-0002
I/O List	3944-VD-0171-DYP-RE-400-LST-0080
E&I System Config Diag.	3944-VD-0171-DYP-RE-400-DIA-0078

LEGEND

RESULT CODE: AP AN CO RE RESUBMISSION DATE:

NEXT STATUS: IFI IFA JAF ASB/IFIN

Approval or review hereunder shall not be construed to relieve Vendor/ Subcontractor of his responsibilities and liability under the Contract.

P.O. NO.:

M.R. NO.:

ITEM NO. (EQUIPMENT NO.):

VENDRO JOB NO.:

REV.	DATE	PURPOSE OF ISSUE (P.O.I.)	PREP.	CHKD.	APPR.	AC.
03	26/Aug/25	ISSUED FOR APPROVAL	RT	RB	SC	-
02	16/Jul/25	ISSUED FOR APPROVAL	RT	RB	SC	-
01	25/Apr/25	ISSUED FOR APPROVAL	RT	RB	SC	-
00	24/Mar/25	ISSUED FOR APPROVAL	RT	RB	SC	-

OWNER:



PROJECT:

300 KT POLYETHYLENE PLANT
ARYA SASOL POLYMER COMPANY (ASPC)

MC:



CONTRACTOR:



VENDOR:



DRAWING TITLE:
PANEL LAYOUT DRAWING
LOCAL CONTROL PANEL PFJBIA-40061i

OWNER PROJECT NO.	VENDOR DWG.	MR NO.	VENDOR CODE	DISCIPLINE	UNIT	TYPE	SEQ.
3944	VD	0171	DYP	RE	400	DWG	0003
SCALE:	NONE	SIZE:	A0	SHEET NO.	6 OF 34	REV.	03

No.	Description	Tag Number	Make	Model	Qty.
1	Running Indication Lamp (Green)	3H4	TBD	TBD	1
2	Fault Indication Lamp (Amber)	3H6	TBD	TBD	1
3	Start Pushbutton (Green)	2S4	TBD	TBD	1
4	Stop Pushbutton (Red)	2S6	TBD	TBD	1
5	Lamp Test Pushbutton (Black)	2S8	TBD	TBD	1
Terminal Strip Definition					
X1	Connection Pushbuttons & Lamps	X1	Phoenix Contact	3211760	21

GENERAL NOTES

NOTES
1. BILL OF MATERIALS (BOM) AS PER THE LATEST WIRING DIAGRAM.

REF DRAWINGS	DWG.No.
Wiring Diagram	3944-VD-0171-DYP-RE-400-DIA-0002
I/O List	3944-VD-0171-DYP-RE-400-LST-0080
E&I System Config Diag.	3944-VD-0171-DYP-RE-400-DIA-0078

LEGEND

RESULT CODE: AP AN CO RE
 NEXT STATUS: IFI IFA AFC ASB/IFIN

Approval or review hereunder shall not be construed to relieve Vendor/ Subcontractor of his responsibilities and liability under the Contract.

P.O. NO.:
 M.R. NO.:
 ITEM NO. (EQUIPMENT NO.):
 VENDRO JOB NO.:

REV.	DATE	PURPOSE OF ISSUE (P.O.I.)	PREP.	CHKD.	APPR.	AC.
03	26/Aug/25	ISSUED FOR APPROVAL	RT	RB	SC	--
02	16/Jul/25	ISSUED FOR APPROVAL	RT	RB	SC	--
01	25/Apr/25	ISSUED FOR APPROVAL	RT	RB	SC	--
00	24/Mar/25	ISSUED FOR APPROVAL	RT	RB	SC	--

OWNER:


PROJECT:
 300 KT POLYETHYLENE PLANT
 ARYA SASOL POLYMER COMPANY (ASPC)

MC:
 

CONTRACTOR:
 

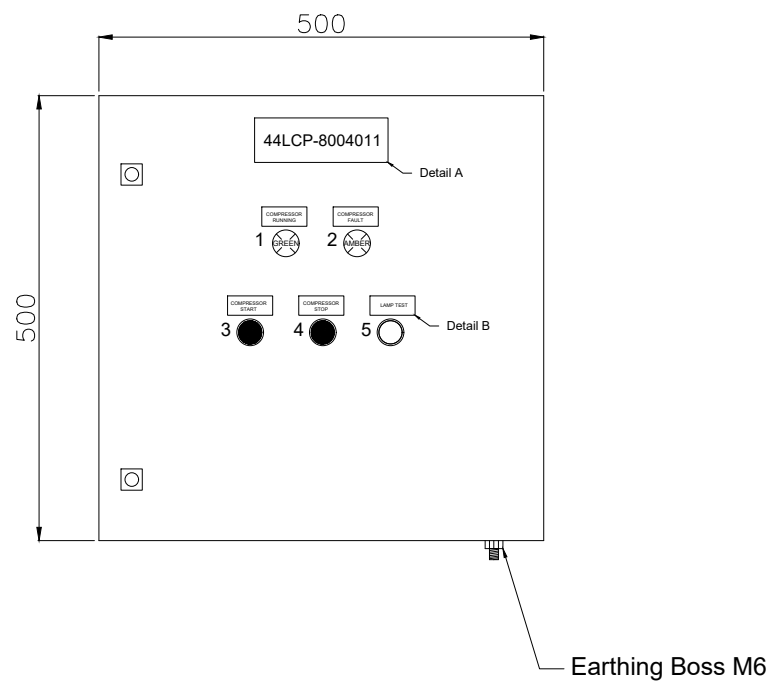
VENDOR:


DRAWING TITLE:
 PANEL LAYOUT DRAWING
 BILL OF MATERIALS FOR
 LOCAL CONTROL PANEL 44LCP-8004011

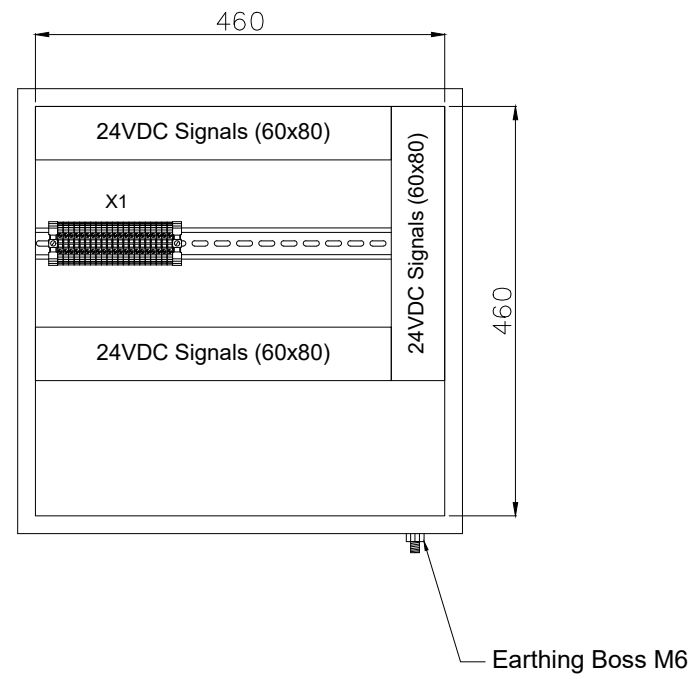
OWNER	PROJECT NO.	VENDOR DWG.	MR NO.	VENDOR CODE	DISCIPLINE	UNIT	TYPE	SEQ.
3944	VD	0171	DYP	RE	400	DWG	0003	
SCALE:	NONE	SIZE:	A0	SHEET NO.	7 OF 34	REV.	03	

44LCP-8004011

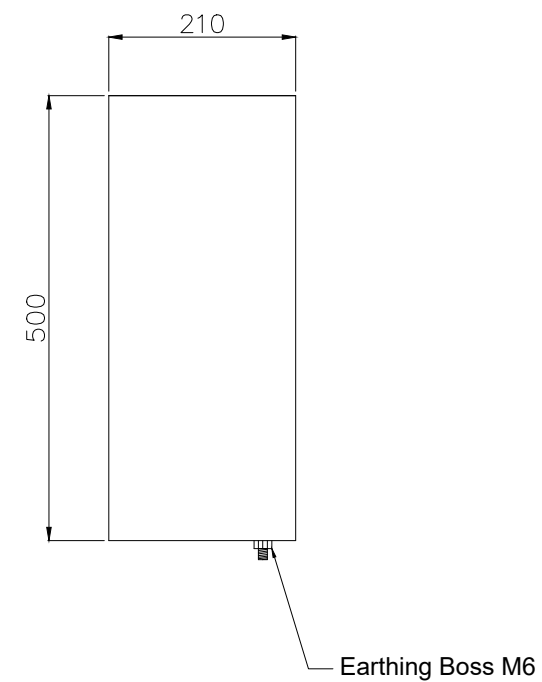
Front Side (Outside) View



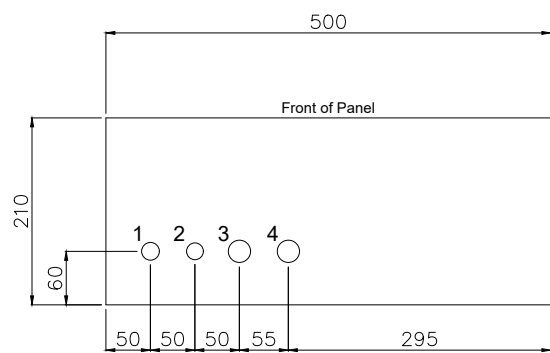
Front Side (Inside) View



Side (Outside) View



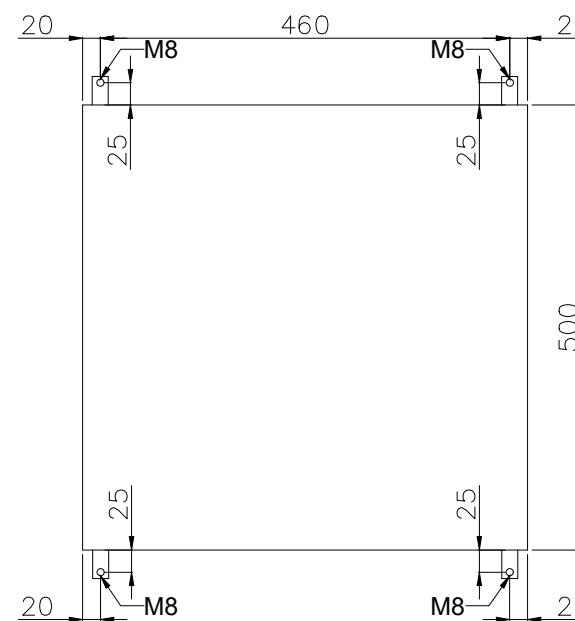
Bottom View



Gland Entry Details

1. M20 - 1x (Breather)
2. M20 - 1x (Spare)
3. M25 - 1x (Cable for Pushbuttons & Lamps)
4. M25 - 1x (Spare)

Back (Outside) View Mounting Details



GENERAL NOTES

- NOTES
1. PANEL DIMENSIONS: 500x500x210mm
 2. PANEL MATERIAL: SS316L STAINLESS STEEL
 3. PANEL COLOR: RAL7032 (GRAY)
 4. PANEL WALL THICKNESS: 1.6mm
 5. PANEL WEIGHT: ~20kg
 6. PANEL WILL BE RIGHT HINGED
 7. AREA CLASSIFICATION: Ex II 3G IIC T3 Eex'e'
 8. AMBIENT TEMPERATURE: 5°C/+48°C
 9. INGRESS PROTECTION: IP65
 10. CABLE RACEWAYS SHALL HAVE NO LESS THAN 20% SPARE CAPACITY.
 11. DIN RAIL TYPE: NS35
 12. SPARES WILL BE PLUGGED WITH SUS Ex PLUG
 13. GLANDS WILL BE Ex'd IP65 NICKEL PLATED BRASS TYPE GLANDS
 14. ALL DIMENSIONS IN mm.
 15. EXTERNAL EARTH BOLT AND RELATED PARTS ARE ALL COPPER.
 16. INDICATION LAMP VOLTAGE: 24VDC

REF DRAWINGS	DWG.No.
Wiring Diagram	3944-VD-0171-DYP-RE-400-DIA-0002
I/O List	3944-VD-0171-DYP-RE-400-LST-0080
E&I System Config Diag.	3944-VD-0171-DYP-RE-400-DIA-0078

LEGEND

RESULT CODE: AP AN CO RE RESUBMISSION DATE:

NEXT STATUS: IFI IFA JAF ASB/IFIN

Approval or review hereunder shall not be construed to relieve Vendor/ Subcontractor of his responsibilities and liability under the Contract.

P.O. NO.:

M.R. NO.:

ITEM NO. (EQUIPMENT NO.):

VENDOR JOB NO.:

REV.	DATE	PURPOSE OF ISSUE (P.O.I.)	PREP.	CHKD.	APPR.	AC.
03	26/Aug/25	ISSUED FOR APPROVAL		RT	RB	SC
02	16/Jul/25	ISSUED FOR APPROVAL		RT	RB	SC
01	25/Apr/25	ISSUED FOR APPROVAL		RT	RB	SC
00	24/Mar/25	ISSUED FOR APPROVAL		RT	RB	SC

OWNER:



PROJECT:

300 KT POLYETHYLENE PLANT
ARYA SASOL POLYMER COMPANY (ASPC)

MC:



CONTRACTOR:



VENDOR:



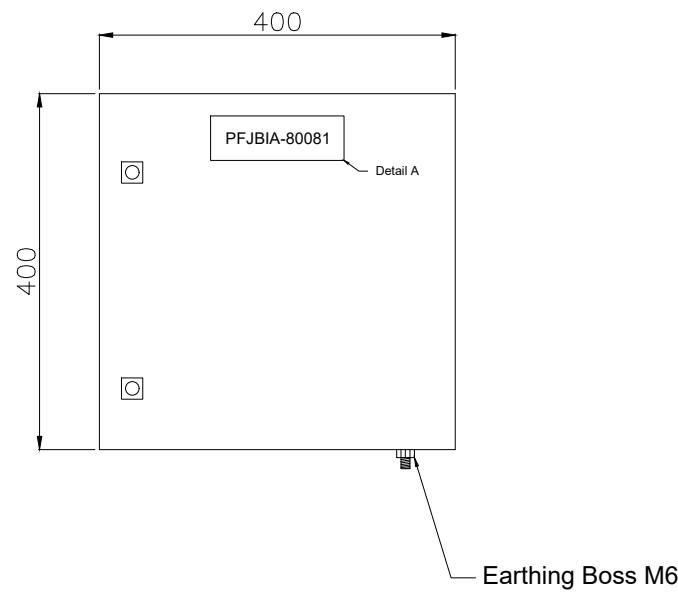
DRAWING TITLE:

PANEL LAYOUT DRAWING
LOCAL CONTROL PANEL 44LCP-8004011

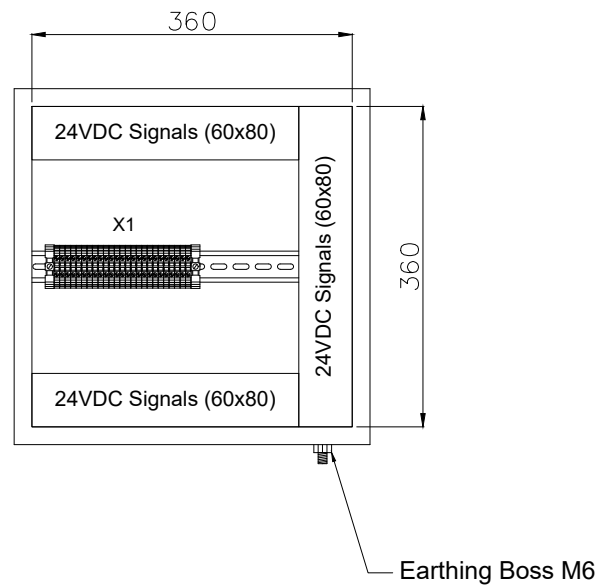
OWNER PROJECT NO.	VENDOR DWG.	MR NO.	VENDOR CODE	DISCIPLINE	UNIT	TYPE	SEQ.
3944	VD	0171	DYP	RE	400	DWG	0003
SCALE:	NONE	SIZE:	A0	SHEET NO.	8	OF 34	REV. 03

PFJBIA-80081

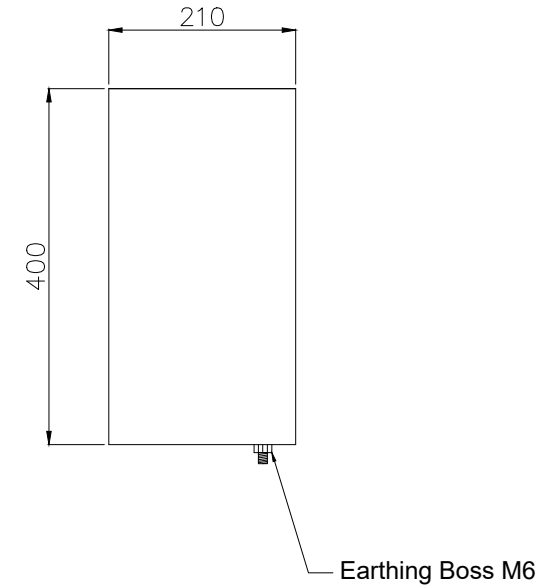
Front Side (Outside) View



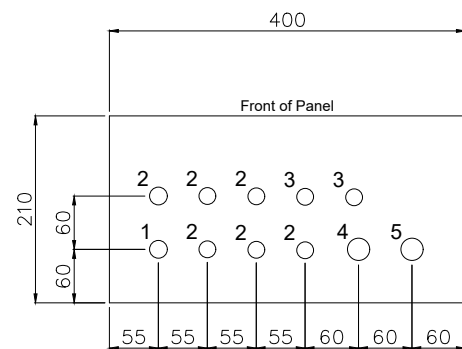
Front Side (Inside) View



Side (Outside) View



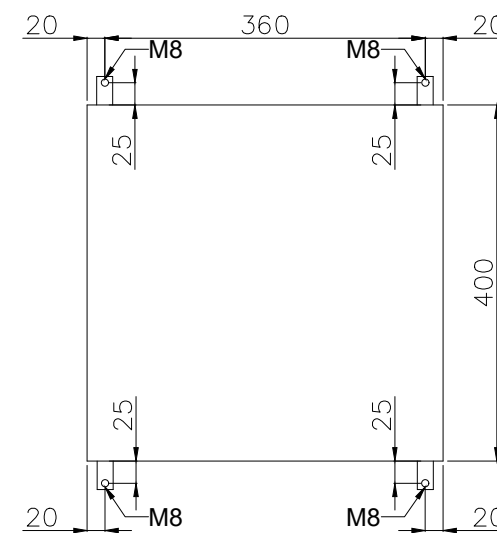
Bottom View



Gland Entry Details

1. M20 - 1x (Breather)
2. M20 - 6x (Cables from Transmitters)
3. M20 - 2x (Spare)
4. M25 - 1x (Multipair Cable from Customer)
5. M25 - 1x (Spare)

Back (Outside) View Mounting Details



GENERAL NOTES

- NOTES
1. PANEL DIMENSIONS: 400x400x210mm
 2. PANEL MATERIAL: SS316L STAINLESS STEEL
 3. PANEL COLOR: RAL7032 (GRAY)
 4. PANEL WALL THICKNESS: 1.6mm
 5. PANEL WEIGHT: ~15Kg
 6. PANEL WILL BE RIGHT HINGED
 7. AREA CLASSIFICATION: Ex II 3G IIC T3 Eex'e'
 8. AMBIENT TEMPERATURE: 5°C/+48°C
 9. INGRESS PROTECTION: IP65
 10. CABLE RACEWAYS SHALL HAVE NO LESS THAN 20% SPARE CAPACITY.
 11. DIN RAIL TYPE: NS35
 12. SPARES WILL BE PLUGGED WITH SUS EX PLUG
 13. GLANDS WILL BE Ex'd IP65 NICKEL PLATED BRASS TYPE GLANDS
 14. ALL DIMENSIONS IN mm.
 15. EXTERNAL EARTH BOLT AND RELATED PARTS ARE ALL COPPER.

REF DRAWINGS	DWG.No.
Wiring Diagram	3944-VD-0171-DYP-RE-400-DIA-0002
I/O List	3944-VD-0171-DYP-RE-400-LST-0080
E&I System Config Diag.	3944-VD-0171-DYP-RE-400-DIA-0078

LEGEND

RESULT CODE: AP AN CO RE RESUBMISSION DATE:

NEXT STATUS: IFI IFA JAF ASB/IFIN

Approval or review hereunder shall not be construed to relieve Vendor/ Subcontractor of his responsibilities and liability under the Contract.

P.O. NO.:

M.R. NO.:

ITEM NO. (EQUIPMENT NO.):

VENDRO JOB NO.:

REV.	DATE	PURPOSE OF ISSUE (P.O.I.)	PREP.	CHKD.	APPR.	AC.
03	26/Aug/25	ISSUED FOR APPROVAL	RT	RB	SC	-
02	16/Jul/25	ISSUED FOR APPROVAL	RT	RB	SC	-
01	25/Apr/25	ISSUED FOR APPROVAL	RT	RB	SC	-
00	24/Mar/25	ISSUED FOR APPROVAL	RT	RB	SC	-

OWNER:



PROJECT:

300 KT POLYETHYLENE PLANT
ARYA SASOL POLYMER COMPANY (ASPC)

MC:



CONTRACTOR:



VENDOR:



DRAWING TITLE:
PANEL LAYOUT DRAWING
LOCAL CONTROL PANEL PFJBIA-80081

OWNER PROJECT NO.	VENDOR DWG.	MR NO.	VENDOR CODE	DISCIPLINE	UNIT	TYPE	SEQ.
3944	VD	0171	DYP	RE	400	DWG	0003
SCALE: NONE	SIZE: A0	SHEET NO. 9	OF 34	REV. 03			

No.	Description	Tag Number	Make	Model	Qty.
1	Running Indication Lamp (Green)	3H4	TBD	TBD	1
2	Fault Indication Lamp (Amber)	3H6	TBD	TBD	1
3	Start Pushbutton (Green)	2S4	TBD	TBD	1
4	Stop Pushbutton (Red)	2S6	TBD	TBD	1
5	Lamp Test Pushbutton (Black)	2S8	TBD	TBD	1
Terminal Strip Definition					
X1	Connection Pushbuttons & Lamps	X1	Phoenix Contact	3211760	21

INS General Comment:
terminal color inside LCP and JB's of unit-800 compressors shall be gray.

GENERAL NOTES
NOTES
1. BILL OF MATERIALS (BOM) AS PER THE LATEST WIRING DIAGRAM.

REF DRAWINGS	DWG.No.
Wiring Diagram	3944-VD-0171-DYP-RE-400-DIA-0002
I/O List	3944-VD-0171-DYP-RE-400-LST-0080
E&I System Config Diag.	3944-VD-0171-DYP-RE-400-DIA-0078

LEGEND

RESULT CODE: AP AN CO RE
NEXT STATUS: IFI IFA AFC ASB/IFIN

Approval or review hereunder shall not be construed to relieve Vendor/ Subcontractor of his responsibilities and liability under the Contract.

P.O. NO.:
M.R. NO.:
ITEM NO. (EQUIPMENT NO.):
VENDRO JOB NO.:

REV.	DATE	PURPOSE OF ISSUE (P.O.I.)	PREP.	CHKD.	APPR.	AC.
03	26/Aug/25	ISSUED FOR APPROVAL	RT	RB	SC	--
02	16/Jul/25	ISSUED FOR APPROVAL	RT	RB	SC	--
01	25/Apr/25	ISSUED FOR APPROVAL	RT	RB	SC	--
00	24/Mar/25	ISSUED FOR APPROVAL	RT	RB	SC	--



PROJECT:
300 KT POLYETHYLENE PLANT
ARYA SASOL POLYMER COMPANY (ASPC)



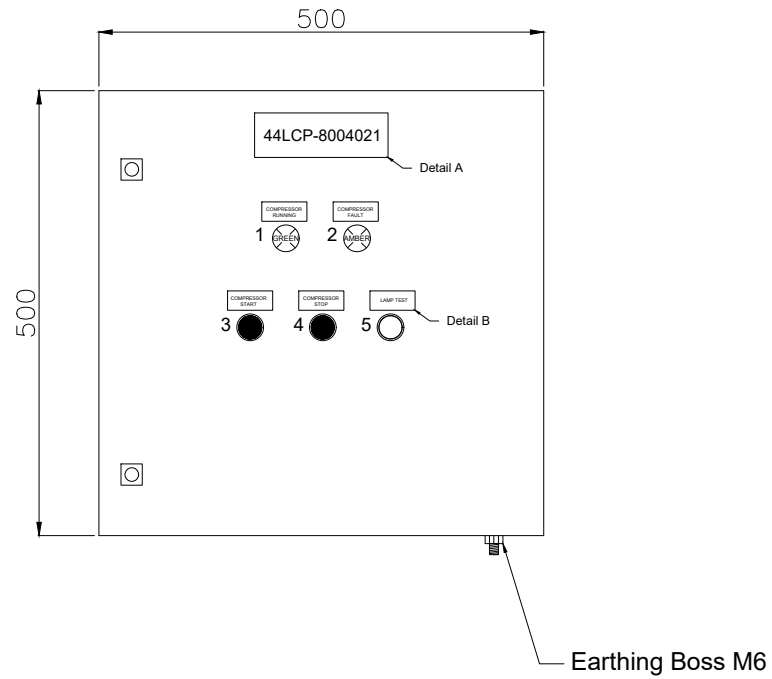
DRAWING TITLE:
PANEL LAYOUT DRAWING
BILL OF MATERIALS FOR
LOCAL CONTROL PANEL 44LCP-8004021

OWNER	PROJECT NO.	VENDOR DWG.	MR NO.	VENDOR CODE	DISCIPLINE	UNIT	TYPE	SEQ.
3944	VD	0171	DYP	RE	400	DWG	0003	

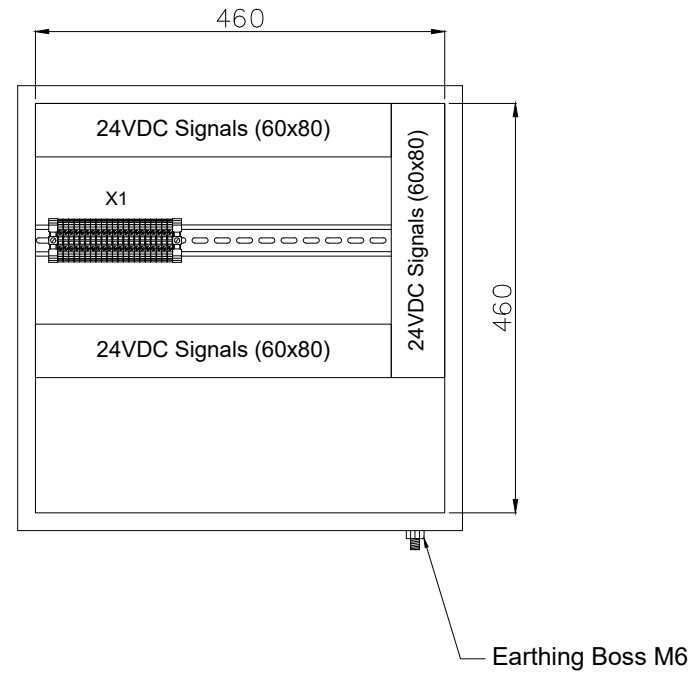
SCALE: NONE SIZE: A0 SHEET NO. 10 OF 34 REV. 03

44LCP-8004021

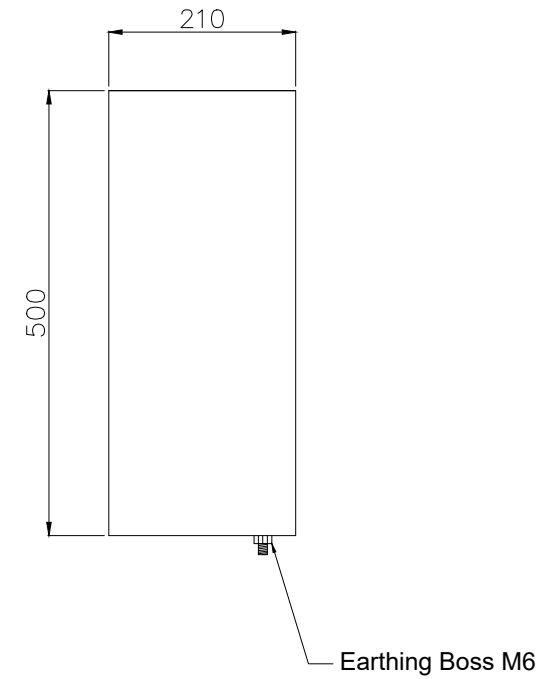
Front Side (Outside) View



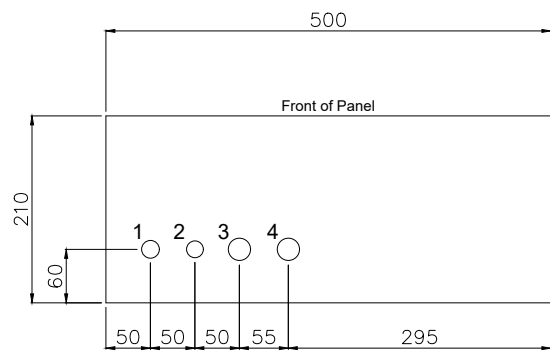
Front Side (Inside) View



Side (Outside) View



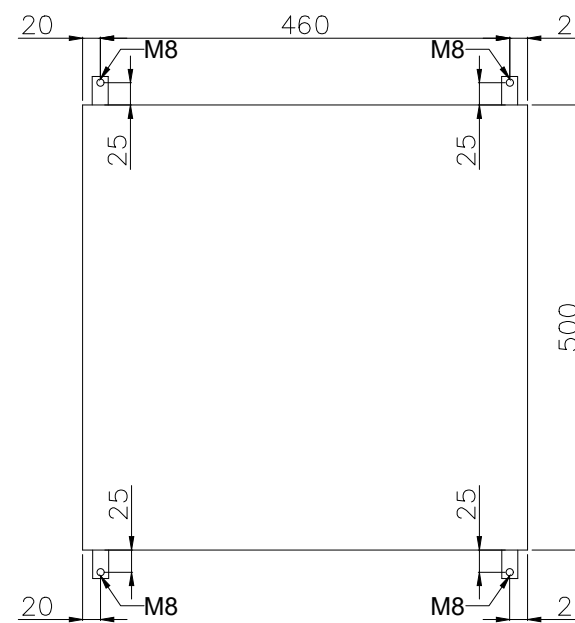
Bottom View



Gland Entry Details

1. M20 - 1x (Breather)
2. M20 - 1x (Spare)
3. M25 - 1x (Cable for Pushbuttons & Lamps)
4. M25 - 1x (Spare)

Back (Outside) View Mounting Details



GENERAL NOTES

- NOTES
1. PANEL DIMENSIONS: 500x500x210mm
 2. PANEL MATERIAL: SS316L STAINLESS STEEL
 3. PANEL COLOR: RAL7032 (GRAY)
 4. PANEL WALL THICKNESS: 1.6mm
 5. PANEL WEIGHT: ~20kg
 6. PANEL WILL BE RIGHT HINGED
 7. AREA CLASSIFICATION: Ex II 3G IIC T3 Eex'e'
 8. AMBIENT TEMPERATURE: 5°C/+48°C
 9. INGRESS PROTECTION: IP65
 10. CABLE RACEWAYS SHALL HAVE NO LESS THAN 20% SPARE CAPACITY.
 11. DIN RAIL TYPE: NS35
 12. SPARES WILL BE PLUGGED WITH SUS EX PLUG
 13. GLANDS WILL BE Ex'd IP65 NICKEL PLATED BRASS TYPE GLANDS
 14. ALL DIMENSIONS IN mm.
 15. EXTERNAL EARTH BOLT AND RELATED PARTS ARE ALL COPPER.
 16. INDICATION LAMP VOLTAGE: 24VDC

REF DRAWINGS	DWG.No.
Wiring Diagram	3944-VD-0171-DYP-RE-400-DIA-0002
I/O List	3944-VD-0171-DYP-RE-400-LST-0080
E&I System Config Diag.	3944-VD-0171-DYP-RE-400-DIA-0078

LEGEND

RESULT CODE: AP AN CO RE RESUBMISSION DATE:

NEXT STATUS: IFI IFA JFC ASB/IFIN

Approval or review hereunder shall not be construed to relieve Vendor/ Subcontractor of his responsibilities and liability under the Contract.

P.O. NO.:

M.R. NO.:

ITEM NO. (EQUIPMENT NO.):

VENDRO JOB NO.:

REV.	DATE	PURPOSE OF ISSUE (P.O.I.)	PREP.	CHKD.	APPR.	AC.
03	26/Aug/25	ISSUED FOR APPROVAL		RT	RB	SC
02	16/Jul/25	ISSUED FOR APPROVAL		RT	RB	SC
01	25/Apr/25	ISSUED FOR APPROVAL		RT	RB	SC
00	24/Mar/25	ISSUED FOR APPROVAL		RT	RB	SC

OWNER:



PROJECT:

300 KT POLYETHYLENE PLANT
ARYA SASOL POLYMER COMPANY (ASPC)

MC:



CONTRACTOR:



VENDOR:



DRAWING TITLE:

PANEL LAYOUT DRAWING
LOCAL CONTROL PANEL 44LCP-8004021

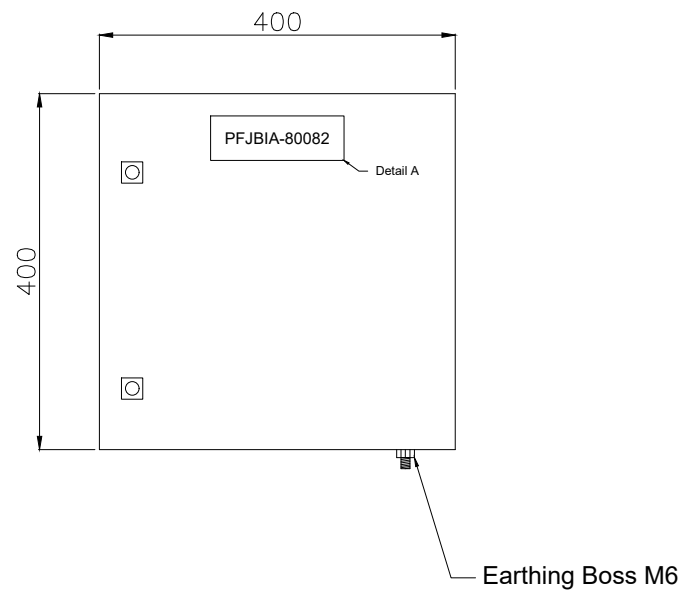
OWNER PROJECT NO. VENDOR DWG. MR NO. VENDOR CODE DISCIPLINE UNIT TYPE SEQ.

3944 VD 0171 DYP RE 400 DWG 0003

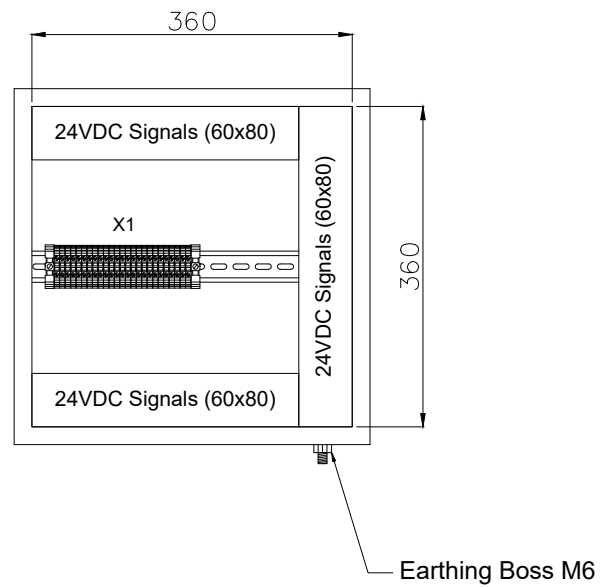
SCALE: NONE SIZE: A0 SHEET NO. 11 OF 34 REV. 03

PFJBIA-80082

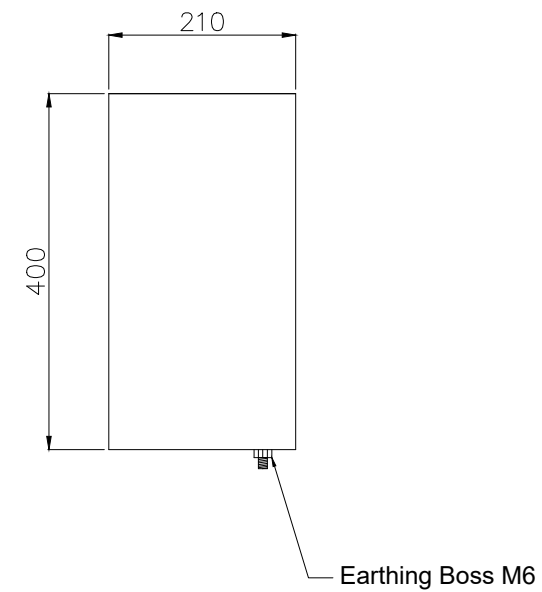
Front Side (Outside) View



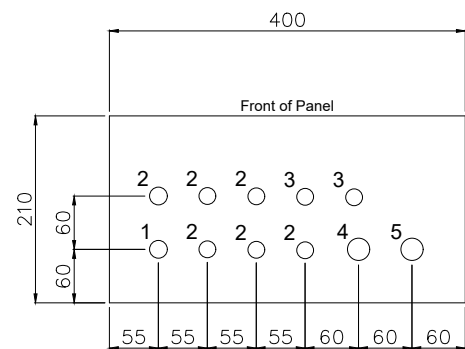
Front Side (Inside) View



Side (Outside) View



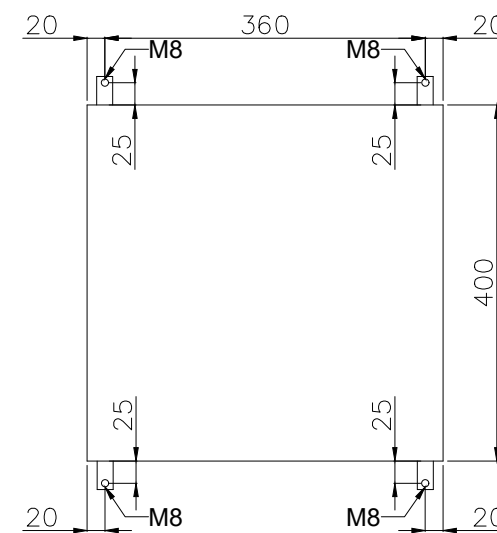
Bottom View



Gland Entry Details

1. M20 - 1x (Breather)
2. M20 - 6x (Cables from Transmitters)
3. M20 - 2x (Spare)
4. M25 - 1x (Multipair Cable from Customer)
5. M25 - 1x (Spare)

Back (Outside) View Mounting Details



GENERAL NOTES

- NOTES
1. PANEL DIMENSIONS: 400x400x210mm
 2. PANEL MATERIAL: SS316L STAINLESS STEEL
 3. PANEL COLOR: RAL7032 (GRAY)
 4. PANEL WALL THICKNESS: 1.6mm
 5. PANEL WEIGHT: ~15Kg
 6. PANEL WILL BE RIGHT HINGED
 7. AREA CLASSIFICATION: Ex II 3G IIC T3 Eex'e'
 8. AMBIENT TEMPERATURE: 5°C/+48°C
 9. INGRESS PROTECTION: IP65
 10. CABLE RACEWAYS SHALL HAVE NO LESS THAN 20% SPARE CAPACITY.
 11. DIN RAIL TYPE: NS35
 12. SPARES WILL BE PLUGGED WITH SUS EX PLUG
 13. GLANDS WILL BE Ex'd IP65 NICKEL PLATED BRASS TYPE GLANDS
 14. ALL DIMENSIONS IN mm.
 15. EXTERNAL EARTH BOLT AND RELATED PARTS ARE ALL COPPER.

REF DRAWINGS	DWG.No.
Wiring Diagram	3944-VD-0171-DYP-RE-400-DIA-0002
I/O List	3944-VD-0171-DYP-RE-400-LST-0080
E&I System Config Diag.	3944-VD-0171-DYP-RE-400-DIA-0078

LEGEND

RESULT CODE: AP AN CO RE RESUBMISSION DATE:

NEXT STATUS: IFI IFA JAF ASB/IFIN

Approval or review hereunder shall not be construed to relieve Vendor/ Subcontractor of his responsibilities and liability under the Contract.

P.O. NO.:

M.R. NO.:

ITEM NO. (EQUIPMENT NO.):

VENDRO JOB NO.:

REV.	DATE	PURPOSE OF ISSUE (P.O.I.)	PREP.	CHKD.	APPR.	AC.
03	26/Aug/25	ISSUED FOR APPROVAL	RT	RB	SC	-
02	16/Jul/25	ISSUED FOR APPROVAL	RT	RB	SC	-
01	25/Apr/25	ISSUED FOR APPROVAL	RT	RB	SC	-
00	24/Mar/25	ISSUED FOR APPROVAL	RT	RB	SC	-

OWNER:



PROJECT:

300 KT POLYETHYLENE PLANT
ARYA SASOL POLYMER COMPANY (ASPC)

MC:



CONTRACTOR:



VENDOR:



DRAWING TITLE:
PANEL LAYOUT DRAWING
LOCAL CONTROL PANEL PFJBIA-80082

OWNER PROJECT NO.	VENDOR DWG.	MR NO.	VENDOR CODE	DISCIPLINE	UNIT	TYPE	SEQ.
3944	VD	0171	DYP	RE	400	DWG	0003
SCALE: NONE	SIZE: A0	SHEET NO. 12 OF 34	REV. 03				

No.	Description	Tag Number	Make	Model	Qty.
1	Running Indication Lamp (Green)	3H4	TBD	TBD	1
2	Fault Indication Lamp (Amber)	3H6	TBD	TBD	1
3	Start Pushbutton (Green)	2S4	TBD	TBD	1
4	Stop Pushbutton (Red)	2S6	TBD	TBD	1
5	Lamp Test Pushbutton (Black)	2S8	TBD	TBD	1
Terminal Strip Definition					
X1	Connection Pushbuttons & Lamps	X1	Phoenix Contact	3211760	21

GENERAL NOTES

NOTES
1. BILL OF MATERIALS (BOM) AS PER THE LATEST WIRING DIAGRAM.

REF DRAWINGS	DWG.No.
Wiring Diagram	3944-VD-0171-DYP-RE-400-DIA-0002
I/O List	3944-VD-0171-DYP-RE-400-LST-0080
E&I System Config Diag.	3944-VD-0171-DYP-RE-400-DIA-0078

LEGEND

RESULT CODE: AP AN CO RE

NEXT STATUS: IFI IFA AFC ASB/IFIN

Approval or review hereunder shall not be construed to relieve Vendor/ Subcontractor of his responsibilities and liability under the Contract.

P.O. NO.:
M.R. NO.:
ITEM NO. (EQUIPMENT NO.):
VENDRO JOB NO.:

REV.	DATE	PURPOSE OF ISSUE (P.O.I.)	PREP.	CHKD.	APPR.	AC.
03	26/Aug/25	ISSUED FOR APPROVAL	RT	RB	SC	--
02	16/Jul/25	ISSUED FOR APPROVAL	RT	RB	SC	--
01	25/Apr/25	ISSUED FOR APPROVAL	RT	RB	SC	--
00	24/Mar/25	ISSUED FOR APPROVAL	RT	RB	SC	--

OWNER:


PROJECT:
300 KT POLYETHYLENE PLANT
ARYA SASOL POLYMER COMPANY (ASPC)

MC:
 

CONTRACTOR:
 

VENDOR:

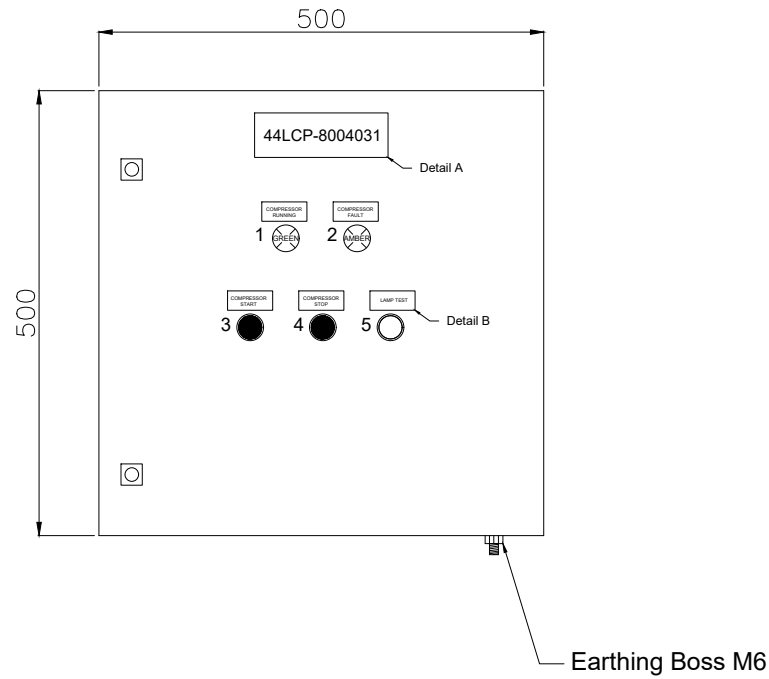

DRAWING TITLE:
PANEL LAYOUT DRAWING
BILL OF MATERIALS FOR
LOCAL CONTROL PANEL 44LCP-8004031

OWNER	PROJECT NO.	VENDOR DWG.	MR NO.	VENDOR CODE	DISCIPLINE	UNIT	TYPE	SEQ.
3944	VD	0171	DYP	RE	400	DWG	0003	

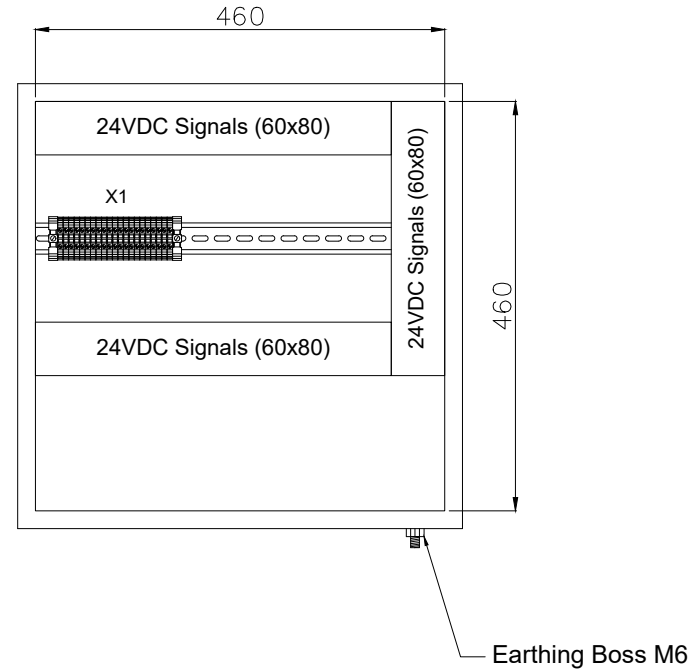
SCALE: NONE SIZE: A0 SHEET NO. 13 OF 34 REV. 03

44LCP-8004031

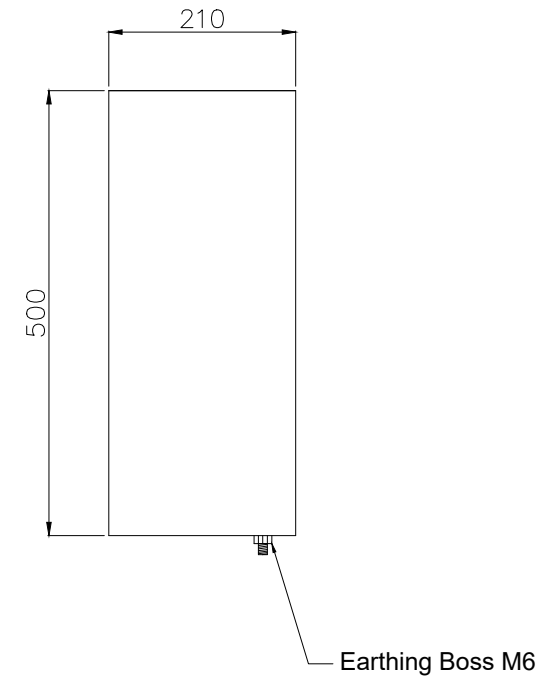
Front Side (Outside) View



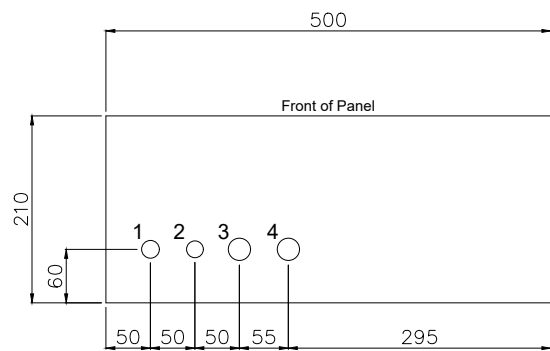
Front Side (Inside) View



Side (Outside) View



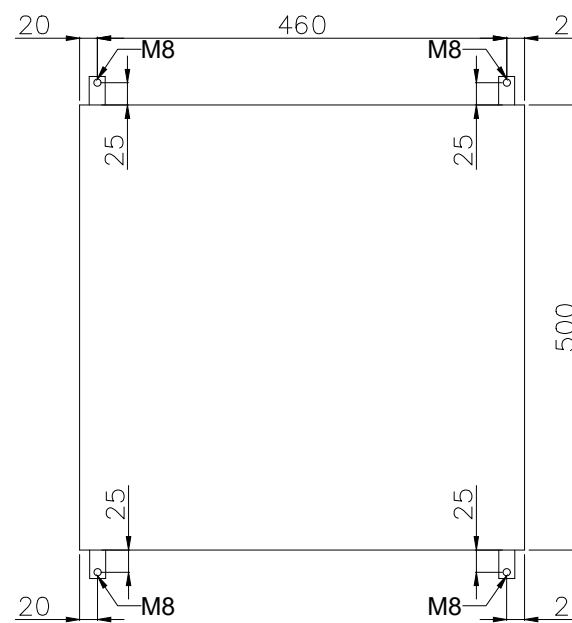
Bottom View



Gland Entry Details

1. M20 - 1x (Breather)
2. M20 - 1x (Spare)
3. M25 - 1x (Cable for Pushbuttons & Lamps)
4. M25 - 1x (Spare)

Back (Outside) View Mounting Details



GENERAL NOTES

- NOTES
1. PANEL DIMENSIONS: 500x500x210mm
 2. PANEL MATERIAL: SS316L STAINLESS STEEL
 3. PANEL COLOR: RAL7032 (GRAY)
 4. PANEL WALL THICKNESS: 1.6mm
 5. PANEL WEIGHT: ~20kg
 6. PANEL WILL BE RIGHT HINGED
 7. AREA CLASSIFICATION: Ex II 3G IIC T3 Eex'e'
 8. AMBIENT TEMPERATURE: 5°C/+48°C
 9. INGRESS PROTECTION: IP65
 10. CABLE RACEWAYS SHALL HAVE NO LESS THAN 20% SPARE CAPACITY.
 11. DIN RAIL TYPE: NS35
 12. SPARES WILL BE PLUGGED WITH SUS Ex PLUG
 13. GLANDS WILL BE Ex'd IP65 NICKEL PLATED BRASS TYPE GLANDS
 14. ALL DIMENSIONS IN mm.
 15. EXTERNAL EARTH BOLT AND RELATED PARTS ARE ALL COPPER.
 16. INDICATION LAMP VOLTAGE: 24VDC

REF DRAWINGS	DWG.No.
Wiring Diagram	3944-VD-0171-DYP-RE-400-DIA-0002
I/O List	3944-VD-0171-DYP-RE-400-LST-0080
E&I System Config Diag.	3944-VD-0171-DYP-RE-400-DIA-0078

LEGEND

RESULT CODE: AP AN CO RE RESUBMISSION DATE:

NEXT STATUS: IFI IFA JAF ASB/IFIN

Approval or review hereunder shall not be construed to relieve Vendor/ Subcontractor of his responsibilities and liability under the Contract.

P.O. NO.:

M.R. NO.:

ITEM NO. (EQUIPMENT NO.):

VENDOR JOB NO.:

REV.	DATE	PURPOSE OF ISSUE (P.O.I.)	PREP.	CHKD.	APPR.	AC.
03	26/Aug/25	ISSUED FOR APPROVAL	RT	RB	SC	-
02	16/Jul/25	ISSUED FOR APPROVAL	RT	RB	SC	-
01	25/Apr/25	ISSUED FOR APPROVAL	RT	RB	SC	-
00	24/Mar/25	ISSUED FOR APPROVAL	RT	RB	SC	-

OWNER:



PROJECT:

300 KT POLYETHYLENE PLANT
ARYA SASOL POLYMER COMPANY (ASPC)

MC:



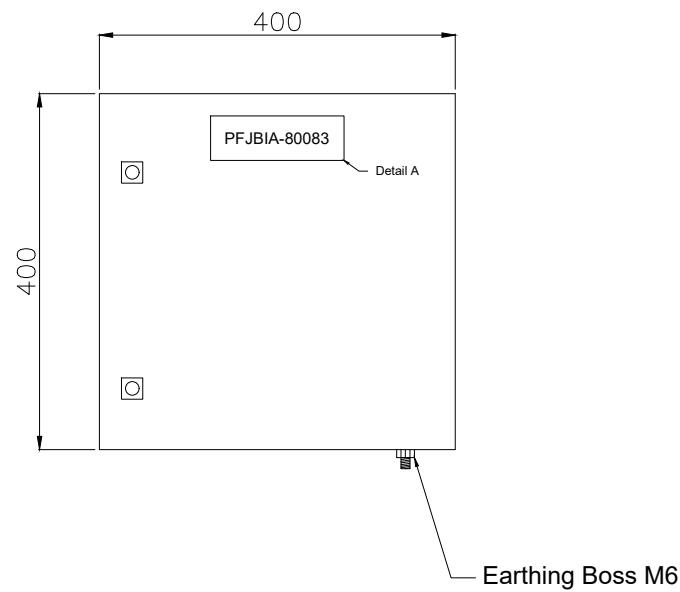
CONTRACTOR: SAZEH CONSULTANTS
VENDOR: DYPNF

DRAWING TITLE:
PANEL LAYOUT DRAWING
LOCAL CONTROL PANEL 44LCP-8004031

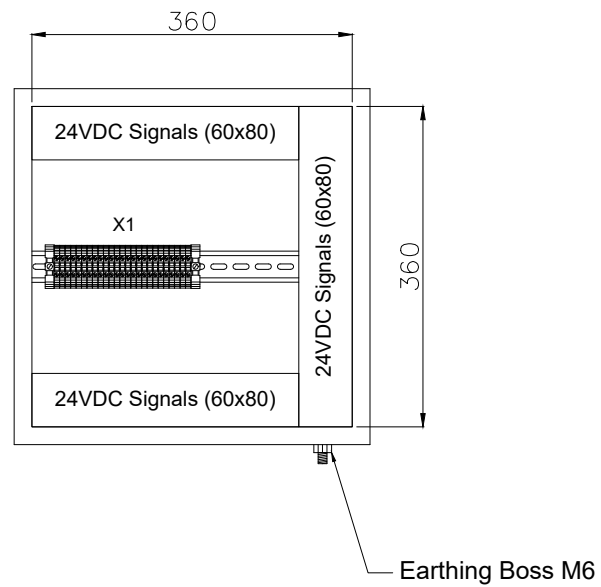
OWNER PROJECT NO.	VENDOR DWG.	MR NO.	VENDOR CODE	DISCIPLINE	UNIT	TYPE	SEQ.
3944	VD	0171	DYP	RE	400	DWG	0003
SCALE: NONE	SIZE: A0	SHEET NO. 14 OF 34	REV. 03				

PFJBIA-80083

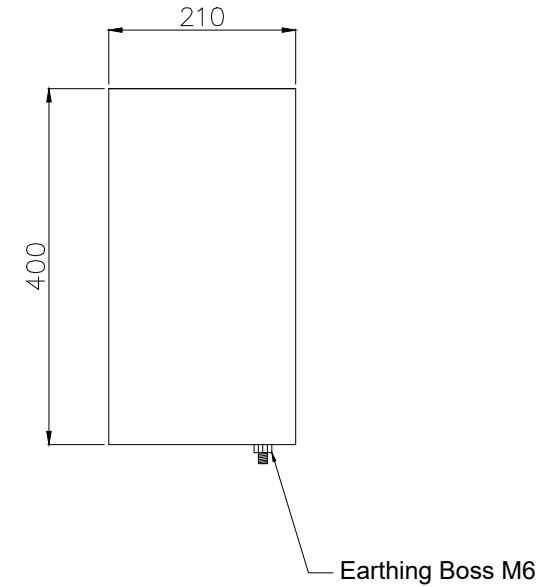
Front Side (Outside) View



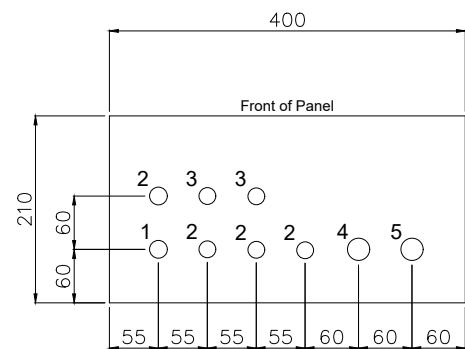
Front Side (Inside) View



Side (Outside) View



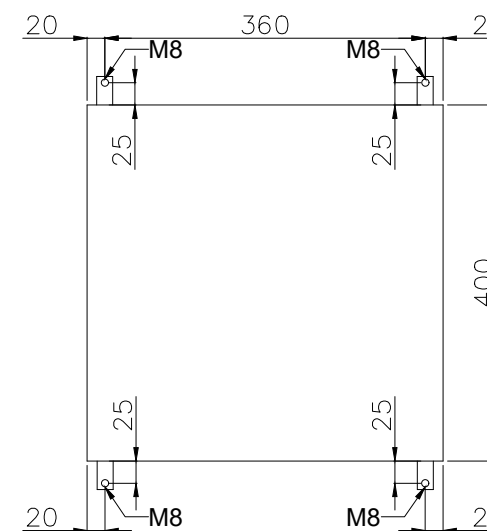
Bottom View



Gland Entry Details

1. M20 - 1x (Breather)
2. M20 - 4x (Cables from Transmitters)
3. M20 - 2x (Spare)
4. M25 - 1x (Multipair Cable from Customer)
5. M25 - 1x (Spare)

Back (Outside) View Mounting Details



GENERAL NOTES

- NOTES
1. PANEL DIMENSIONS: 400x400x210mm
 2. PANEL MATERIAL: SS316L STAINLESS STEEL
 3. PANEL COLOR: RAL7032 (GRAY)
 4. PANEL WALL THICKNESS: 1.6mm
 5. PANEL WEIGHT: ~15Kg
 6. PANEL WILL BE RIGHT HINGED
 7. AREA CLASSIFICATION: Ex II 3G IIC T3 Eex'e'
 8. AMBIENT TEMPERATURE: 5°C/+48°C
 9. INGRESS PROTECTION: IP65
 10. CABLE RACEWAYS SHALL HAVE NO LESS THAN 20% SPARE CAPACITY.
 11. DIN RAIL TYPE: NS35
 12. SPARES WILL BE PLUGGED WITH SUS EX PLUG
 13. GLANDS WILL BE Ex'd IP65 NICKEL PLATED BRASS TYPE GLANDS
 14. ALL DIMENSIONS IN mm.
 15. EXTERNAL EARTH BOLT AND RELATED PARTS ARE ALL COPPER.

REF DRAWINGS	DWG.No.
Wiring Diagram	3944-VD-0171-DYP-RE-400-DIA-0002
I/O List	3944-VD-0171-DYP-RE-400-LST-0080
E&I System Config Diag.	3944-VD-0171-DYP-RE-400-DIA-0078

LEGEND

RESULT CODE: AP AN CO RE RESUBMISSION DATE:

NEXT STATUS: IFI IFA JAF ASB/IFIN

Approval or review hereunder shall not be construed to relieve Vendor/ Subcontractor of his responsibilities and liability under the Contract.

P.O. NO.:

M.R. NO.:

ITEM NO. (EQUIPMENT NO.):

VENDRO JOB NO.:

REV.	DATE	PURPOSE OF ISSUE (P.O.I.)	PREP.	CHKD.	APPR.	AC.
03	26/Aug/25	ISSUED FOR APPROVAL	RT	RB	SC	-
02	16/Jul/25	ISSUED FOR APPROVAL	RT	RB	SC	-
01	25/Apr/25	ISSUED FOR APPROVAL	RT	RB	SC	-
00	24/Mar/25	ISSUED FOR APPROVAL	RT	RB	SC	-

OWNER:



PROJECT:

300 KT POLYETHYLENE PLANT
ARYA SASOL POLYMER COMPANY (ASPC)

MC:



CONTRACTOR:



VENDOR:



DRAWING TITLE:
PANEL LAYOUT DRAWING
LOCAL CONTROL PANEL PFJBIA-80083

OWNER DOC. NO.

OWNER PROJECT NO. VENDOR DWG. MR NO. VENDOR CODE DISCIPLINE UNIT TYPE SEQ.

3944 VD 0171 DYP RE 400 DWG 0003

SCALE: NONE SIZE: A0 SHEET NO. 15 OF 34 REV. 03

No.	Description	Tag Number	Make	Model	Qty.
1	Running Indication Lamp (Green)	3H4	TBD	TBD	1
2	Fault Indication Lamp (Amber)	3H6	TBD	TBD	1
3	Start Pushbutton (Green)	2S4	TBD	TBD	1
4	Stop Pushbutton (Red)	2S6	TBD	TBD	1
5	Lamp Test Pushbutton (Black)	2S8	TBD	TBD	1
Terminal Strip Definition					
X1	Connection Pushbuttons & Lamps	X1	Phoenix Contact	3211760	21

GENERAL NOTES

NOTES
1. BILL OF MATERIALS (BOM) AS PER THE LATEST WIRING DIAGRAM.

REF DRAWINGS	DWG.No.
Wiring Diagram	3944-VD-0171-DYP-RE-400-DIA-0002
I/O List	3944-VD-0171-DYP-RE-400-LST-0080
E&I System Config Diag.	3944-VD-0171-DYP-RE-400-DIA-0078

LEGEND

RESULT CODE: AP AN CO RE

NEXT STATUS: IFI IFA AFC ASB/IFIN

Approval or review hereunder shall not be construed to relieve Vendor/ Subcontractor of his responsibilities and liability under the Contract.

P.O. NO.:
M.R. NO.:
ITEM NO. (EQUIPMENT NO.):
VENDRO JOB NO.:

REV.	DATE	PURPOSE OF ISSUE (P.O.I.)	PREP.	CHKD.	APPR.	AC.
03	26/Aug/25	ISSUED FOR APPROVAL	RT	RB	SC	--
02	16/Jul/25	ISSUED FOR APPROVAL	RT	RB	SC	--
01	25/Apr/25	ISSUED FOR APPROVAL	RT	RB	SC	--
00	24/Mar/25	ISSUED FOR APPROVAL	RT	RB	SC	--

OWNER:


PROJECT:
300 KT POLYETHYLENE PLANT
ARYA SASOL POLYMER COMPANY (ASPC)

MC:
 

CONTRACTOR:
 

VENDOR:

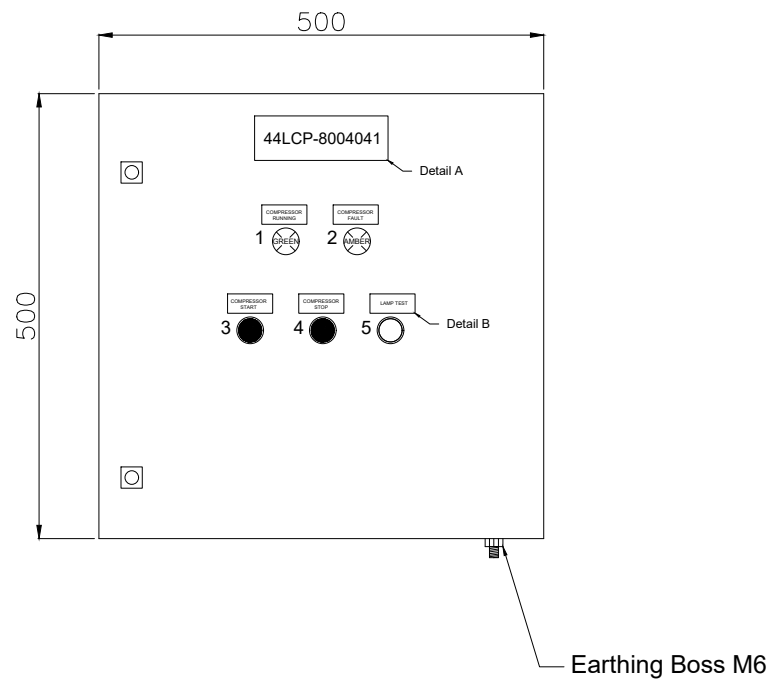

DRAWING TITLE:
PANEL LAYOUT DRAWING
BILL OF MATERIALS FOR
LOCAL CONTROL PANEL 44LCP-8004041

OWNER	PROJECT NO.	VENDOR DWG.	MR NO.	VENDOR CODE	DISCIPLINE	UNIT	TYPE	SEQ.
3944	VD	0171	DYP	RE	400	DWG	0003	

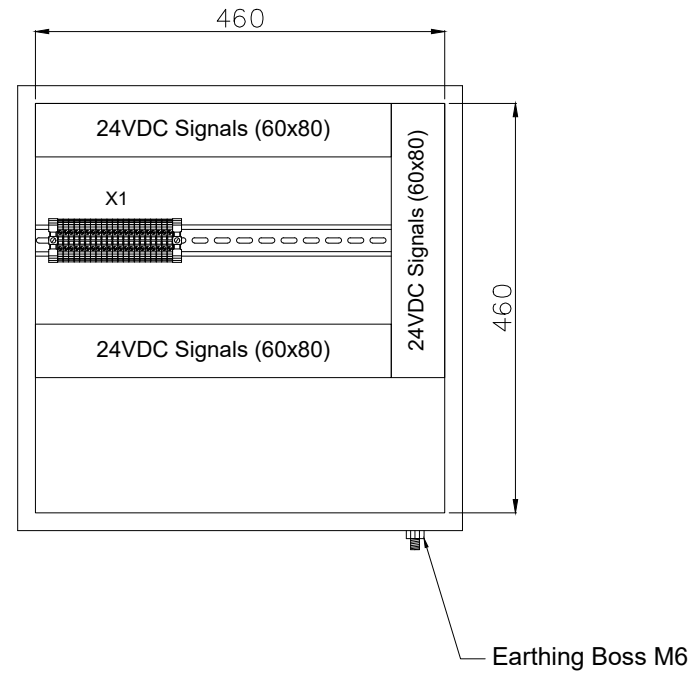
SCALE: NONE SIZE: A0 SHEET NO. 16 OF 34 REV. 03

44LCP-8004041

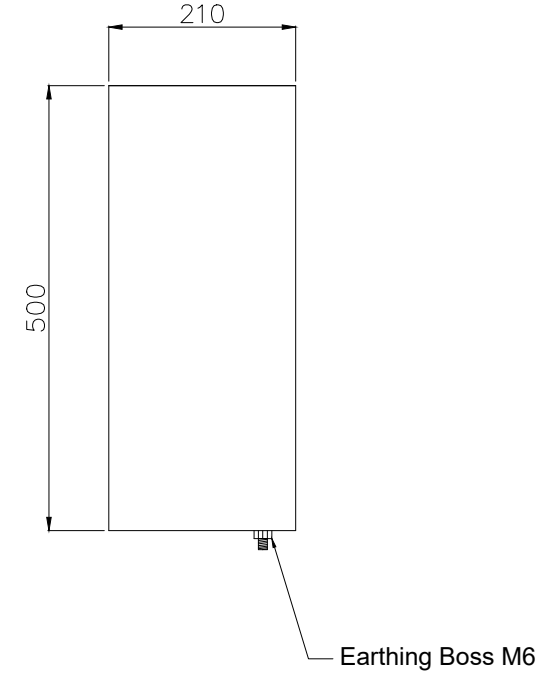
Front Side (Outside) View



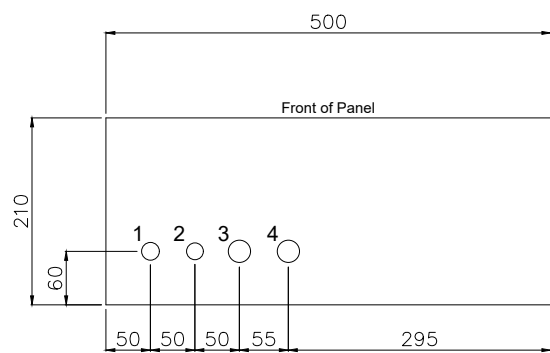
Front Side (Inside) View



Side (Outside) View



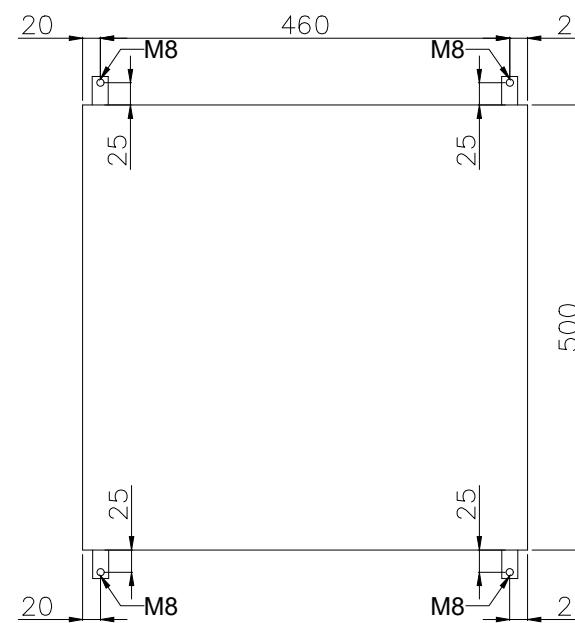
Bottom View



Gland Entry Details

1. M20 - 1x (Breather)
2. M20 - 1x (Spare)
3. M25 - 1x (Cable for Pushbuttons & Lamps)
4. M25 - 1x (Spare)

Back (Outside) View Mounting Details



GENERAL NOTES

- NOTES
1. PANEL DIMENSIONS: 500x500x210mm
 2. PANEL MATERIAL: SS316L STAINLESS STEEL
 3. PANEL COLOR: RAL7032 (GRAY)
 4. PANEL WALL THICKNESS: 1.6mm
 5. PANEL WEIGHT: ~20kg
 6. PANEL WILL BE RIGHT HINGED
 7. AREA CLASSIFICATION: Ex II 3G IIC T3 Eex'e'
 8. AMBIENT TEMPERATURE: 5°C/+48°C
 9. INGRESS PROTECTION: IP65
 10. CABLE RACEWAYS SHALL HAVE NO LESS THAN 20% SPARE CAPACITY.
 11. DIN RAIL TYPE: NS35
 12. SPARES WILL BE PLUGGED WITH SUS EX PLUG
 13. GLANDS WILL BE Ex'd IP65 NICKEL PLATED BRASS TYPE GLANDS
 14. ALL DIMENSIONS IN mm.
 15. EXTERNAL EARTH BOLT AND RELATED PARTS ARE ALL COPPER.
 16. INDICATION LAMP VOLTAGE: 24VDC

REF DRAWINGS	DWG.No.
Wiring Diagram	3944-VD-0171-DYP-RE-400-DIA-0002
I/O List	3944-VD-0171-DYP-RE-400-LST-0080
E&I System Config Diag.	3944-VD-0171-DYP-RE-400-DIA-0078

LEGEND

RESULT CODE: AP AN CO RE RESUBMISSION DATE:

NEXT STATUS: IFI IFA JFC ASB/IFIN

Approval or review hereunder shall not be construed to relieve Vendor/ Subcontractor of his responsibilities and liability under the Contract.

P.O. NO.:

M.R. NO.:

ITEM NO. (EQUIPMENT NO.):

VENDOR JOB NO.:

REV.	DATE	PURPOSE OF ISSUE (P.O.I.)	PREP.	CHKD.	APPR.	AC.
03	26/Aug/25	ISSUED FOR APPROVAL	RT	RB	SC	-
02	16/Jul/25	ISSUED FOR APPROVAL	RT	RB	SC	-
01	25/Apr/25	ISSUED FOR APPROVAL	RT	RB	SC	-
00	24/Mar/25	ISSUED FOR APPROVAL	RT	RB	SC	-

OWNER:



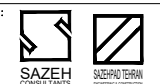
PROJECT:

300 KT POLYETHYLENE PLANT
ARYA SASOL POLYMER COMPANY (ASPC)

MC:



CONTRACTOR:



DRAWING TITLE:

PANEL LAYOUT DRAWING
LOCAL CONTROL PANEL 44LCP-8004041

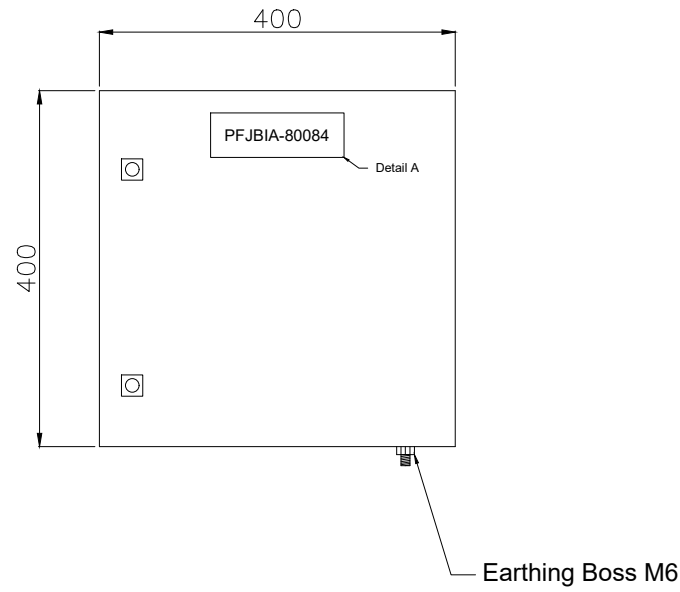
OWNER PROJECT NO. VENDOR DWG. MR NO. VENDOR CODE DISCIPLINE UNIT TYPE SEQ.

3944 VD 0171 DYP RE 400 DWG 0003

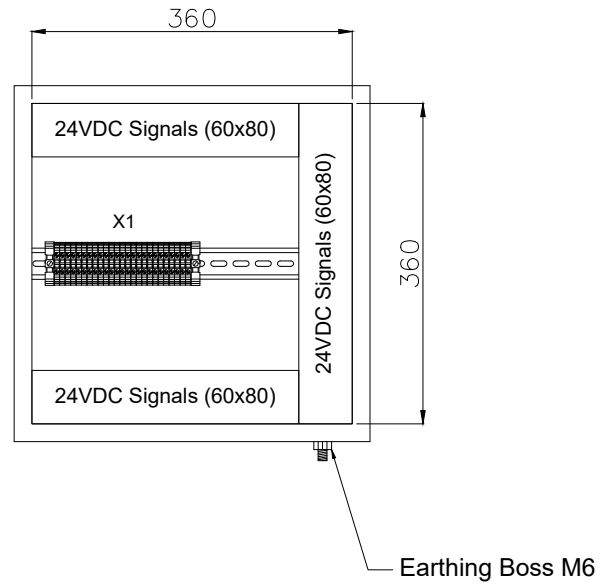
SCALE: NONE SIZE: A0 SHEET NO. 17 OF 34 REV. 03

PFJBIA-80084

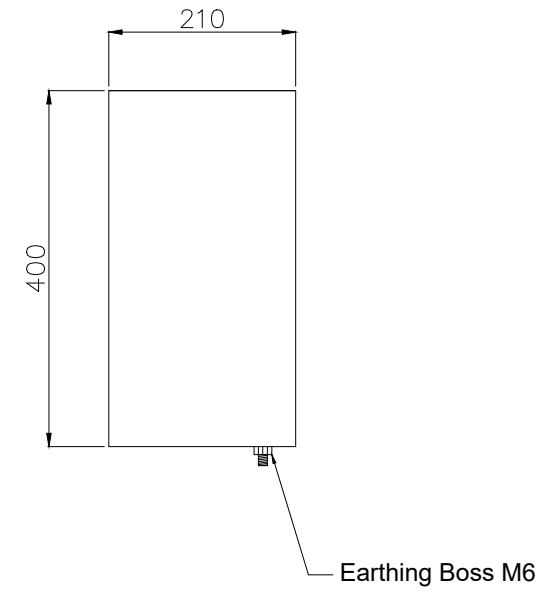
Front Side (Outside) View



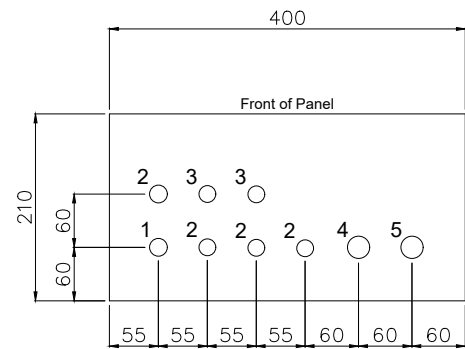
Front Side (Inside) View



Side (Outside) View



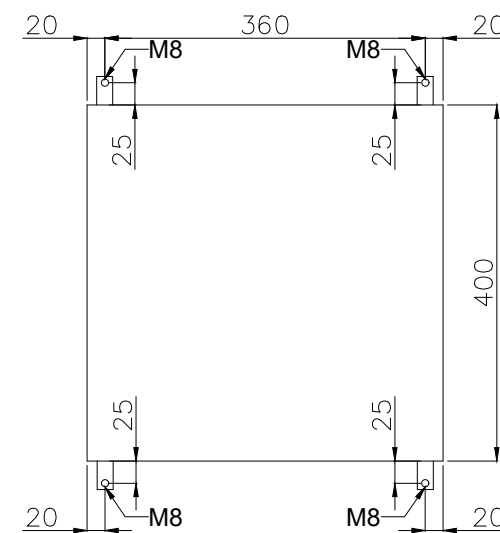
Bottom View



Gland Entry Details

1. M20 - 1x (Breather)
2. M20 - 4x (Cables from Transmitters)
3. M20 - 2x (Spare)
4. M25 - 1x (Multipair Cable from Customer)
5. M25 - 1x (Spare)

Back (Outside) View Mounting Details



GENERAL NOTES

- NOTES
1. PANEL DIMENSIONS: 400x400x210mm
 2. PANEL MATERIAL: SS316L STAINLESS STEEL
 3. PANEL COLOR: RAL7032 (GRAY)
 4. PANEL WALL THICKNESS: 1.6mm
 5. PANEL WEIGHT: ~15Kg
 6. PANEL WILL BE RIGHT HINGED
 7. AREA CLASSIFICATION: Ex II 3G IIC T3 Eex'e'
 8. AMBIENT TEMPERATURE: 5°C/+48°C
 9. INGRESS PROTECTION: IP65
 10. CABLE RACEWAYS SHALL HAVE NO LESS THAN 20% SPARE CAPACITY.
 11. DIN RAIL TYPE: NS35
 12. SPARES WILL BE PLUGGED WITH SUS EX PLUG
 13. GLANDS WILL BE Ex'd IP65 NICKEL PLATED BRASS TYPE GLANDS
 14. ALL DIMENSIONS IN mm.
 15. EXTERNAL EARTH BOLT AND RELATED PARTS ARE ALL COPPER.

REF DRAWINGS	DWG.No.
Wiring Diagram	3944-VD-0171-DYP-RE-400-DIA-0002
I/O List	3944-VD-0171-DYP-RE-400-LST-0080
E&I System Config Diag.	3944-VD-0171-DYP-RE-400-DIA-0078

LEGEND

RESULT CODE: AP AN CO RE RESUBMISSION DATE:

NEXT STATUS: IFI IFA JAF ASB/IFIN

Approval or review hereunder shall not be construed to relieve Vendor/ Subcontractor of his responsibilities and liability under the Contract.

P.O. NO.:

M.R. NO.:

ITEM NO. (EQUIPMENT NO.):

VENDRO JOB NO.:

REV.	DATE	PURPOSE OF ISSUE (P.O.I.)	PREP.	CHKD.	APPR.	AC.
03	26/Aug/25	ISSUED FOR APPROVAL	RT	RB	SC	-
02	16/Jul/25	ISSUED FOR APPROVAL	RT	RB	SC	-
01	25/Apr/25	ISSUED FOR APPROVAL	RT	RB	SC	-
00	24/Mar/25	ISSUED FOR APPROVAL	RT	RB	SC	-

OWNER:



PROJECT:

300 KT POLYETHYLENE PLANT
ARYA SASOL POLYMER COMPANY (ASPC)

MC:



CONTRACTOR:



VENDOR:



DRAWING TITLE:
PANEL LAYOUT DRAWING
LOCAL CONTROL PANEL PFJBIA-80084

OWNER PROJECT NO.	VENDOR DWG.	MR NO.	VENDOR CODE	DISCIPLINE	UNIT	TYPE	SEQ.	
3944	VD	0171	DYP	RE	400	DWG	0003	
SCALE:	NONE	SIZE:	A0	SHEET NO.	18	OF 34	REV.	03

No.	Description	Tag Number	Make	Model	Qty.
1	Running Indication Lamp (Green)	3H4	TBD	TBD	1
2	Fault Indication Lamp (Amber)	3H6	TBD	TBD	1
3	Start Pushbutton (Green)	2S4	TBD	TBD	1
4	Stop Pushbutton (Red)	2S6	TBD	TBD	1
5	Lamp Test Pushbutton (Black)	2S8	TBD	TBD	1
Terminal Strip Definition					
X1	Connection Pushbuttons & Lamps	X1	Phoenix Contact	3211760	21

GENERAL NOTES

NOTES
1. BILL OF MATERIALS (BOM) AS PER THE LATEST WIRING DIAGRAM.

REF DRAWINGS	DWG.No.
Wiring Diagram	3944-VD-0171-DYP-RE-400-DIA-0002
I/O List	3944-VD-0171-DYP-RE-400-LST-0080
E&I System Config Diag.	3944-VD-0171-DYP-RE-400-DIA-0078

LEGEND

RESULT CODE: AP AN CO RE

NEXT STATUS: IFI IFA AFC ASB/IFIN

Approval or review hereunder shall not be construed to relieve Vendor/ Subcontractor of his responsibilities and liability under the Contract.

P.O. NO.:
M.R. NO.:
ITEM NO. (EQUIPMENT NO.):
VENDRO JOB NO.:

REV.	DATE	PURPOSE OF ISSUE (P.O.I.)	PREP.	CHKD.	APPR.	AC.
03	26/Aug/25	ISSUED FOR APPROVAL	RT	RB	SC	--
02	16/Jul/25	ISSUED FOR APPROVAL	RT	RB	SC	--
01	25/Apr/25	ISSUED FOR APPROVAL	RT	RB	SC	--
00	24/Mar/25	ISSUED FOR APPROVAL	RT	RB	SC	--

OWNER:


PROJECT:
300 KT POLYETHYLENE PLANT
ARYA SASOL POLYMER COMPANY (ASPC)

MC:
 

CONTRACTOR:
 

VENDOR:

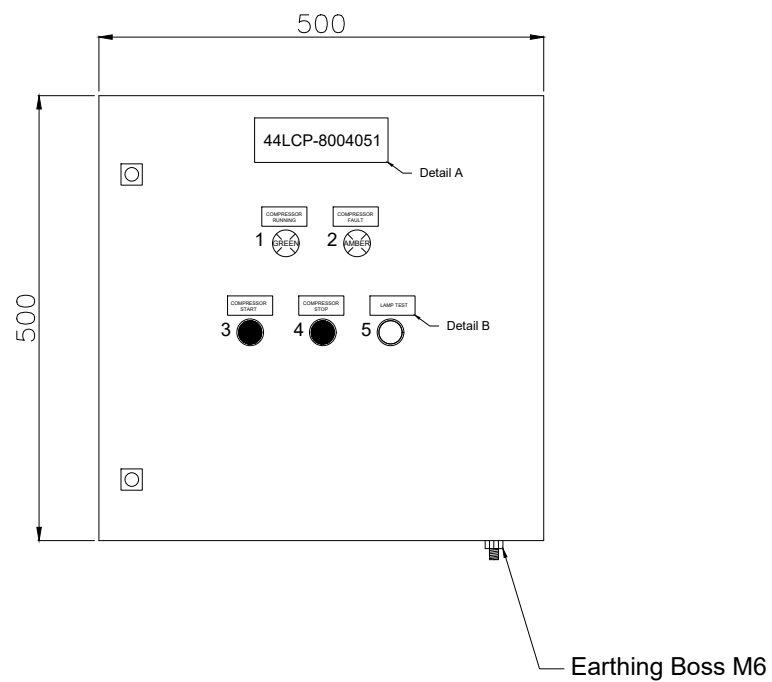

DRAWING TITLE:
PANEL LAYOUT DRAWING
BILL OF MATERIALS FOR
LOCAL CONTROL PANEL 44LCP-8004051

OWNER PROJECT NO.	VENDOR DWG.	MR NO.	VENDOR CODE	DISCIPLINE	UNIT	TYPE	SEQ.
3944	VD	0171	DYP	RE	400	DWG	0003

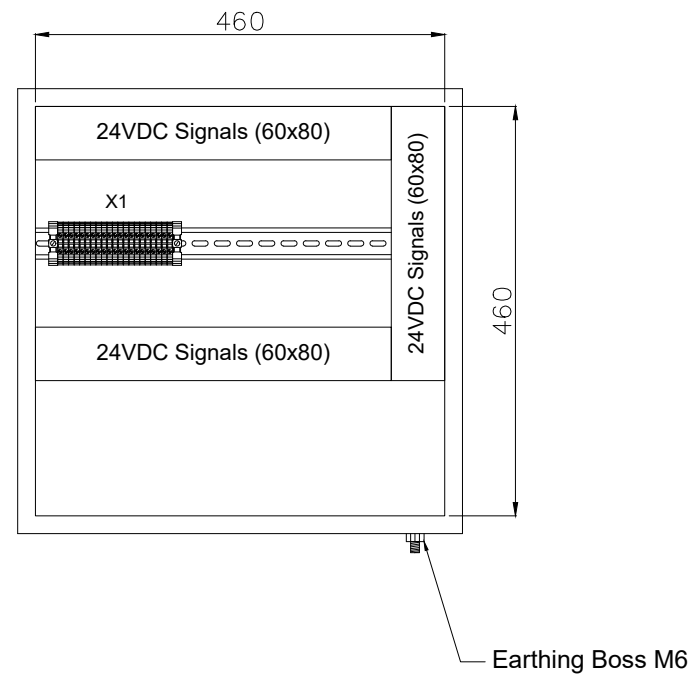
SCALE: NONE SIZE: A0 SHEET NO. 19 OF 34 REV. 03

44LCP-8004051

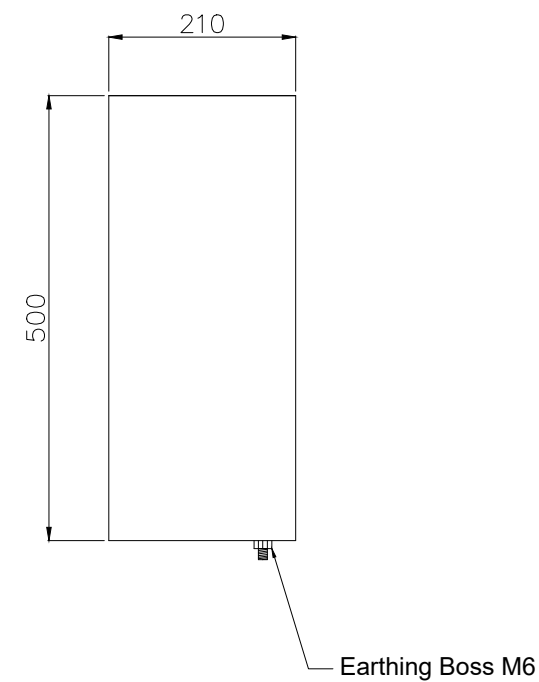
Front Side (Outside) View



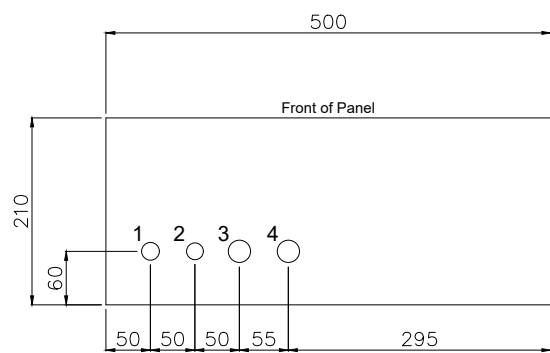
Front Side (Inside) View



Side (Outside) View



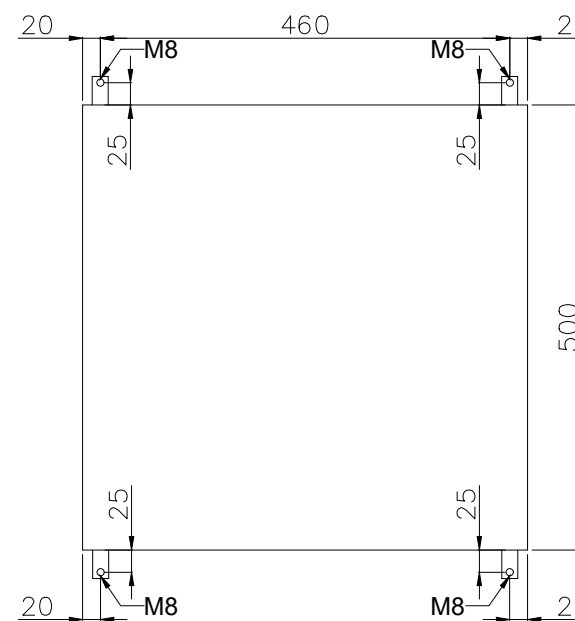
Bottom View



Gland Entry Details

1. M20 - 1x (Breather)
2. M20 - 1x (Spare)
3. M25 - 1x (Cable for Pushbuttons & Lamps)
4. M25 - 1x (Spare)

Back (Outside) View Mounting Details



GENERAL NOTES

- NOTES
1. PANEL DIMENSIONS: 500x500x210mm
 2. PANEL MATERIAL: SS316L STAINLESS STEEL
 3. PANEL COLOR: RAL7032 (GRAY)
 4. PANEL WALL THICKNESS: 1.6mm
 5. PANEL WEIGHT: ~20kg
 6. PANEL WILL BE RIGHT HINGED
 7. AREA CLASSIFICATION: Ex II 3G IIC T3 Eex'e'
 8. AMBIENT TEMPERATURE: 5°C/+48°C
 9. INGRESS PROTECTION: IP65
 10. CABLE RACEWAYS SHALL HAVE NO LESS THAN 20% SPARE CAPACITY.
 11. DIN RAIL TYPE: NS35
 12. SPARES WILL BE PLUGGED WITH SUS EX PLUG
 13. GLANDS WILL BE Ex'd IP65 NICKEL PLATED BRASS TYPE GLANDS
 14. ALL DIMENSIONS IN mm.
 15. EXTERNAL EARTH BOLT AND RELATED PARTS ARE ALL COPPER.
 16. INDICATION LAMP VOLTAGE: 24VDC

REF DRAWINGS	DWG.No.
Wiring Diagram	3944-VD-0171-DYP-RE-400-DIA-0002
I/O List	3944-VD-0171-DYP-RE-400-LST-0080
E&I System Config Diag.	3944-VD-0171-DYP-RE-400-DIA-0078

LEGEND

RESULT CODE: AP AN CO RE RESUBMISSION DATE:

NEXT STATUS: IFI IFA JFC ASB/IFIN

Approval or review hereunder shall not be construed to relieve Vendor/ Subcontractor of his responsibilities and liability under the Contract.

P.O. NO.:

M.R. NO.:

ITEM NO. (EQUIPMENT NO.):

VENDOR JOB NO.:

REV.	DATE	PURPOSE OF ISSUE (P.O.I.)	PREP.	CHKD.	APPR.	AC.
03	26/Aug/25	ISSUED FOR APPROVAL		RT	RB	SC
02	16/Jul/25	ISSUED FOR APPROVAL		RT	RB	SC
01	25/Apr/25	ISSUED FOR APPROVAL		RT	RB	SC
00	24/Mar/25	ISSUED FOR APPROVAL		RT	RB	SC

OWNER:



PROJECT:

300 KT POLYETHYLENE PLANT
ARYA SASOL POLYMER COMPANY (ASPC)

MC:



CONTRACTOR:



VENDOR:

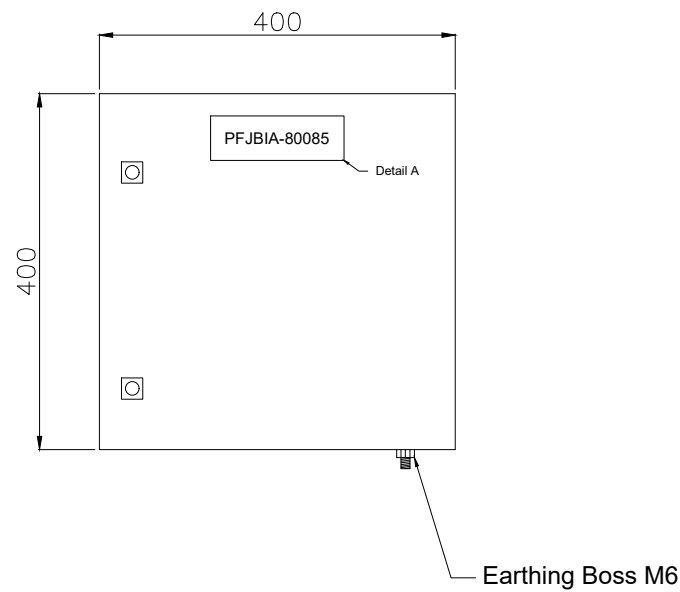


DRAWING TITLE:
PANEL LAYOUT DRAWING
LOCAL CONTROL PANEL 44LCP-8004051

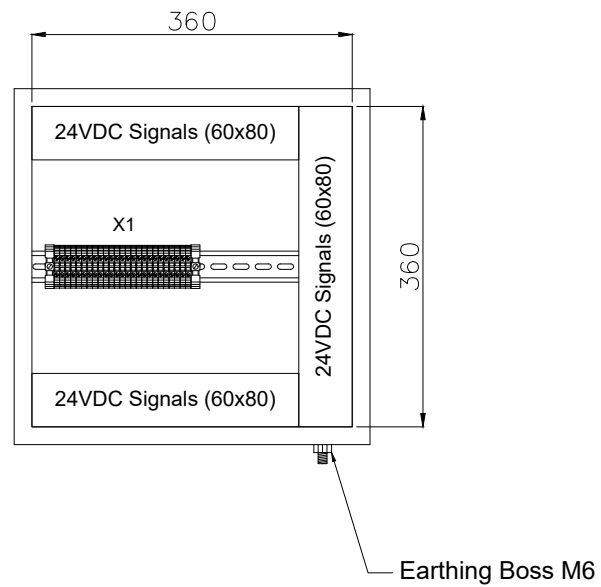
OWNER PROJECT NO.	VENDOR DWG.	MR NO.	VENDOR CODE	DISCIPLINE	UNIT	TYPE	SEQ.	
3944	VD	0171	DYP	RE	400	DWG	0003	
SCALE:	NONE	SIZE:	A0	SHEET NO.	20	OF 34	REV.	03

PFJBIA-80085

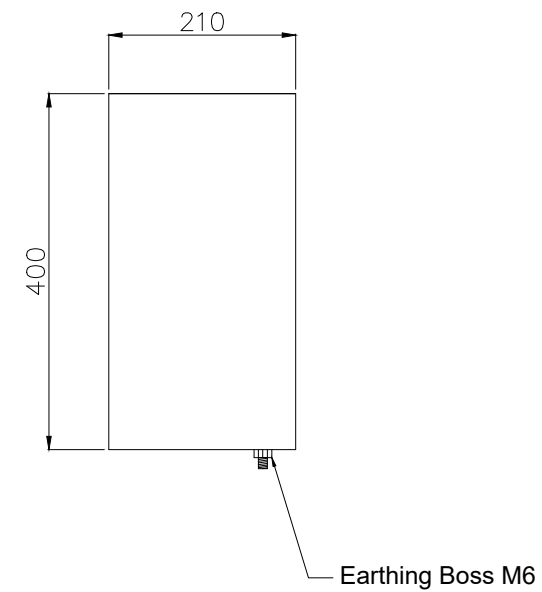
Front Side (Outside) View



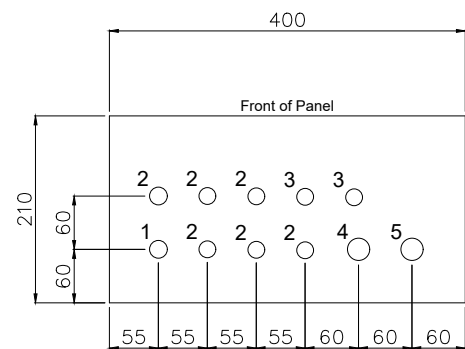
Front Side (Inside) View



Side (Outside) View



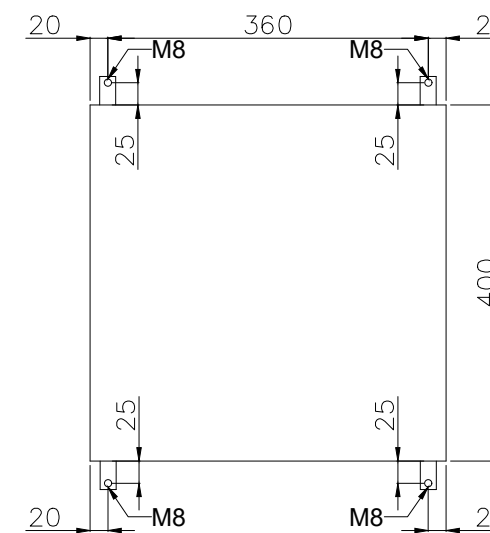
Bottom View



Gland Entry Details

1. M20 - 1x (Breather)
2. M20 - 6x (Cables from Transmitters)
3. M20 - 2x (Spare)
4. M25 - 1x (Multipair Cable from Customer)
5. M25 - 1x (Spare)

Back (Outside) View Mounting Details



GENERAL NOTES

- NOTES
1. PANEL DIMENSIONS: 400x400x210mm
 2. PANEL MATERIAL: SS316L STAINLESS STEEL
 3. PANEL COLOR: RAL7032 (GRAY)
 4. PANEL WALL THICKNESS: 1.6mm
 5. PANEL WEIGHT: ~15Kg
 6. PANEL WILL BE RIGHT HINGED
 7. AREA CLASSIFICATION: Ex II 3G IIC T3 Eex'e'
 8. AMBIENT TEMPERATURE: 5°C/+48°C
 9. INGRESS PROTECTION: IP65
 10. CABLE RACEWAYS SHALL HAVE NO LESS THAN 20% SPARE CAPACITY.
 11. DIN RAIL TYPE: NS35
 12. SPARES WILL BE PLUGGED WITH SUS EX PLUG
 13. GLANDS WILL BE Ex'd IP65 NICKEL PLATED BRASS TYPE GLANDS
 14. ALL DIMENSIONS IN mm.
 15. EXTERNAL EARTH BOLT AND RELATED PARTS ARE ALL COPPER.

REF DRAWINGS	DWG.No.
Wiring Diagram	3944-VD-0171-DYP-RE-400-DIA-0002
I/O List	3944-VD-0171-DYP-RE-400-LST-0080
E&I System Config Diag.	3944-VD-0171-DYP-RE-400-DIA-0078

LEGEND

RESULT CODE: AP AN CO RE RESUBMISSION DATE:

NEXT STATUS: IFI IFA JAC ASB/IFIN

Approval or review hereunder shall not be construed to relieve Vendor/ Subcontractor of his responsibilities and liability under the Contract.

P.O. NO.:

M.R. NO.:

ITEM NO. (EQUIPMENT NO.):

VENDRO JOB NO.:

REV.	DATE	PURPOSE OF ISSUE (P.O.I.)	PREP.	CHKD.	APPR.	AC.
03	26/Aug/25	ISSUED FOR APPROVAL	RT	RB	SC	-
02	16/Jul/25	ISSUED FOR APPROVAL	RT	RB	SC	-
01	25/Apr/25	ISSUED FOR APPROVAL	RT	RB	SC	-
00	24/Mar/25	ISSUED FOR APPROVAL	RT	RB	SC	-

OWNER:



PROJECT:

300 KT POLYETHYLENE PLANT
ARYA SASOL POLYMER COMPANY (ASPC)

MC:



CONTRACTOR:



VENDOR:



DRAWING TITLE:
PANEL LAYOUT DRAWING
LOCAL CONTROL PANEL PFJBIA-80085

OWNER DOC. NO.

OWNER PROJECT NO. | VENDOR DWG. | MR NO. | VENDOR CODE | DISCIPLINE | UNIT | TYPE | SEQ.

3944 | VD | 0171 | DYP | RE | 400 | DWG | 0003

SCALE: NONE | SIZE: A0 | SHEET NO. 21 OF 34 | REV. 03

No.	Description	Tag Number	Make	Model	Qty.
1	Running Indication Lamp (Green)	3H4	TBD	TBD	1
2	Fault Indication Lamp (Amber)	3H6	TBD	TBD	1
3	Start Pushbutton (Green)	2S4	TBD	TBD	1
4	Stop Pushbutton (Red)	2S6	TBD	TBD	1
5	Lamp Test Pushbutton (Black)	2S8	TBD	TBD	1
Terminal Strip Definition					
X1	Connection Pushbuttons & Lamps	X1	Phoenix Contact	3211760	21

GENERAL NOTES

NOTES
1. BILL OF MATERIALS (BOM) AS PER THE LATEST WIRING DIAGRAM.

REF DRAWINGS	DWG.No.
Wiring Diagram	3944-VD-0171-DYP-RE-400-DIA-0002
I/O List	3944-VD-0171-DYP-RE-400-LST-0080
E&I System Config Diag.	3944-VD-0171-DYP-RE-400-DIA-0078

LEGEND

RESULT CODE: AP AN CO RE

NEXT STATUS: IFI IFA AFC ASB/IFIN

Approval or review hereunder shall not be construed to relieve Vendor/ Subcontractor of his responsibilities and liability under the Contract.

P.O. NO.:
M.R. NO.:
ITEM NO. (EQUIPMENT NO.):
VENDRO JOB NO.:

REV.	DATE	PURPOSE OF ISSUE (P.O.I.)	PREP.	CHKD.	APPR.	AC.
03	26/Aug/25	ISSUED FOR APPROVAL	RT	RB	SC	--
02	16/Jul/25	ISSUED FOR APPROVAL	RT	RB	SC	--
01	25/Apr/25	ISSUED FOR APPROVAL	RT	RB	SC	--
00	24/Mar/25	ISSUED FOR APPROVAL	RT	RB	SC	--

OWNER:


PROJECT:
300 KT POLYETHYLENE PLANT
ARYA SASOL POLYMER COMPANY (ASPC)

MC:
 

CONTRACTOR:
 

VENDOR:

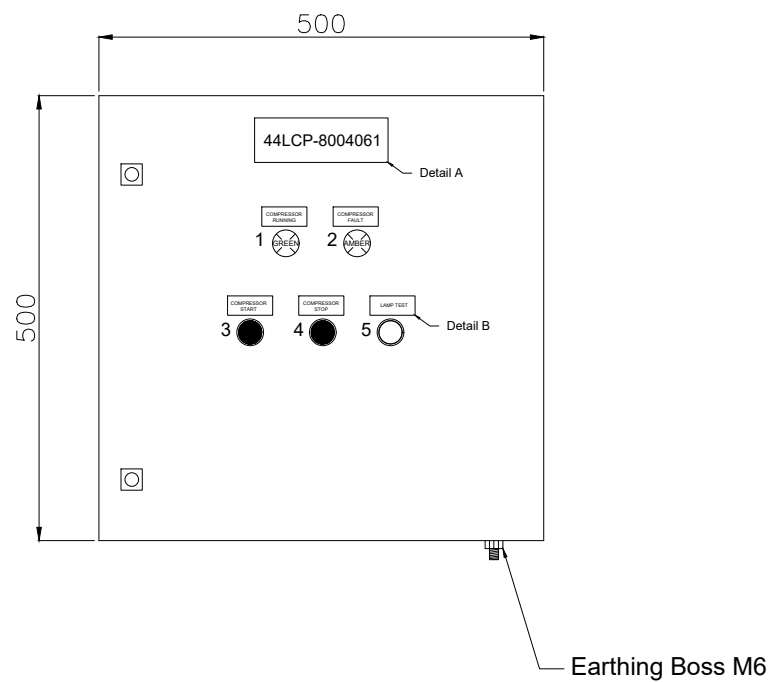

DRAWING TITLE:
PANEL LAYOUT DRAWING
BILL OF MATERIALS FOR
LOCAL CONTROL PANEL 44LCP-8004061

OWNER PROJECT NO.	VENDOR DWG.	MR NO.	VENDOR CODE	DISCIPLINE	UNIT	TYPE	SEQ.
3944	VD	0171	DYP	RE	400	DWG	0003

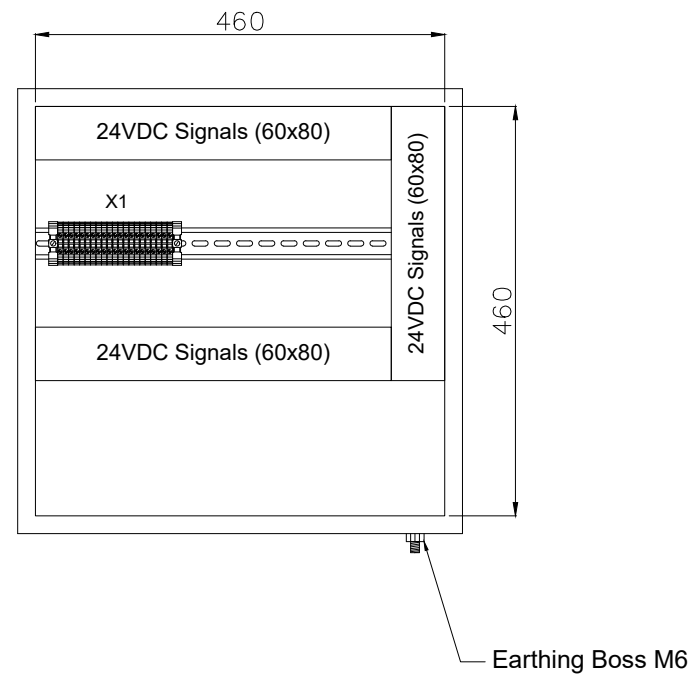
SCALE: NONE SIZE: A0 SHEET NO. 22 OF 34 REV. 03

44LCP-8004061

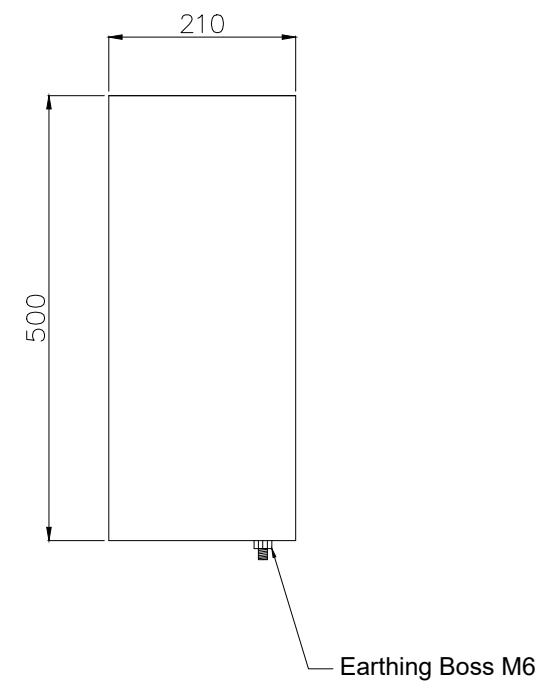
Front Side (Outside) View



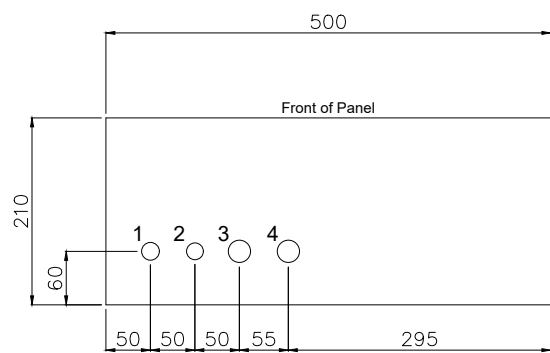
Front Side (Inside) View



Side (Outside) View



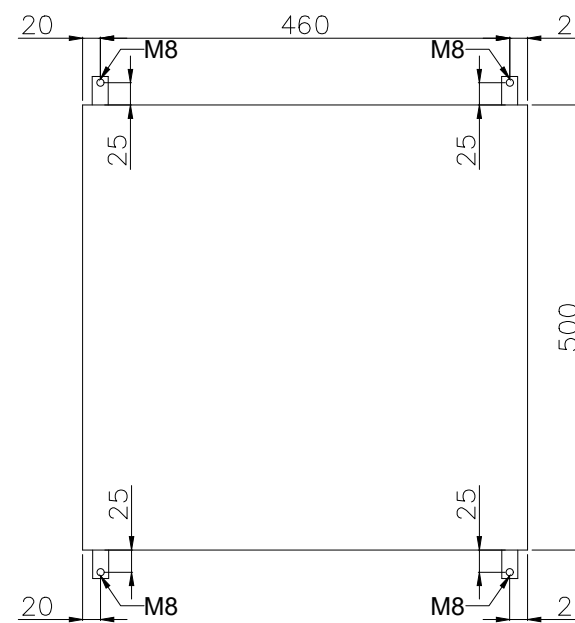
Bottom View



Gland Entry Details

1. M20 - 1x (Breather)
2. M20 - 1x (Spare)
3. M25 - 1x (Cable for Pushbuttons & Lamps)
4. M25 - 1x (Spare)

Back (Outside) View Mounting Details



GENERAL NOTES

- NOTES
1. PANEL DIMENSIONS: 500x500x210mm
 2. PANEL MATERIAL: SS316L STAINLESS STEEL
 3. PANEL COLOR: RAL7032 (GRAY)
 4. PANEL WALL THICKNESS: 1.6mm
 5. PANEL WEIGHT: ~20kg
 6. PANEL WILL BE RIGHT HINGED
 7. AREA CLASSIFICATION: Ex II 3G IIC T3 Eex'e'
 8. AMBIENT TEMPERATURE: 5°C/+48°C
 9. INGRESS PROTECTION: IP65
 10. CABLE RACEWAYS SHALL HAVE NO LESS THAN 20% SPARE CAPACITY.
 11. DIN RAIL TYPE: NS35
 12. SPARES WILL BE PLUGGED WITH SUS Ex PLUG
 13. GLANDS WILL BE Ex'd IP65 NICKEL PLATED BRASS TYPE GLANDS
 14. ALL DIMENSIONS IN mm.
 15. EXTERNAL EARTH BOLT AND RELATED PARTS ARE ALL COPPER.
 16. INDICATION LAMP VOLTAGE: 24VDC

REF DRAWINGS	DWG.No.
Wiring Diagram	3944-VD-0171-DYP-RE-400-DIA-0002
I/O List	3944-VD-0171-DYP-RE-400-LST-0080
E&I System Config Diag.	3944-VD-0171-DYP-RE-400-DIA-0078

LEGEND

RESULT CODE: AP AN CO RE RESUBMISSION DATE:

NEXT STATUS: IFI IFA JAF ASB/IFIN

Approval or review hereunder shall not be construed to relieve Vendor/ Subcontractor of his responsibilities and liability under the Contract.

P.O. NO.:

M.R. NO.:

ITEM NO. (EQUIPMENT NO.):

VENDOR JOB NO.:

REV.	DATE	PURPOSE OF ISSUE (P.O.I.)	PREP.	CHKD.	APPR.	AC.
03	26/Aug/25	ISSUED FOR APPROVAL		RT	RB	SC
02	16/Jul/25	ISSUED FOR APPROVAL		RT	RB	SC
01	25/Apr/25	ISSUED FOR APPROVAL		RT	RB	SC
00	24/Mar/25	ISSUED FOR APPROVAL		RT	RB	SC

OWNER:



PROJECT:

300 KT POLYETHYLENE PLANT
ARYA SASOL POLYMER COMPANY (ASPC)

MC:



CONTRACTOR:



VENDOR:

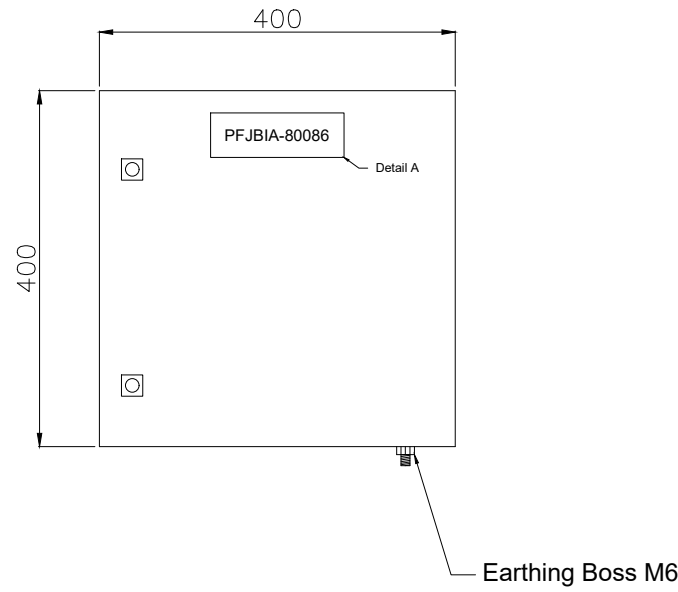


DRAWING TITLE:
PANEL LAYOUT DRAWING
LOCAL CONTROL PANEL 44LCP-8004061

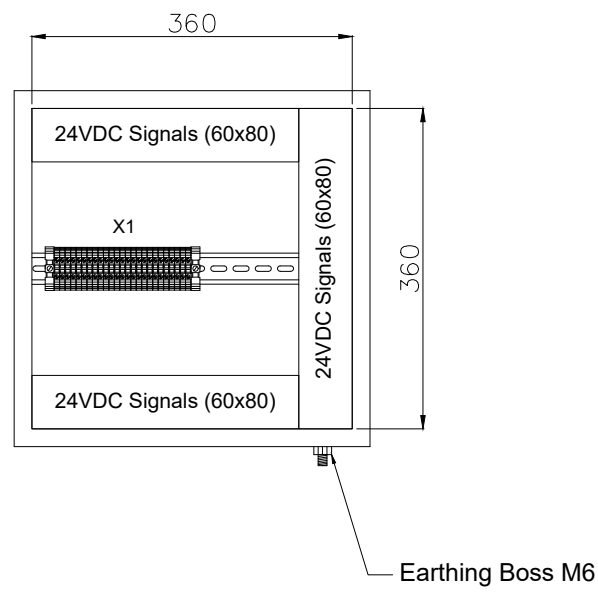
OWNER PROJECT NO.	VENDOR DWG.	MR NO.	VENDOR CODE	DISCIPLINE	UNIT	TYPE	SEQ.
3944	VD	0171	DYP	RE	400	DWG	0003
SCALE: NONE	SIZE: A0	SHEET NO. 23	OF 34	REV. 03			

PFJBIA-80086

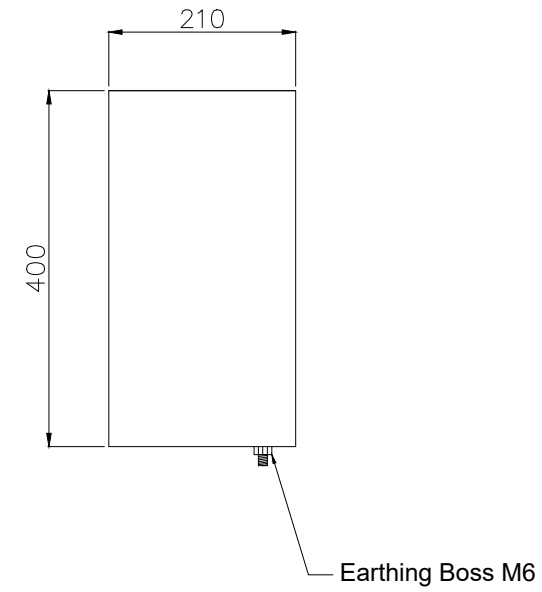
Front Side (Outside) View



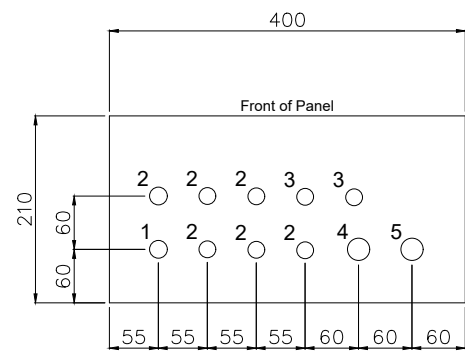
Front Side (Inside) View



Side (Outside) View



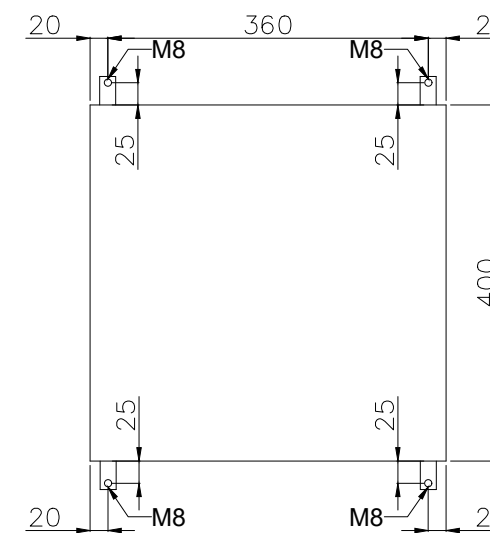
Bottom View



Gland Entry Details

1. M20 - 1x (Breather)
2. M20 - 6x (Cables from Transmitters)
3. M20 - 2x (Spare)
4. M25 - 1x (Multipair Cable from Customer)
5. M25 - 1x (Spare)

Back (Outside) View Mounting Details



GENERAL NOTES

- NOTES
1. PANEL DIMENSIONS: 400x400x210mm
 2. PANEL MATERIAL: SS316L STAINLESS STEEL
 3. PANEL COLOR: RAL7032 (GRAY)
 4. PANEL WALL THICKNESS: 1.6mm
 5. PANEL WEIGHT: ~15Kg
 6. PANEL WILL BE RIGHT HINGED
 7. AREA CLASSIFICATION: Ex II 3G IIC T3 Eex'e'
 8. AMBIENT TEMPERATURE: 5°C/+48°C
 9. INGRESS PROTECTION: IP65
 10. CABLE RACEWAYS SHALL HAVE NO LESS THAN 20% SPARE CAPACITY.
 11. DIN RAIL TYPE: NS35
 12. SPARES WILL BE PLUGGED WITH SUS EX PLUG
 13. GLANDS WILL BE Ex'd IP65 NICKEL PLATED BRASS TYPE GLANDS
 14. ALL DIMENSIONS IN mm.
 15. EXTERNAL EARTH BOLT AND RELATED PARTS ARE ALL COPPER.

REF DRAWINGS	DWG.No.
Wiring Diagram	3944-VD-0171-DYP-RE-400-DIA-0002
I/O List	3944-VD-0171-DYP-RE-400-LST-0080
E&I System Config Diag.	3944-VD-0171-DYP-RE-400-DIA-0078

LEGEND

RESULT CODE: AP AN CO RE RESUBMISSION DATE:

NEXT STATUS: IFI IFA JAF ASB/IFIN

Approval or review hereunder shall not be construed to relieve Vendor/ Subcontractor of his responsibilities and liability under the Contract.

P.O. NO.:

M.R. NO.:

ITEM NO. (EQUIPMENT NO.):

VENDRO JOB NO.:

REV.	DATE	PURPOSE OF ISSUE (P.O.I.)	PREP.	CHKD.	APPR.	AC.
03	26/Aug/25	ISSUED FOR APPROVAL	RT	RB	SC	-
02	16/Jul/25	ISSUED FOR APPROVAL	RT	RB	SC	-
01	25/Apr/25	ISSUED FOR APPROVAL	RT	RB	SC	-
00	24/Mar/25	ISSUED FOR APPROVAL	RT	RB	SC	-

OWNER:



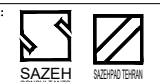
PROJECT:

300 KT POLYETHYLENE PLANT
ARYA SASOL POLYMER COMPANY (ASPC)

MC:



CONTRACTOR:



VENDOR:

DYPNF

DRAWING TITLE:
PANEL LAYOUT DRAWING
LOCAL CONTROL PANEL PFJBIA-80086

OWNER DOC. NO.

OWNER PROJECT NO.	VENDOR DWG.	MR NO.	VENDOR CODE	DISCIPLINE	UNIT	TYPE	SEQ.
3944	VD	0171	DYP	RE	400	DWG	0003

SCALE: NONE SIZE: A0 SHEET NO. 24 OF 34 REV. 03

No.	Description	Tag Number	Make	Model	Qty.
1	Running Indication Lamp (Green)	3H4	TBD	TBD	1
2	Fault Indication Lamp (Amber)	3H6	TBD	TBD	1
3	Start Pushbutton (Green)	2S4	TBD	TBD	1
4	Stop Pushbutton (Red)	2S6	TBD	TBD	1
5	Lamp Test Pushbutton (Black)	2S8	TBD	TBD	1
Terminal Strip Definition					
X1	Connection Pushbuttons & Lamps	X1	Phoenix Contact	3211760	21

GENERAL NOTES

NOTES
1. BILL OF MATERIALS (BOM) AS PER THE LATEST WIRING DIAGRAM.

REF DRAWINGS	DWG.No.
Wiring Diagram	3944-VD-0171-DYP-RE-400-DIA-0002
I/O List	3944-VD-0171-DYP-RE-400-LST-0080
E&I System Config Diag.	3944-VD-0171-DYP-RE-400-DIA-0078

LEGEND

RESULT CODE: AP AN CO RE

NEXT STATUS: IFI IFA AFC ASB/IFIN

Approval or review hereunder shall not be construed to relieve Vendor/ Subcontractor of his responsibilities and liability under the Contract.

P.O. NO.:
M.R. NO.:
ITEM NO. (EQUIPMENT NO.):
VENDRO JOB NO.:

REV.	DATE	PURPOSE OF ISSUE (P.O.I.)	PREP.	CHKD.	APPR.	AC.
03	26/Aug/25	ISSUED FOR APPROVAL	RT	RB	SC	--
02	16/Jul/25	ISSUED FOR APPROVAL	RT	RB	SC	--
01	25/Apr/25	ISSUED FOR APPROVAL	RT	RB	SC	--
00	24/Mar/25	ISSUED FOR APPROVAL	RT	RB	SC	--

OWNER:


PROJECT:
300 KT POLYETHYLENE PLANT
ARYA SASOL POLYMER COMPANY (ASPC)

MC:
 

CONTRACTOR:
 

VENDOR:

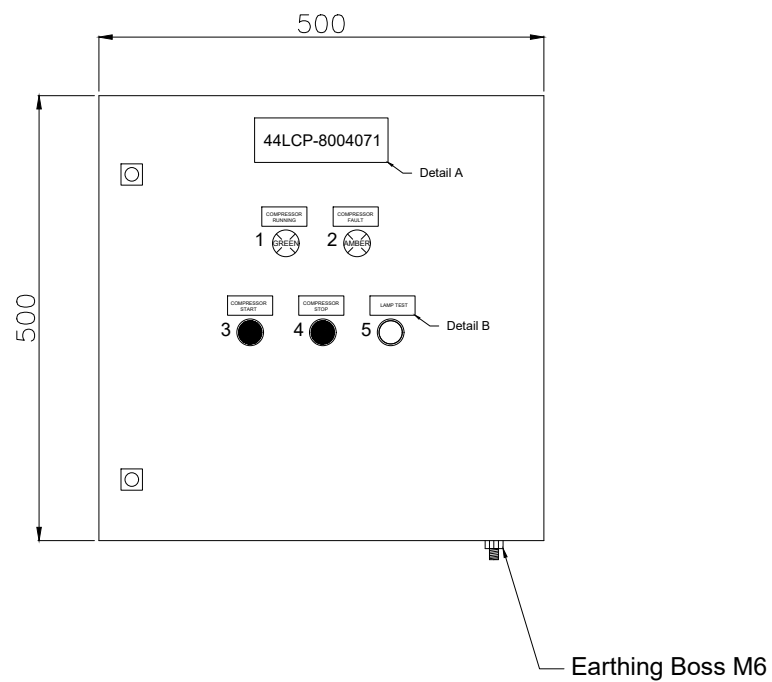

DRAWING TITLE:
PANEL LAYOUT DRAWING
BILL OF MATERIALS FOR
LOCAL CONTROL PANEL 44LCP-8004071

OWNER	PROJECT NO.	VENDOR DWG.	MR NO.	VENDOR CODE	DISCIPLINE	UNIT	TYPE	SEQ.
3944	VD	0171	DYP	RE	400	DWG	0003	

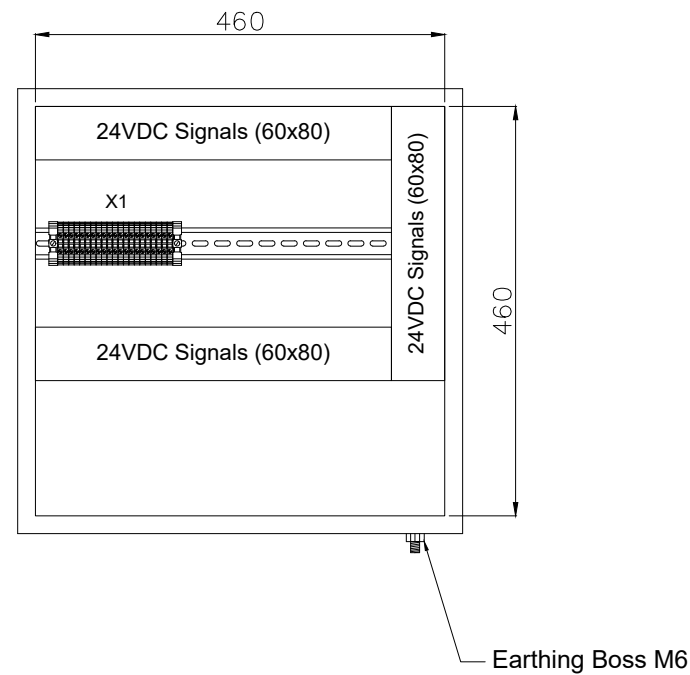
SCALE: NONE SIZE: A0 SHEET NO. 25 OF 34 REV. 03

44LCP-8004071

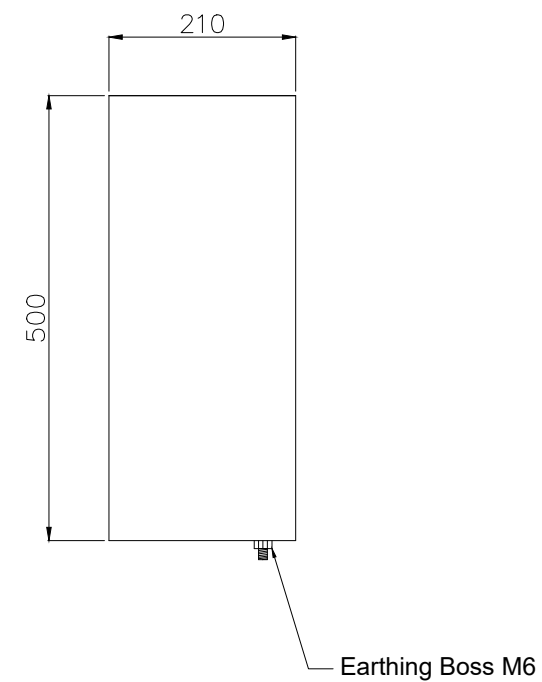
Front Side (Outside) View



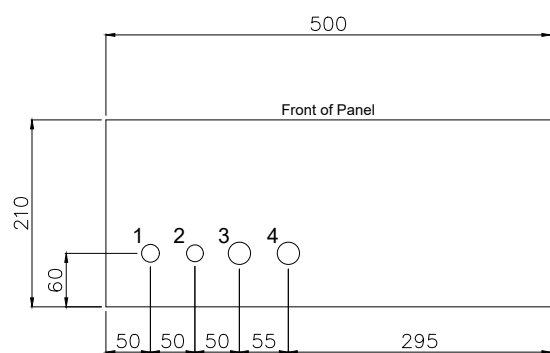
Front Side (Inside) View



Side (Outside) View



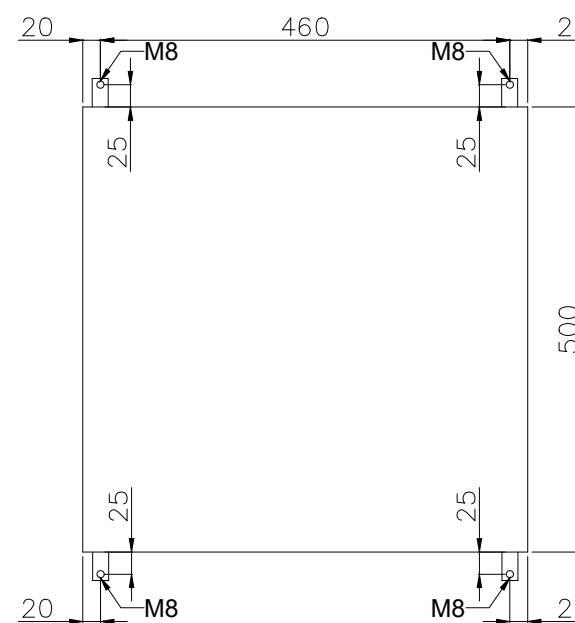
Bottom View



Gland Entry Details

1. M20 - 1x (Breather)
2. M20 - 1x (Spare)
3. M25 - 1x (Cable for Pushbuttons & Lamps)
4. M25 - 1x (Spare)

Back (Outside) View Mounting Details



GENERAL NOTES

- NOTES
1. PANEL DIMENSIONS: 500x500x210mm
 2. PANEL MATERIAL: SS316L STAINLESS STEEL
 3. PANEL COLOR: RAL7032 (GRAY)
 4. PANEL WALL THICKNESS: 1.6mm
 5. PANEL WEIGHT: ~20kg
 6. PANEL WILL BE RIGHT HINGED
 7. AREA CLASSIFICATION: Ex II 3G IIC T3 Eex'e'
 8. AMBIENT TEMPERATURE: 5°C/+48°C
 9. INGRESS PROTECTION: IP65
 10. CABLE RACEWAYS SHALL HAVE NO LESS THAN 20% SPARE CAPACITY.
 11. DIN RAIL TYPE: NS35
 12. SPARES WILL BE PLUGGED WITH SUS Ex PLUG
 13. GLANDS WILL BE Ex'd IP65 NICKEL PLATED BRASS TYPE GLANDS
 14. ALL DIMENSIONS IN mm.
 15. EXTERNAL EARTH BOLT AND RELATED PARTS ARE ALL COPPER.
 16. INDICATION LAMP VOLTAGE: 24VDC

REF DRAWINGS	DWG.No.
Wiring Diagram	3944-VD-0171-DYP-RE-400-DIA-0002
I/O List	3944-VD-0171-DYP-RE-400-LST-0080
E&I System Config Diag.	3944-VD-0171-DYP-RE-400-DIA-0078

LEGEND

RESULT CODE: AP AN CO RE RESUBMISSION DATE:

NEXT STATUS: IFI IFA AFC ASB/IFIN

Approval or review hereunder shall not be construed to relieve Vendor/ Subcontractor of his responsibilities and liability under the Contract.

P.O. NO.:

M.R. NO.:

ITEM NO. (EQUIPMENT NO.):

VENDRO JOB NO.:

REV.	DATE	PURPOSE OF ISSUE (P.O.I.)	PREP.	CHKD.	APPR.	AC.
03	26/Aug/25	ISSUED FOR APPROVAL		RT	RB	SC
02	16/Jul/25	ISSUED FOR APPROVAL		RT	RB	SC
01	25/Apr/25	ISSUED FOR APPROVAL		RT	RB	SC
00	24/Mar/25	ISSUED FOR APPROVAL		RT	RB	SC

OWNER:



PROJECT:

300 KT POLYETHYLENE PLANT
ARYA SASOL POLYMER COMPANY (ASPC)

MC:



CONTRACTOR:



VENDOR:

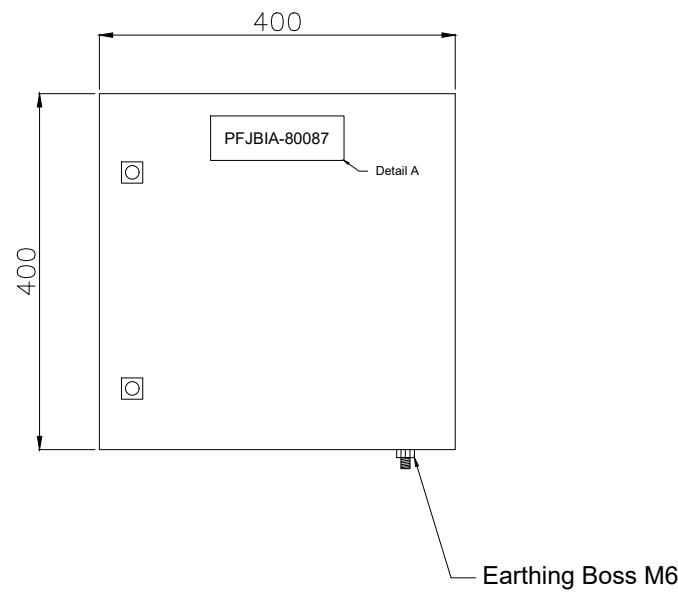


DRAWING TITLE:
PANEL LAYOUT DRAWING
LOCAL CONTROL PANEL 44LCP-8004071

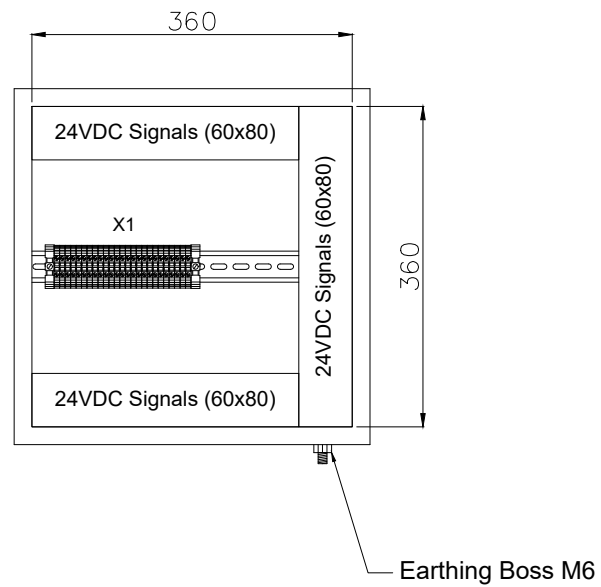
OWNER PROJECT NO.	VENDOR DWG.	MR NO.	VENDOR CODE	DISCIPLINE	UNIT	TYPE	SEQ.	
3944	VD	0171	DYP	RE	400	DWG	0003	
SCALE:	NONE	SIZE:	A0	SHEET NO.	26	OF 34	REV.	03

PFJBIA-80087

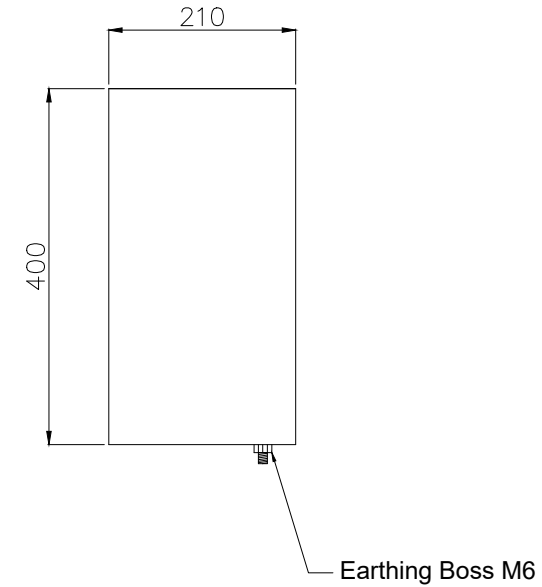
Front Side (Outside) View



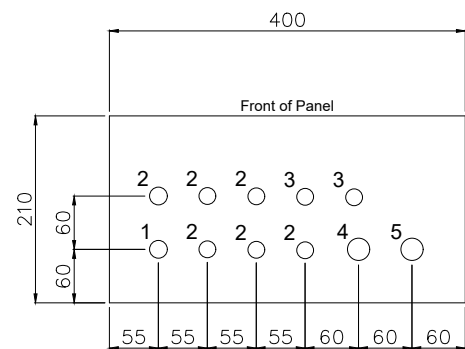
Front Side (Inside) View



Side (Outside) View



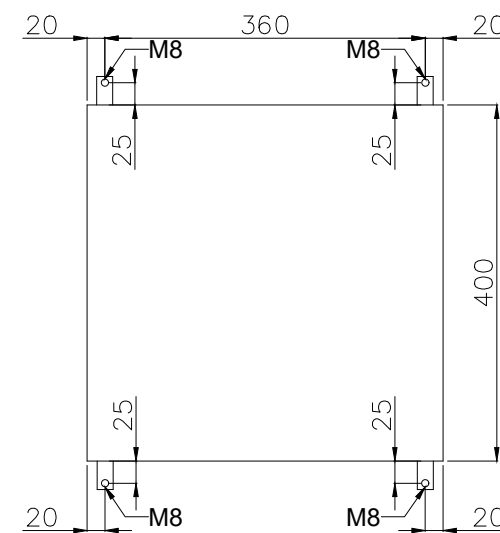
Bottom View



Gland Entry Details

1. M20 - 1x (Breather)
2. M20 - 6x (Cables from Transmitters)
3. M20 - 2x (Spare)
4. M25 - 1x (Multipair Cable from Customer)
5. M25 - 1x (Spare)

Back (Outside) View Mounting Details



GENERAL NOTES

- NOTES
1. PANEL DIMENSIONS: 400x400x210mm
 2. PANEL MATERIAL: SS316L STAINLESS STEEL
 3. PANEL COLOR: RAL7032 (GRAY)
 4. PANEL WALL THICKNESS: 1.6mm
 5. PANEL WEIGHT: ~15Kg
 6. PANEL WILL BE RIGHT HINGED
 7. AREA CLASSIFICATION: Ex II 3G IIC T3 Eex'e'
 8. AMBIENT TEMPERATURE: 5°C/+48°C
 9. INGRESS PROTECTION: IP65
 10. CABLE RACEWAYS SHALL HAVE NO LESS THAN 20% SPARE CAPACITY.
 11. DIN RAIL TYPE: NS35
 12. SPARES WILL BE PLUGGED WITH SUS EX PLUG
 13. GLANDS WILL BE Ex'd IP65 NICKEL PLATED BRASS TYPE GLANDS
 14. ALL DIMENSIONS IN mm.
 15. EXTERNAL EARTH BOLT AND RELATED PARTS ARE ALL COPPER.

REF DRAWINGS	DWG.No.
Wiring Diagram	3944-VD-0171-DYP-RE-400-DIA-0002
I/O List	3944-VD-0171-DYP-RE-400-LST-0080
E&I System Config Diag.	3944-VD-0171-DYP-RE-400-DIA-0078

LEGEND

RESULT CODE: AP AN CO RE RESUBMISSION DATE:

NEXT STATUS: IFI IFA JAF ASB/IFIN

Approval or review hereunder shall not be construed to relieve Vendor/ Subcontractor of his responsibilities and liability under the Contract.

P.O. NO.:

M.R. NO.:

ITEM NO. (EQUIPMENT NO.):

VENDRO JOB NO.:

REV.	DATE	PURPOSE OF ISSUE (P.O.I.)	PREP.	CHKD.	APPR.	AC.
03	26/Aug/25	ISSUED FOR APPROVAL	RT	RB	SC	-
02	16/Jul/25	ISSUED FOR APPROVAL	RT	RB	SC	-
01	25/Apr/25	ISSUED FOR APPROVAL	RT	RB	SC	-
00	24/Mar/25	ISSUED FOR APPROVAL	RT	RB	SC	-

OWNER:



PROJECT:

300 KT POLYETHYLENE PLANT
ARYA SASOL POLYMER COMPANY (ASPC)

MC:



CONTRACTOR:



VENDOR:



DRAWING TITLE:
PANEL LAYOUT DRAWING
LOCAL CONTROL PANEL PFJBIA-80087

OWNER PROJECT NO.	VENDOR DWG.	MR NO.	VENDOR CODE	DISCIPLINE	UNIT	TYPE	SEQ.
3944	VD	0171	DYP	RE	400	DWG	0003
SCALE:	NONE	SIZE:	A0	SHEET NO.	27	OF 34	REV. 03

No.	Description	Tag Number	Make	Model	Qty.
1	Running Indication Lamp (Green)	3H4	TBD	TBD	1
2	Fault Indication Lamp (Amber)	3H6	TBD	TBD	1
3	Start Pushbutton (Green)	2S4	TBD	TBD	1
4	Stop Pushbutton (Red)	2S6	TBD	TBD	1
5	Lamp Test Pushbutton (Black)	2S8	TBD	TBD	1
Terminal Strip Definition					
X1	Connection Pushbuttons & Lamps	X1	Phoenix Contact	3211760	21

GENERAL NOTES

NOTES
1. BILL OF MATERIALS (BOM) AS PER THE LATEST WIRING DIAGRAM.

REF DRAWINGS	DWG.No.
Wiring Diagram	3944-VD-0171-DYP-RE-400-DIA-0002
I/O List	3944-VD-0171-DYP-RE-400-LST-0080
E&I System Config Diag.	3944-VD-0171-DYP-RE-400-DIA-0078

LEGEND

RESULT CODE: AP AN CO RE

NEXT STATUS: IFI IFA AFC ASB/IFIN

Approval or review hereunder shall not be construed to relieve Vendor/ Subcontractor of his responsibilities and liability under the Contract.

P.O. NO.:
M.R. NO.:
ITEM NO. (EQUIPMENT NO.):
VENDRO JOB NO.:

REV.	DATE	PURPOSE OF ISSUE (P.O.I.)	PREP.	CHKD.	APPR.	AC.
03	26/Aug/25	ISSUED FOR APPROVAL	RT	RB	SC	--
02	16/Jul/25	ISSUED FOR APPROVAL	RT	RB	SC	--
01	25/Apr/25	ISSUED FOR APPROVAL	RT	RB	SC	--
00	24/Mar/25	ISSUED FOR APPROVAL	RT	RB	SC	--

OWNER:


PROJECT:
300 KT POLYETHYLENE PLANT
ARYA SASOL POLYMER COMPANY (ASPC)

MC:
 

CONTRACTOR:
 

VENDOR:


DRAWING TITLE:
PANEL LAYOUT DRAWING
BILL OF MATERIALS FOR
LOCAL CONTROL PANEL 44LCP-8004081

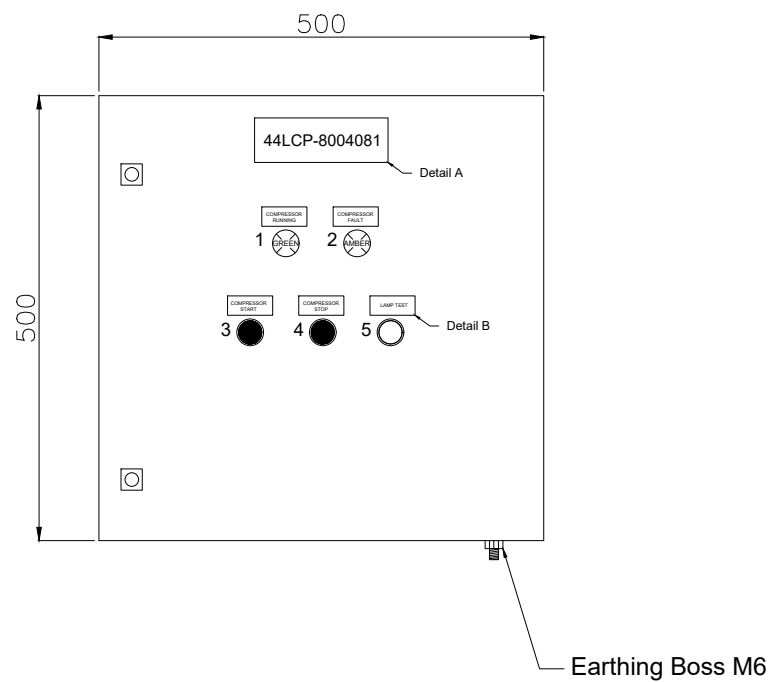
OWNER DOC. NO.

OWNER PROJECT NO.	VENDOR DWG.	MR NO.	VENDOR CODE	DISCIPLINE	UNIT	TYPE	SEQ.
3944	VD	0171	DYP	RE	400	DWG	0003

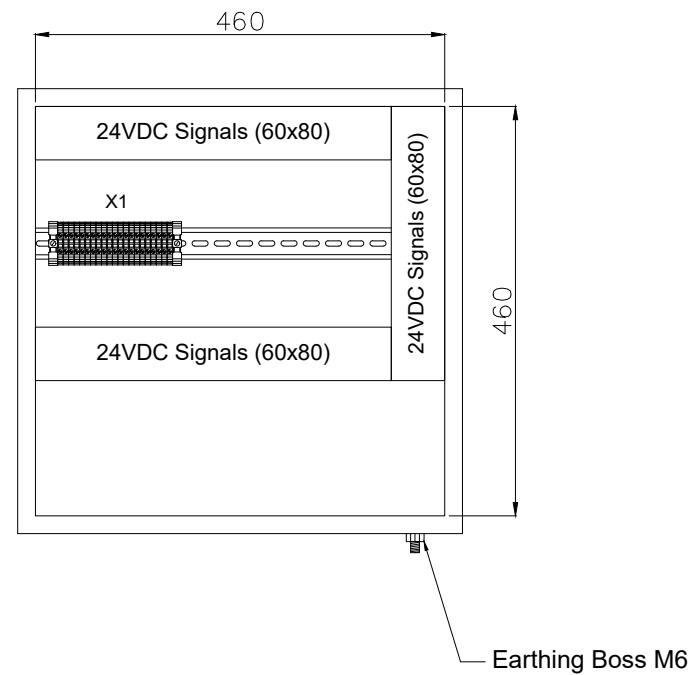
SCALE: NONE SIZE: A0 SHEET NO. 28 OF 34 REV. 03

44LCP-8004081

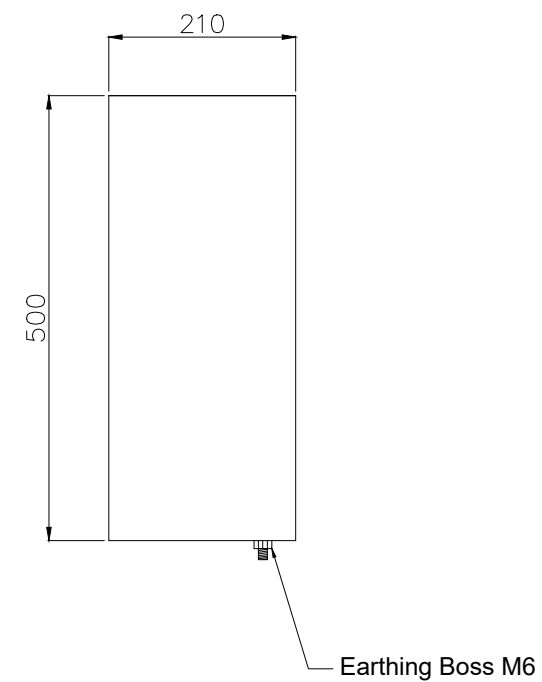
Front Side (Outside) View



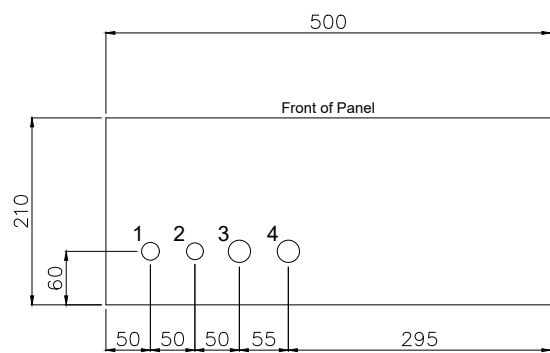
Front Side (Inside) View



Side (Outside) View



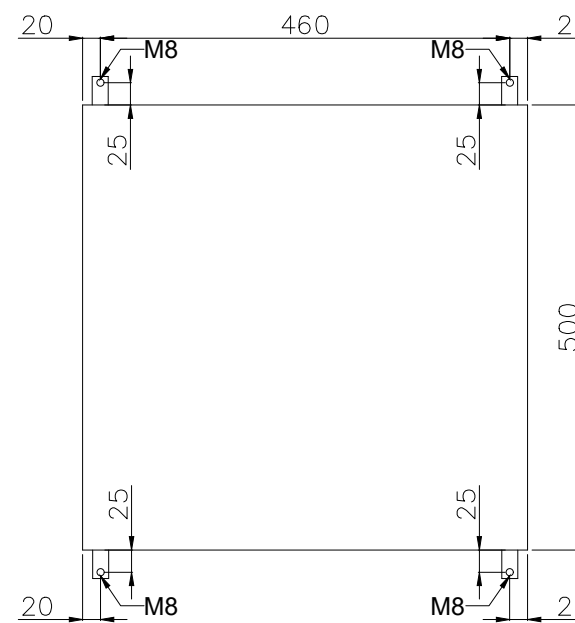
Bottom View



Gland Entry Details

1. M20 - 1x (Breather)
2. M20 - 1x (Spare)
3. M25 - 1x (Cable for Pushbuttons & Lamps)
4. M25 - 1x (Spare)

Back (Outside) View Mounting Details



GENERAL NOTES

- NOTES
1. PANEL DIMENSIONS: 500x500x210mm
 2. PANEL MATERIAL: SS316L STAINLESS STEEL
 3. PANEL COLOR: RAL7032 (GRAY)
 4. PANEL WALL THICKNESS: 1.6mm
 5. PANEL WEIGHT: ~20kg
 6. PANEL WILL BE RIGHT HINGED
 7. AREA CLASSIFICATION: Ex II 3G IIC T3 Eex'e'
 8. AMBIENT TEMPERATURE: 5°C/+48°C
 9. INGRESS PROTECTION: IP65
 10. CABLE RACEWAYS SHALL HAVE NO LESS THAN 20% SPARE CAPACITY.
 11. DIN RAIL TYPE: NS35
 12. SPARES WILL BE PLUGGED WITH SUS EX PLUG
 13. GLANDS WILL BE Ex'd IP65 NICKEL PLATED BRASS TYPE GLANDS
 14. ALL DIMENSIONS IN mm.
 15. EXTERNAL EARTH BOLT AND RELATED PARTS ARE ALL COPPER.
 16. INDICATION LAMP VOLTAGE: 24VDC

REF DRAWINGS	DWG.No.
Wiring Diagram	3944-VD-0171-DYP-RE-400-DIA-0002
I/O List	3944-VD-0171-DYP-RE-400-LST-0080
E&I System Config Diag.	3944-VD-0171-DYP-RE-400-DIA-0078

LEGEND

RESULT CODE: AP AN CO RE RESUBMISSION DATE:

NEXT STATUS: IFI IFA JAF ASB/IFIN

Approval or review hereunder shall not be construed to relieve Vendor/ Subcontractor of his responsibilities and liability under the Contract.

P.O. NO.:

M.R. NO.:

ITEM NO. (EQUIPMENT NO.):

VENDOR JOB NO.:

REV.	DATE	PURPOSE OF ISSUE (P.O.I.)	PREP.	CHKD.	APPR.	AC.
03	26/Aug/25	ISSUED FOR APPROVAL		RT	RB	SC
02	16/Jul/25	ISSUED FOR APPROVAL		RT	RB	SC
01	25/Apr/25	ISSUED FOR APPROVAL		RT	RB	SC
00	24/Mar/25	ISSUED FOR APPROVAL		RT	RB	SC

OWNER:



PROJECT:
300 KT POLYETHYLENE PLANT
ARYA SASOL POLYMER COMPANY (ASPC)

MC:

CONTRACTOR:

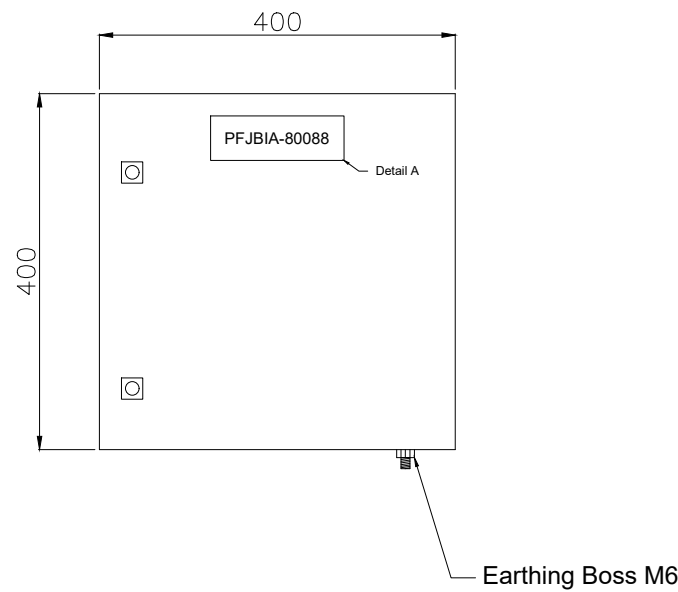
VENDOR:

DRAWING TITLE:
PANEL LAYOUT DRAWING
LOCAL CONTROL PANEL 44LCP-8004081

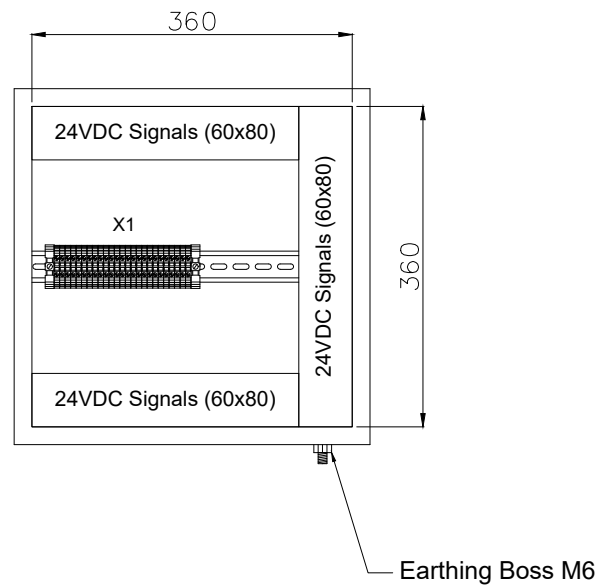
OWNER PROJECT NO.	VENDOR DWG.	MR NO.	VENDOR CODE	DISCIPLINE	UNIT	TYPE	SEQ.
3944	VD	0171	DYP	RE	400	DWG	0003
SCALE:	NONE	SIZE:	A0	SHEET NO.	29	OF 34	REV. 03

PFJBIA-80088

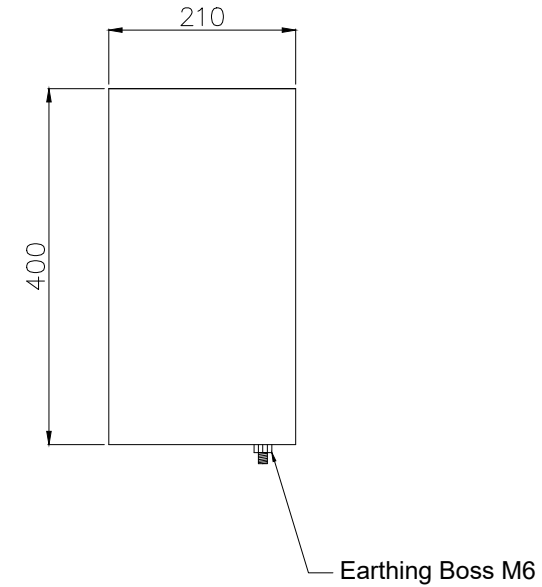
Front Side (Outside) View



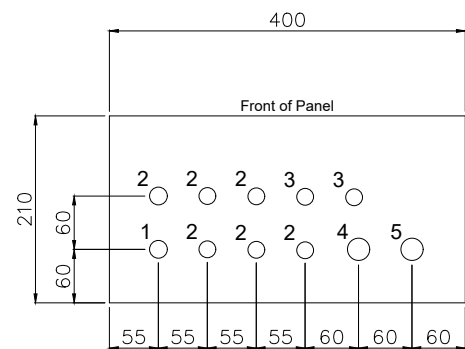
Front Side (Inside) View



Side (Outside) View



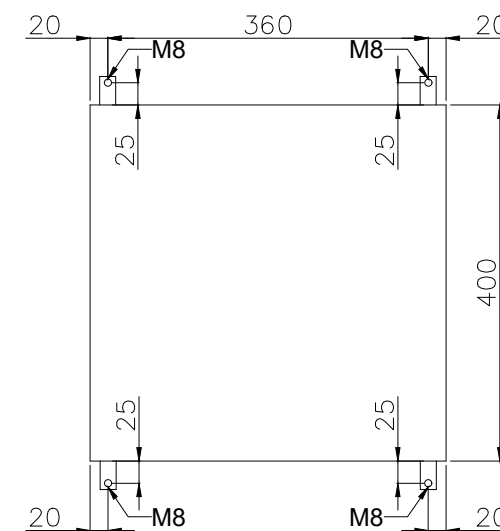
Bottom View



Gland Entry Details

1. M20 - 1x (Breather)
2. M20 - 6x (Cables from Transmitters)
3. M20 - 2x (Spare)
4. M25 - 1x (Multipair Cable from Customer)
5. M25 - 1x (Spare)

Back (Outside) View Mounting Details



GENERAL NOTES

- NOTES
1. PANEL DIMENSIONS: 400x400x210mm
 2. PANEL MATERIAL: SS316L STAINLESS STEEL
 3. PANEL COLOR: RAL7032 (GRAY)
 4. PANEL WALL THICKNESS: 1.6mm
 5. PANEL WEIGHT: ~15Kg
 6. PANEL WILL BE RIGHT HINGED
 7. AREA CLASSIFICATION: Ex II 3G IIC T3 Eex'e'
 8. AMBIENT TEMPERATURE: 5°C/+48°C
 9. INGRESS PROTECTION: IP65
 10. CABLE RACEWAYS SHALL HAVE NO LESS THAN 20% SPARE CAPACITY.
 11. DIN RAIL TYPE: NS35
 12. SPARES WILL BE PLUGGED WITH SUS EX PLUG
 13. GLANDS WILL BE Ex'd IP65 NICKEL PLATED BRASS TYPE GLANDS
 14. ALL DIMENSIONS IN mm.
 15. EXTERNAL EARTH BOLT AND RELATED PARTS ARE ALL COPPER.

REF DRAWINGS	DWG.No.
Wiring Diagram	3944-VD-0171-DYP-RE-400-DIA-0002
I/O List	3944-VD-0171-DYP-RE-400-LST-0080
E&I System Config Diag.	3944-VD-0171-DYP-RE-400-DIA-0078

LEGEND

RESULT CODE: AP AN CO RE RESUBMISSION DATE:

NEXT STATUS: IFI IFA JAF ASB/IFIN

Approval or review hereunder shall not be construed to relieve Vendor/ Subcontractor of his responsibilities and liability under the Contract.

P.O. NO.:

M.R. NO.:

ITEM NO. (EQUIPMENT NO.):

VENDRO JOB NO.:

REV.	DATE	PURPOSE OF ISSUE (P.O.I.)	PREP.	CHKD.	APPR.	AC.
03	26/Aug/25	ISSUED FOR APPROVAL	RT	RB	SC	-
02	16/Jul/25	ISSUED FOR APPROVAL	RT	RB	SC	-
01	25/Apr/25	ISSUED FOR APPROVAL	RT	RB	SC	-
00	24/Mar/25	ISSUED FOR APPROVAL	RT	RB	SC	-

OWNER:



PROJECT:

300 KT POLYETHYLENE PLANT
ARYA SASOL POLYMER COMPANY (ASPC)

MC:



CONTRACTOR:



VENDOR:



DRAWING TITLE:
PANEL LAYOUT DRAWING
LOCAL CONTROL PANEL PFJBIA-80088

OWNER PROJECT NO.	VENDOR DWG.	MR NO.	VENDOR CODE	DISCIPLINE	UNIT	TYPE	SEQ.
3944	VD	0171	DYP	RE	400	DWG	0003
SCALE:	NONE	SIZE:	A0	SHEET NO.	30	OF 34	REV. 03

No.	Description	Tag Number	Make	Model	Qty.
1	Running Indication Lamp (Green)	3H4	TBD	TBD	1
2	Fault Indication Lamp (Amber)	3H6	TBD	TBD	1
3	Start Pushbutton (Green)	2S4	TBD	TBD	1
4	Stop Pushbutton (Red)	2S6	TBD	TBD	1
5	Lamp Test Pushbutton (Black)	2S8	TBD	TBD	1
Terminal Strip Definition					
X1	Connection Pushbuttons & Lamps	X1	Phoenix Contact	3211760	21

GENERAL NOTES

NOTES
1. BILL OF MATERIALS (BOM) AS PER THE LATEST WIRING DIAGRAM.

REF DRAWINGS	DWG.No.
Wiring Diagram	3944-VD-0171-DYP-RE-400-DIA-0002
I/O List	3944-VD-0171-DYP-RE-400-LST-0080
E&I System Config Diag.	3944-VD-0171-DYP-RE-400-DIA-0078

LEGEND

RESULT CODE: AP AN CO RE

NEXT STATUS: IFI IFA AFC ASB/IFIN

Approval or review hereunder shall not be construed to relieve Vendor/ Subcontractor of his responsibilities and liability under the Contract.

P.O. NO.:
M.R. NO.:
ITEM NO. (EQUIPMENT NO.):
VENDRO JOB NO.:

REV.	DATE	PURPOSE OF ISSUE (P.O.I.)	PREP.	CHKD.	APPR.	AC.
03	26/Aug/25	ISSUED FOR APPROVAL	RT	RB	SC	--
02	16/Jul/25	ISSUED FOR APPROVAL	RT	RB	SC	--
01	25/Apr/25	ISSUED FOR APPROVAL	RT	RB	SC	--
00	24/Mar/25	ISSUED FOR APPROVAL	RT	RB	SC	--

OWNER:


PROJECT:
300 KT POLYETHYLENE PLANT
ARYA SASOL POLYMER COMPANY (ASPC)

MC:
 

CONTRACTOR:
 

VENDOR:

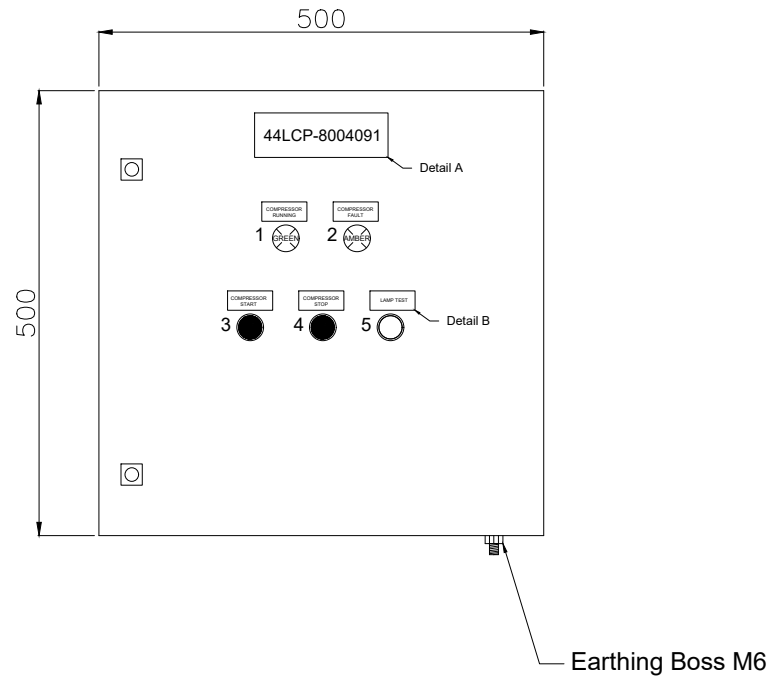

DRAWING TITLE:
PANEL LAYOUT DRAWING
BILL OF MATERIALS FOR
LOCAL CONTROL PANEL 44LCP-8004091

OWNER	PROJECT NO.	VENDOR DWG.	MR NO.	VENDOR CODE	DISCIPLINE	UNIT	TYPE	SEQ.
3944	VD	0171	DYP	RE	400	DWG	0003	

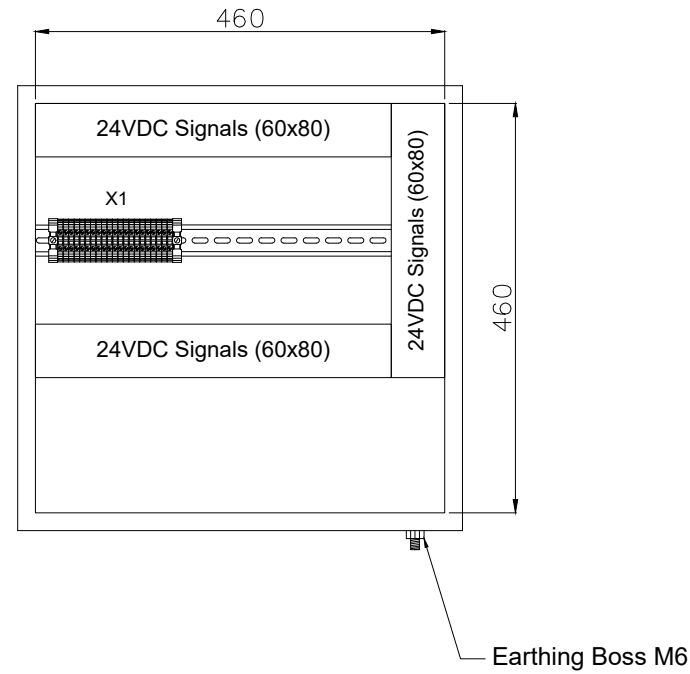
SCALE: NONE SIZE: A0 SHEET NO. 31 OF 34 REV. 03

44LCP-8004091

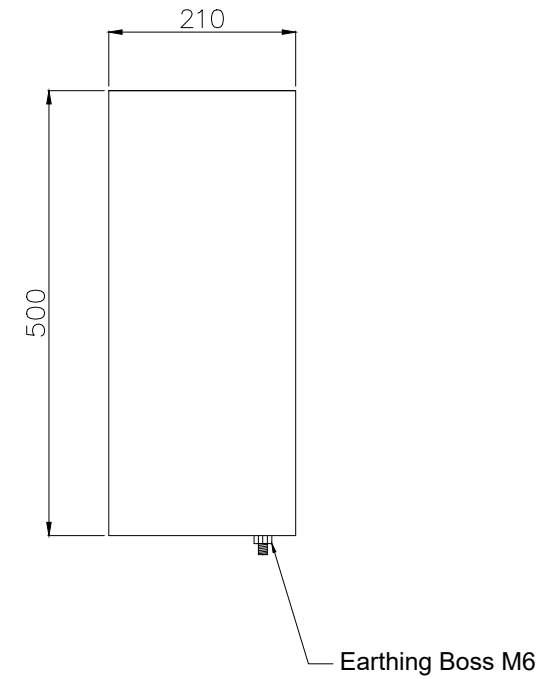
Front Side (Outside) View



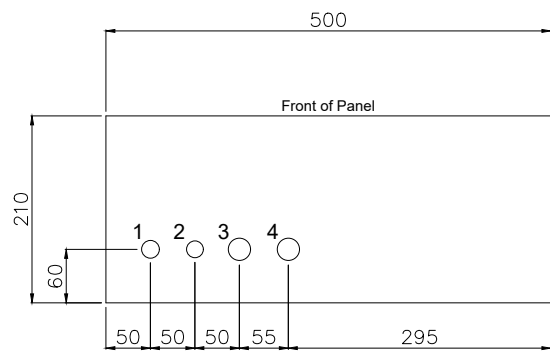
Front Side (Inside) View



Side (Outside) View



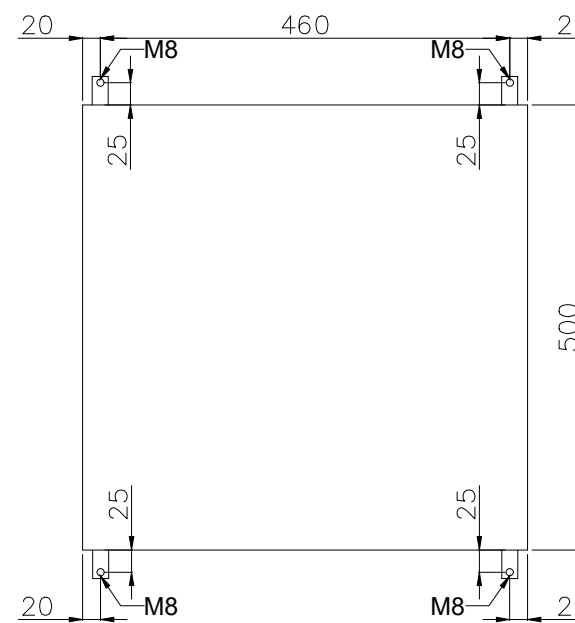
Bottom View



Gland Entry Details

1. M20 - 1x (Breather)
2. M20 - 1x (Spare)
3. M25 - 1x (Cable for Pushbuttons & Lamps)
4. M25 - 1x (Spare)

Back (Outside) View Mounting Details



GENERAL NOTES

- NOTES
1. PANEL DIMENSIONS: 500x500x210mm
 2. PANEL MATERIAL: SS316L STAINLESS STEEL
 3. PANEL COLOR: RAL7032 (GRAY)
 4. PANEL WALL THICKNESS: 1.6mm
 5. PANEL WEIGHT: ~20kg
 6. PANEL WILL BE RIGHT HINGED
 7. AREA CLASSIFICATION: Ex II 3G IIC T3 Eex'e'
 8. AMBIENT TEMPERATURE: 5°C/+48°C
 9. INGRESS PROTECTION: IP65
 10. CABLE RACEWAYS SHALL HAVE NO LESS THAN 20% SPARE CAPACITY.
 11. DIN RAIL TYPE: NS35
 12. SPARES WILL BE PLUGGED WITH SUS EX PLUG
 13. GLANDS WILL BE Ex'd IP65 NICKEL PLATED BRASS TYPE GLANDS
 14. ALL DIMENSIONS IN mm.
 15. EXTERNAL EARTH BOLT AND RELATED PARTS ARE ALL COPPER.
 16. INDICATION LAMP VOLTAGE: 24VDC

REF DRAWINGS	DWG.No.
Wiring Diagram	3944-VD-0171-DYP-RE-400-DIA-0002
I/O List	3944-VD-0171-DYP-RE-400-LST-0080
E&I System Config Diag.	3944-VD-0171-DYP-RE-400-DIA-0078

LEGEND

RESULT CODE: AP AN CO RE RESUBMISSION DATE:

NEXT STATUS: IFI IFA JFC ASB/IFIN

Approval or review hereunder shall not be construed to relieve Vendor/ Subcontractor of his responsibilities and liability under the Contract.

P.O. NO.:

M.R. NO.:

ITEM NO. (EQUIPMENT NO.):

VENDOR JOB NO.:

REV.	DATE	PURPOSE OF ISSUE (P.O.I.)	PREP.	CHKD.	APPR.	AC.
03	26/Aug/25	ISSUED FOR APPROVAL	RT	RB	SC	-
02	16/Jul/25	ISSUED FOR APPROVAL	RT	RB	SC	-
01	25/Apr/25	ISSUED FOR APPROVAL	RT	RB	SC	-
00	24/Mar/25	ISSUED FOR APPROVAL	RT	RB	SC	-

OWNER:



PROJECT:
300 KT POLYETHYLENE PLANT
ARYA SASOL POLYMER COMPANY (ASPC)

MC:
ISEDCO
گروه صنعتی ایزدکو

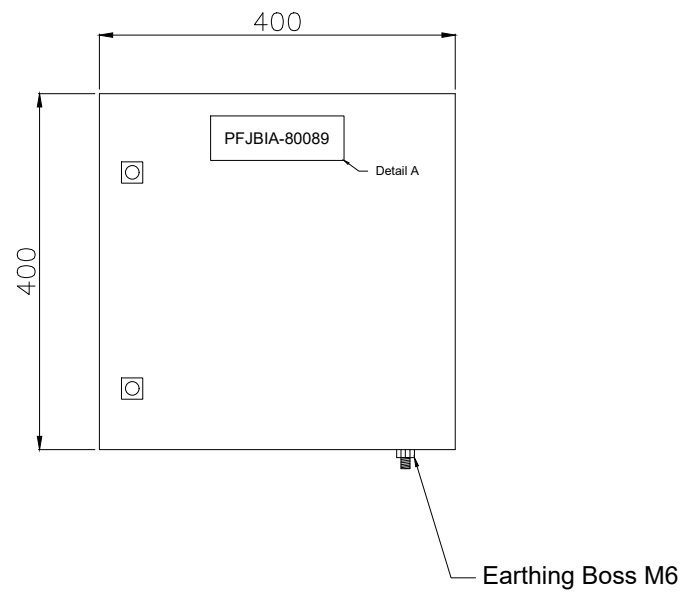
CONTRACTOR: SAZEH CONSULTANTS
VENDOR: DYPNF

DRAWING TITLE:
PANEL LAYOUT DRAWING
LOCAL CONTROL PANEL 44LCP-8004091

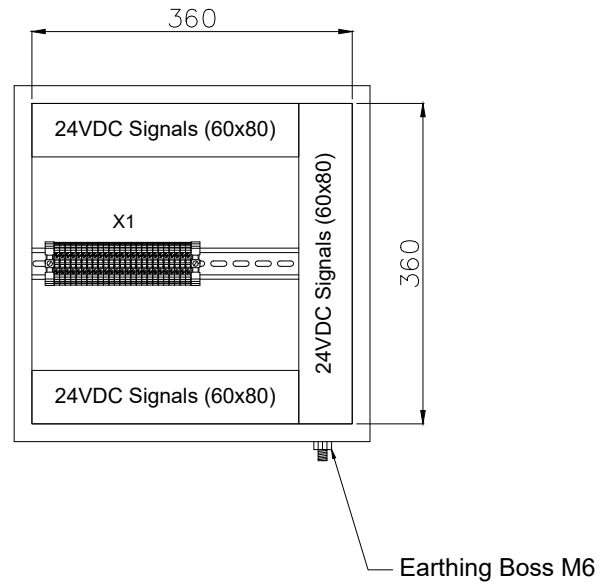
OWNER PROJECT NO.	VENDOR DWG.	MR NO.	VENDOR CODE	DISCIPLINE	UNIT	TYPE	SEQ.
3944	VD	0171	DYP	RE	400	DWG	0003
SCALE: NONE	SIZE: A0	SHEET NO. 32	OF 34	REV. 03			

PFJBIA-80089

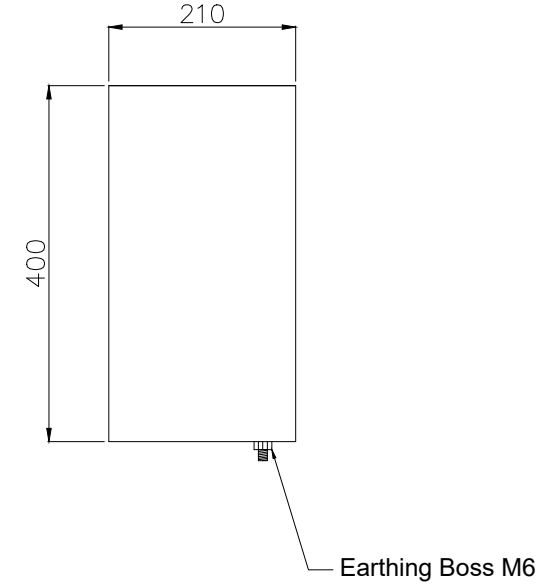
Front Side (Outside) View



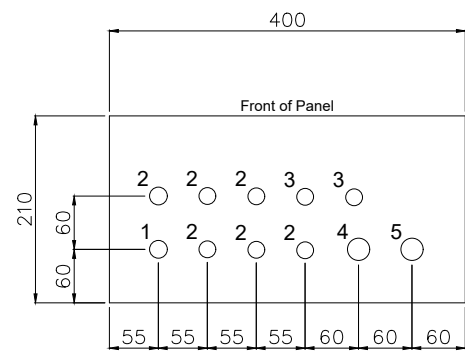
Front Side (Inside) View



Side (Outside) View



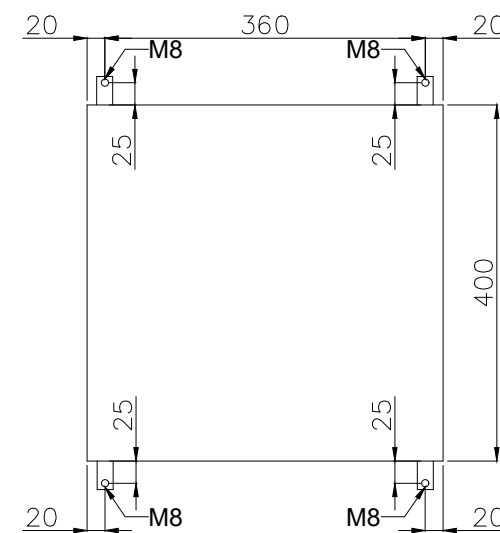
Bottom View



Gland Entry Details

1. M20 - 1x (Breather)
2. M20 - 6x (Cables from Transmitters)
3. M20 - 2x (Spare)
4. M25 - 1x (Multipair Cable from Customer)
5. M25 - 1x (Spare)

Back (Outside) View Mounting Details



GENERAL NOTES

- NOTES
1. PANEL DIMENSIONS: 400x400x210mm
 2. PANEL MATERIAL: SS316L STAINLESS STEEL
 3. PANEL COLOR: RAL7032 (GRAY)
 4. PANEL WALL THICKNESS: 1.6mm
 5. PANEL WEIGHT: ~15Kg
 6. PANEL WILL BE RIGHT HINGED
 7. AREA CLASSIFICATION: Ex II 3G IIC T3 Eex'e'
 8. AMBIENT TEMPERATURE: 5°C/+48°C
 9. INGRESS PROTECTION: IP65
 10. CABLE RACEWAYS SHALL HAVE NO LESS THAN 20% SPARE CAPACITY.
 11. DIN RAIL TYPE: NS35
 12. SPARES WILL BE PLUGGED WITH SUS EX PLUG
 13. GLANDS WILL BE Ex'd IP65 NICKEL PLATED BRASS TYPE GLANDS
 14. ALL DIMENSIONS IN mm.
 15. EXTERNAL EARTH BOLT AND RELATED PARTS ARE ALL COPPER.

REF DRAWINGS	DWG.No.
Wiring Diagram	3944-VD-0171-DYP-RE-400-DIA-0002
I/O List	3944-VD-0171-DYP-RE-400-LST-0080
E&I System Config Diag.	3944-VD-0171-DYP-RE-400-DIA-0078

LEGEND

RESULT CODE: AP AN CO RE RESUBMISSION DATE:

NEXT STATUS: IFI IFA JAF ASB/IFIN

Approval or review hereunder shall not be construed to relieve Vendor/ Subcontractor of his responsibilities and liability under the Contract.

P.O. NO.:

M.R. NO.:

ITEM NO. (EQUIPMENT NO.):

VENDRO JOB NO.:

REV.	DATE	PURPOSE OF ISSUE (P.O.I.)	PREP.	CHKD.	APPR.	AC.
03	26/Aug/25	ISSUED FOR APPROVAL	RT	RB	SC	-
02	16/Jul/25	ISSUED FOR APPROVAL	RT	RB	SC	-
01	25/Apr/25	ISSUED FOR APPROVAL	RT	RB	SC	-
00	24/Mar/25	ISSUED FOR APPROVAL	RT	RB	SC	-

OWNER:



PROJECT:

300 KT POLYETHYLENE PLANT
ARYA SASOL POLYMER COMPANY (ASPC)

MC:



CONTRACTOR:



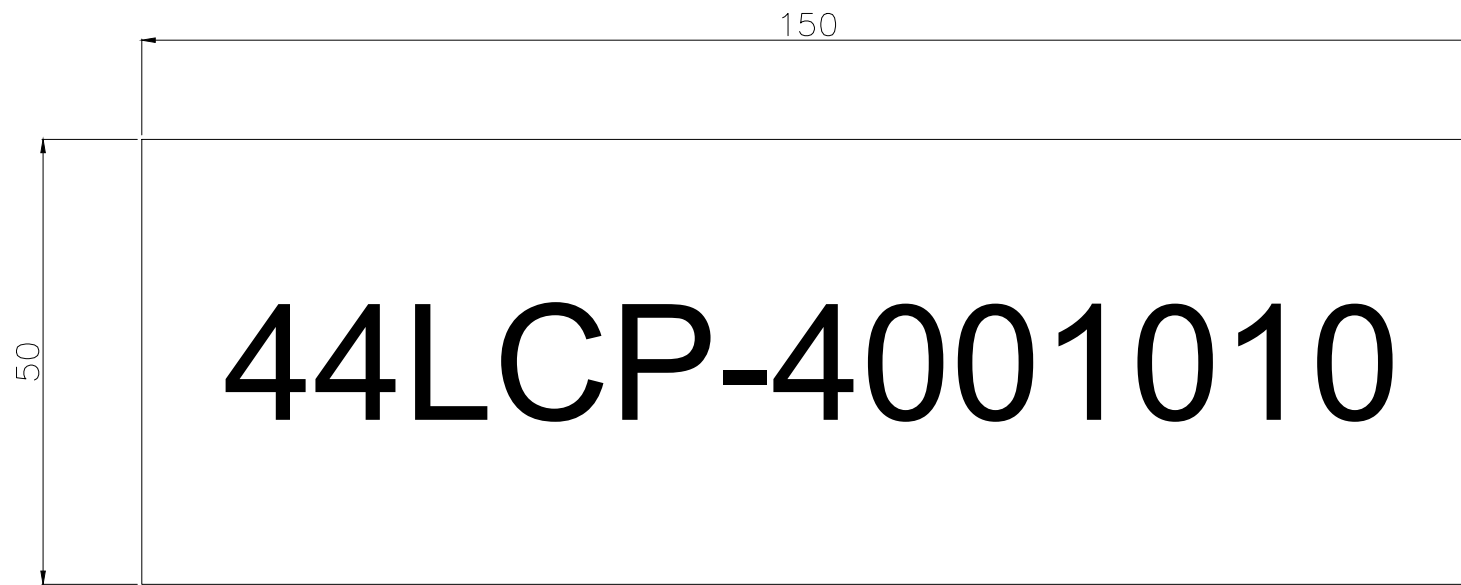
VENDOR:



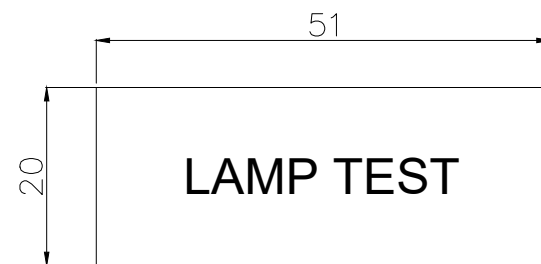
DRAWING TITLE:
PANEL LAYOUT DRAWING
LOCAL CONTROL PANEL PFJBIA-80089

OWNER PROJECT NO.	VENDOR DWG.	MR NO.	VENDOR CODE	DISCIPLINE	UNIT	TYPE	SEQ.	
3944	VD	0171	DYP	RE	400	DWG	0003	
SCALE:	NONE	SIZE:	A0	SHEET NO.	33	OF 34	REV.	03

NAME PLATE DETAILS



DETAIL A
SCALE 10:1
BLACK LETTERS WITH WHITE
BACKGROUND



DETAIL B
SCALE 10:1
BLACK LETTERS WITH WHITE
BACKGROUND

GENERAL NOTES

- NOTES
1. NAME PLATES WILL BE MADE OF STAINLESS STEEL
2. NAME PLATES WILL BE MOUNTED ON THE INSIDE OF THE DOOR AND ON THE OUTSIDE OF THE DOOR

REF DRAWINGS	DWG.No.
Wiring Diagram	3944-VD-0171-DYP-RE-400-DIA-0002
I/O List	3944-VD-0171-DYP-RE-400-LST-0080
E&I System Config Diag.	3944-VD-0171-DYP-RE-400-DIA-0078

LEGEND

RESULT CODE: AP AN CO RE RESUBMISSION DATE:

NEXT STATUS: IFI IFA AFC ASB/IFIN

Approval or review hereunder shall not be construed to relieve Vendor/ Subcontractor of his responsibilities and liability under the Contract.

P.O. NO.:

M.R. NO.:

ITEM NO. (EQUIPMENT NO.):

VENDRO JOB NO.:

REV.	DATE	PURPOSE OF ISSUE (P.O.I.)	PREP.	CHKD.	APPR.	AC.
03	26/Aug/25	ISSUED FOR APPROVAL	RT	RB	SC	--
02	16/Jul/25	ISSUED FOR APPROVAL	RT	RB	SC	--
01	25/Apr/25	ISSUED FOR APPROVAL	RT	RB	SC	--
00	24/Mar/25	ISSUED FOR APPROVAL	RT	RB	SC	--

OWNER:



PROJECT:

300 KT POLYETHYLENE PLANT
ARYA SASOL POLYMER COMPANY (ASPC)

MC:



CONTRACTOR:



VENDOR:



DRAWING TITLE:
PANEL LAYOUT DRAWING
LOCAL CONTROL PANEL 44AJB-80005C

OWNER DOC. NO.						
OWNER PROJECT NO.	VENDOR DWG.	MR NO.	VENDOR CODE	DISCIPLINE	UNIT	TYPE SEQ.
3944	VD	0171	DYP	RE	400	DWG 0003
SCALE: NONE	SIZE: A0	SHEET NO. 34	OF 34	REV. 03		