



# ASPC Project



<b>END CUSTOMER</b>	: Arya Sasol Polymer Company
<b>CONTRACTOR</b>	: DYPNF Co., Ltd.
<b>VENDOR NAME</b>	: Airpack Netherlands BV
<b>EQUIPMENT DESCRIPTION</b>	: Screw Compressor & Roots Blower : Package
<b>PURCHASE ORDER NUMBER</b>	: PO-PC2312-08

Customer Document : 3944-VD-0171-DYP-RE-400-DWG-0079  
Number

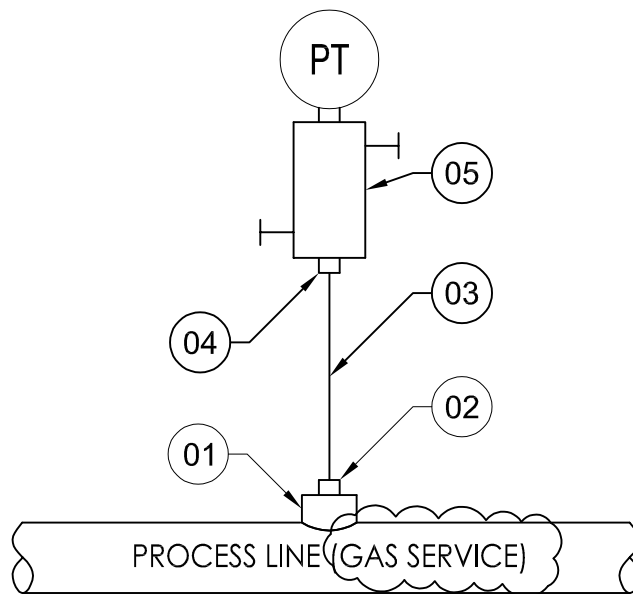
Airpack Document Number : 23383-38

Document Title : Instrument hook-up drawing



Review Code and Status		Contractor Initials/Signature	Date signed
<input type="checkbox"/>	<b>Code 1</b> <b>REJECTED</b> - Vendor to revise and Resubmit. Work cannot proceed		
<input type="checkbox"/>	<b>Code 2</b> Comments As Noted - Work May proceed, subject to compliance with and incorporation of comments		
<input type="checkbox"/>	<b>Code 3</b> No Comments - Work may proceed.		
<input type="checkbox"/>	<b>Code 4</b> Information only - Review not required.		

02	Issued for Approval	08-12-2025	SC	LvG	JJ
01	Issued for Approval	08-08-2025	SC	AZ	JJ
00	Issued for Approval	27-05-2025	AZ	SC	JJ
Rev. No.	Description	Date	Prepared by	Checked by	Approved by

TAG NO.	STATE	PIPING CLASS	REMARKS	TAG NO.	STATE	PIPING CLASS	REMARKS
44PT-4001003	G	Mfr. Std.		44PT-8004001	G	Mfr. Std.	
44PT-4001054	G	Mfr. Std.		44PT-8004041	G	Mfr. Std.	
44PT-4001011	G	Mfr. Std.		44PT-8004002	G	Mfr. Std.	
44PT-4002003	G	Mfr. Std.		44PT-8004003	G	Mfr. Std.	
44PT-4002005	G	Mfr. Std.		44PT-8004042	G	Mfr. Std.	
44PT-4002001	G	Mfr. Std.		44PT-8004004	G	Mfr. Std.	
44PT-8004005	G	Mfr. Std.		44PT-8004014	G	Mfr. Std.	
44PT-8004006	G	Mfr. Std.		44PT-8004016	G	Mfr. Std.	
44PT-8004009	G	Mfr. Std.		44PT-8004044	G	Mfr. Std.	
44PT-8004010	G	Mfr. Std.		44PT-8004017	G	Mfr. Std.	
44PT-8004013	G	Mfr. Std.		44PT-8005001	G	Mfr. Std.	
44PT-8004043	G	Mfr. Std.		44PT-8005041	G	Mfr. Std.	
44PT-8005002	G	Mfr. Std.		44PT-8005006	G	Mfr. Std.	
44PT-8005004	G	Mfr. Std.		44PT-8005043	G	Mfr. Std.	
44PT-8005042	G	Mfr. Std.		44PT-8005007	G	Mfr. Std.	
44PT-8005005	G	Mfr. Std.					



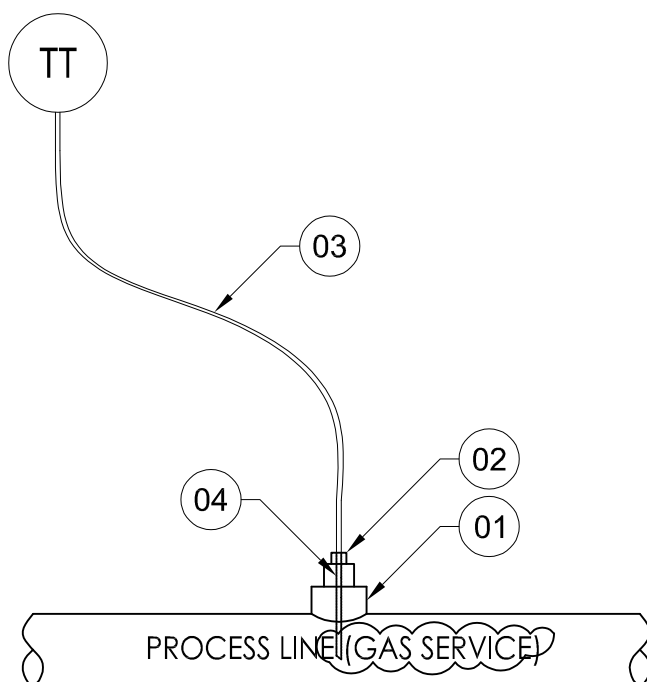
NO.	DESCRIPTION	SIZE	Q'TY (x31)	REMARKS
05	Manifold	1/2"	01	2-Way
04	Connector	1/2"NPT-F-1/2"OD	02	Double Compression type
03	Tubing	1/2"OD	-	SS316
02	Connector	1/2"NPT-M-1/2"OD	02	Double Compression type
01	Process Connection	TBD	01	Mfr. Std.

OWNER 	PROJECT DESCRIPTION <b>ASPC PROJECT</b>	<b>INSTRUMENT HOOK-UP DRAWING (PRESSURE TRANSMITTER)</b>	DETAIL NO. PT-01
	EPC CONTRACTOR 		PROJECT NO. N/A
		DWG. No. : 3944-VD-0171-DYP-RE-400-DWG-0079	REV. 01







TAG NO.	STATE	PIPING CLASS	REMARKS	TAG NO.	STATE	PIPING CLASS	REMARKS
44TT-4001056	G	Mfr. Std.		44TT-8004043	G	Mfr. Std.	
44TT-4001057	G	Mfr. Std.		44TT-8004009	G	Mfr. Std.	
44TT-4002056	G	Mfr. Std.		44TT-8004044	G	Mfr. Std.	
44TT-4002057	G	Mfr. Std.		44TT-8004011	G	Mfr. Std.	
44TT-8001041	G	Mfr. Std.		44TT-8005041	G	Mfr. Std.	
44TT-8004001	G	Mfr. Std.		44TT-8005001	G	Mfr. Std.	
44TT-8001042	G	Mfr. Std.		44TT-8005042	G	Mfr. Std.	
44TT-8004003	G	Mfr. Std.		44TT-8005003	G	Mfr. Std.	
44TT-8004005	G	Mfr. Std.		44TT-8005043	G	Mfr. Std.	
44TT-8004007	G	Mfr. Std.		44TT-8005004	G	Mfr. Std.	



NO.	DESCRIPTION	SIZE	Q'TY	REMARKS
04	Temperature element	G1/2"	01	SS316
03	Capillary	L=10M	01	Teflon
02	Connector	1/2"NPT-M-6mm OD	01	Double Compression type
01	Process Connection	TBD	01	Mfr. Std.

NO.	DESCRIPTION	SIZE	Q'TY	REMARKS
04	Temperature element	G1/2"	01	SS316
03	Capillary	L=10M	01	Teflon
02	Connector	1/2"NPT-M-6mm OD	01	Double Compression type
01	Process Connection	TBD	01	Mfr. Std.

OWNER	 شرکت پلیمیر آلتا باسی ALTA BASSI POLYMER COMPANY (شماره ثبت: ۱۳۸۳۰۰۰۰۰۰۰۰)	PROJECT DESCRIPTION	<b>ASPC PROJECT</b>	<b>INSTRUMENT HOOK-UP DRAWING (TEMPERATURE TRANSMITTER)</b>	DETAIL NO. TT-01
EPC CONTRACTOR		PROJECT NO.	N/A	DWG. No. : 3944-VD-0171-DYP-RE-400-DWG-0079	SHEET No. 04 OF 05
					REV. 01

