



ASPC Project



END CUSTOMER	: Arya Sasol Polymer Company
CONTRACTOR	: DYPNF Co., Ltd.
VENDOR NAME	: Airpack Netherlands BV
EQUIPMENT DESCRIPTION	: Screw Compressor & Roots Blower : Package
PURCHASE ORDER NUMBER	: PO-PC2312-08

Customer Document : 3944-VD-0171-DYP-RE-400-DWG-0079
Number

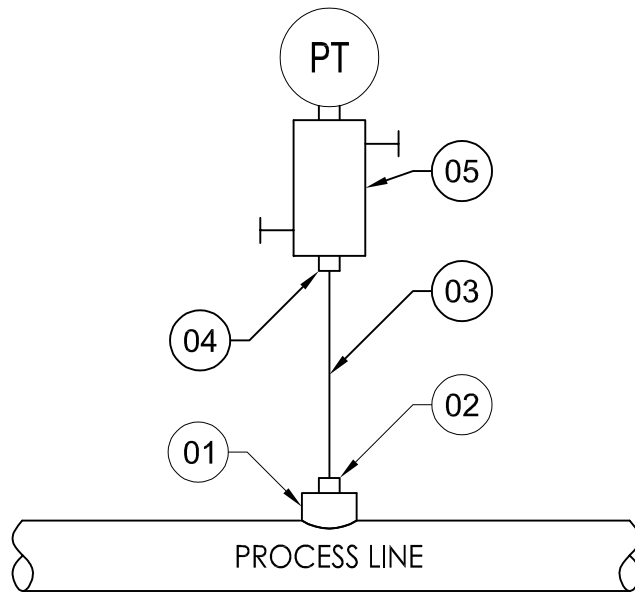
Airpack Document Number : 23383-38

Document Title : Instrument hook-up drawing



Review Code and Status		Contractor Initials/Signature	Date signed
<input type="checkbox"/>	Code 1 REJECTED - Vendor to revise and Resubmit. Work cannot proceed		
<input type="checkbox"/>	Code 2 Comments As Noted - Work May proceed, subject to compliance with and incorporation of comments		
<input type="checkbox"/>	Code 3 No Comments - Work may proceed.		
<input type="checkbox"/>	Code 4 Information only - Review not required.		

Rev. No.	Description	Date	Prepared by	Checked by	Approved by
01	Issued for Approval	08-08-2025	SC	AZ	JJ
00	Issued for Approval	27-05-2025	AZ	SC	JJ

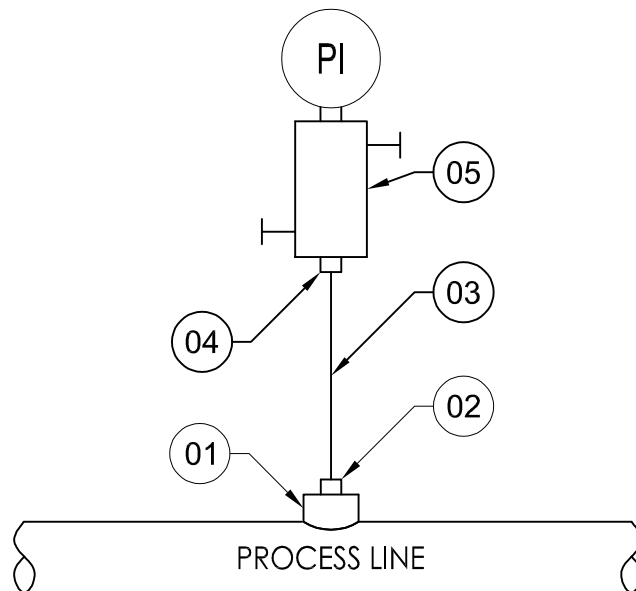
TAG NO.	STATE	PIPING CLASS	REMARKS	TAG NO.	STATE	PIPING CLASS	REMARKS
44PT-4001003	G	Mfr. Std.		44PT-8004001	G	Mfr. Std.	
44PT-4001054	G	Mfr. Std.		44PT-8004041	G	Mfr. Std.	
44PT-4001011	G	Mfr. Std.		44PT-8004002	G	Mfr. Std.	
44PT-4002003	G	Mfr. Std.		44PT-8004003	G	Mfr. Std.	
44PT-4002005	G	Mfr. Std.		44PT-8004042	G	Mfr. Std.	
44PT-4002001	G	Mfr. Std.		44PT-8004004	G	Mfr. Std.	
44PT-8004005	G	Mfr. Std.		44PT-8004014	G	Mfr. Std.	
44PT-8004006	G	Mfr. Std.		44PT-8004016	G	Mfr. Std.	
44PT-8004009	G	Mfr. Std.		44PT-8004044	G	Mfr. Std.	
44PT-8004010	G	Mfr. Std.		44PT-8004017	G	Mfr. Std.	
44PT-8004013	G	Mfr. Std.		44PT-8005001	G	Mfr. Std.	
44PT-8004043	G	Mfr. Std.		44PT-8005041	G	Mfr. Std.	
44PT-8005002	G	Mfr. Std.		44PT-8005006	G	Mfr. Std.	
44PT-8005004	G	Mfr. Std.		44PT-8005043	G	Mfr. Std.	
44PT-8005042	G	Mfr. Std.		44PT-8005007	G	Mfr. Std.	
44PT-8005005	G	Mfr. Std.					





NO.	DESCRIPTION	SIZE	Q'TY	REMARKS
05	Manifold	1/2"	01	2-Way
04	Connector	1/2"NPT-F-1/2"OD	02	Double Compression type
03	Tubing	1/2"OD	-	SS316
02	Connector	1/2"NPT-M-1/2"OD	02	Double Compression type
01	Process Connection	TBD	01	Mfr. Std.

OWNER 	PROJECT DESCRIPTION ASPC PROJECT		INSTRUMENT HOOK-UP DRAWING (PRESSURE TRANSMITTER)	DETAIL NO. PT-01
	EPC CONTRACTOR 	PROJECT NO. N/A		DWG. No. : 3944-VD-0171-DYP-RE-400-DWG-0079
				REV. 00

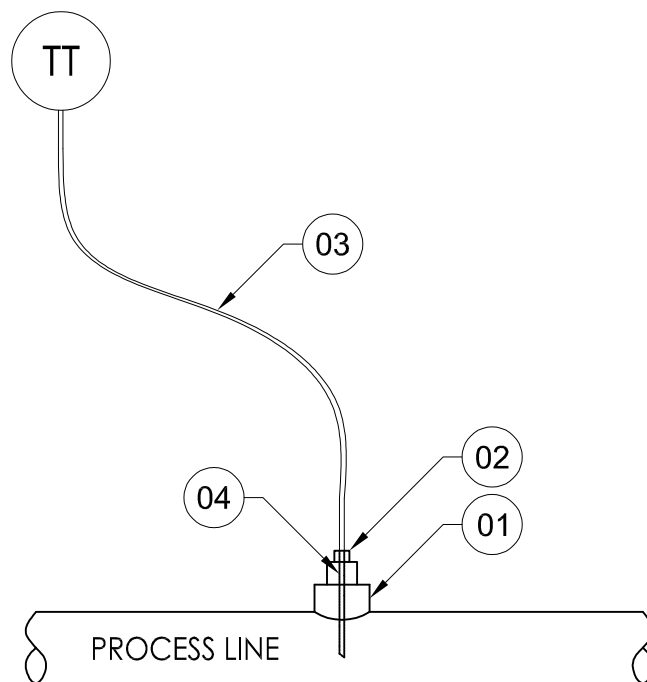
TAG NO.	STATE	PIPING CLASS	REMARKS	TAG NO.	STATE	PIPING CLASS	REMARKS
44PI-4001004	G	Mfr. Std.		44PI-8004017	G	Mfr. Std.	
44PI-4001055	G	Mfr. Std.		44PI-8004043	G	Mfr. Std.	
44PI-4001012	G	Mfr. Std.		44PI-8004018	G	Mfr. Std.	
44PI-4002008	G	Mfr. Std.		44PI-8004021	G	Mfr. Std.	
44PI-4002009	G	Mfr. Std.		44PI-8004044	G	Mfr. Std.	
44PI-4002007	G	Mfr. Std.		44PI-8004022	G	Mfr. Std.	
44PI-8004001	G	Mfr. Std.		44PI-8005001	G	Mfr. Std.	
44PI-8004041	G	Mfr. Std.		44PI-8005041	G	Mfr. Std.	
44PI-8004002	G	Mfr. Std.		44PI-8005002	G	Mfr. Std.	
44PI-8004005	G	Mfr. Std.		44PI-8005005	G	Mfr. Std.	
44PI-8004042	G	Mfr. Std.		44PI-8005042	G	Mfr. Std.	
44PI-8004006	G	Mfr. Std.		44PI-8005006	G	Mfr. Std.	
44PI-8004009	G	Mfr. Std.		44PI-8005007	G	Mfr. Std.	
44PI-8004010	G	Mfr. Std.		44PI-8005043	G	Mfr. Std.	
44PI-8004013	G	Mfr. Std.		44PI-8005008	G	Mfr. Std.	
44PI-8004014	G	Mfr. Std.					





NO.	DESCRIPTION	SIZE	Q'TY	REMARKS
05	Manifold	1/2"	01	2-Way
04	Connector	1/2"NPT-F-1/2"OD	02	Double Compression type
03	Tubing	1/2"OD	-	SS316
02	Connector	1/2"NPT-M-1/2"OD	02	Double Compression type
01	Process Connection	TBD	01	Mfr. Std.

OWNER 	PROJECT DESCRIPTION ASPC PROJECT		INSTRUMENT HOOK-UP DRAWING (PRESSURE GAUGE)	DETAIL NO. PI-01
	EPC CONTRACTOR 	PROJECT NO. N/A		DWG. No. : 3944-VD-0171-DYP-RE-400-DWG-0079
				REV. 00

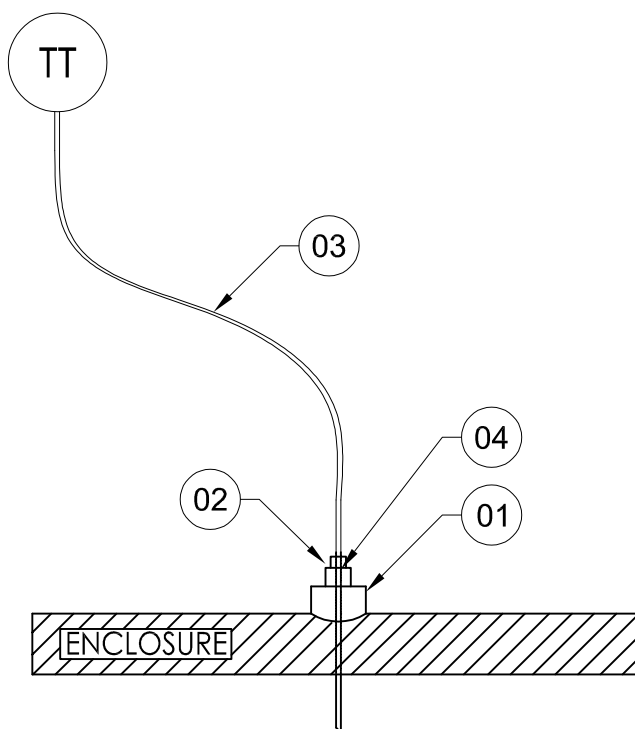
TAG NO.	STATE	PIPING CLASS	REMARKS	TAG NO.	STATE	PIPING CLASS	REMARKS
44TT-4001056	G	Mfr. Std.		44TT-8004043	G	Mfr. Std.	
44TT-4001057	G	Mfr. Std.		44TT-8004009	G	Mfr. Std.	
44TT-4002056	G	Mfr. Std.		44TT-8004044	G	Mfr. Std.	
44TT-4002057	G	Mfr. Std.		44TT-8004011	G	Mfr. Std.	
44TT-8001041	G	Mfr. Std.		44TT-8005041	G	Mfr. Std.	
44TT-8004001	G	Mfr. Std.		44TT-8005001	G	Mfr. Std.	
44TT-8001042	G	Mfr. Std.		44TT-8005042	G	Mfr. Std.	
44TT-8004003	G	Mfr. Std.		44TT-8005003	G	Mfr. Std.	
44TT-8004005	G	Mfr. Std.		44TT-8005043	G	Mfr. Std.	
44TT-8004007	G	Mfr. Std.		44TT-8005004	G	Mfr. Std.	



NO.	DESCRIPTION	SIZE	Q'TY	REMARKS
04	Temperature element	G1/2"	01	SS316
03	Capillary	L=10M	01	Teflon
02	Connector	1/2"NPT-M-6mm OD	01	Double Compression type
01	Process Connection	TBD	01	Mfr. Std.



OWNER  شرکت پلیمیر آلفا رسول ALFA RASOOL POLYMER COMPANY (شماره ثبت: ۱۳۸۴۰۱۰۰۰۰۰۰۰۰)	PROJECT DESCRIPTION ASPC PROJECT		INSTRUMENT HOOK-UP DRAWING (TEMPERATURE TRANSMITTER)	DETAIL NO. TT-01
	EPC CONTRACTOR  DYPNF	PROJECT NO. N/A		SHEET No. 04 OF 05
			DWG. No. : 3944-VD-0171-DYP-RE-400-DWG-0079	REV. 00

TAG NO.	STATE	PIPING CLASS	REMARKS	TAG NO.	STATE	PIPING CLASS	REMARKS
44TT-4001001	G	Mfr. Std.			G		
44TT-4002001	G	Mfr. Std.			G		
	G				G		
	G				G		
	G				G		
	G				G		



NO.	DESCRIPTION	SIZE	Q'TY	REMARKS
04	Temperature element	G1/2"	01	SS316
03	Capillary	L=10M	01	Teflon
02	Connector	1/2"NPT-M-6mm OD	01	Double Compression type
01	Process Connection (Enclosure)	N/A	01	Enclosure

NO.	DESCRIPTION	SIZE	Q'TY	REMARKS
04	Temperature element	G1/2"	01	SS316
03	Capillary	L=10M	01	Teflon
02	Connector	1/2"NPT-M-6mm OD	01	Double Compression type
01	Process Connection (Enclosure)	N/A	01	Enclosure

OWNER 	PROJECT DESCRIPTION ASPC PROJECT	INSTRUMENT HOOK-UP DRAWING (TEMPERATURE TRANSMITTER)	DETAIL NO. TT-02
			SHEET No. 05 OF 05
EPC CONTRACTOR 	PROJECT NO. N/A	DWG. No. : 3944-VD-0171-DYP-RE-400-DWG-0079	REV. 00