



ASPC Project





END CUSTOMER	: Arya Sasol Polymer Company
CONTRACTOR	: DYPNF Co., Ltd.
VENDOR NAME	: Airpack Netherlands BV
EQUIPMENT DESCRIPTION	: Screw Compressor & Roots Blower : Package
PURCHASE ORDER NUMBER	: PO-PC2312-08

Customer Number Document : 3944-VD-0171-DYP-RE-400-DWG-0079

Airpack Document Number : 23383-38

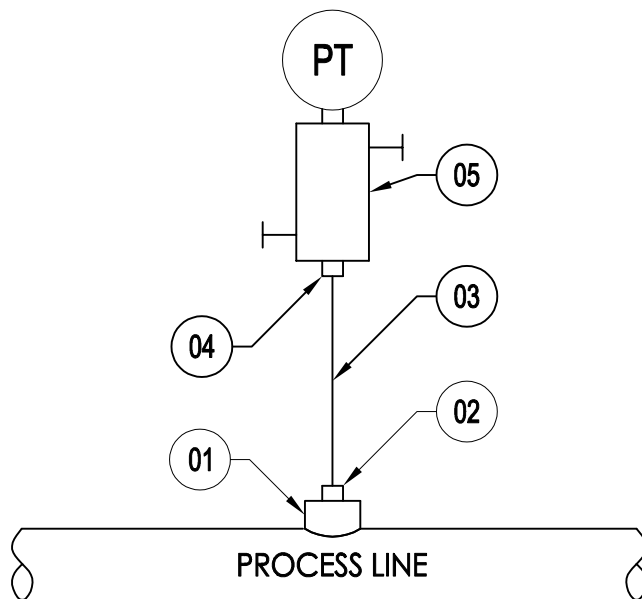
Document Title : Instrument hook-up drawing

1. This document will be finalized after the client's approval.
2. Format is not allowed, it should be written in the format we provided.

Review Code and Status		Contractor Initials/Signature	Date signed
	Code 1 REJECTED - Vendor to revise and Resubmit. Work cannot proceed		11 Jun 2025
<input type="checkbox"/>	Code 2 Comments As Noted - Work May proceed, subject to compliance with and incorporation of comments		
<input type="checkbox"/>	Code 3 No Comments - Work may proceed.		
<input type="checkbox"/>	Code 4 Information only - Review not required.		

00	Issued for Approval	27-05-2025	AZ	SC	JJ
Rev. No.	Description	Date	Prepared by	Checked by	Approved by

PRESSURE TRANSMITTER WITH BLOCK AND BLEED VALVE



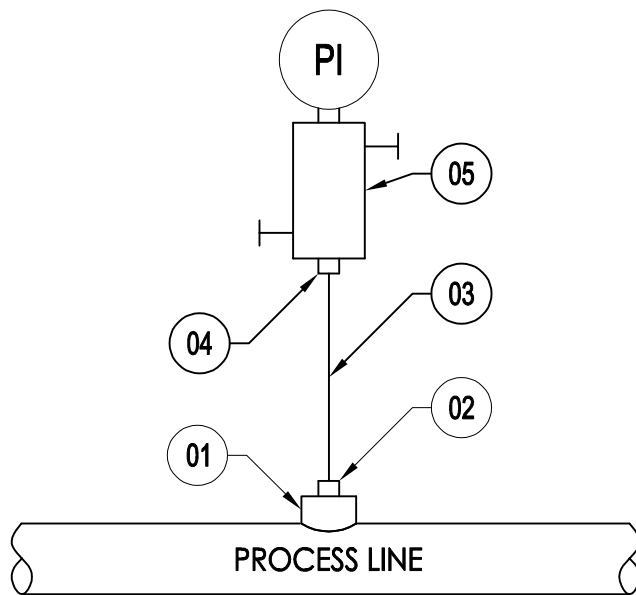
ITEM	QTY	DESCRIPTION	SIZE	MATERIAL
01	01	PROCESS CONNECTION	1/2"NPT-F	A105
02	02	CONNECTOR DOUBLE COMPRESSION TYPE	1/2"NPT-M-1/2"OD	SS316
03	-	TUBING	1/2"OD	SS316
04	02	CONNECTOR DOUBLE COMPRESSION TYPE	1/2"NPT-F-1/2"OD	SS316
05	01	2-WAY BLOCK & BLEED MANIFOLD		SS316
06				
07				
08				
09				

size shall be filled.

TAGNUMBERS: 44PT-4001003, 44PT-4001054, 44PT-4001011, 44PT-4002003, 44PT-4002005, 44PT-4002001, 44PT-8004001, 44PT-8004041, 44PT-8004002, 44PT-8004003, 44PT-8004042, 44PT-8004004, 44PT-8004005, 44PT-8004006, 44PT-8004009, 44PT-8004010, 44PT-8004013, 44PT-8004043, 44PT-8004014, 44PT-8004016, 44PT-8004044, 44PT-8004017, 44PT-8005001, 44PT-8005041, 44PT-8005002, 44PT-8005004, 44PT-8005042, 44PT-8005005, 44PT-8005006, 44PT-8005043, 44PT-8005007

	SUBJECT		HOOKUP PRESSURE INSTRUMENT		DATE	23-05-2025	THIS DRAWING IS OWNED BY AIRPACK AND SHALL NOT BE PRINTED OR COPIED IN ANY OTHER WAY THAN WITH AIRPACKS PERMISSION			
	CLIENT		ASPC Co., Ltd.		DRAWN BY	OG				
	CLIENT REF		3944-VD-0171-DYP-RE-400-DWG-0079		CHECKED BY	SC				
	AIRPACK REF		23383-38		PLANT LOCATION	Offshore				
				DRAWING NO.	23383-38					
				SHEETNO.	1/5					
								REV. 0	23/05/2025	OG


PRESSURE GAUGE WITH BLOCK AND BLEED VALVE



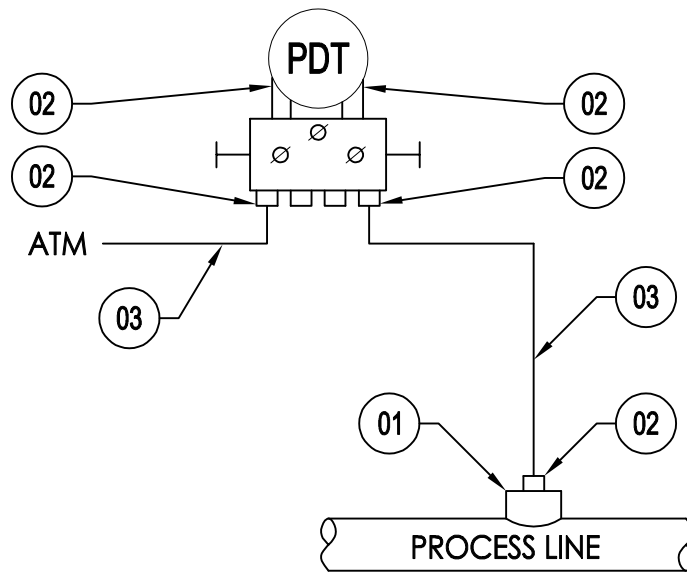
ITEM	QTY	DESCRIPTION	SIZE	MATERIAL
01	01	PROCESS CONNECTION	1/2"NPT-F	A105
02	02	CONNECTOR DOUBLE COMPRESSION TYPE	1/2"NPT-M-1/2"OD	SS316
03	-	TUBING	1/2"OD	SS316
04	02	CONNECTOR DOUBLE COMPRESSION TYPE	1/2"NPT-F-1/2"OD	SS316
05	01	2-WAY BLOCK & BLEED MANIFOLD		SS316
06				
07				
08				
09				

size shall be filled.

TAGNUMBERS: 44PI-4001004, 44PI-4001055, 44PI-4001012, 44PI-4002008, 44PI-4002009, 44PI-4002007, 44PI-8004001, 44PI-8004041, 44PI-8004002, 44PI-8004005, 44PI-8004042, 44PI-8004006, 44PI-8004009, 44PI-8004010, 44PI-8004013, 44PI-8004014, 44PI-8004017, 44PI-8004043, 44PI-8004018, 44PI-8004021, 44PI-8004044, 44PI-8004022, 44PI-8005001, 44PI-8005041, 44PI-8005002, 44PI-8005005, 44PI-8005042, 44PI-8005006, 44PI-8005007, 44PI-8005043, 44PI-8005008

	SUBJECT		HOOKUP PRESSURE INSTRUMENT		DATE	23-05-2025	THIS DRAWING IS OWNED BY AIRPACK AND SHALL NOT BE PRINTED OR COPIED IN ANY OTHER WAY THAN WITH AIRPACKS PERMISSION			
					DRAWN BY	OG				
					CHECKED BY	SC				
	CLIENT	ASPC Co., Ltd.				PLANT LOCATION		Offshore		
CLIENT REF	3944-VD-0171-DYP-RE-400-DWG-0079				DRAWING NO.	23383-38				
AIRPACK REF	23383-38				SHEETNO.	2/5				
							REV. 0	23/05/2025	OG	


PRESSURE DIFFERENTIAL TRANSMITTER WITH BLOCK AND BLEED VALVE



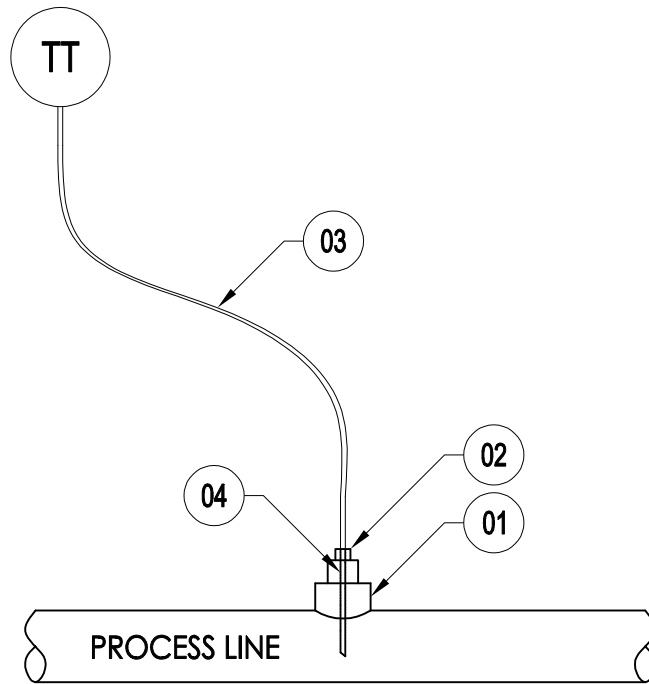
ITEM	QTY	DESCRIPTION	SIZE	MATERIAL
01	02	PROCESS CONNECTION	1/2"NPT-F	A105
02	08	CONNECTOR DOUBLE COMPRESSION TYPE	1/2"NPT-M 6mmOD	SS316
03	-	TUBING	1/2"OD	SS316
04	01	5-WAY BLOCK & BLEED MANIFOLD		SS316
05				
06				
07				
08				
09				

size shall be filled.

TAGNUMBERS: 44PDT-8004001, 44PDT-8004002, 44PDT-8004003, 44PDT-8004004, 44PDT-8004005, 44PDT-8004006, 44PDT-8005001, 44PDT-8005002, 44PDT-8005003

	SUBJECT HOOKUP PRESSURE INSTRUMENT		DATE 23-05-2025	THIS DRAWING IS OWNED BY AIRPACK AND SHALL NOT BE PRINTED OR COPIED IN ANY OTHER WAY THAN WITH AIRPACKS PERMISSION				
			DRAWN BY OG					
			CHECKED BY SC		PLANT LOCATION Offshore			
	CLIENT ASPC Co., Ltd.	CLIENT REF 3944-VD-0171-DYP-RE-400-DWG-0079	AIRPACK REF 23383-38		DRAWING NO. 23383-38	SHEETNO. 3/5	REV. 0	23/05/2025

TEMPERATURE TRANSMITTER FIELD MOUNTED



ITEM	QTY	DESCRIPTION	SIZE	MATERIAL
01	01	PROCESS CONNECTION	1/2"NPT-F	A105
02	01	CONNECTOR DOUBLE COMPRESSION TYPE	1/2"NPT-M- 6mm OD	SS316
03	01	CAPILLARY	L=10m	TEFLON
04	01	TEMPERATURE ELEMENT	G1/2"	SS316
05				
06				
07				
08				
09				

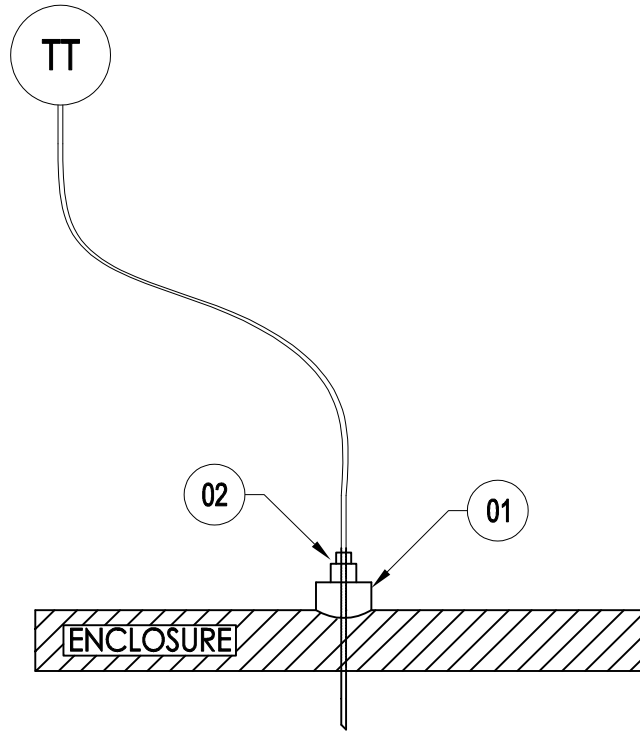
44TT-8004041

44TT-800402

TAGNUMBERS: 44TT-4001056, 44TT-4001057, 44TT-4002056, 44TT-4002057, 44TT-8001041, 44TT-8004001, 44TT-8001042, 44TT-8004003, 44TT-8004005, 44TT-8004007, 44TT-8004043, 44TT-8004009, 44TT-8004044, 44TT-8004011, 44TT-8005041, 44TT-8005001, 44TT-8005042, 44TT-8005003, 44TT-8005043, 44TT-8005004


	SUBJECT		DATE		THIS DRAWING IS OWNED BY AIRPACK AND SHALL NOT BE PRINTED OR COPIED IN ANY OTHER WAY THAN WITH AIRPACKS PERMISSION			
	HOOKUP		23-05-2025					
	TEMPERATURE INSTRUMENT		DRAWN BY			OG		
	CLIENT		ASPC Co., Ltd.			CHECKED BY		SC
CLIENT REF		3944-VD-0171-DYP-RE-400-DWG-0079		PLANT LOCATION		Offshore		
AIRPACK REF		13383-38		DRAWING NO.		23383-38		
				SHEETNO.		4/5		
						REV. 0	23/05/2025	OG

TEMPERATURE TRANSMITTER REMOTE MOUNTED



ITEM	QTY	DESCRIPTION	SIZE	MATERIAL
01	01	PROCESS CONNECTION	1/2"NPT-F	A105
02	01	TEMPERATURE ELEMENT	G1/2"	SS316
03				
04				
05				
06				
07				
08				
09				

TAGNUMBERS: 44TT-4001001, 44TT-4002001

	SUBJECT HOOKUP TEMPERATURE INSTRUMENT		DATE	23-05-2025	THIS DRAWING IS OWNED BY AIRPACK AND SHALL NOT BE PRINTED OR COPIED IN ANY OTHER WAY THAN WITH AIRPACKS PERMISSION			
			DRAWN BY	OG				
	CHECKED BY	SC						
	CLIENT	ASPC Co., Ltd.	PLANT LOCATION	Offshore				
	CLIENT REF	3944-VD-0171-DYP-RE-400-DWG-0079	DRAWING NO.	23383-38				
AIRPACK REF	23383-38	SHEETNO.	5/5					
						REV.0	23/05/2025	OG