



ASPC Project



END CUSTOMER	: Arya Sasol Polymer Company
CONTRACTOR	: DYPNF Co., Ltd.
VENDOR NAME	: Airpack Netherlands BV
EQUIPMENT DESCRIPTION	: Screw Compressor & Roots Blower : Package
PURCHASE ORDER NUMBER	: PO-PC2312-08

Customer Number Document :

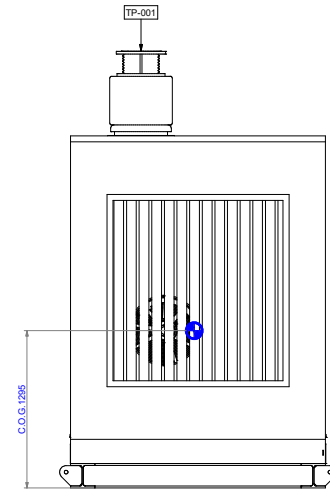
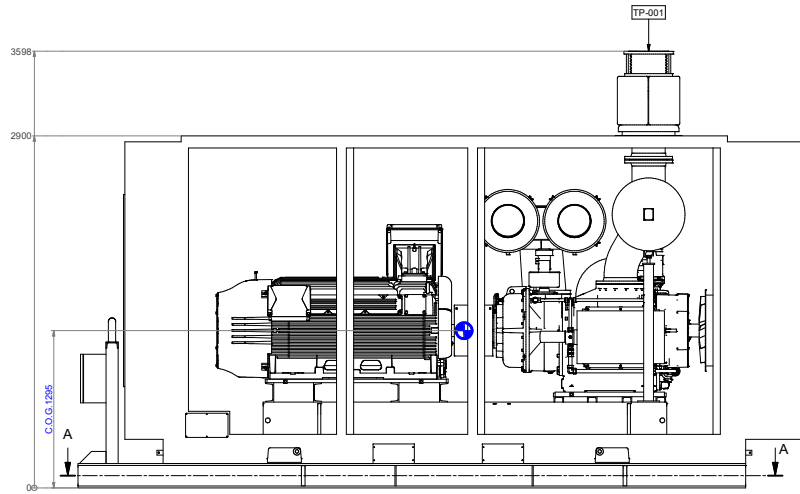
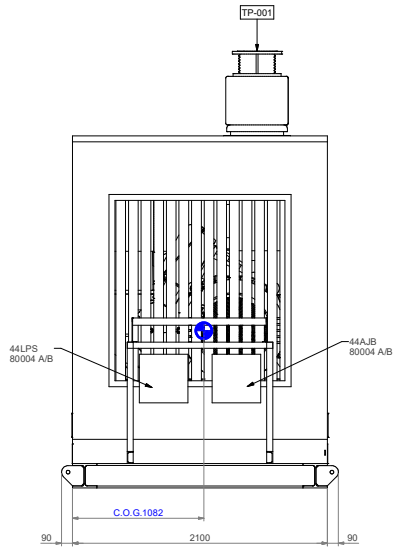
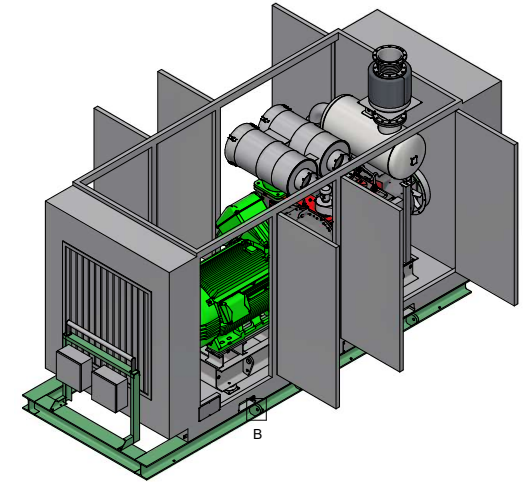
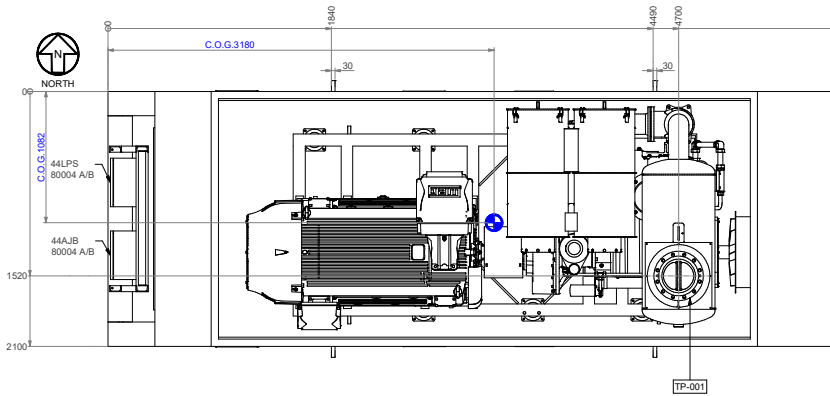
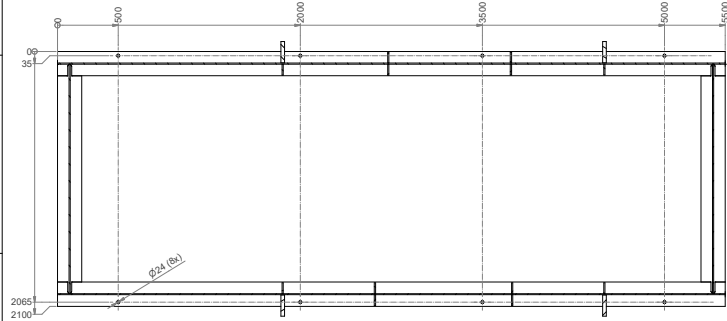
Airpack Document Number : 23383-04D

Document Title : General Arrangement Drawing 44C-80004A/B

Review Code and Status		Contractor Initials/Signature	Date signed
<input type="checkbox"/>	Code 1 REJECTED - Vendor to revise and Resubmit. Work cannot proceed		
<input type="checkbox"/>	Code 2 Comments As Noted - Work May proceed, subject to compliance with and incorporation of comments		
<input type="checkbox"/>	Code 3 No Comments - Work may proceed.		
<input type="checkbox"/>	Code 4 Information only - Review not required.		

00	Issued for Approval	08-04-2025	MD	SC	JJ
Rev. No.	Description	Date	Prepared by	Checked by	Approved by

A-A (1 : 22)
section view of foundation holes



B (1 : 4)
Lifting Points

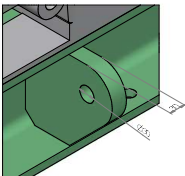


Table			Weight Data SKID (Estimated)	
ITEM No.	DESCRIPTION	TAG No.	ITEM	Operational
1	Local Push Station	44-LPS 80004 A/B	Package	15388 [8980]
2	Junction box	44-AJB 80004 A/B		- [1]

NOZZLE DATA				
Nozzle	Description	Connection	Size	Rating
TP-001	Outlet	RF	DN250	PN10

Subject	23383-COM 80004 A/B	Projection	First Angle	This drawing is issued by Airpack and shall not be used in any other way without explicit permission.
Client	Arya Sated Polymer Company	Drawn by	MD	Checked by
Client Ref.	ASPC Project	Drawn Date	7-4-2025	Checked Date
Client Doc. No.		Drawn by	MD	Checked by
		Drawn Date	7-4-2025	Checked Date
		Drawn by	MD	Checked by
		Drawn Date	7-4-2025	Checked Date
		Drawn by	MD	Checked by
		Drawn Date	7-4-2025	Checked Date
		Drawn by	MD	Checked by
		Drawn Date	7-4-2025	Checked Date



Airpack Nederland BV
Oudegraven 30
4201 RW Zwaikou
The Netherlands
Telephone (31) (0) 111 443455
Email: airpack@airpack.nl
URL: <http://www.airpack.nl>

Project Location: East_Ondshore
Scale: 1:1
Drawing No.: 23383-COM
23383-04D-GAD