



ASPC Project



END CUSTOMER	: Arya Sasol Polymer Company
CONTRACTOR	: DYPNF Co., Ltd.
VENDOR NAME	: Airpack Netherlands BV
EQUIPMENT DESCRIPTION	: Screw Compressor & Roots Blower : Package
PURCHASE ORDER NUMBER	: PO-PC2312-08

Customer Document : 3944-VD-0171-DYP-RE-400-DWG-0022
Number

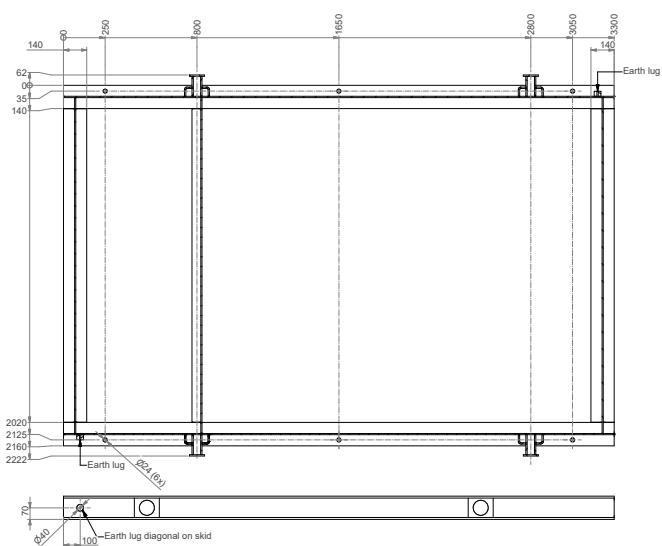
Airpack Document Number : 23383-04C

Document Title : General Arrangement Drawing 44C-80002

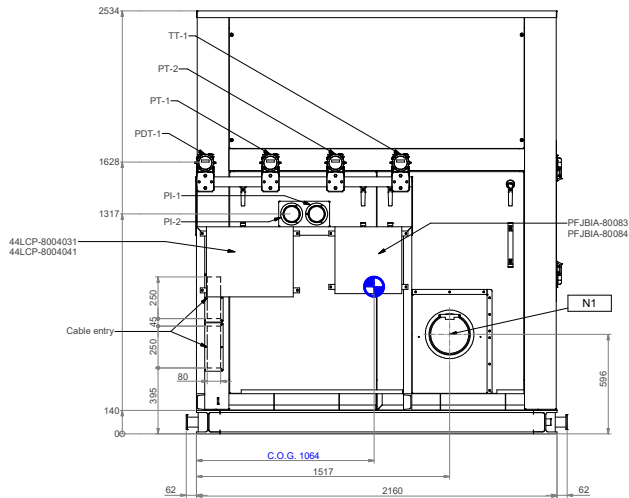
Review Code and Status		Contractor Initials/Signature	Date signed
<input type="checkbox"/>	Code 1 REJECTED - Vendor to revise and Resubmit. Work cannot proceed		
<input type="checkbox"/>	Code 2 Comments As Noted - Work May proceed, subject to compliance with and incorporation of comments		
<input type="checkbox"/>	Code 3 No Comments - Work may proceed.		
<input type="checkbox"/>	Code 4 Information only - Review not required.		

04	Issued for Approval	02-12-2025	MD	SC	JJ
03	Issued for Approval	14-10-2025	MD	SC	JJ
02	Issued for Approval	08-08-2025	MD	SC	JJ
01	Issued for Approval	17-07-2025	MD	SC	JJ
Rev. No.	Description	Date	Prepared by	Checked by	Approved by

A-A (1 : 16)
Section Foundation view

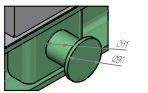


Front view (1 : 16)

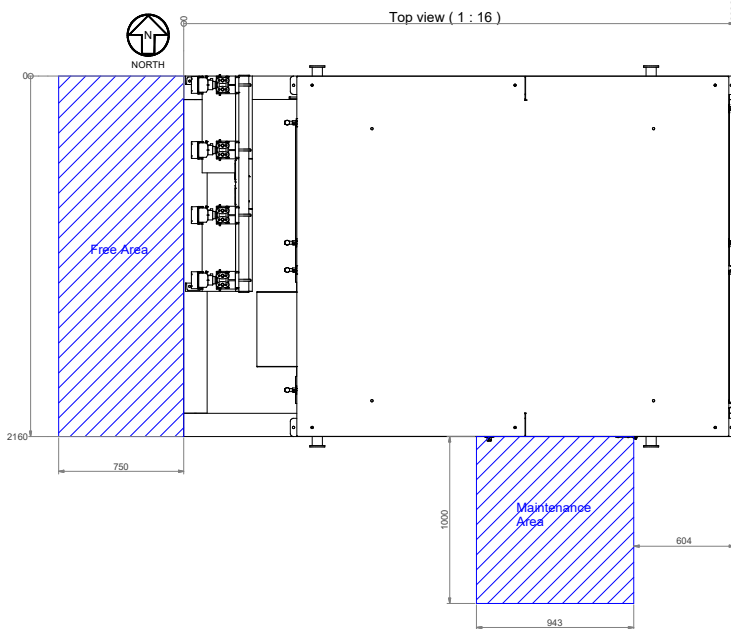
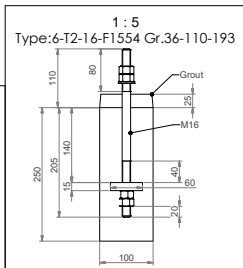
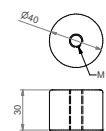


Instrumentation tag numbers		
Column 1	Column 2	Column 3
Compressor:	44C-80002A	44C-80002B
TT-1	44TT-8004005	44TT-8004007
PT-1	44PT-8004005	44PT-8004009
PT-2	44PT-8004006	44PT-8004010
PDT-1	44PDT-8004003	44PDT-8004004
PI-1	44PI-8004009	44PI-8004013
PI-2	44PI-8004010	44PI-8004014

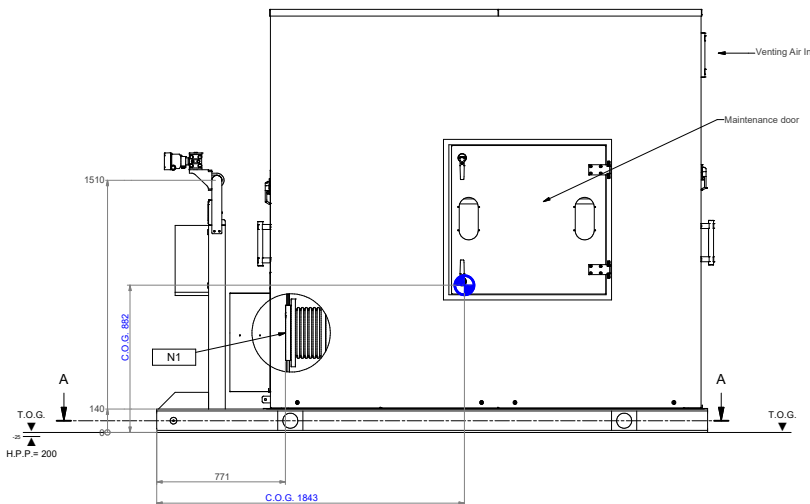
A (1 : 5)
Lifting points



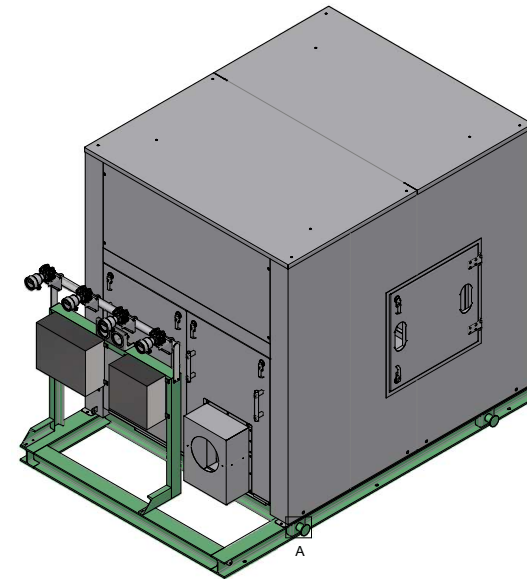
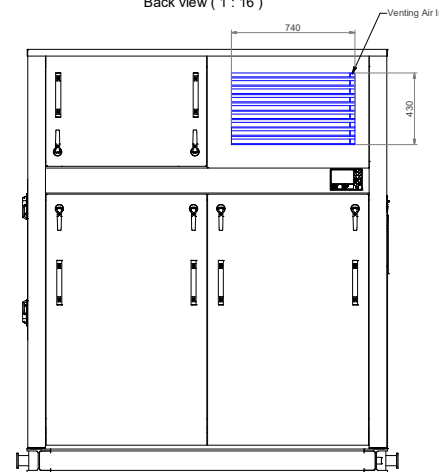
Earth lug (1 : 2)



Right view (1 : 16)



Back view (1 : 16)



NOTES			
1	Planning procedure: Airpack standard ISO 15848 common category C3		
2	ISO 15848-1:2015 (EN) (ISO 15848-1:2015)		
3	ISO 15848-2:2015 (EN) (ISO 15848-2:2015)		
4	ISO 15848-3:2015 (EN) (ISO 15848-3:2015)		

Subject		Revision		Checked by	
23383-COM		4		FYT	
General Arrangement Drawing		3		M.D.	
44C-80002 A/B		2		M.D.	
		1		M.D.	
		0		M.D.	

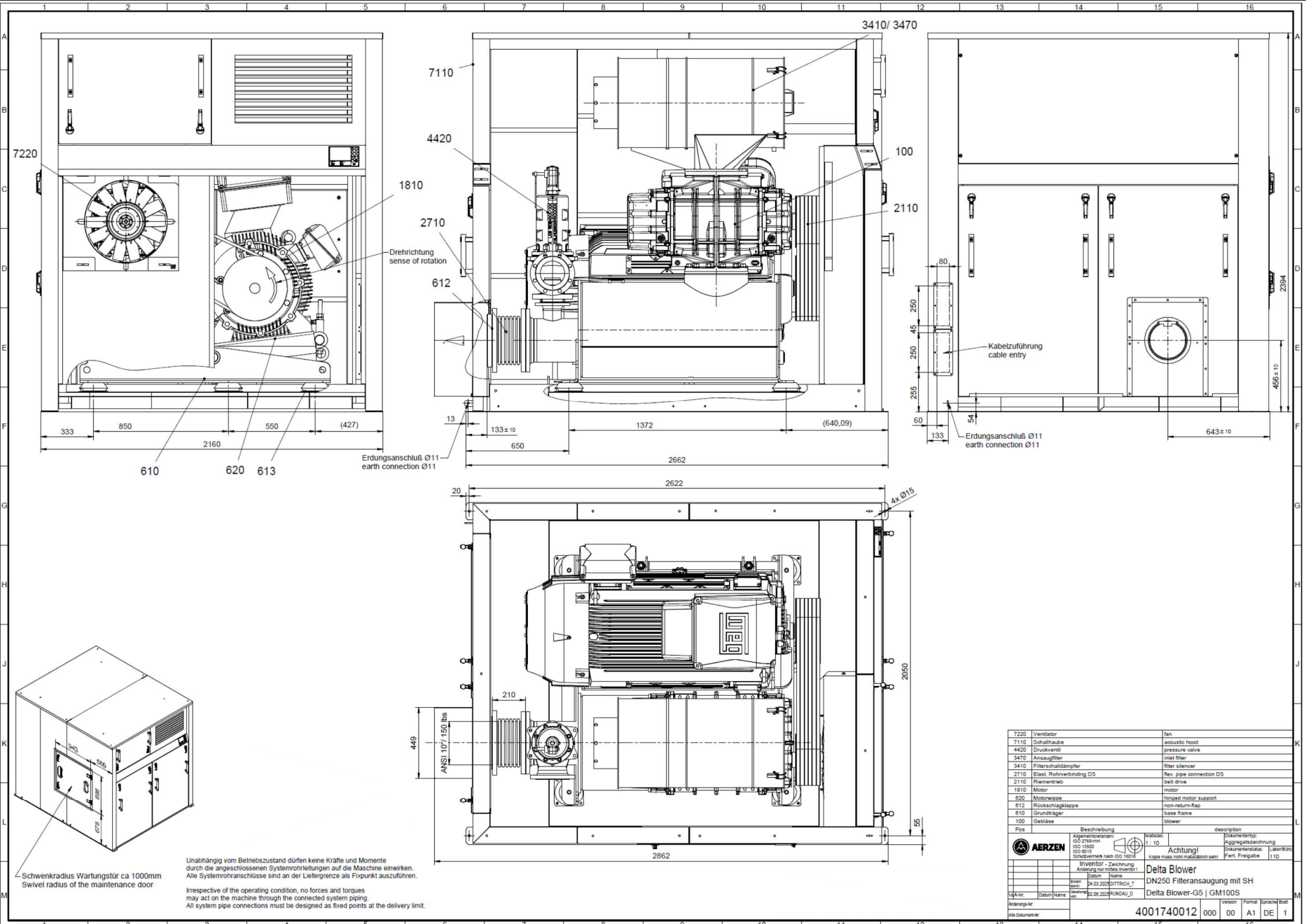
44C-80002 A/B-M1				Table			Weight Data SKID		
Description	Main Motor	ITEM No.	DESCRIPTION	TAG No.	ITEM	Empty lbs [Kg]	Operational lbs [Kg]		
Technical Data	Rated Power: 250 kW	1	Local Push Station	44LCP-80040	Skid	8510 [3860]	9392 [4260]		
	Speed: 1488 rpm	2	Junction box	PFJBIA-8008					
	Power Supply: 6kV / 50 Hz / 3ph								

NOZZLE DATA									
Item	Jet Point	Nozzle	Size	Rating	Type	Material	Remarks		

Configuration of the packages: GM100S
2x compressor package
44C-80002 A
44C-80002 B



Airpack Nederland BV		Checked by	
Groningerweg 40 4201 RW Zuilichem The Netherlands		FYT	
Telephone 0111 (0) 111 443495 Email: info@airpack.nl Web: www.airpack.nl		Start_Ordere	
23383-COM		23383-COM	
Drawing No. 23383-04C-GAD		Sheet 1 of 2	



Pos.	Beschreibung	Material	Abbildung
7220	Ventilator	fan	
7110	Schalldämpfer	acoustic hood	
4420	Druckventil	pressure valve	
3470	Ansaugfilter	inlet filter	
3410	Filterschalldämpfer	filter silencer	
2710	Elast. Rohrverbindung DS	flex. pipe connection DS	
2110	Rotorantrieb	ball drive	
1810	Motor	motor	
620	Motorwippe	hinged motor support	
612	Rückschlagklappe	non-return flap	
610	Grundträger	base frame	
100	Gehäuse	blower	

	Beschreibung: Delta Blower Aggregatzzeichnung Fert. Freigabe	Material: 1: 10 Abbildung: 1: 10 Dokumententyp: Aggregatzzeichnung Zeichnungsart: 1: 10 Fert. Freigabe: 110
Achtung! Bitte lesen Sie die Bedienungsanleitung vor dem Betrieb.		
Inventor - Zeichnung: Delta Blower AERZEN für dieses Material Datum: 24.03.2024 Blatt: 1 von 1 Zeichnung: 34.03.2024/FRICK / Y Blatt: 01.03.2024/RANDA / D		
4001740012 000 00 A1 DE 1		Version: 00 Format: A1 Blatt: DE 1

23383-COM General Arrangement Drawing 44C-80002 A/B			This drawing is issued by Airpack and shall not be used in any other way than as intended.
Client: Arya Saeed Polymer Company Order No.: ASPC-Project Client Doc. No.:	Transmitted to: 1000786110 Date: 2.12.2025 Drawn by: MD Checked by: FVT Issue Location: Iran, Oshrore	Date: 2.12.2025 Drawn by: MD Checked by: FVT Issue Location: Iran, Oshrore	Date: 2.12.2025 Drawn by: MD Checked by: FVT Issue Location: Iran, Oshrore
		Airpack Nederland BV Groeneweg 41 4201 RW Zevenaar The Netherlands Telephone (31) (0) 11 - 413455 Email: airpack@airpack.nl URL: http://www.airpack.nl	