



# ASPC Project



<b>END CUSTOMER</b>	: Arya Sasol Polymer Company
<b>CONTRACTOR</b>	: DYPNF Co., Ltd.
<b>VENDOR NAME</b>	: Airpack Netherlands BV
<b>EQUIPMENT DESCRIPTION</b>	: Screw Compressor & Roots Blower : Package
<b>PURCHASE ORDER NUMBER</b>	: PO-PC2312-08

Customer Number            Document :    3944-VD-0171-DYP-RE-400-DWG-0022

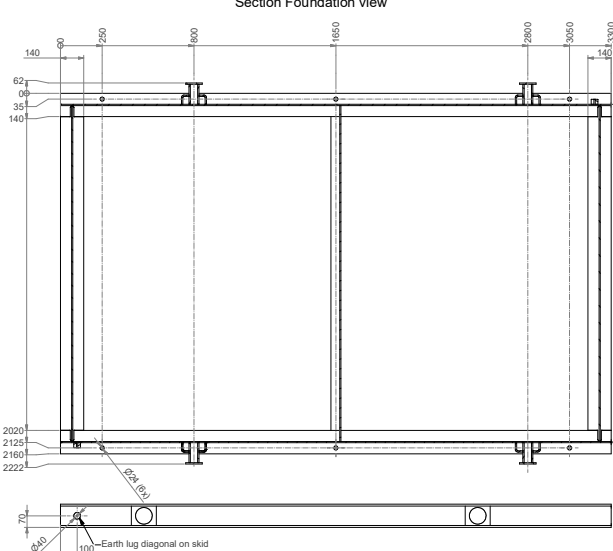
Airpack Document Number    :    23383-04C

Document Title                            :    General Arrangement Drawing 44C-80002

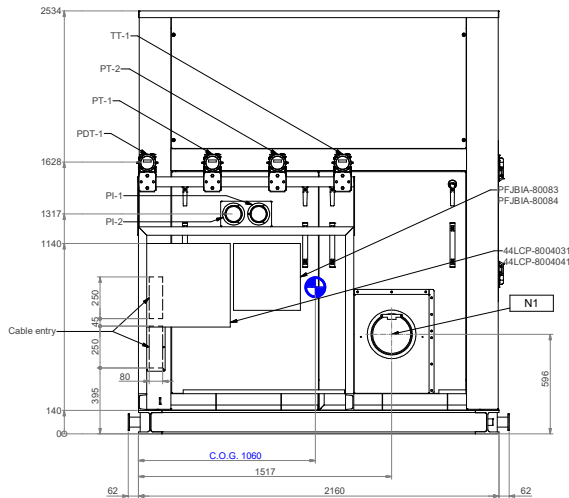
Review Code and Status		Contractor Initials/Signature	Date signed
<input type="checkbox"/>	<b>Code 1</b> <b>REJECTED</b> - Vendor to revise and Resubmit. Work cannot proceed		
<input type="checkbox"/>	<b>Code 2</b> Comments As Noted - Work May proceed, subject to compliance with and incorporation of comments		
<input type="checkbox"/>	<b>Code 3</b> No Comments - Work may proceed.		
<input type="checkbox"/>	<b>Code 4</b> Information only - Review not required.		

03	Issued for Approval	14-10-2025	MD	SC	JJ
02	Issued for Approval	08-08-2025	MD	SC	JJ
01	Issued for Approval	17-07-2025	MD	SC	JJ
00	Issued for Approval	16-05-2025	MD	SC	JJ
Rev. No.	Description	Date	Prepared by	Checked by	Approved by

A-A (1 : 16)  
Section Foundation

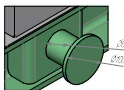


Front view (1 : 16)

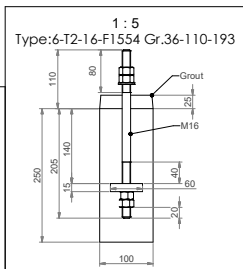
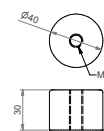


Instrumentation tag numbers		
Column 1	Column 2	Column 3
Compressor:	44C-80002A	44C-80002B
TT-1	44TT-8004005	44TT-8004007
PT-1	44PT-8004005	44PT-8004009
PT-2	44PT-8004006	44PT-8004010
PDT-1	44PDT-8004003	44PDT-8004004
PI-1	44PI-8004009	44PI-8004013
PI-2	44PI-8004010	44PI-8004014

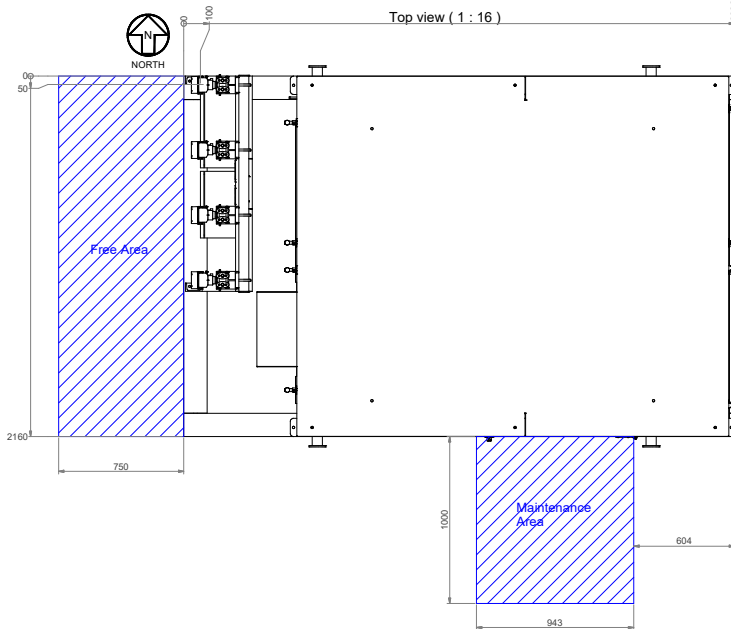
A (1 : 5)  
Lifting points



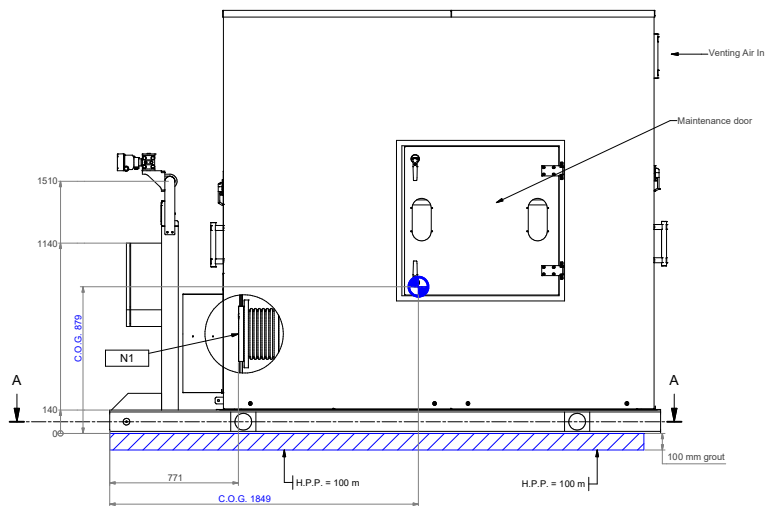
Earth lug (1 : 2)



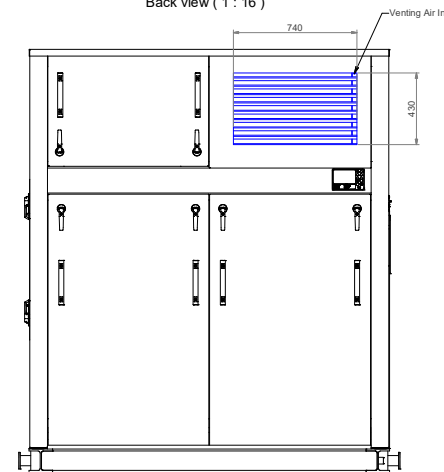
Top view (1 : 16)



Right view (1 : 16)



Back view (1 : 16)



**NOTES**

- Planting procedure: Airpack standard ISO 15848 category C3 (ISO 15848 C3 B3 DPM-40-800-010)
- 2000 material is 5308
- 3.0W accessories provided by the customer are to be indicated (color, material and quantity - 2mm)
- Dimensions given in inches = 25mm

• CENTER OF GRAVITY (Approximate)

Rev	DATE	DESCRIPTION	BY	CHKD
1	14-10-2025		M.D.	F.V.T.
2	7-5-2025		M.D.	F.V.T.
3	18-5-2025		M.D.	F.V.T.
0	16-5-2025		M.D.	F.V.T.

Subject: **23383-COM**  
**General Arrangement Drawing**  
**80002 A/B**

Client: **Arya Sabud Polymer Company**  
Project: **ASPC Project**

Transmission to: **ISO 15848 (A)**  
Date: **14-10-2025**  
Drawn by: **MD**

Checked by: **F.V.T.**  
Plant Location: **Start\_Onshore**  
Scale: **1:1**  
Airpack Ref: **23383-COM**  
Drawing No: **23383-04C GAD**

Configuration of the packages: GM100S  
2x compressor package  
44C-80002 A  
44C-80002 B

44C-80002 A/B-M1		Table		Weight Data SKID (Estimated)		
Description	Main Motor	ITEM No.	DESCRIPTION	TAG No.	ITEM	Operational lbs [Kg]
Technical Data	Rated Power: 250 kW Speed: 1488 rpm Power Supply: 6KV / 50 Hz / 3ph	1	Local Push Station	44LCP-80040.	Skid	9392 [4260]
		2	Junction box	PFJBIA-8008.		

NOZZLE DATA						
Size	Rating	Type	Material	Remarks		
1/2"	150#	SP	304	ASME B31.3		