



ASPC Project



END CUSTOMER	: Arya Sasol Polymer Company
CONTRACTOR	: DYPNF Co., Ltd.
VENDOR NAME	: Airpack Netherlands BV
EQUIPMENT DESCRIPTION	: Screw Compressor & Roots Blower : Package
PURCHASE ORDER NUMBER	: PO-PC2312-08

Customer Document : 3944-VD-0171-DYP-RE-400-DWG-0022
Number

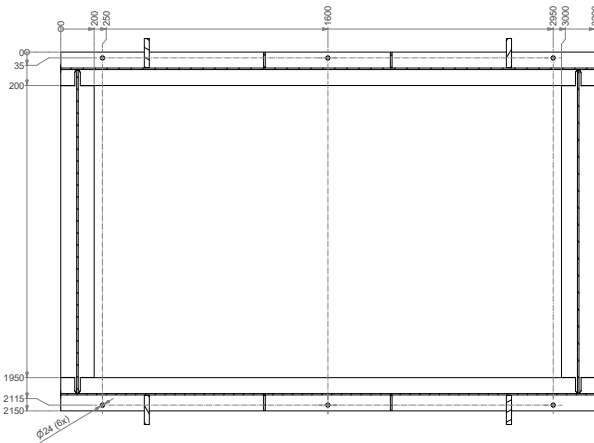
Airpack Document Number : 23383-04C

Document Title : General Arrangement Drawing 44C-80002

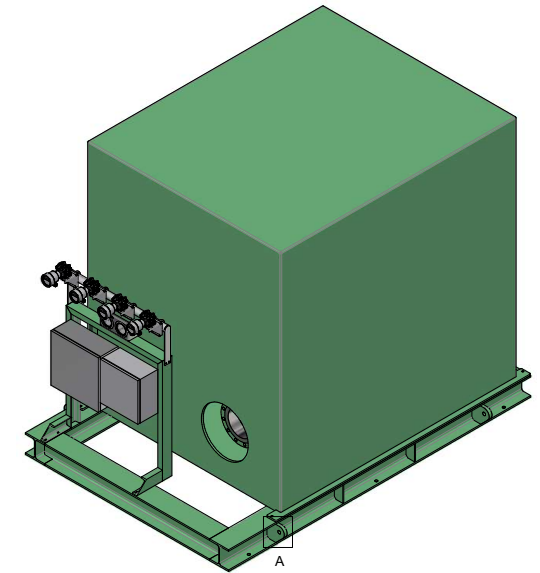
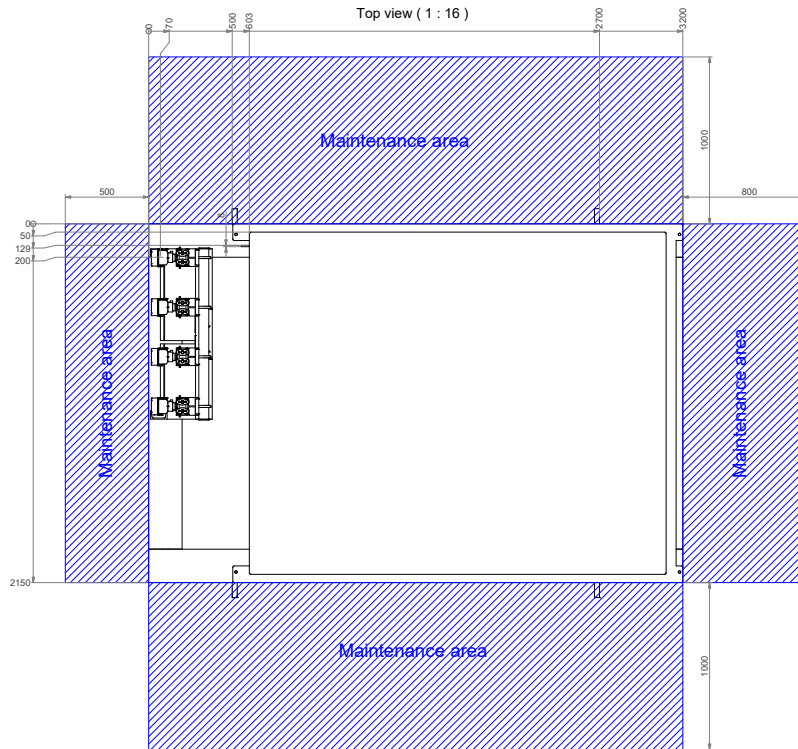
Review Code and Status		Contractor Initials/Signature	Date signed
<input type="checkbox"/>	Code 1 REJECTED - Vendor to revise and Resubmit. Work cannot proceed		
<input type="checkbox"/>	Code 2 Comments As Noted - Work May proceed, subject to compliance with and incorporation of comments		
<input type="checkbox"/>	Code 3 No Comments - Work may proceed.		
<input type="checkbox"/>	Code 4 Information only - Review not required.		

Rev. No.	Description	Date	Prepared by	Checked by	Approved by
01	Issued for Approval	17-07-2025	MD	SC	JJ
00	Issued for Approval	16-05-2025	MD	SC	JJ

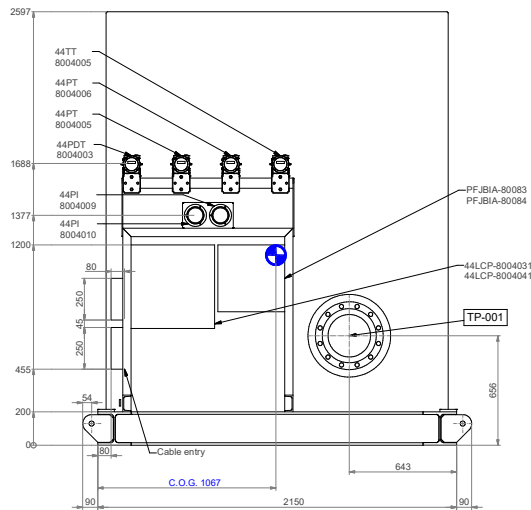
A-A (1 : 16)
Section anchor bolts view



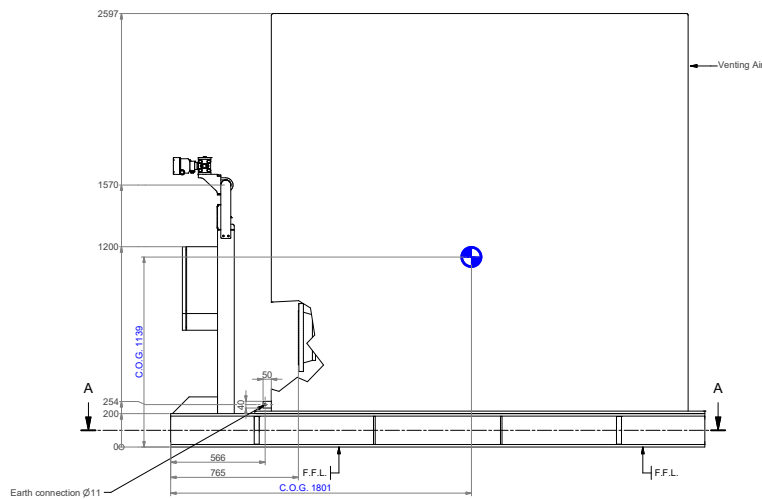
Top view (1 : 16)



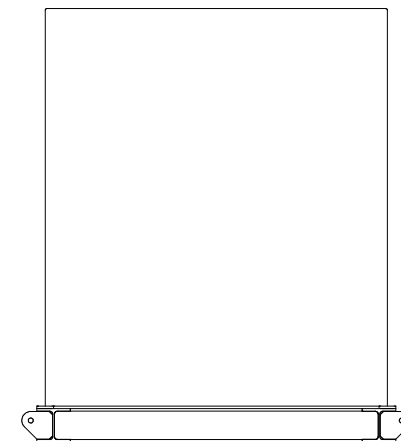
Front view (1 : 16)



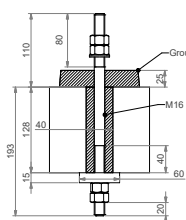
Right view (1 : 16)



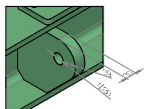
Back view (1 : 16)



Type:6-T2-16-F1554 Gr.36-110-193



A (1 : 6)
Lifting points



44M-80002A		Table		Weight Data SKID (Estimated)		
Description	Main Motor	ITEM No.	DESCRIPTION	TAG No.	ITEM	Operational lbs [Kg]
Technical Data	Rated Power: 250 kW Speed: 1488 rpm Power Supply: 6KV / 50 Hz / 3ph	1	Local Push Station	44LCP-80040.	Skid	8247 [3740]
		2	Junction box	PFJBIA-8008.		

NOZZLE DATA						
Tip	In Point	Nozzle	Size	Rating	Type	Material

NOTES

- Planning procedure: Airpack standard ISO 12844 category C3
- SKID standard is ISO
- JAR connections provided by the customer are to be received drawn, validated and measured. Trace

Subject 23383-COM
General Arrangement Drawing
80002 A/B

Client Arpa Sabot Polymer Company
Client Dir. ASIPFC Project

Revision 01
Drawn by MD
Checked by FVT

Project Location East_Ondore
Scale 1:1
Project No. 23383-COM
Drawing No. 23383-04C GAD

Sheet 1 of 1