







OWNER:  شرکت سست و سویی گیس ایران (سهامی خاص)	BUSHEHR PETROCHEMICAL COMPANY MEG PLANT						EPC CONTRACTOR:  Chagalesh-Enerehimi-Steam Joint Venture BUPC-MEG PLANT PROJECT		
	MC :  شرکت سست و سویی گیس ایران (سهامی خاص)	<b>LOGIC DIAGRAMS-PROGRAM OF UCP - COMPRESSOR SHUTDOWN LOGIC DRAWING FOR NITROGEN GAS BOOSTER</b>							
Owner Document Number: 17811-32A		Project	Area	Phase	Unit	Dis.	Doc.	Seq.	Contract No : 52-98/445
	BU	20	VD	303	IN	DIG	0035	Rev.: 06	Page 1 of 16

## LOGIC DIAGRAMS-PROGRAM OF UCP - COMPRESSOR SHUTDOWN LOGIC DRAWING FOR NITROGEN GAS BOOSTER

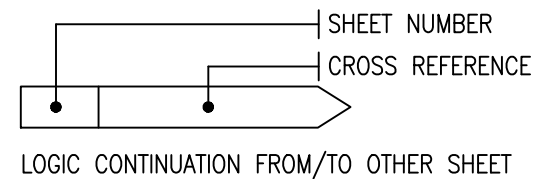
 شرکت سست و سویی گیس ایران (سهامی خاص)	 Chagalesh-Enerehimi-Steam Joint Venture BUPC-MEG PLANT PROJECT	BUSHEHR PETROCHEMICAL COMPANY MEG PLANT
<b>Document Review</b>		
Issue Purpose:	AFC	
Result Code: AP,AN,CM,RE,NC	AP	
Next Status : IFC,IFA,IFI,AFC,AB	-	
Responsible Department	MECHANICAL	
Commented Date	7/25/2022	
<b>Approval or review hereunder shall not be construed to relieve Vendor / Subcontractor of his responsibilities and liability under the contract.</b>		

06	14/07/2022	Approved for Construction	RT	KP	JR	
05	05/07/2022	Approved for Construction	RT	KP	JR	
04	17/05/2022	Approved for Construction	AZ	KP	JR	
03	18/03/2022	Approved for Construction	AS	KP	JR	
02	06/01/2022	Approved for Construction	WZ	KP	JR	
01	30/11/2021	For approval	WZ	KP	JR	
00	24/11/2020	For approval	TJ	RB	JR	
Rev.	Date	Purpose of Issue	Prepared	Checked	Approved	AC Code
					Class: 1	Phase: P



SYMBOL	FUNCTION	DESCRIPTION
	AND	OUTPUT D EXISTS ONLY IF AND WHILE INPUTS A,B AND C EXIST.
	OR	OUTPUT D EXISTS ONLY IF AND WHILE ONE OR MORE OF INPUTS A,B OR C EXIST.
	XOR	OUTPUT D EXISTS ONLY IF AND WHILE ONE OF INPUTS A,B OR C EXIST.
	NOT	OUTPUT B EXISTS ONLY IF AND WHILE INPUT A DOES NOT EXIST.
	TIMER (DELAY INITIATION)	THE CONTINUOUS EXISTENCE OF INPUT A FOR TIME T CAUSES OUTPUT B TO EXIST WHEN THE TIME T EXPIRES. B TERMINATES IMMEDIATELY WHEN A TERMINATES.
	TIMER (DELAY TERMINATION)	THE EXISTENCE OF INPUT A CAUSES OUTPUT B TO EXIST IMMEDIATELY. B TERMINATES WHEN A HAS TERMINATED AND HAS NOT AGAIN EXISTED FOR TIME T.
	PULSE OUTPUT	THE EXISTENCE OF INPUT A CAUSES OUTPUT B TO EXIST IMMEDIATELY. B EXISTS FOR TIME T, REGARDLESS OF THE STATE OF A.
	FLIP-FLOP MEMORY (SET PRIORITY)	OUTPUT C EXISTS AS SOON AS A EXISTS. C CONTINUES TO EXIST, REGARDLESS OF THE SUBSEQUENT STATE OF A, UNTIL THE MEMORY IS RESET (I.E; TERMINATED BY B EXISTING) C REMAINS TERMINATED, REGARDLESS OF THE SUBSEQUENT STATE OF B, UNTIL A CAUSES THE MEMORY TO BE SET. IF A AND B EXIST SIMULTANEOUSLY, A OVERRIDES B.
	FLIP-FLOP MEMORY (RESET PRIORITY)	OUTPUT C EXISTS AS SOON AS A EXISTS. C CONTINUES TO EXIST, REGARDLESS OF THE SUBSEQUENT STATE OF A, UNTIL THE MEMORY IS RESET (I.E; TERMINATED BY B EXISTING) C REMAINS TERMINATED, REGARDLESS OF THE SUBSEQUENT STATE OF B, UNTIL A CAUSES THE MEMORY TO BE SET. IF A AND B EXIST SIMULTANEOUSLY, B OVERRIDES A.
		LOGIC CONNECTION
		NO CONNECTION
		SERIAL LINK / FOUNDATION FIELDBUS PROTOCOL

SYMBOL	DESCRIPTION
	EMERGENCY PUSHBUTTON, RED HEAD, STAY PUT.
	TOGGLE SWITCH
	PUSHBUTTON MOMENTARILY MAKE
	PUSHBUTTON MOMENTARILY BREAK
	CONTACT NORMALLY OPEN
	CONTACT NORMALLY CLOSED
	HARDWIRED INPUT/OUTPUT
	SOLENOID VALVE, 3-WAY
	DISTRIBUTED CONTROL SYSTEM
	PLC CONTROL SYSTEM
	DCS AUXILIARY CONSOLE
	LAMP
	HMI
	AUDIBLE ALARM
	RELAY COIL



### ABBREVIATIONS

DCS : DISTRIBUTED CONTROL SYSTEM  
 UCP : UNIT CONTROL PANEL  
 LCP : LOCAL CONTROL PANEL  
 PLC : PROGRAMMABLE LOGIC CONTROLLER  
 I/P : INPUT  
 O/P : OUTPUT  
 ESD : EMERGENCY SHUTDOWN  
 MCC : MOTOR CONTROL CENTRE

### GENERAL NOTES

- SHUTDOWN CONDITION ;  
0 = SHUTDOWN 1 = OPERATING
- ALARM/TRIP CONDITION ;  
0 = ALARM 1=NORMAL  
0 = TRIP 1=NORMAL
- REMOTE/LOCAL CONDITION ;  
0 = LOCAL 1=REMOTE

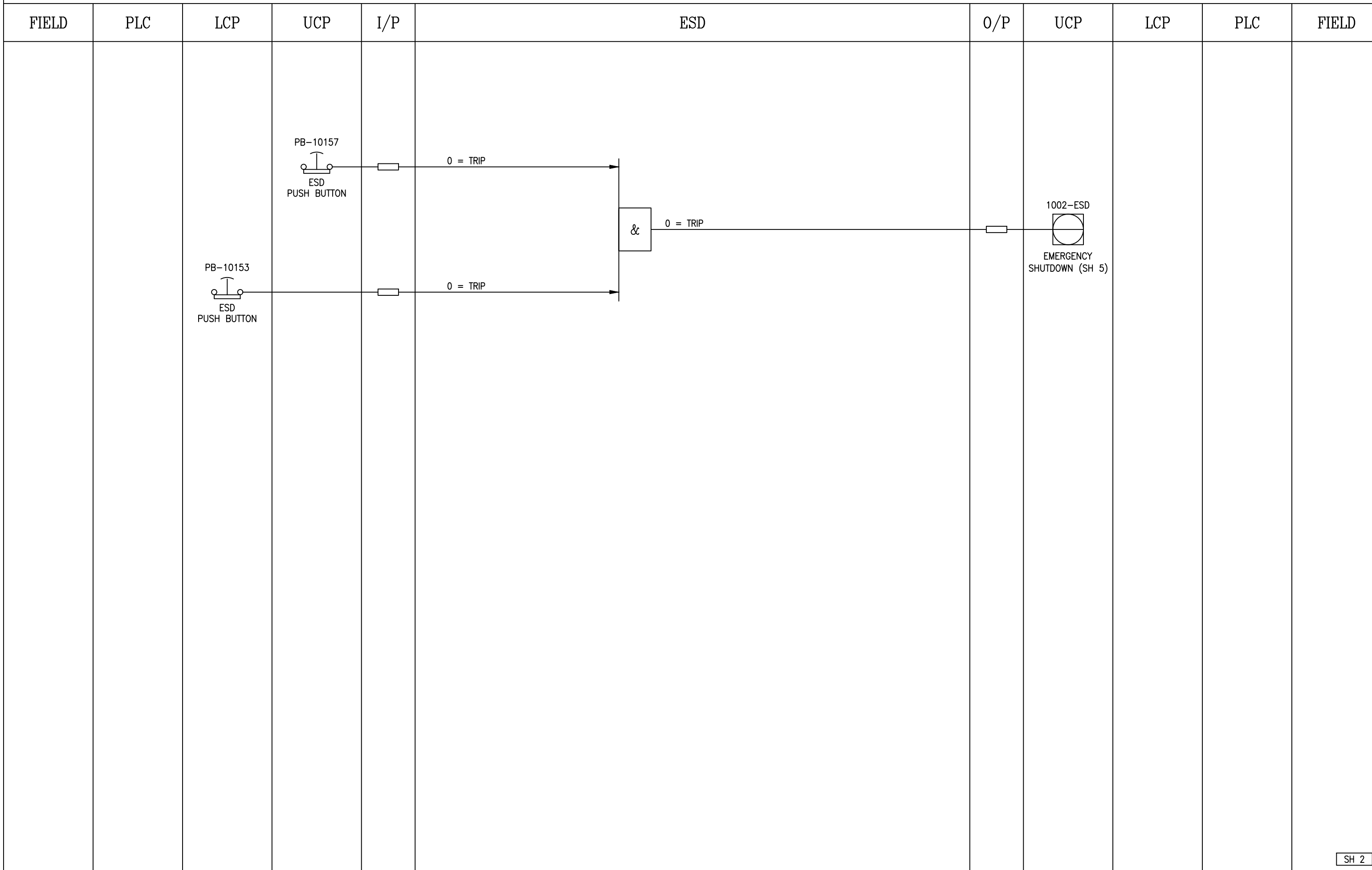
SH 1




SUBJECT	BUSHEHR PETROCHEMICAL COMPANY MEG PLANT NITROGEN COMPRESSOR	DATE	20-11-2020
CLIENT	BUSHEHR PETROCHEMICAL COMPANY (BUPC)	DRAWN BY	TJ
CLIENT REF	20-C-1002	CHECKED BY	KP
AIRPACK REF	17811	PLANT LOCATION	IRAN
		DRAWING NO.	17811-32A
		SHEETNO.	01 /14

THIS DRAWING IS OWNED BY AIRPACK AND SHALL NOT BE PRINTED OR COPIED IN ANY OTHER WAY THAN WITH AIRPACKS PERMISSION	REV 06	14-07-2022	RT
	REV 05	04-07-2022	RT
	REV 04	16-05-2022	WZ
	REV 03	18-03-2022	AS
	REV 02	03-01-2022	AS
	REV 01	29-11-2021	WZ
REV 00	20-11-2020	TJ	

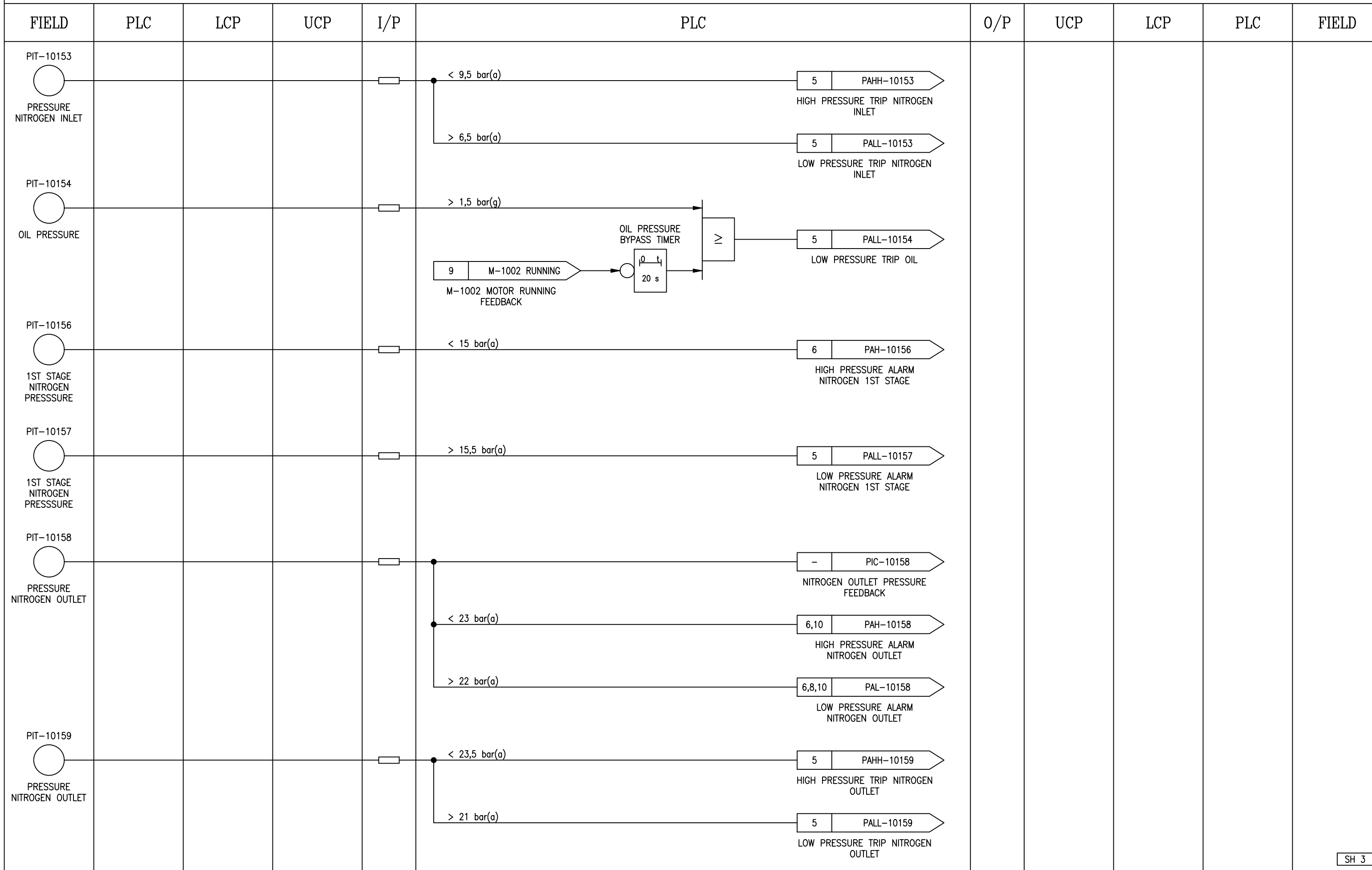
LOGIC DIAGRAM



NOTES:


	SUBJECT BUSHEHR PETROCHEMICAL COMPANY MEG PLANT NITROGEN COMPRESSOR		DATE 20-11-2020	THIS DRAWING IS OWNED BY AIRPACK AND SHALL NOT BE PRINTED OR COPIED IN ANY OTHER WAY THAN WITH AIRPACKS PERMISSION	REV 06 14-07-2022 RT
	CLIENT BUSHEHR PETROCHEMICAL COMPANY (BUPC)	PLANT LOCATION IRAN	DRAWN BY TJ		REV 05 04-07-2022 RT
	CLIENT REF 20-C-1002	DRAWING NO. 17811-32A	CHECKED BY KP		REV 04 16-05-2022 WZ
	AIRPACK REF 17811	SHEETNO. 02 / 14			REV 03 18-03-2022 AS
					REV 02 03-01-2022 AS
					REV 01 29-11-2021 WZ
					REV 00 20-11-2020 TJ

# LOGIC DIAGRAM



SH 3

NOTES:

	SUBJECT BUSHEHR PETROCHEMICAL COMPANY MEG PLANT NITROGEN COMPRESSOR		DATE 20-11-2020	THIS DRAWING IS OWNED BY AIRPACK AND SHALL NOT BE PRINTED OR COPIED IN ANY OTHER WAY THAN WITH AIRPACKS PERMISSION
			DRAWN BY TJ	
			CHECKED BY KP	
	CLIENT BUSHEHR PETROCHEMICAL COMPANY (BUPC)	PLANT LOCATION IRAN		
	CLIENT REF 20-C-1002	DRAWING NO. 17811-32A		
AIRPACK REF 17811	SHEETNO. 03 / 14	REV 06 14-07-2022 RT	REV 05 04-07-2022 RT	
		REV 04 16-05-2022 WZ	REV 03 18-03-2022 AS	
		REV 02 03-01-2022 AS	REV 01 29-11-2021 WZ	
		REV 00 20-11-2020 TJ		

LOGIC DIAGRAM



SH 4

NOTES:

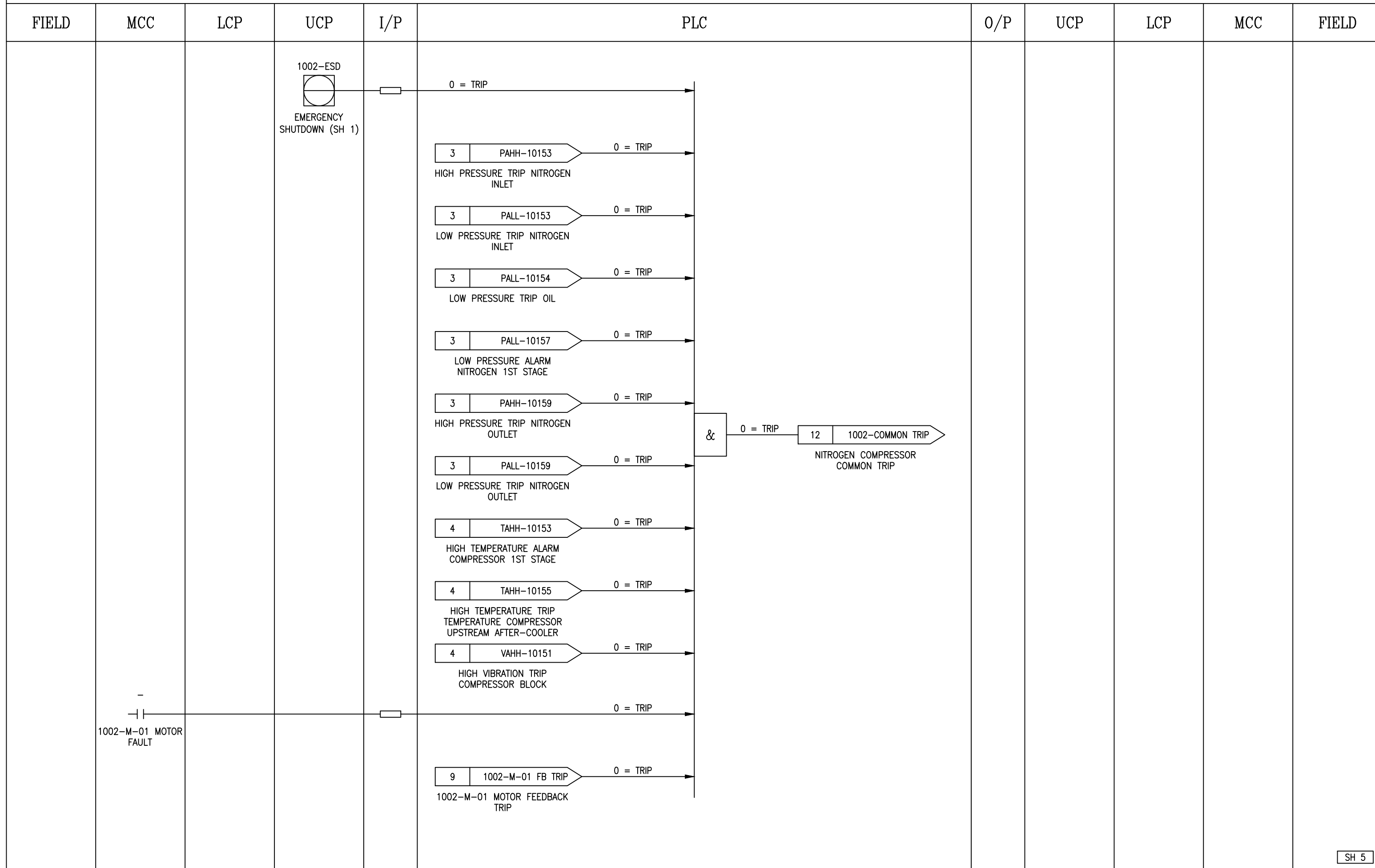


SUBJECT		BUSHEHR PETROCHEMICAL COMPANY MEG PLANT NITROGEN COMPRESSOR	
CLIENT	BUSHEHR PETROCHEMICAL COMPANY (BUPC)	PLANT LOCATION	IRAN
CLIENT REF	20-C-1002	DRAWING NO.	17811-32A
AIRPACK REF	17811	SHEETNO.	04 / 14

DATE	20-11-2020
DRAWN BY	TJ
CHECKED BY	KP

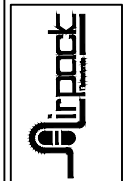
THIS DRAWING IS OWNED BY AIRPACK AND SHALL NOT BE PRINTED OR COPIED IN ANY OTHER WAY THAN WITH AIRPACKS PERMISSION	REV 06	14-07-2022	RT
	REV 05	04-07-2022	RT
	REV 04	16-05-2022	WZ
	REV 03	18-03-2022	AS
	REV 02	03-01-2022	AS
	REV 01	29-11-2021	WZ
REV 00	20-11-2020	TJ	

LOGIC DIAGRAM



SH 5

NOTES:

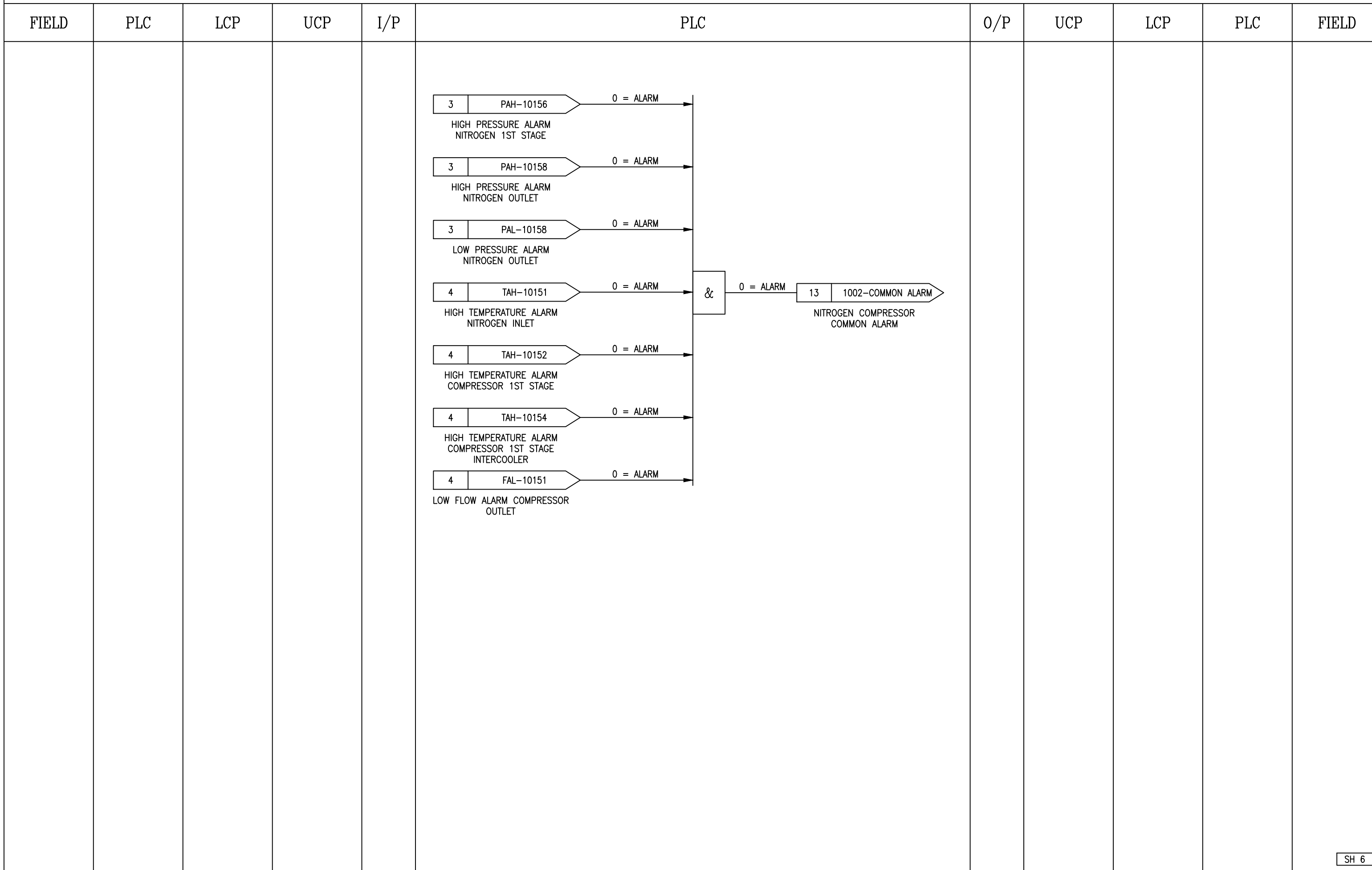


SUBJECT		BUSHEHR PETROCHEMICAL COMPANY MEG PLANT NITROGEN COMPRESSOR	
CLIENT	BUSHEHR PETROCHEMICAL COMPANY (BUPC)	PLANT LOCATION	IRAN
CLIENT REF	20-C-1002	DRAWING NO.	17811-32A
AIRPACK REF	17811	SHEETNO.	05 / 14

DATE	20-11-2020
DRAWN BY	TJ
CHECKED BY	KP

THIS DRAWING IS OWNED BY AIRPACK AND SHALL NOT BE PRINTED OR COPIED IN ANY OTHER WAY THAN WITH AIRPACKS PERMISSION	REV 06	14-07-2022	RT
	REV 05	04-07-2022	RT
	REV 04	16-05-2022	WZ
	REV 03	18-03-2022	AS
	REV 02	03-01-2022	AS
	REV 01	29-11-2021	WZ
	REV 00	20-11-2020	TJ

LOGIC DIAGRAM

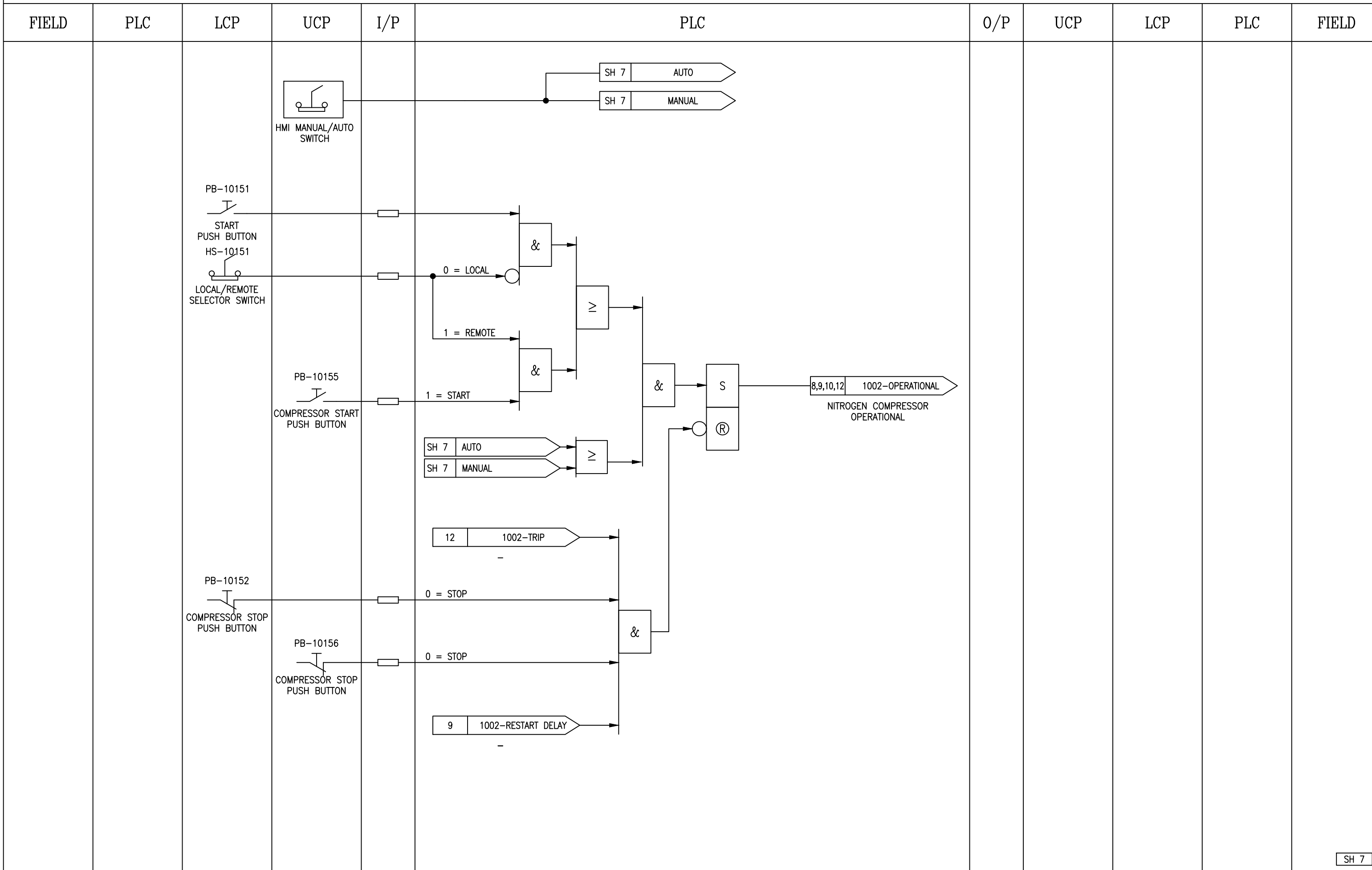


SH 6

NOTES:

	SUBJECT BUSHEHR PETROCHEMICAL COMPANY		DATE	20-11-2020	THIS DRAWING IS OWNED BY AIRPACK AND SHALL NOT BE PRINTED OR COPIED IN ANY OTHER WAY THAN WITH AIRPACKS PERMISSION	
	MEG PLANT		DRAWN BY	TJ		
	NITROGEN COMPRESSOR		CHECKED BY	KP		
	CLIENT	BUSHEHR PETROCHEMICAL COMPANY (BUPC)	PLANT LOCATION	IRAN		
	CLIENT REF	20-C-1002	DRAWING NO.	17811-32A		
AIRPACK REF	17811	SHEETNO.	06 / 14	REV 06	14-07-2022	RT
				REV 05	04-07-2022	RT
				REV 04	16-05-2022	WZ
				REV 03	18-03-2022	AS
				REV 02	03-01-2022	AS
				REV 01	29-11-2021	WZ
				REV 00	20-11-2020	TJ

LOGIC DIAGRAM



SH 7

NOTES:

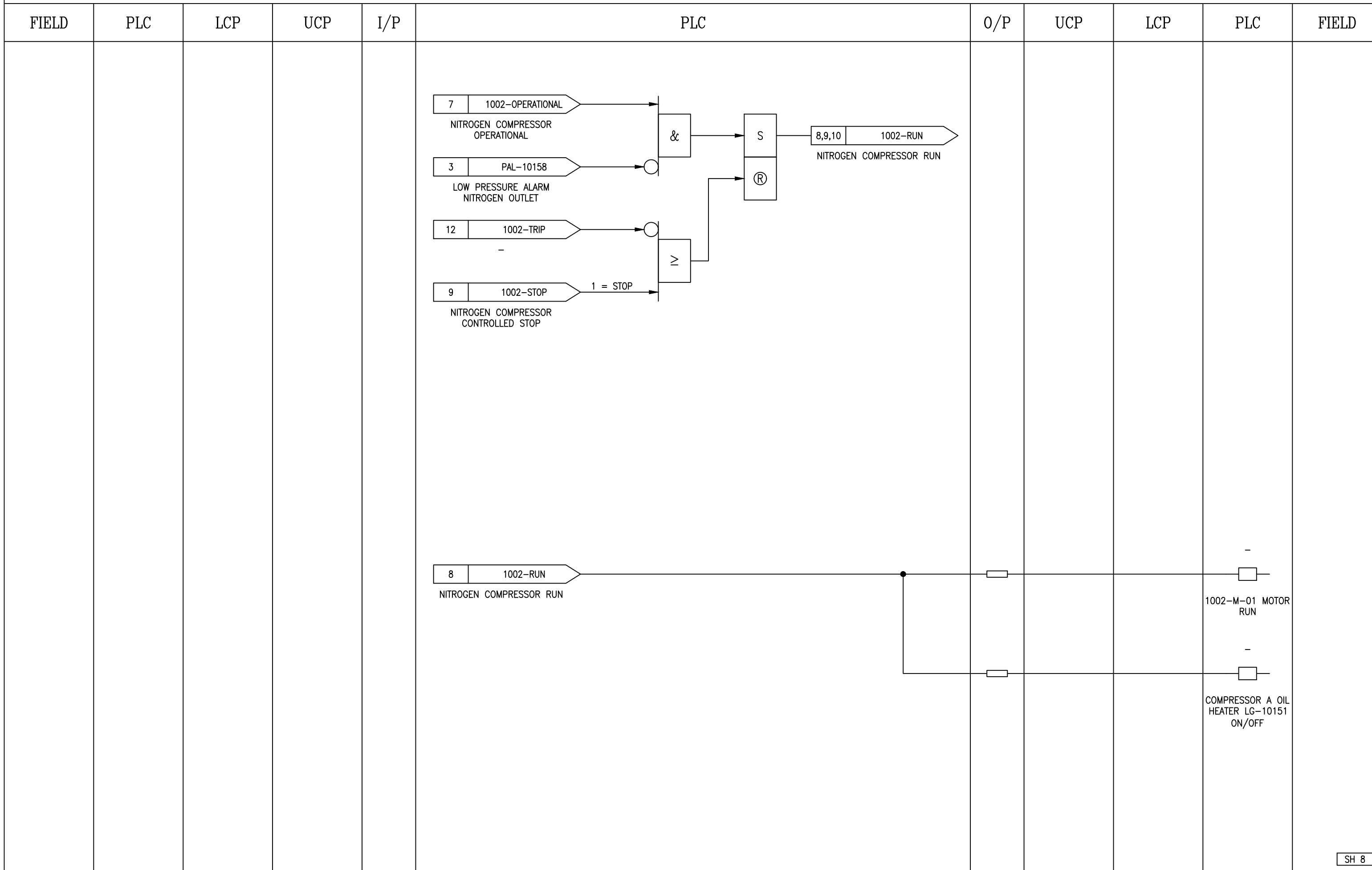


SUBJECT		BUSHEHR PETROCHEMICAL COMPANY MEG PLANT NITROGEN COMPRESSOR	
CLIENT	BUSHEHR PETROCHEMICAL COMPANY (BUPC)	PLANT LOCATION	IRAN
CLIENT REF	20-C-1002	DRAWING NO.	17811-32A
AIRPACK REF	17811	SHEETNO.	07 / 14

DATE	20-11-2020
DRAWN BY	TJ
CHECKED BY	KP

THIS DRAWING IS OWNED BY AIRPACK AND SHALL NOT BE PRINTED OR COPIED IN ANY OTHER WAY THAN WITH AIRPACKS PERMISSION	REV 06	14-07-2022	RT
	REV 05	04-07-2022	RT
	REV 04	16-05-2022	WZ
	REV 03	18-03-2022	AS
	REV 02	03-01-2022	AS
	REV 01	29-11-2021	WZ
	REV 00	20-11-2020	TJ

LOGIC DIAGRAM

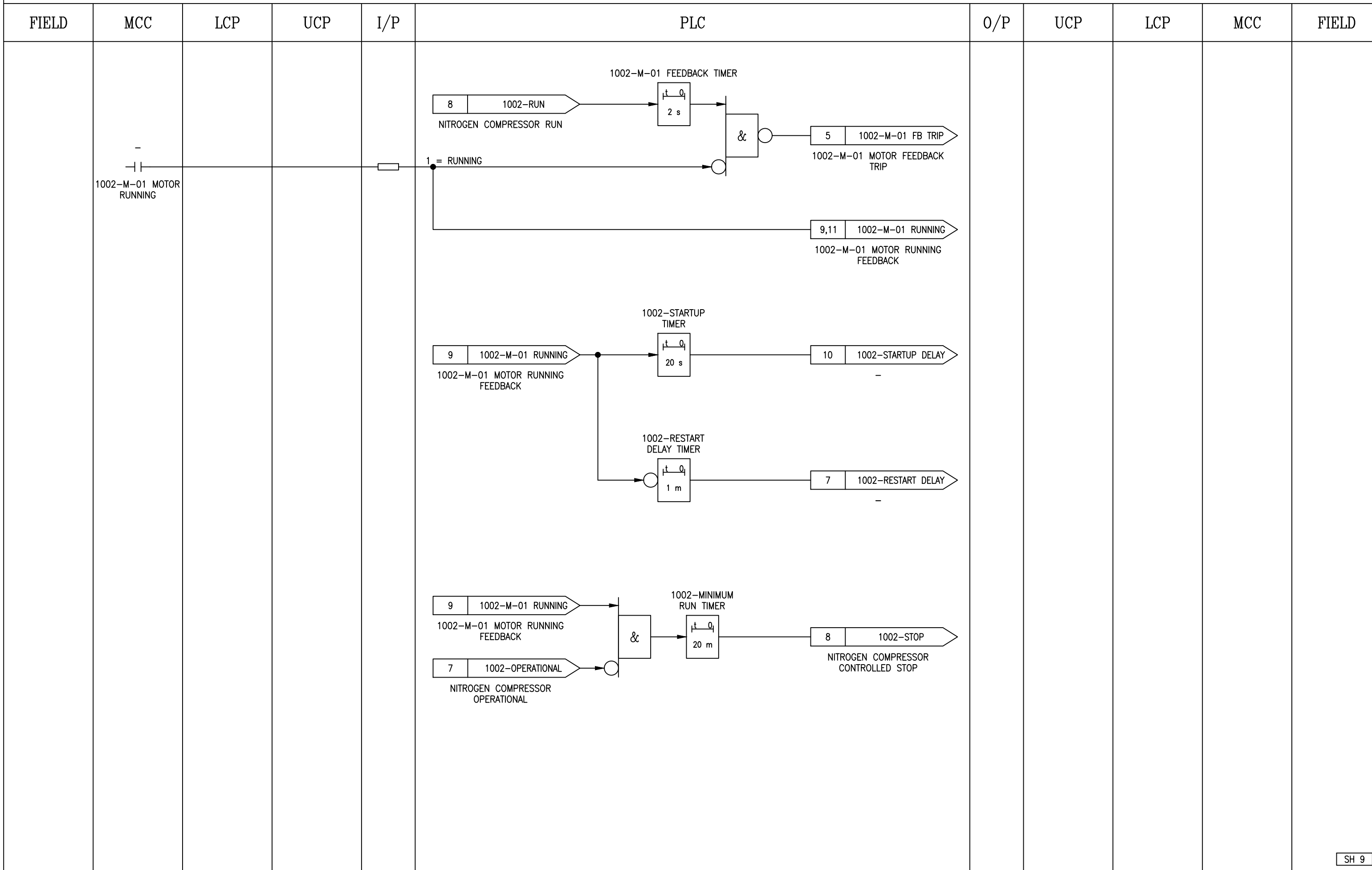


SH 8

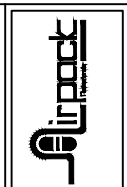
NOTES:

	SUBJECT BUSHEHR PETROCHEMICAL COMPANY MEG PLANT NITROGEN COMPRESSOR		DATE 20-11-2020	THIS DRAWING IS OWNED BY AIRPACK AND SHALL NOT BE PRINTED OR COPIED IN ANY OTHER WAY THAN WITH AIRPACKS PERMISSION	REV 06 14-06-2022 RT
			DRAWN BY TJ		REV 05 04-07-2022 RT
			CHECKED BY KP		REV 04 16-05-2022 WZ
	CLIENT BUSHEHR PETROCHEMICAL COMPANY (BUPC)	PLANT LOCATION IRAN	REV 03 18-03-2022 AS		
	CLIENT REF 20-C-1002	DRAWING NO. 17811-32A	REV 02 03-01-2022 AS		
AIRPACK REF 17811	SHEETNO. 08 / 14	REV 01 29-11-2021 WZ	REV 00 20-11-2020 TJ		

LOGIC DIAGRAM



NOTES:



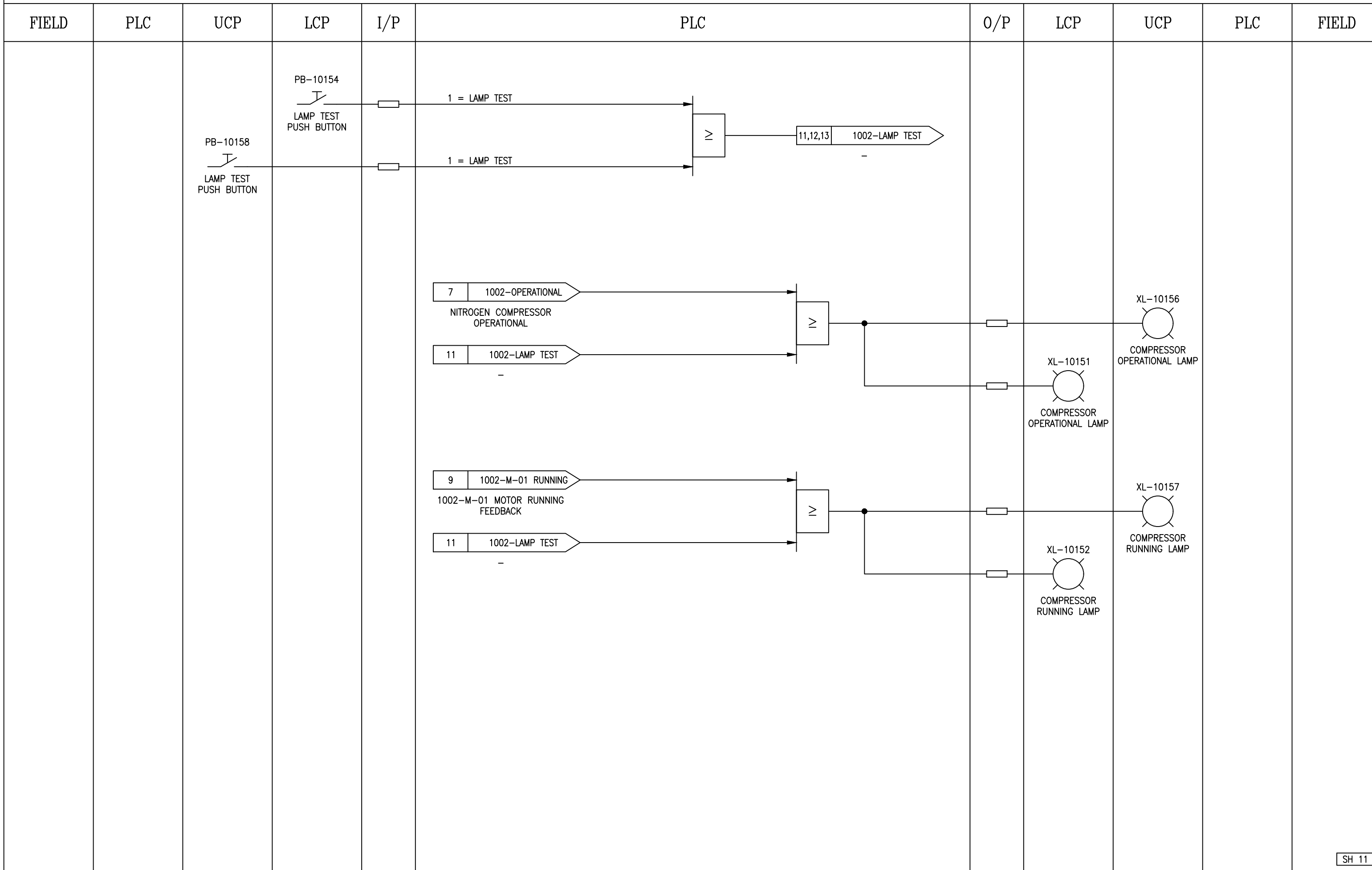
SUBJECT		BUSHEHR PETROCHEMICAL COMPANY MEG PLANT NITROGEN COMPRESSOR	
CLIENT	BUSHEHR PETROCHEMICAL COMPANY (BUPC)	PLANT LOCATION	IRAN
CLIENT REF	20-C-1002	DRAWING NO.	17811-32A
AIRPACK REF	17811	SHEETNO.	09 / 14

DATE	20-11-2020
DRAWN BY	TJ
CHECKED BY	KP

THIS DRAWING IS OWNED BY AIRPACK AND SHALL NOT BE PRINTED OR COPIED IN ANY OTHER WAY THAN WITH AIRPACKS PERMISSION	REV 06	14-07-2022	RT
	REV 05	04-07-2022	RT
	REV 04	16-05-2022	WZ
	REV 03	18-03-2022	AS
	REV 02	03-01-2022	AS
	REV 01	29-11-2021	WZ
REV 00	20-11-2020	TJ	



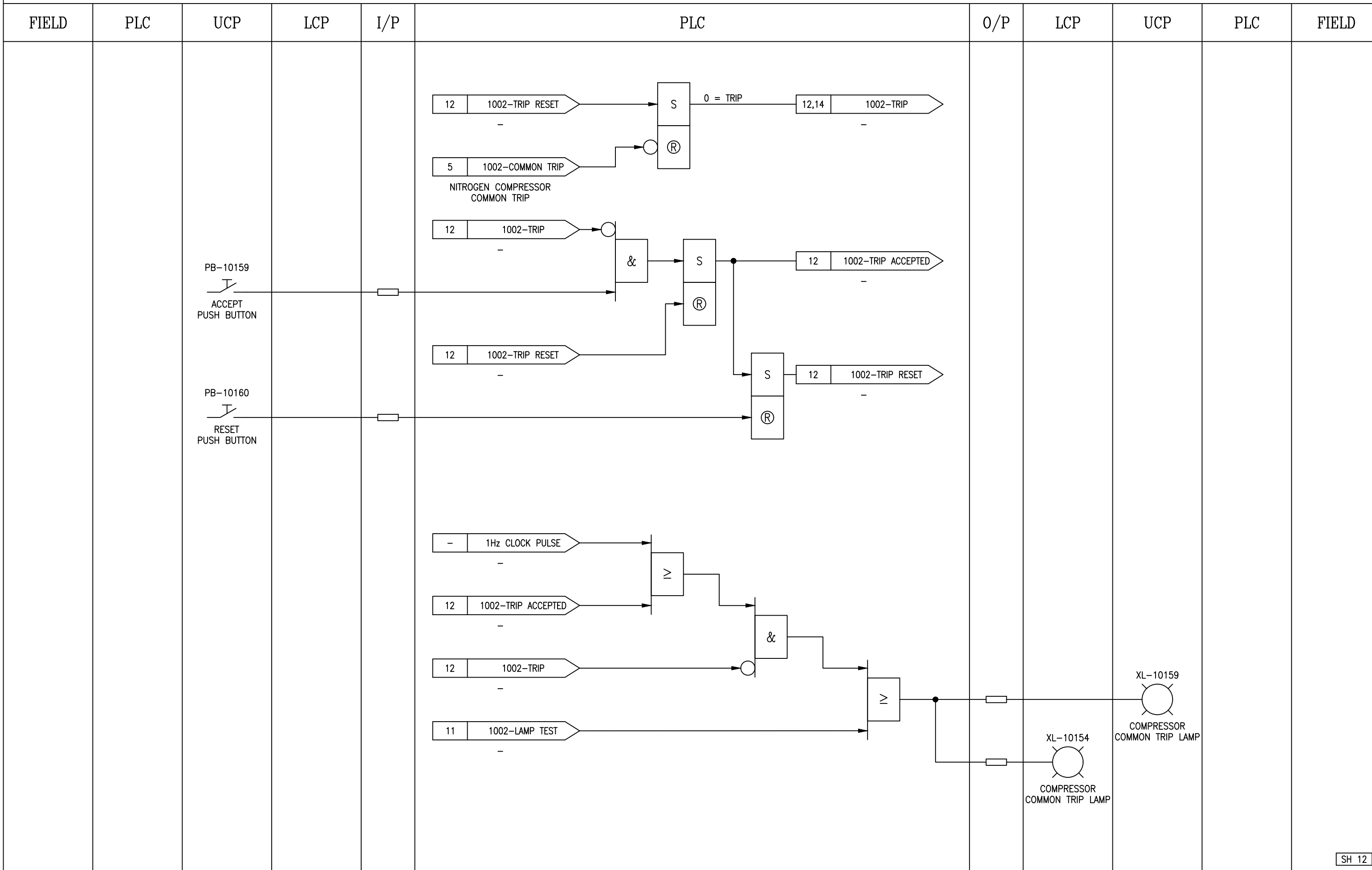
LOGIC DIAGRAM



NOTES:

	SUBJECT BUSHEHR PETROCHEMICAL COMPANY MEG PLANT NITROGEN COMPRESSOR		DATE	20-11-2020	THIS DRAWING IS OWNED BY AIRPACK AND SHALL NOT BE PRINTED OR COPIED IN ANY OTHER WAY THAN WITH AIRPACKS PERMISSION	REV 06	14-07-2022	RT
	CLIENT	BUSHEHR PETROCHEMICAL COMPANY (BUPC)	DRAWN BY	TJ		REV 05	04-07-2022	RT
	CLIENT REF	20-C-1002	CHECKED BY	KP		REV 04	16-05-2022	WZ
	AIRPACK REF	17811	PLANT LOCATION	IRAN		REV 03	18-03-2022	AS
			DRAWING NO.	17811-32A		REV 02	03-01-2022	AS
		SHEETNO.	11 /14	REV 01	29-11-2021	WZ		
				REV 00	20-11-2020	TJ		

LOGIC DIAGRAM



SH 12

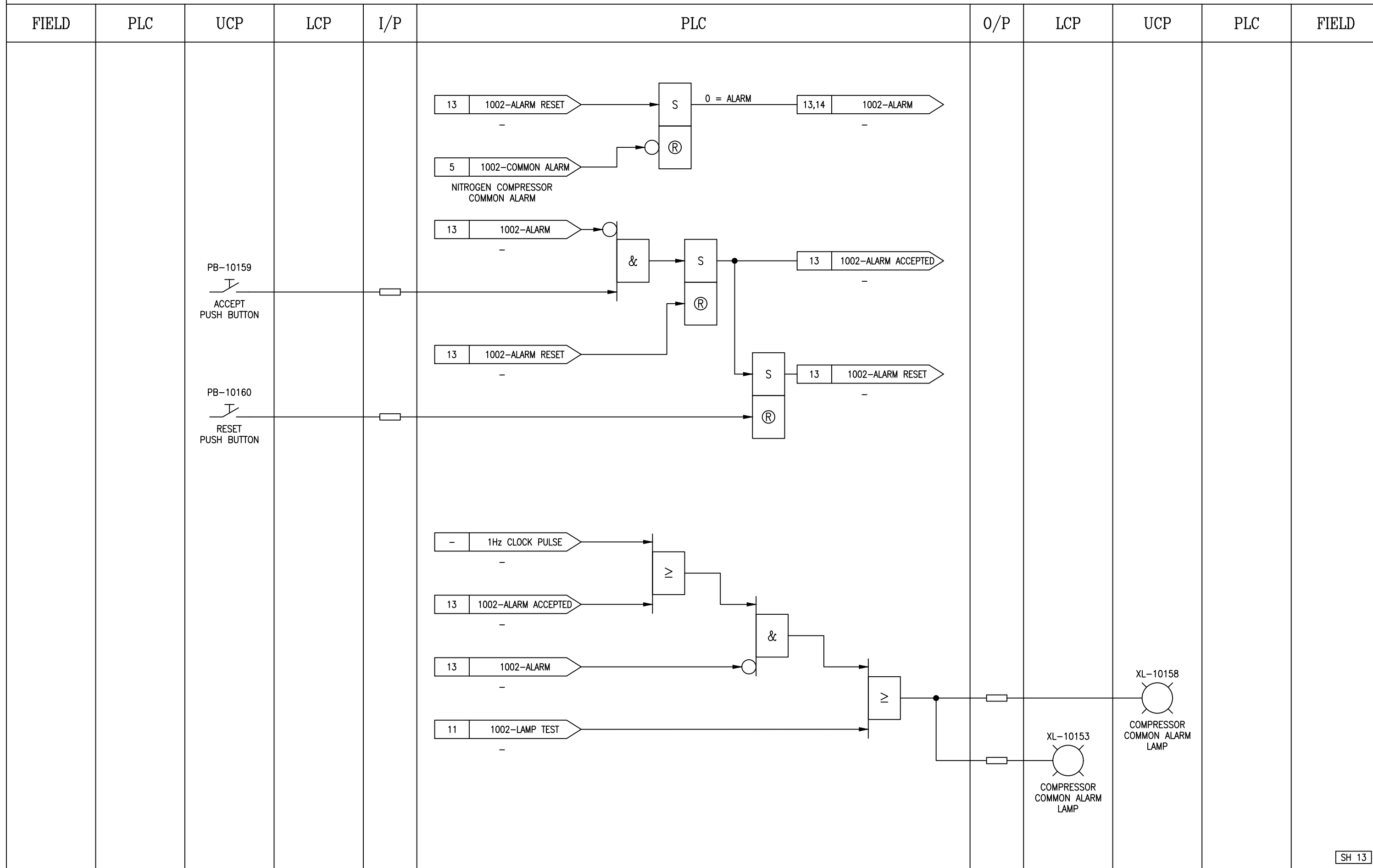
NOTES:



SUBJECT		BUSHEHR PETROCHEMICAL COMPANY MEG PLANT NITROGEN COMPRESSOR	
CLIENT	BUSHEHR PETROCHEMICAL COMPANY (BUPC)	DATE	20-11-2020
CLIENT REF	20-C-1002	DRAWN BY	TJ
AIRPACK REF	17811	CHECKED BY	KP
		PLANT LOCATION	IRAN
		DRAWING NO.	17811-32A
		SHEETNO.	12 / 14

THIS DRAWING IS OWNED BY AIRPACK AND SHALL NOT BE PRINTED OR COPIED IN ANY OTHER WAY THAN WITH AIRPACKS PERMISSION	REV 06	14-07-2022	RT
	REV 05	04-07-2022	RT
	REV 04	16-05-2022	WZ
	REV 03	18-03-2022	AS
	REV 02	03-01-2022	AS
	REV 01	29-11-2021	WZ
	REV 00	20-11-2020	TJ

LOGIC DIAGRAM

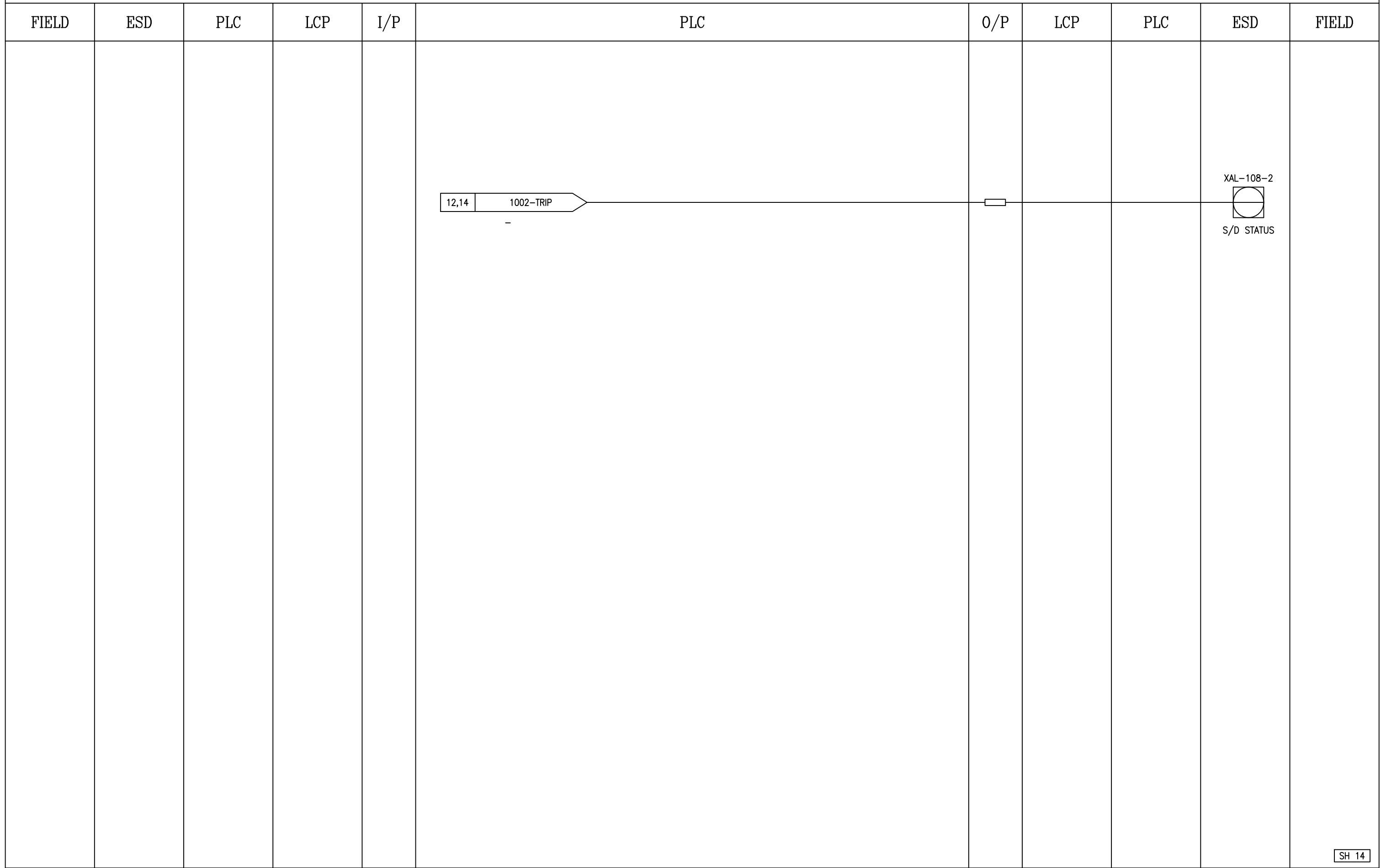


SH 13

NOTES:

	SUBJECT BUSHEHR PETROCHEMICAL COMPANY MEG PLANT NITROGEN COMPRESSOR		DATE 20-11-2020	THIS DRAWING IS OWNED BY AIRPACK AND SHALL NOT BE PRINTED OR COPIED IN ANY OTHER WAY THAN WITH AIRPACKS PERMISSION	REV 06 14-07-2022 RT
	CLIENT BUSHEHR PETROCHEMICAL COMPANY (BUPC)	PLANT LOCATION IRAN	DRAWN BY TJ		REV 05 04-07-2022 RT
CLIENT REF 20-C-1002	DRAWING NO. 17811-32A	CHECKED BY KP	REV 04 16-05-2022 WZ		
AIRPACK REF 17811	SHEETNO. 13 / 14		REV 03 18-03-2022 AS		
			REV 02 03-01-2022 AS		
			REV 01 29-11-2021 WZ		
			REV 00 20-11-2020 TJ		

LOGIC DIAGRAM



SH 14

NOTES:



SUBJECT		BUSHEHR PETROCHEMICAL COMPANY MEG PLANT NITROGEN COMPRESSOR	
CLIENT	BUSHEHR PETROCHEMICAL COMPANY (BUPC)	PLANT LOCATION	IRAN
CLIENT REF	20-C-1002	DRAWING NO.	17811-32A
AIRPACK REF	17811	SHEETNO.	14 /14

DATE	20-11-2020
DRAWN BY	TJ
CHECKED BY	KP

THIS DRAWING IS OWNED BY AIRPACK AND SHALL NOT BE PRINTED OR COPIED IN ANY OTHER WAY THAN WITH AIRPACKS PERMISSION

REV 06	14-07-2022	RT
REV 05	04-07-2022	RT
REV 04	16-05-2022	WZ
REV 03	18-03-2022	AS
REV 02	03-01-2022	AS
REV 01	29-11-2021	WZ
REV 00	20-11-2020	TJ