







OWNER:  شرکت سست و سویی توهم ایران (سهامی خاص)	BUSHEHR PETROCHEMICAL COMPANY MEG PLANT							EPC CONTRACTOR:  Chagalesh-Enerchimi-Steam Joint Venture BUPC-MEG PLANT PROJECT	
	INSTRUMENT HOOK UP DRAWING FOR EMERGENCY INSTRUMENT AIR COMPRESSOR								
MC :  شرکت سست و سویی توهم ایران (سهامی خاص)	Project	Area	Phase	Unit	Dis.	Doc.	Seq.	Contract No : 52-98/445	
Owner Document Number: 17811-38B	BU	20	VD	303	IN	DWG	0103	Rev.:	Page
								04	1 of 14

INSTRUMENT HOOK UP DRAWING FOR EMERGENCY INSTRUMENT AIR COMPRESSOR

 شرکت سست و سویی توهم ایران (سهامی خاص)	 Chagalesh-Enerchimi-Steam Joint Venture BUPC-MEG PLANT PROJECT	BUSHEHR PETROCHEMICAL COMPANY MEG PLANT
Document Review		
Issue Purpose:	AB	
Result Code: AP,AN,CM,RE,NC	AP	
Next Status : IFC,IFA,IFI,AFC,AB	-	
Responsible Department	MECHANICAL	
Commented Date	7/3/2022	
Approval or review hereunder shall not be construed to relieve Vendor / Subcontractor of his responsibilities and liability under the contract.		

04	10/06/2022	As Built	KP	CL	JR	
03	17/05/2022	Approved for Construction	AZ	KP	LdM	
02	06/04/2022	For approval	WZ	KP	LdM	
01	14/02/2022	For approval	WZ	KP	LdM	
00	16/11/2021	For approval	WZ	KP	LdM	
Rev.	Date	Purpose of Issue	Prepared	Checked	Approved	AC Code
					Class: 1	Phase: P

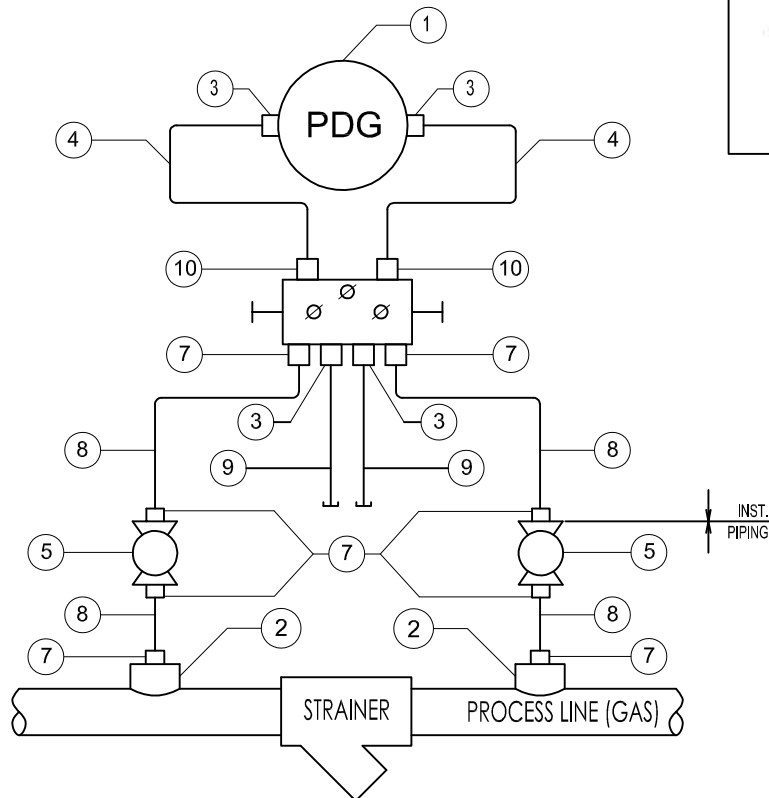
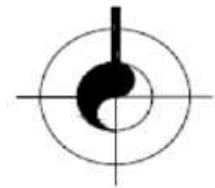
BILL OF MATERIALS			
ITEM NO:	DESCRIPTION	MATERIAL	Q'TY
1	PRESSURE DIFFERENTIAL GAUGE	SS316	1
2	PROCESS CONNECTION 1/2" NPT-F	SS316	2
3	CONNECTOR DOUBLE COMPRESSION TYPE 1/4" NPT-M - 1/4" OD	SS316	4
4	TUBING 1/4" OD	SS316	-
5	2-WAY BALL VALVE 1/2" NPT-F	SS316	2
6	5-WAY BLOCK & BLEED MANIFOLD	SS316	1
7	CONNECTOR DOUBLE COMPRESSION TYPE 1/2" NPT-M - 1/4" OD	SS316	8
8	TUBING 1/4" OD	SS316	-
9	TUBING 1/4" OD WITH CAP	SS316	-
10	CONNECTOR DOUBLE COMPRESSION TYPE 1/2" NPT-M - 1/4" OD	SS316	2

TAG NO: PDG-71101

NO. OF INSTALLATIONS: 1

PRESSURE DIFFERENTIAL GAUGE

Nozzle Tap (GAS)



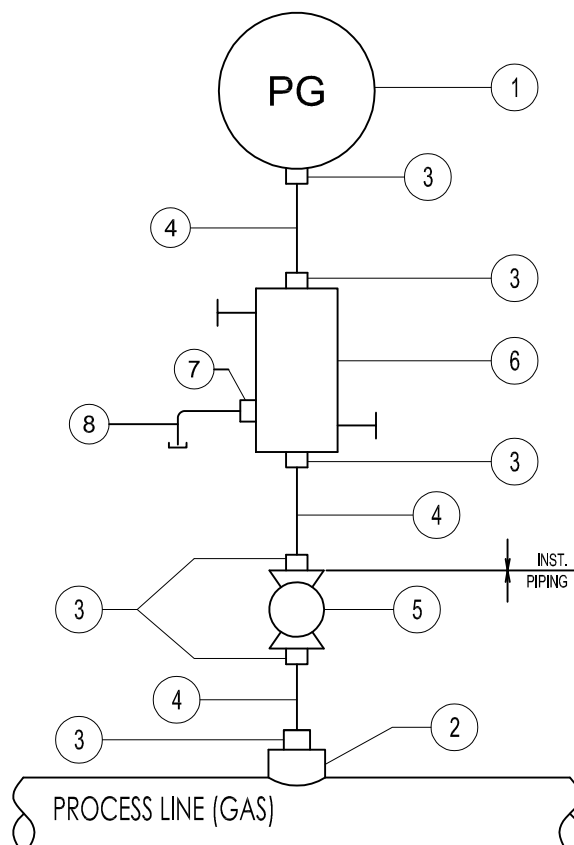
SUBJECT	INSTRUMENT HOOK UP DRAWING FOR EMERGENCY INSTRUMENT AIR COMPRESSOR	DATE	15-11-2021	THIS DRAWING IS OWNED BY AIRPACK AND SHALL NOT BE PRINTED OR COPIED IN ANY OTHER WAY THAN WITH AIRPACKS PERMISSION		
		DRAWN BY	WZ		04	09-06-2022
CLIENT	Bushehr Petrochemical Company (BUPC)	CHECKED BY	KP	03	07-05-2022	WZ
		PLANT LOCATION	IRAN, ONSHORE		02	05-04-2022
CLIENT REF	17811	SCALE	-	01	11-02-2022	WZ
AIRPACK REF	17811-COM	DRAWING NO.	17811-38	00	15-11-2021	WZ
			MODIFICATIONS	SHEET 01/12		

BILL OF MATERIALS			
ITEM NO:	DESCRIPTION	MATERIAL	Q'TY
1	PRESSURE GAUGE	SS316	1
2	PROCESS CONNECTION 1/2" NPT-F	SS316	1
3	CONNECTOR DOUBLE COMPRESSION TYPE 1/2" NPT-M - 1/4" OD	SS316	6
4	TUBING 1/4" OD	SS316	-
5	2-WAY BALL VALVE 1/2" NPT-F	SS316	1
6	2-WAY BLOCK & BLEED MANIFOLD	SS316	1
7	CONNECTOR DOUBLE COMPRESSION TYPE 1/4" NPT-F - 1/4" OD	SS316	1
8	TUBING 1/4" OD WITH CAP	SS316	-

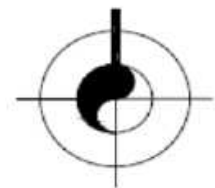
TAG NO: PG-71102 / PG-71105


NO. OF INSTALLATIONS: 2

PRESSURE GAUGE



Nozzle Tap (GAS)



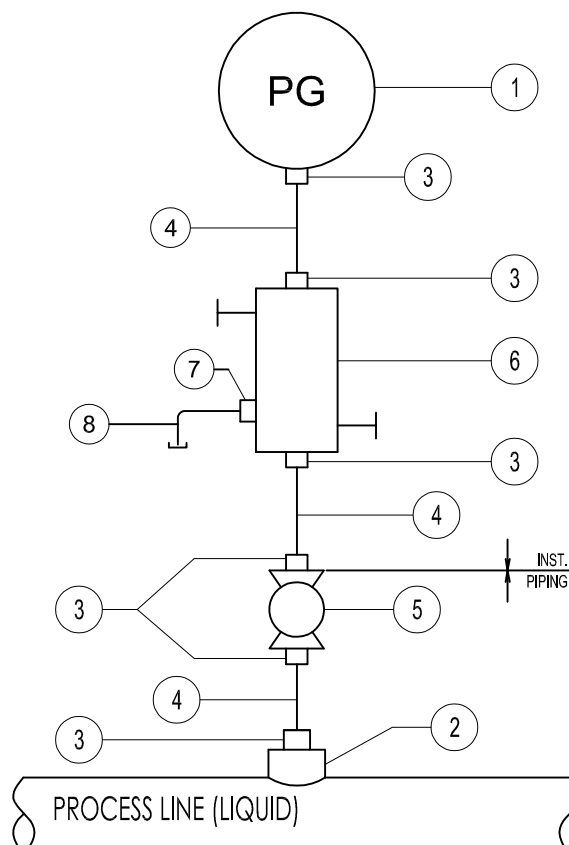
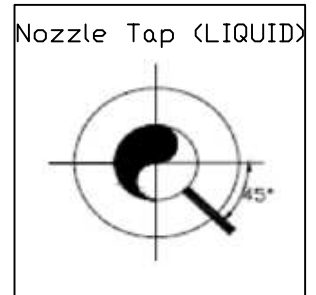
	SUBJECT		INSTRUMENT HOOK UP DRAWING FOR EMERGENCY INSTRUMENT AIR COMPRESSOR		DATE	15-11-2021	THIS DRAWING IS OWNED BY AIRPACK AND SHALL NOT BE PRINTED OR COPIED IN ANY OTHER WAY THAN WITH AIRPACKS PERMISSION 04 09-06-2022 WZ 03 07-05-2022 WZ 02 05-04-2022 WZ 01 11-02-2022 WZ 00 15-11-2021 WZ
	CLIENT	Bushehr Petrochemical Company (BUPC)		PLANT LOCATION	IRAN, ONSHORE		
	CLIENT REF	17811		SCALE	-		
	AIRPACK REF	17811-COM		DRAWING NO.	17811-38		
MODIFICATIONS			SHEET		02/12		

BILL OF MATERIALS			
ITEM NO:	DESCRIPTION	MATERIAL	Q'TY
1	PRESSURE GAUGE	SS316	1
2	PROCESS CONNECTION 1/2" NPT-F	SS316	1
3	CONNECTOR DOUBLE COMPRESSION TYPE 1/2" NPT-M - 1/4" OD	SS316	6
4	TUBING 1/4" OD	SS316	-
5	2-WAY BALL VALVE 1/2" NPT-F	SS316	1
6	2-WAY BLOCK & BLEED MANIFOLD	SS316	1
7	CONNECTOR DOUBLE COMPRESSION TYPE 1/4" NPT-F - 1/4" OD	SS316	1
8	TUBING 1/4" OD WITH CAP	SS316	-

TAG NO: PG-71106

NO. OF INSTALLATIONS: 1

PRESSURE GAUGE



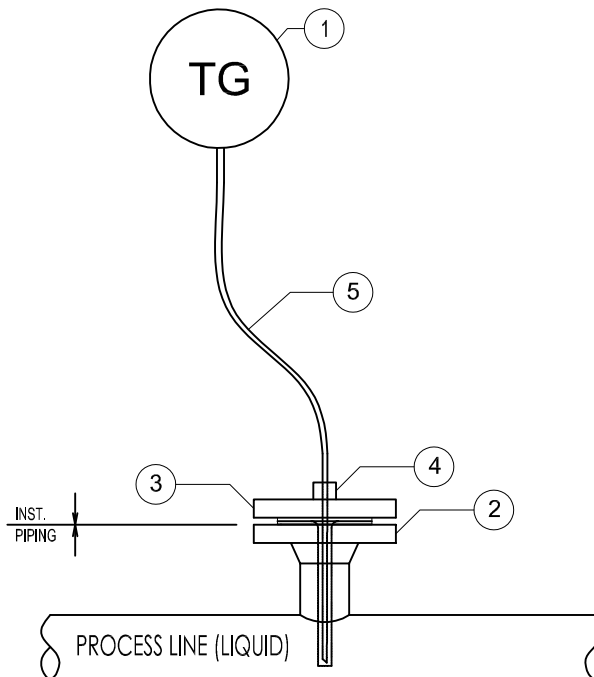
	SUBJECT		INSTRUMENT HOOK UP DRAWING FOR EMERGENCY INSTRUMENT AIR COMPRESSOR		DATE	15-11-2021	THIS DRAWING IS OWNED BY AIRPACK AND SHALL NOT BE PRINTED OR COPIED IN ANY OTHER WAY THAN WITH AIRPACKS PERMISSION			
	CLIENT		Bushehr Petrochemical Company (BUPC)		DRAWN BY	WZ		04	09-06-2022	WZ
	CLIENT REF		17811		CHECKED BY	KP		03	17-05-2022	WZ
	AIRPACK REF		17811-COM		PLANT LOCATION	IRAN, ONSHORE		02	05-04-2022	WZ
				SCALE	-	01	11-02-2022	WZ		
				DRAWING NO.	17811-38	00	15-11-2021	WZ		
				MODIFICATIONS				SHEET	03/12	


BILL OF MATERIALS				
ITEM NO:	DESCRIPTION	MATERIAL	Q'TY	
1	TEMPERATURE GAUGE	SS316	1	
2	PROCESS CONNECTION 1 1/2" ANSI 300# RF	SS316	1	
3	THERMOWELL 1 1/2" ANSI 300# RF	SS316	1	
4	CONNECTOR DOUBLE COMPRESSION FITTING 1/2" NPT-M - 6 MM OD	SS316	1	
5	CAPILARY, L=5M MOULDED TO TEMPERATURE ELEMENT	SS316	1	

TAG NO: TG-71103 / TG-71104

NO. OF INSTALLATIONS: 2

TEMPERATURE GAUGE



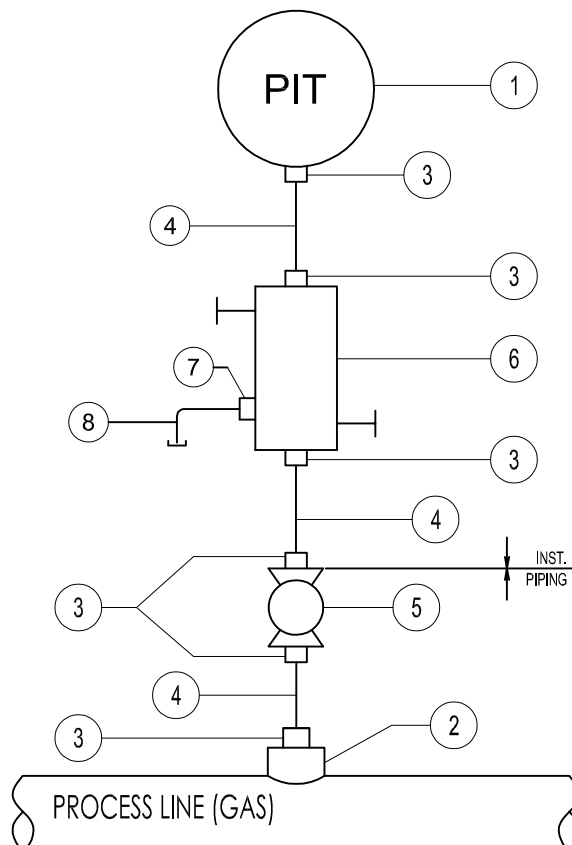
	SUBJECT		INSTRUMENT HOOK UP DRAWING FOR EMERGENCY INSTRUMENT AIR COMPRESSOR		DATE	15-11-2021	THIS DRAWING IS OWNED BY AIRPACK AND SHALL NOT BE PRINTED OR COPIED IN ANY OTHER WAY THAN WITH AIRPACKS PERMISSION			
	CLIENT		Bushehr Petrochemical Company (BUPC)		DRAWN BY	WZ		04	09-06-2022	WZ
	CLIENT REF		17811		CHECKED BY	KP		03	17-05-2022	WZ
	AIRPACK REF		17811-COM		PLANT LOCATION	IRAN, ONSHORE		02	05-04-2022	WZ
					SCALE	-		01	11-02-2022	WZ
				DRAWING NO.	17811-38	00	15-11-2021	WZ		
				MODIFICATIONS		SHEET		04/12		

BILL OF MATERIALS			
ITEM NO:	DESCRIPTION	MATERIAL	Q'TY
1	PRESSURE TRANSMITTER	ALUMINIUM	1
2	PROCESS CONNECTION 1/2" NPT-F	SS316	1
3	CONNECTOR DOUBLE COMPRESSION TYPE 1/2" NPT-M - 1/4" OD	SS316	6
4	TUBING 1/4" OD	SS316	-
5	2-WAY BALL VALVE 1/2" NPT-F	SS316	1
6	2-WAY BLOCK & BLEED MANIFOLD	SS316	1
7	CONNECTOR DOUBLE COMPRESSION TYPE 1/4" NPT-F - 1/4" OD	SS316	1
8	TUBING 1/4" OD WITH CAP	SS316	-

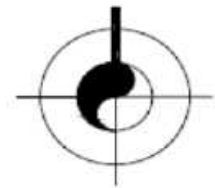
TAG NO: PIT-71103 / PIT-71107


NO. OF INSTALLATIONS: 2

PRESSURE TRANSMITTER



Nozzle Tap (GAS)



	SUBJECT		INSTRUMENT HOOK UP DRAWING FOR EMERGENCY INSTRUMENT AIR COMPRESSOR		DATE	15-11-2021	THIS DRAWING IS OWNED BY AIRPACK AND SHALL NOT BE PRINTED OR COPIED IN ANY OTHER WAY THAN WITH AIRPACKS PERMISSION 04 09-06-2022 WZ 03 07-05-2022 WZ 02 05-04-2022 WZ 01 11-02-2022 WZ 00 15-11-2021 WZ
	CLIENT	Bushehr Petrochemical Company (BUPC)	PLANT LOCATION	IRAN, ONSHORE	DRAWN BY	WZ	
	CLIENT REF	17811	SCALE	-	CHECKED BY	KP	
	AIRPACK REF	17811-COM	DRAWING NO.	17811-38	MODIFICATIONS	SHEET	

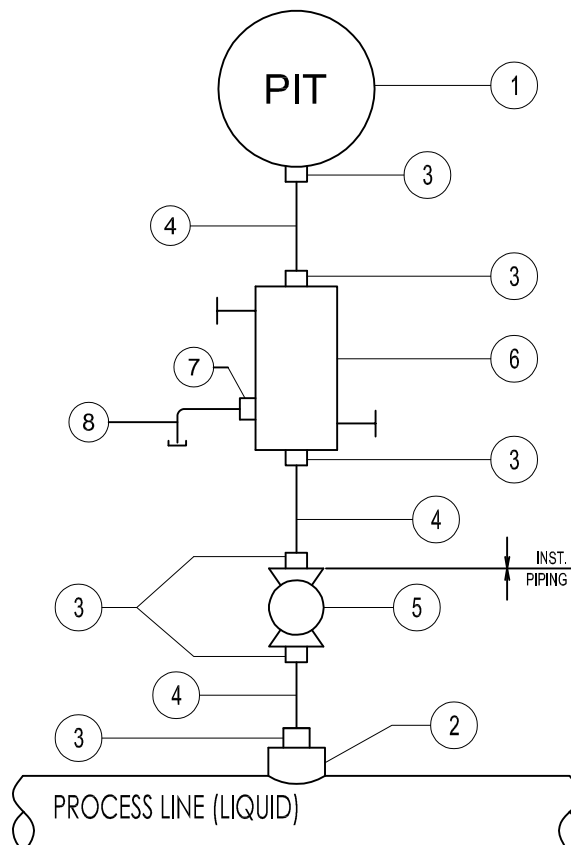
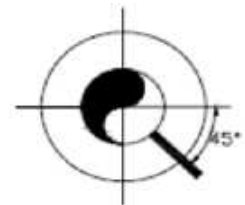
BILL OF MATERIALS			
ITEM NO:	DESCRIPTION	MATERIAL	Q'TY
1	PRESSURE TRANSMITTER	ALUMINIUM	1
2	PROCESS CONNECTION 1/2" NPT-F	SS316	1
3	CONNECTOR DOUBLE COMPRESSION TYPE 1/2" NPT-M - 1/4" OD	SS316	6
4	TUBING 1/4" OD	SS316	-
5	2-WAY BALL VALVE 1/2" NPT-F	SS316	1
6	2-WAY BLOCK & BLEED MANIFOLD	SS316	1
7	CONNECTOR DOUBLE COMPRESSION TYPE 1/4" NPT-F - 1/4" OD	SS316	1
8	TUBING 1/4" OD WITH CAP	SS316	-

TAG NO: PIT-71104

NO. OF INSTALLATIONS: 1

PRESSURE TRANSMITTER

Nozzle Tap (LIQUID)



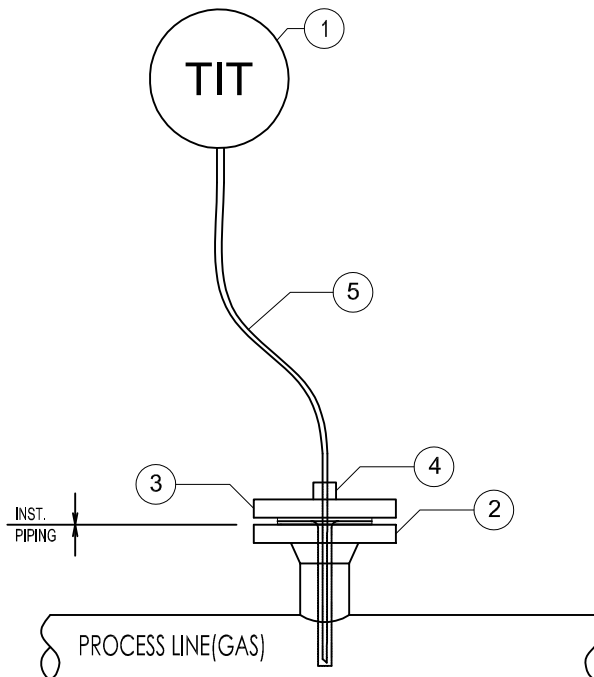
SUBJECT	INSTRUMENT HOOK UP DRAWING FOR EMERGENCY INSTRUMENT AIR COMPRESSOR	DATE	15-11-2021	THIS DRAWING IS OWNED BY AIRPACK AND SHALL NOT BE PRINTED OR COPIED IN ANY OTHER WAY THAN WITH AIRPACKS PERMISSION			
		DRAWN BY	WZ		04	09-06-2022	WZ
CLIENT	Bushehr Petrochemical Company (BUPC)	CHECKED BY	KP	IN ANY OTHER WAY THAN WITH AIRPACKS PERMISSION	03	17-05-2022	WZ
		PLANT LOCATION	IRAN, ONSHORE		02	05-04-2022	WZ
CLIENT REF	17811	SCALE	-	IN ANY OTHER WAY THAN WITH AIRPACKS PERMISSION	01	11-02-2022	WZ
AIRPACK REF	17811-COM	DRAWING NO.	17811-38		00	15-11-2021	WZ
				MODIFICATIONS	SHEET	06/12	


BILL OF MATERIALS			
ITEM NO:	DESCRIPTION	MATERIAL	Q'TY
1	TEMPERATURE TRANSMITTER	ALUMINIUM	1
2	PROCESS CONNECTION 1 1/2" ANSI 300# RF	SS316	1
3	THERMOWELL 1 1/2" ANSI 300# RF	SS316	1
4	CONNECTOR DOUBLE COMPRESSION FITTING 1/2" NPT-M - 6 MM OD	SS316	1
5	CAPILARY, L=5M MOULDED TO TEMPERATURE ELEMENT	SS316	1

TAG NO: TIT-71101 / TIT-71102

NO. OF INSTALLATIONS: 2

TEMPERATURE TRANSMITTER



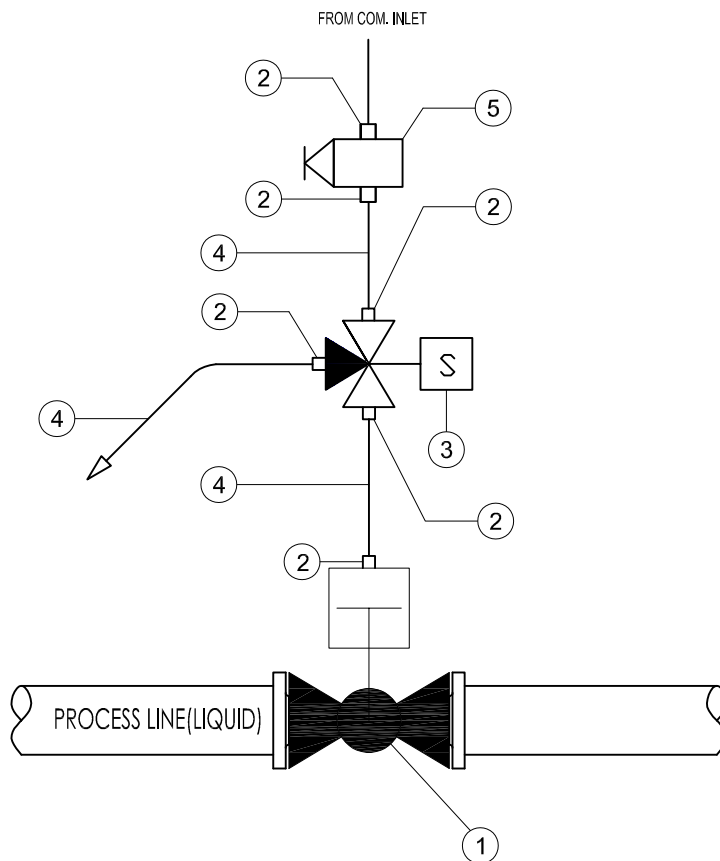
	SUBJECT		INSTRUMENT HOOK UP DRAWING FOR EMERGENCY INSTRUMENT AIR COMPRESSOR	DATE	15-11-2021	THIS DRAWING IS OWNED BY AIRPACK AND SHALL NOT BE PRINTED OR COPIED IN ANY OTHER WAY THAN WITH AIRPACKS PERMISSION				
	CLIENT	Bushehr Petrochemical Company (BUPC)	PLANT LOCATION	IRAN, ONSHORE				04	09-06-2022	WZ
	CLIENT REF	17811	SCALE	-				03	17-05-2022	WZ
	AIRPACK REF	17811-COM	DRAWING NO.	17811-38				02	05-04-2022	WZ
								01	11-02-2022	WZ
						00	15-11-2021	WZ		
						MODIFICATIONS	SHEET	07/12		

BILL OF MATERIALS				
ITEM NO:	DESCRIPTION	MATERIAL	Q'TY	
1	2-WAY BALL VALVE 1 1/2" ANSI 150# RF	SS 316	1	
2	CONNECTOR DOUBLE COMPRESSION TYPE 1/4" NPT-M - 1/4" OD	SS 316	6	
3	3-WAY SOLENOID VALVE	SS 316	1	
4	TUBING 1/4" OD	SS 316	-	
5	FILTER REGULATOR	SS316	1	

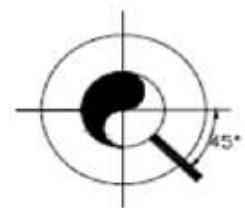
TAG NO: XV-71102
XY-71102


NO. OF INSTALLATIONS: 1

PNEUMATIC OPERATED BALL VALVE



Nozzle Tap (LIQUID)



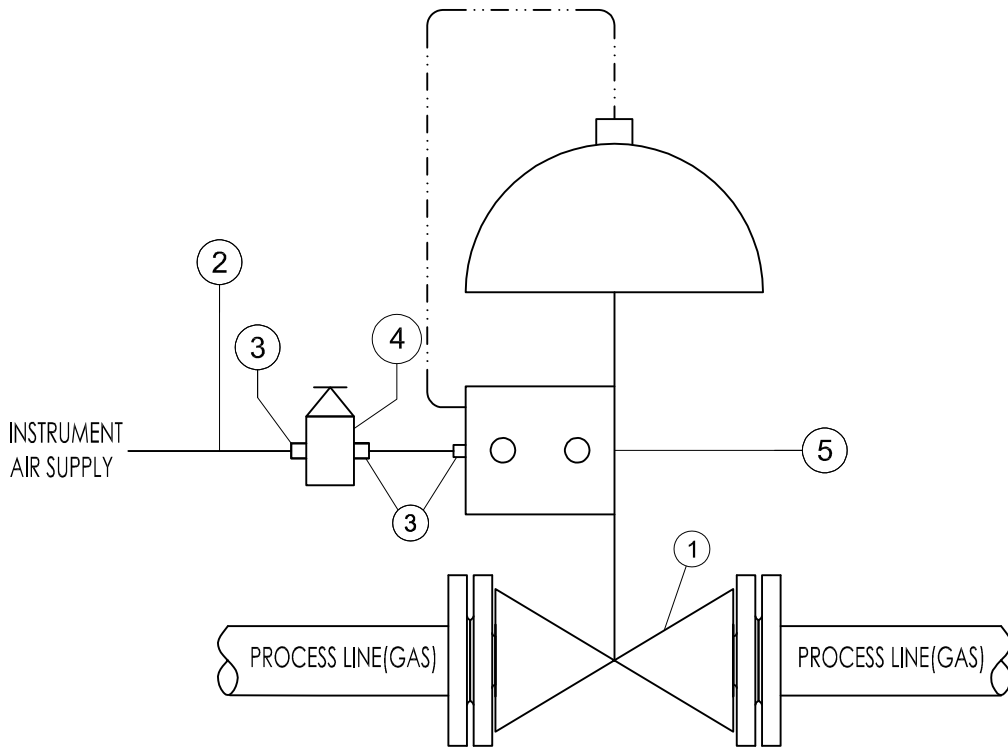
	SUBJECT		INSTRUMENT HOOK UP DRAWING FOR EMERGENCY INSTRUMENT AIR COMPRESSOR	DATE	15-11-2021	THIS DRAWING IS OWNED BY AIRPACK AND SHALL NOT BE PRINTED OR COPIED IN ANY OTHER WAY THAN WITH AIRPACKS PERMISSION 04 09-06-2022 WZ 03 07-05-2022 WZ 02 05-04-2022 WZ 01 11-02-2022 WZ 00 15-11-2021 WZ
	CLIENT	Bushehr Petrochemical Company (BUPC)	PLANT LOCATION	IRAN, ONSHORE		
	CLIENT REF	17811	SCALE	-		
	AIRPACK REF	17811-COM	DRAWING NO.	17811-38		
	MODIFICATIONS		SHEET		10/12	


BILL OF MATERIALS				
ITEM NO:	DESCRIPTION	MATERIAL	Q'TY	
1	PRESSURE RECYCLE VALVE 1" ANSI 300# RF	SS316	1	
2	TUBING 1/4" OD	SS316	-	
3	CONNECTOR DOUBLE COMPRESSION TYPE 1/4" NPT-M x 1/4" OD	SS316	3	
4	FILTER REGULATOR	SS316	1	
5	VALVE POSITIONER WITH INLET AND OUTLET GAUGE	SS316	1	

TAG NO: PV-71101

NO. OF INSTALLATIONS: 1

PRESSURE RECYCLE VALVE



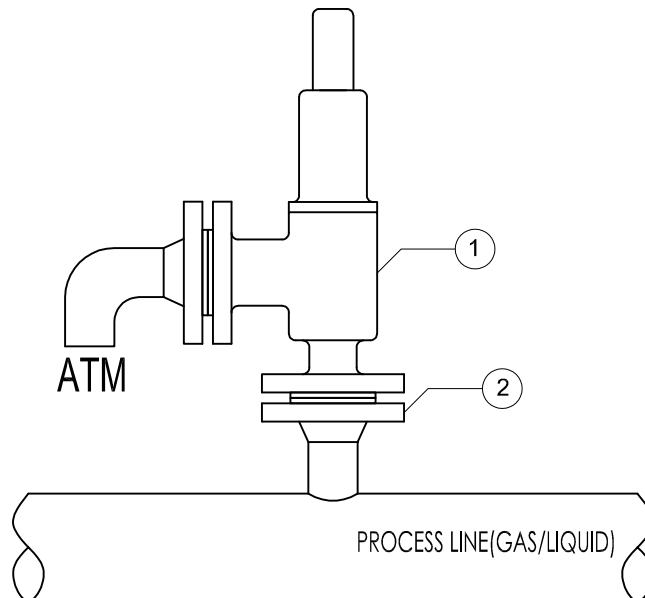
	SUBJECT		INSTRUMENT HOOK UP DRAWING FOR EMERGENCY INSTRUMENT AIR COMPRESSOR		DATE	15-11-2021	THIS DRAWING IS OWNED BY AIRPACK AND SHALL NOT BE PRINTED OR COPIED IN ANY OTHER WAY THAN WITH AIRPACKS PERMISSION			
	CLIENT		Bushehr Petrochemical Company (BUPC)		DRAWN BY	WZ		04	09-06-2022	WZ
	CLIENT REF		17811		CHECKED BY	KP		03	07-05-2022	WZ
	AIRPACK REF		17811-COM		PLANT LOCATION	IRAN, ONSHORE		02	05-04-2022	WZ
					SCALE	-		01	11-02-2022	WZ
				DRAWING NO.	17811-38	00	15-11-2021	WZ		
						MODIFICATIONS		SHEET	11/12	


BILL OF MATERIALS			
ITEM NO:	DESCRIPTION	MATERIAL	Q'TY
1	PRESSURE SAFETY VALVE 1" ANSI 300# RF / ... / VTA" ANSI 150# RF	SS 316	1
2	PROCESS CONNECTION 1" ANSI 150# RF	SS 316	1

TAG NO: PSV-71101 / PSV-71102

NO. OF INSTALLATIONS: 2

PRESSURE SAFETY VALVE



	SUBJECT		INSTRUMENT HOOK UP DRAWING FOR EMERGENCY INSTRUMENT AIR COMPRESSOR	DATE	15-11-2021	THIS DRAWING IS OWNED BY AIRPACK AND SHALL NOT BE PRINTED OR COPIED IN ANY OTHER WAY THAN WITH AIRPACKS PERMISSION			
	CLIENT		Bushehr Petrochemical Company (BUPC)	DRAWN BY	WZ		04	09-06-2022	WZ
	CLIENT REF		17811	CHECKED BY	KP		03	17-05-2022	WZ
	AIRPACK REF		17811-COM	PLANT LOCATION	IRAN, ONSHORE		02	05-04-2022	WZ
				SCALE	-		01	11-02-2022	WZ
			DRAWING NO.	17811-38	00	15-11-2021	WZ		
						MODIFICATIONS	SHEET	12/12	