








OWNER:  شرکت سست و سویی توهمه ایرانیان (سهامی خاص)	BUSHEHR PETROCHEMICAL COMPANY MEG PLANT						EPC CONTRACTOR:  Chagalesh-Enerchimi-Steam Joint Venture BUPC-MEG PLANT PROJECT		
	INSTRUMENT HOOK UP DRAWING FOR NITROGEN GAS BOOSTER								
MC :									
Owner Document Number: 17811-38A	Project	Area	Phase	Unit	Dis.	Doc.	Seq.	Rev.:	Page
	BU	20	VD	303	IN	DWG	0033	05	1 of 14

INSTRUMENT HOOK UP DRAWING FOR NITROGEN GAS BOOSTER

 شرکت سست و سویی توهمه ایرانیان	 Chagalesh-Enerchimi-Steam Joint Venture BUPC-MEG PLANT PROJECT	BUSHEHR PETROCHEMICAL COMPANY MEG PLANT
Document Review		
Issue Purpose:	AB	
Result Code: AP,AN,CM,RE,NC	AP	
Next Status : IFC,IFA,IFI,AFC,AB	-	
Responsible Department	MECHANICAL	
Commented Date	7/3/2022	
Approval or review hereunder shall not be construed to relieve Vendor / Subcontractor of his responsibilities and liability under the contract.		

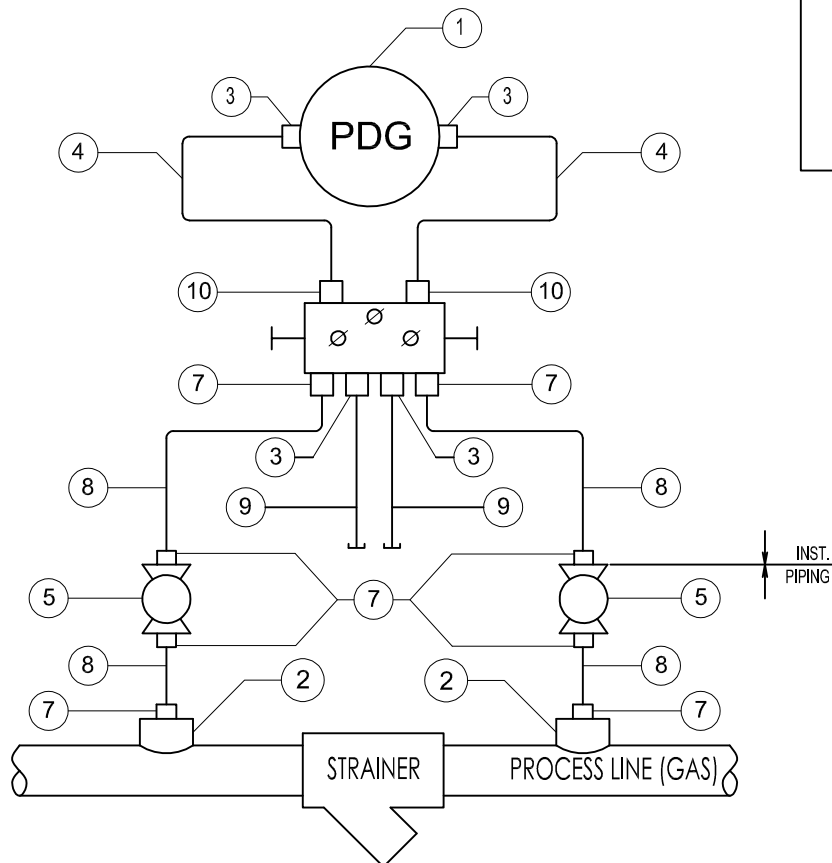
05	10/06/2022	As Built	KP	CL	JR	
04	17/05/2022	Approved for Construction	AZ	KP	LdM	
03	06/04/2022	For approval	WZ	KP	LdM	
02	14/02/2022	For approval	WZ	KP	LdM	
01	16/11/2021	For approval	WZ	KP	LdM	
00	08/12/2020	For approval	WZ	KP	LdM	
Rev.	Date	Purpose of Issue	Prepared	Checked	Approved	AC Code
					Class: 1	Phase: P

BILL OF MATERIALS			
ITEM NO:	DESCRIPTION	MATERIAL	Q'TY
1	PRESSURE DIFFERENTIAL GAUGE	SS316	1
2	PROCESS CONNECTION 1/2" NPT-F	SS316	2
3	CONNECTOR DOUBLE COMPRESSION TYPE 1/4" NPT-M - 1/4" OD	SS316	4
4	TUBING 1/4" OD	SS316	-
5	2-WAY BALL VALVE 1/2" NPT-F	SS316	2
6	5-WAY BLOCK & BLEED MANIFOLD	SS316	1
7	CONNECTOR DOUBLE COMPRESSION TYPE 1/2" NPT-M - 1/4" OD	SS316	8
8	TUBING 1/4" OD	SS316	-
9	TUBING 1/4" OD WITH CAP	SS316	-
10	CONNECTOR DOUBLE COMPRESSION TYPE 1/2" NPT-M - 1/4" OD	SS316	2

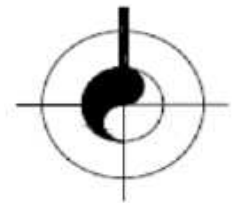
TAG NO: PDG-10151

NO. OF INSTALLATIONS: 1

PRESSURE DIFFERENTIAL GAUGE



Nozzle Tap (GAS)



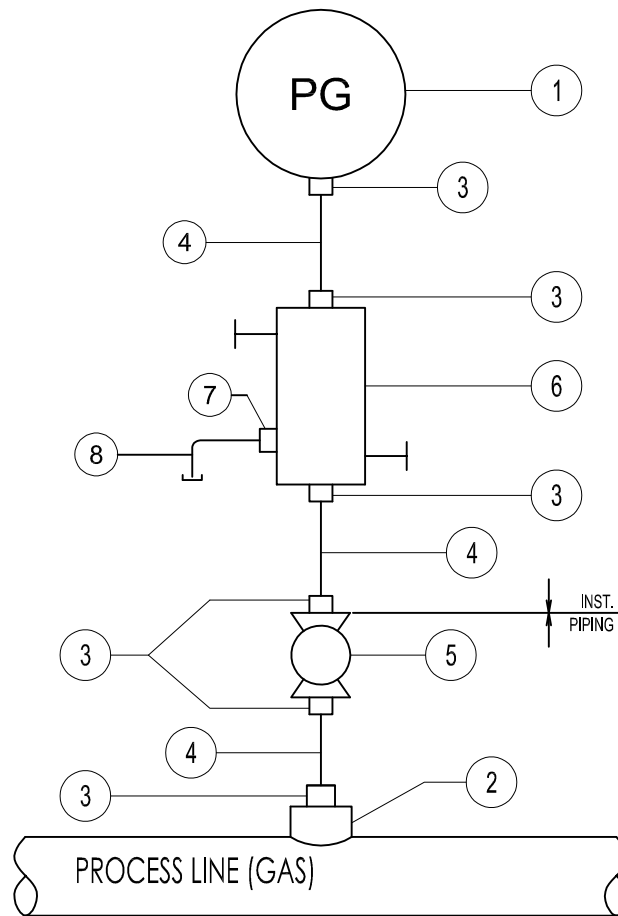
SUBJECT		INSTRUMENT HOOK UP DRAWING FOR NITROGEN COMPRESSOR		DATE	07-12-2020	THIS DRAWING IS OWNED BY AIRPACK AND SHALL NOT BE PRINTED OR COPIED IN ANY OTHER WAY THAN WITH AIRPACKS PERMISSION	05	09-06-2022	KP
CLIENT		Bushehr Petrochemical Company (BUPC)		DRAWN BY	WZ		04	07-05-2022	KP
CLIENT REF		17811		CHECKED BY	KP		03	05-04-2022	VZ
AIRPACK REF		17811-COM		PLANT LOCATION	IRAN, DNSHORE		02	11-02-2022	VZ
				SCALE	-	01	15-11-2021	VZ	
				DRAWING NO.	17811-38	00	07-12-2020	VZ	
MODIFICATIONS						SHEET		01/12	

BILL OF MATERIALS				
ITEM NO:	DESCRIPTION	MATERIAL	Q'TY	
1	PRESSURE GAUGE	SS316	1	
2	PROCESS CONNECTION 1/2" NPT-F	SS316	1	
3	CONNECTOR DOUBLE COMPRESSION TYPE 1/2" NPT-M - 1/4" OD	SS316	6	
4	TUBING 1/4" OD	SS316	-	
5	2-WAY BALL VALVE 1/2" NPT-F	SS316	1	
6	2-WAY BLOCK & BLEED MANIFOLD	SS316	1	
7	CONNECTOR DOUBLE COMPRESSION TYPE 1/4" NPT-F - 1/4" OD	SS316	1	
8	TUBING 1/4" OD WITH CAP	SS316	-	

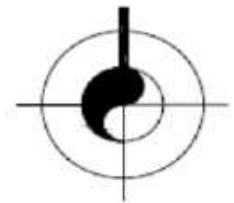
TAG NO: PG-10152 / PG-10155 / PG-10161


NO. OF INSTALLATIONS: 3

PRESSURE GAUGE



Nozzle Tap (GAS)



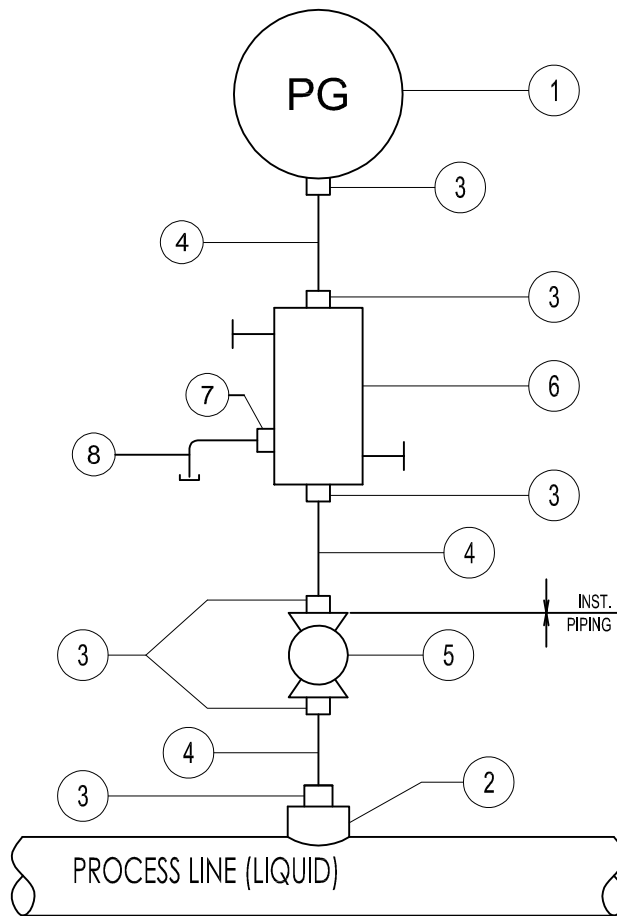
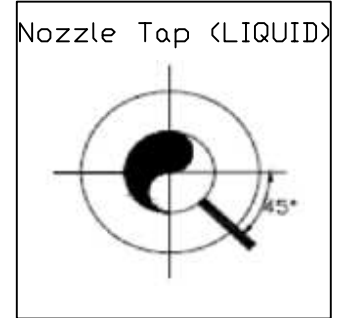
	SUBJECT		INSTRUMENT HOOK UP DRAWING FOR NITROGEN COMPRESSOR	DATE	07-12-2020	THIS DRAWING IS OWNED BY AIRPACK AND SHALL NOT BE PRINTED OR COPIED IN ANY OTHER WAY THAN WITH AIRPACKS PERMISSION	05	09-06-2022	KP
	CLIENT		Bushehr Petrochemical Company (BUPC)	DRAWN BY	WZ		04	07-05-2022	KP
	CLIENT REF		17811	CHECKED BY	KP		03	05-04-2022	VZ
	AIRPACK REF		17811-COM	PLANT LOCATION	IRAN, DNSHORE		02	11-02-2022	VZ
				SCALE	-		01	15-11-2021	VZ
			DRAWING NO.	17811-38	MODIFICATIONS	00	07-12-2020	VZ	
							SHEET	02/12	


BILL OF MATERIALS				
ITEM NO:	DESCRIPTION	MATERIAL	Q'TY	
1	PRESSURE GAUGE	SS316	1	
2	PROCESS CONNECTION 1/2" NPT-F	SS316	1	
3	CONNECTOR DOUBLE COMPRESSION TYPE 1/2" NPT-M - 1/4" OD	SS316	6	
4	TUBING 1/4" OD	SS316	-	
5	2-WAY BALL VALVE 1/2" NPT-F	SS316	1	
6	2-WAY BLOCK & BLEED MANIFOLD	SS316	1	
7	CONNECTOR DOUBLE COMPRESSION TYPE 1/4" NPT-F - 1/4" OD	SS316	1	
8	TUBING 1/4" OD WITH CAP	SS316	-	

TAG NO: PG-10160

NO. OF INSTALLATIONS: 1

PRESSURE GAUGE



	SUBJECT		INSTRUMENT HOOK UP DRAWING FOR NITROGEN COMPRESSOR		DATE	07-12-2020	THIS DRAWING IS OWNED BY AIRPACK AND SHALL NOT BE PRINTED OR COPIED IN ANY OTHER WAY THAN WITH AIRPACKS PERMISSION	05	09-06-2022	KP
	CLIENT		Bushehr Petrochemical Company (BUPC)		DRAWN BY	WZ		04	07-05-2022	KP
	CLIENT REF		17811		CHECKED BY	KP		03	05-04-2022	VZ
	AIRPACK REF		17811-COM		PLANT LOCATION	IRAN, DNSHORE		02	11-02-2022	VZ
					SCALE	-		01	15-11-2021	VZ
				DRAWING NO.	17811-38	00	07-12-2020	VZ		
				MODIFICATIONS		SHEET		03/12		

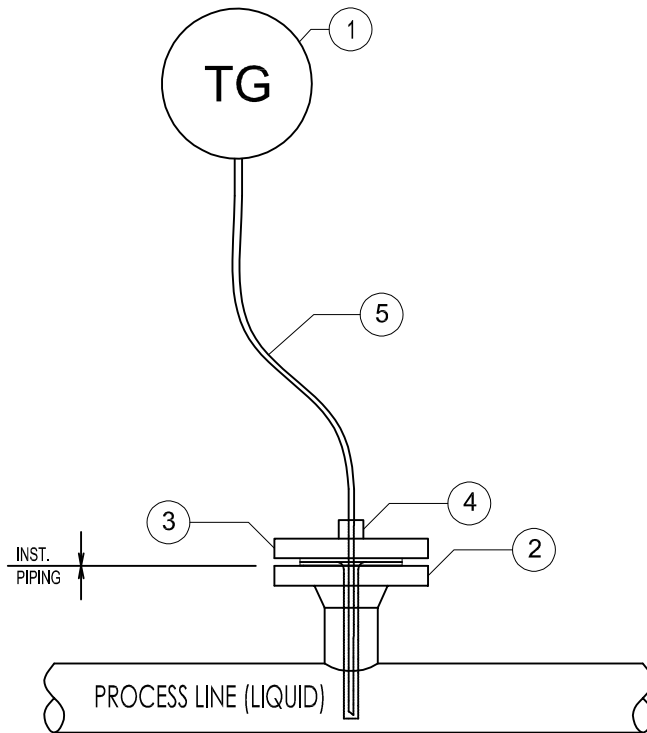
BILL OF MATERIALS


ITEM NO:	DESCRIPTION	MATERIAL	Q'TY
1	TEMPERATURE GAUGE	SS316	1
2	PROCESS CONNECTION 1 1/2" ANSI 300# RF	SS316	1
3	THERMOWELL 1 1/2" ANSI 300# RF	SS316	1
4	CONNECTOR DOUBLE COMPRESSION FITTING 1/2" NPT-M - 6 MM OD	SS316	1
5	CAPILARY, L=5M MOULDED TO TEMPERATURE ELEMENT	SS316	1

TAG NO: TG-10156 / TG-10157 / TG-10158

NO. OF INSTALLATIONS: 3

TEMPERATURE GAUGE



	SUBJECT		INSTRUMENT HOOK UP DRAWING FOR NITROGEN COMPRESSOR	DATE	07-12-2020	THIS DRAWING IS OWNED BY AIRPACK AND SHALL NOT BE PRINTED OR COPIED IN ANY OTHER WAY THAN WITH AIRPACKS PERMISSION	05	09-06-2022	KP	
	CLIENT		Bushehr Petrochemical Company (BUPC)	DRAWN BY	WZ		04	07-05-2022	KP	
	CLIENT REF		17811	CHECKED BY	KP		03	05-04-2022	VZ	
	AIRPACK REF		17811-COM	PLANT LOCATION	IRAN, DNSHORE		02	11-02-2022	VZ	
				SCALE	-		01	15-11-2021	VZ	
			DRAWING NO.	17811-38	MODIFICATIONS	00	07-12-2020	VZ	SHEET	04/12

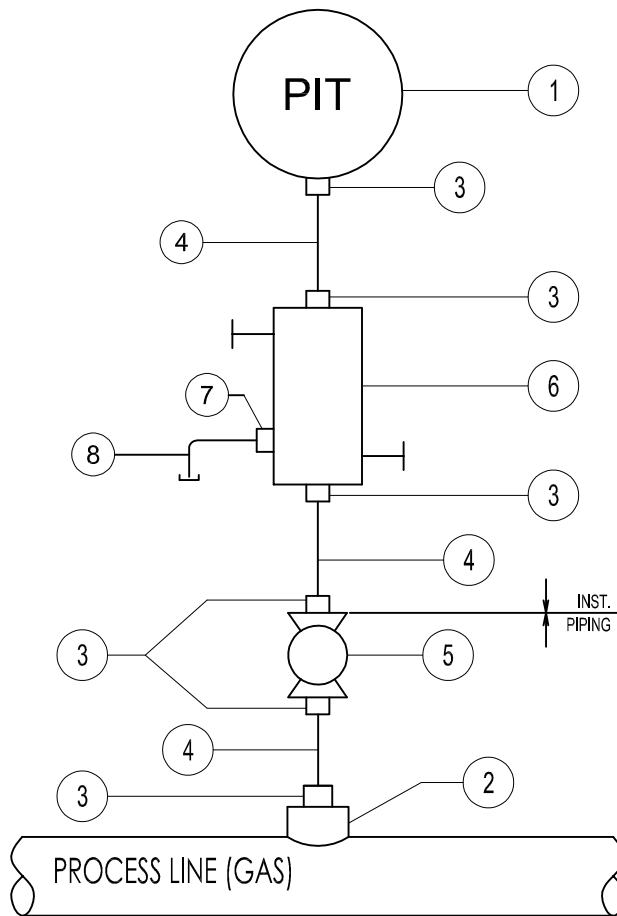
BILL OF MATERIALS				
ITEM NO:	DESCRIPTION	MATERIAL	Q'TY	
1	PRESSURE TRANSMITTER	ALUMINIUM	1	
2	PROCESS CONNECTION 1/2" NPT-F	SS316	1	
3	CONNECTOR DOUBLE COMPRESSION TYPE 1/2" NPT-M - 1/4" OD	SS316	6	
4	TUBING 1/4" OD	SS316	-	
5	2-WAY BALL VALVE 1/2" NPT-F	SS316	1	
6	2-WAY BLOCK & BLEED MANIFOLD	SS316	1	
7	CONNECTOR DOUBLE COMPRESSION TYPE 1/4" NPT-F - 1/4" OD	SS316	1	
8	TUBING 1/4" OD WITH CAP	SS316	-	

TAG NO: PIT-10153 / PIT-10156 / PIT-10157 / PIT-10158 / PIT-10159

NO. OF INSTALLATIONS: 5

PRESSURE TRANSMITTER

Nozzle Tap (GAS)



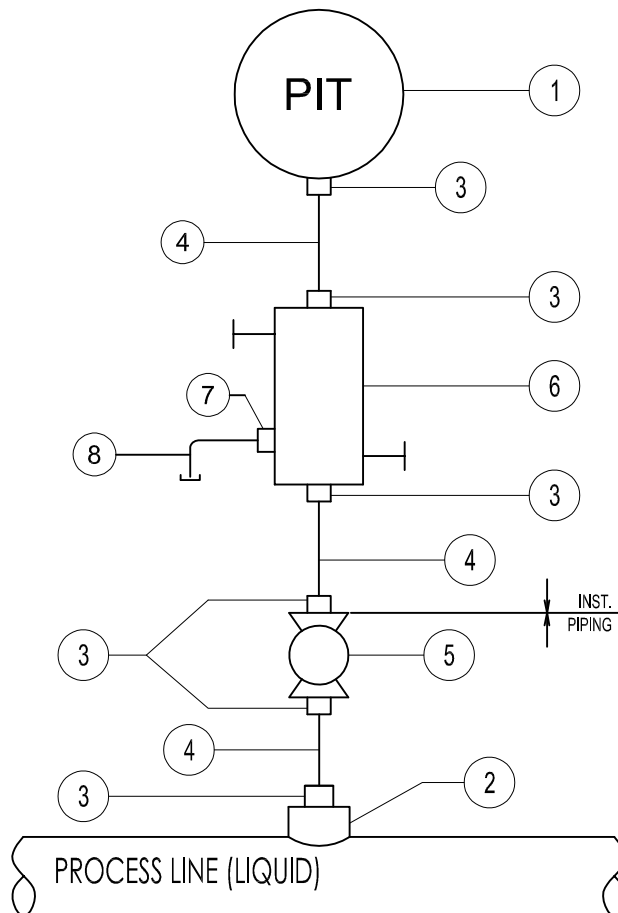
	SUBJECT		INSTRUMENT HOOK UP DRAWING FOR NITROGEN COMPRESSOR	DATE	07-12-2020	THIS DRAWING IS OWNED BY AIRPACK AND SHALL NOT BE PRINTED OR COPIED IN ANY OTHER WAY THAN WITH AIRPACKS PERMISSION	05	09-06-2022	KP
	CLIENT		Bushehr Petrochemical Company (BUPC)	DRAWN BY	WZ		04	07-05-2022	KP
	CLIENT REF		17811	CHECKED BY	KP		03	05-04-2022	VZ
	AIRPACK REF		17811-COM	PLANT LOCATION	IRAN, DNSHORE		02	11-02-2022	VZ
				SCALE	-		01	15-11-2021	VZ
			DRAWING NO.	17811-38	MODIFICATIONS	00	07-12-2020	VZ	
							SHEET	05/12	

BILL OF MATERIALS				
ITEM NO:	DESCRIPTION	MATERIAL	Q'TY	
1	PRESSURE TRANSMITTER	ALUMINIUM	1	
2	PROCESS CONNECTION 1/2" NPT-F	SS316	1	
3	CONNECTOR DOUBLE COMPRESSION TYPE 1/2" NPT-M - 1/4" OD	SS316	6	
4	TUBING 1/4" OD	SS316	-	
5	2-WAY BALL VALVE 1/2" NPT-F	SS316	1	
6	2-WAY BLOCK & BLEED MANIFOLD	SS316	1	
7	CONNECTOR DOUBLE COMPRESSION TYPE 1/4" NPT-F - 1/4" OD	SS316	1	
8	TUBING 1/4" OD WITH CAP	SS316	-	

TAG NO: PIT-10154

NO. OF INSTALLATIONS: 1

PRESSURE TRANSMITTER



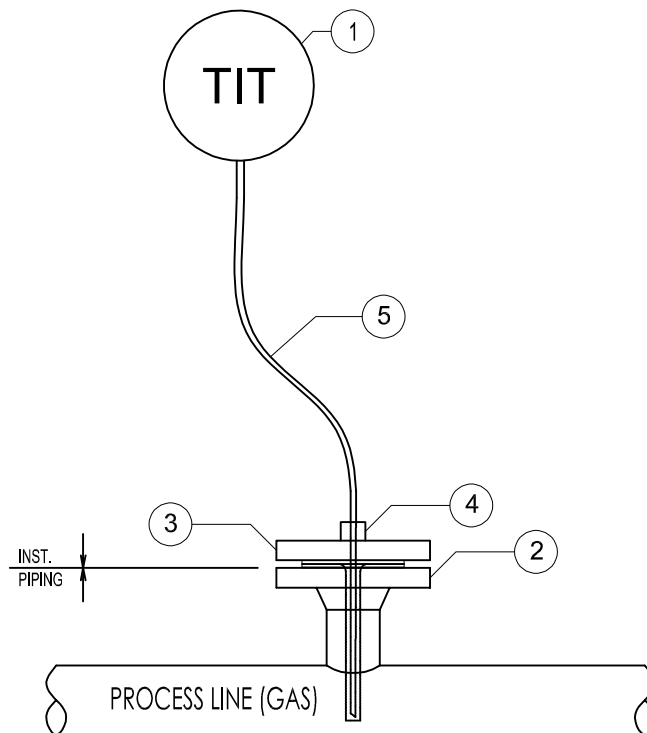
SUBJECT		INSTRUMENT HOOK UP DRAWING FOR NITROGEN COMPRESSOR		DATE	07-12-2020	THIS DRAWING IS OWNED BY AIRPACK AND SHALL NOT BE PRINTED OR COPIED IN ANY OTHER WAY THAN WITH AIRPACKS PERMISSION	05	09-06-2022	KP
CLIENT		Bushehr Petrochemical Company (BUPC)		DRAWN BY	WZ		04	07-05-2022	KP
CLIENT REF		17811		CHECKED BY	KP		03	05-04-2022	VZ
AIRPACK REF		17811-COM		PLANT LOCATION	IRAN, DNSHORE		02	11-02-2022	VZ
				SCALE	-	01	15-11-2021	VZ	
				DRAWING NO.	17811-38	00	07-12-2020	VZ	
				MODIFICATIONS		SHEET		06/12	


BILL OF MATERIALS				
ITEM NO:	DESCRIPTION	MATERIAL	Q'TY	
1	TEMPERATURE TRANSMITTER	ALUMINIUM	1	
2	PROCESS CONNECTION 1 1/2" ANSI 300# RF	SS316	1	
3	THERMOWELL 1 1/2" ANSI 300# RF	SS316	1	
4	CONNECTOR DOUBLE COMPRESSION FITTING 1/2" NPT-M - 6 MM OD	SS316	1	
5	CAPILARY, L=5M MOULDED TO TEMPERATURE ELEMENT	SS316	1	

TAG NO: TIT-10151 / TIT-10152 / TIT-10153 / TIT-10154 / TIT-10155

NO. OF INSTALLATIONS: 5

TEMPERATURE TRANSMITTER



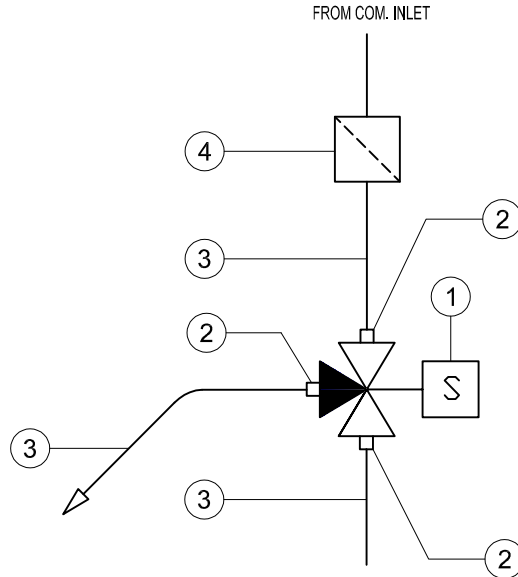
	SUBJECT		INSTRUMENT HOOK UP DRAWING FOR NITROGEN COMPRESSOR	DATE	07-12-2020	THIS DRAWING IS OWNED BY AIRPACK AND SHALL NOT BE PRINTED OR COPIED IN ANY OTHER WAY THAN WITH AIRPACKS PERMISSION	05	09-06-2022	KP
	CLIENT		Bushehr Petrochemical Company (BUPC)	DRAWN BY	WZ		04	07-05-2022	KP
	CLIENT REF		17811	CHECKED BY	KP		03	05-04-2022	VZ
	AIRPACK REF		17811-COM	PLANT LOCATION	IRAN, DNSHORE		02	11-02-2022	VZ
	DRAWING NO.		17811-38	SCALE	-		01	15-11-2021	VZ
MODIFICATIONS					00	07-12-2020	VZ	SHEET	07/12


BILL OF MATERIALS				
ITEM NO:	DESCRIPTION	MATERIAL	Q'TY	
1	3-WAY SOLENOID VALVE	SS 316	1	
2	CONNECTOR DOUBLE COMPRESSION TYPE 1/4" NPT-M - 1/4" OD	SS 316	3	
3	TUBING 1/4" OD	SS 316	-	
4	AIR INLET FILTER/REGULATOR	SS 316	1	

TAG NO: XY-10151

NO. OF INSTALLATIONS: 1

SOLENOID VALVE



	SUBJECT		INSTRUMENT HOOK UP DRAWING FOR NITROGEN COMPRESSOR		DATE	07-12-2020	THIS DRAWING IS OWNED BY AIRPACK AND SHALL NOT BE PRINTED OR COPIED IN ANY OTHER WAY THAN WITH AIRPACKS PERMISSION	05	09-06-2022	KP
	CLIENT		Bushehr Petrochemical Company (BUPC)		DRAWN BY	WZ		04	07-05-2022	KP
	CLIENT REF		17811		CHECKED BY	KP		03	05-04-2022	VZ
	AIRPACK REF		17811-COM		PLANT LOCATION	IRAN, DNSHORE		02	11-02-2022	VZ
				SCALE	-	01	15-11-2021	VZ		
				DRAWING NO.	17811-38	MODIFICATIONS		SHEET	09/12	

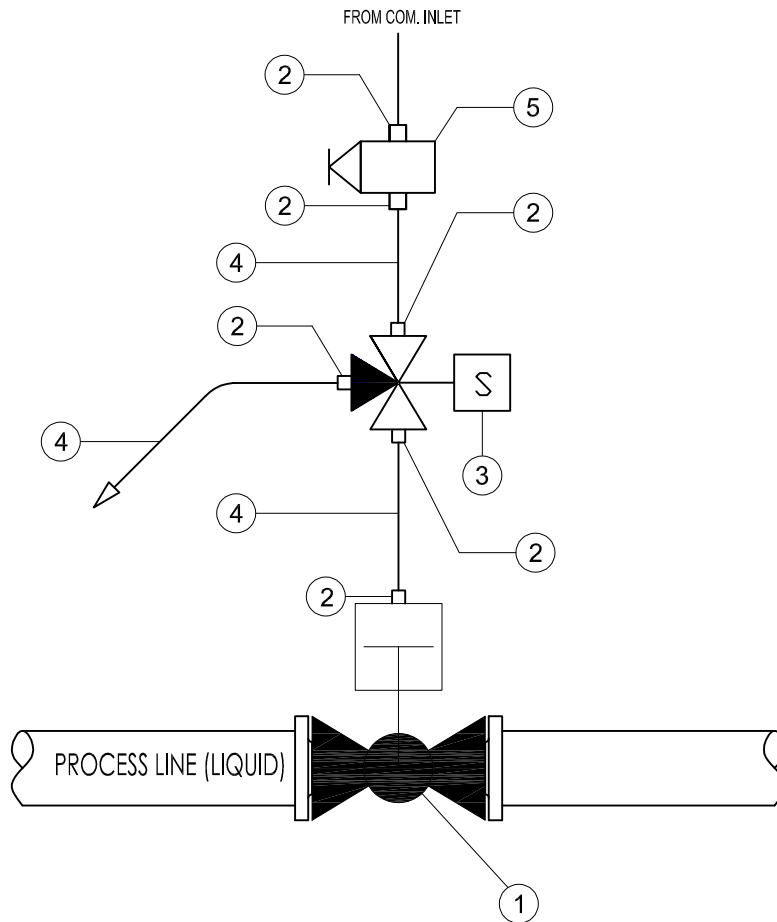
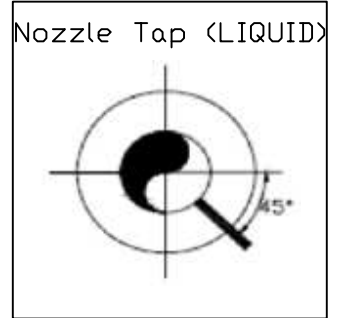
BILL OF MATERIALS

ITEM NO:	DESCRIPTION	MATERIAL	Q'TY
1	2-WAY BALL VALVE 1 1/2" ANSI 150# RF	SS 316	1
2	CONNECTOR DOUBLE COMPRESSION TYPE 1/4" NPT-M - 1/4" OD	SS 316	6
3	3-WAY SOLENOID VALVE	SS 316	1
4	TUBING 1/4" OD	SS 316	-
5	FILTER REGULATOR	SS316	1

TAG NO: XV-10152
XY-10152

NO. OF INSTALLATIONS: 1

PNEUMATIC OPERATED BALL VALVE



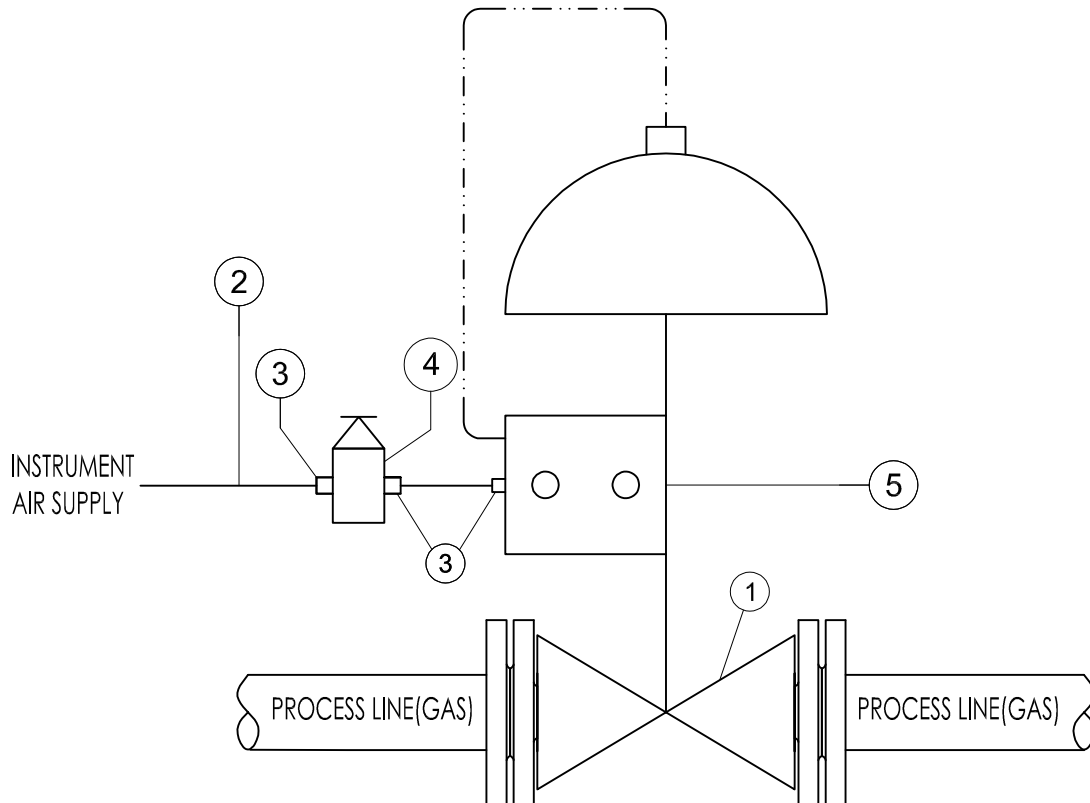
SUBJECT		INSTRUMENT HOOK UP DRAWING FOR NITROGEN COMPRESSOR		DATE	07-12-2020	THIS DRAWING IS OWNED BY AIRPACK AND SHALL NOT BE PRINTED OR COPIED IN ANY OTHER WAY THAN WITH AIRPACKS PERMISSION	05	09-06-2022	KP
CLIENT		Bushehr Petrochemical Company (BUPC)		DRAWN BY	WZ		04	07-05-2022	KP
CLIENT REF		17811		CHECKED BY	KP		03	05-04-2022	VZ
AIRPACK REF		17811-COM		PLANT LOCATION	IRAN, DNSHORE		02	11-02-2022	VZ
				SCALE	-	01	15-11-2021	VZ	
				DRAWING NO.	17811-38	00	07-12-2020	VZ	
				MODIFICATIONS		SHEET		10/12	


BILL OF MATERIALS				
ITEM NO:	DESCRIPTION	MATERIAL	Q'TY	
1	PRESSURE RECYCLE VALVE 1" ANSI 300# RF	SS316	1	
2	TUBING 1/4" OD	SS316	-	
3	CONNECTOR DOUBLE COMPRESSION TYPE 1/4" NPT-M x 1/4" OD	SS316	3	
4	FILTER REGULATOR	SS316	1	
5	VALVE POSITIONER WITH INLET AND OUTLET GAUGE	SS316	1	

TAG NO: PV-10151

NO. OF INSTALLATIONS: 1

PRESSURE RECYCLE VALVE



	SUBJECT		INSTRUMENT HOOK UP DRAWING FOR NITROGEN COMPRESSOR	DATE	07-12-2020	THIS DRAWING IS OWNED BY AIRPACK AND SHALL NOT BE PRINTED OR COPIED IN ANY OTHER WAY THAN WITH AIRPACKS PERMISSION	05	09-06-2022	KP	
	CLIENT		Bushehr Petrochemical Company (BUPC)	DRAWN BY	WZ		04	07-05-2022	KP	
	CLIENT REF		17811	CHECKED BY	KP		03	05-04-2022	VZ	
	AIRPACK REF		17811-COM	PLANT LOCATION	IRAN, DNSHORE		02	11-02-2022	VZ	
				SCALE	-		01	15-11-2021	VZ	
			DRAWING NO.	17811-38	00	07-12-2020	VZ	MODIFICATIONS	SHEET	11/12

