



LIDCO, Pars SEE Zone, Assaluyeh,
Integrated Methanol and Ammonia
Plant 3000 MTPD MeOH / 900 MTPD NH3 PROJECT



Instrument Hook-up Drawing

Document No. 17735-38

Page

Project No.	Vendor Doc.	P.O. No.	Department	Document Type	Serial No	Revision	Page
N278	VD	6019	IN	DWG	0035	01	Page 1 of 9

**Airpack B.V. - Air Compressor –
Integrated Methanol and Ammonia Plant
17735-COM Instrument Hook-up Drawing (K020)**

code-2
M. Vakili

REV.	DATE	DESCRIPTION	DRAWN	CHECKED	APPROVED
01	07-12-2023	Issued for Approval	A.Z.	S.K.	J.J.

This document has been produced by Contractor for LIDCO. It is confidential and cannot be disclosed to or used by any third party for any purpose without prior written consent.

Instrument Hook-up Drawing

Document No. 17735-38

Page

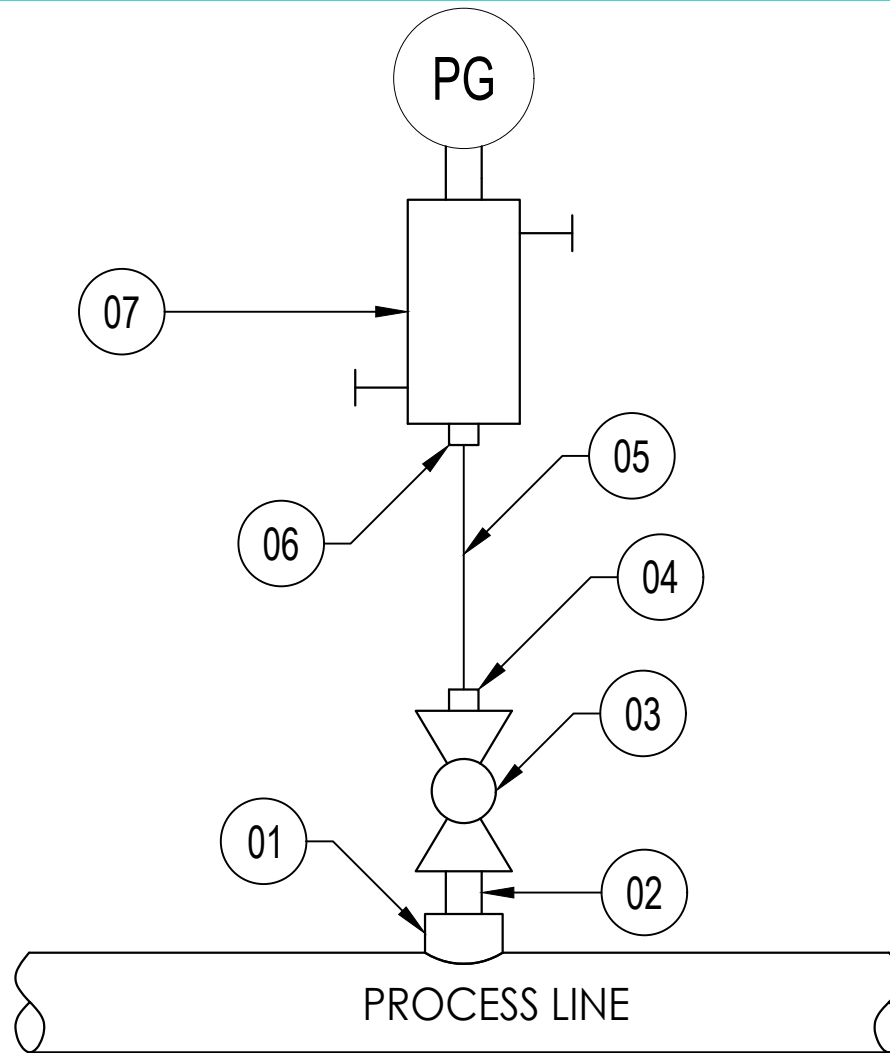
Project No.	Vendor Doc.	P.O. No.	Department	Document Type	Serial No	Revision	Page
N278	VD	6019	IN	DWG	0035	01	Page 2 of 9

LIST OF REVISED PAGES

Rev. Page	01	02	03	04	05	Rev. Page	01	02	03	04	05	Rev. Page	01	02	03	04	05	Rev. Page	01	02	03	04	05
1	X					26						51						76					
2	X					27						52						77					
3	X					28						53						78					
4	X					29						54						79					
5	X					30						55						80					
6	X					31						56						81					
7	X					32						57						82					
8	X					33						58						83					
9	X					34						59						84					
10						35						60						85					
11						36						61						86					
12						37						62						87					
13						38						63						88					
14						39						64						89					
15						40						65						90					
16						41						66						91					
17						42						67						92					
18						43						68						ATTACHMENT					
19						44						69						1					
20						45						70						2					
21						46						71						3					
22						47						72						4					
23						48						73						5					
24						49						74						6					
25						50						75						7					

PRESSURE GAUGE

- Any changes in next revision to be marked with revision mark.
- If any comments is not applicable please send reply sheet.
- Compatibility with other vendor documents including mechanical part document, data sheet, and purchased instrument is vendor responsibility and scope.
- This document will be checked again after finalizing PID, and datasheet document.
- Reference document should be mentioned.
- All Tag name in all documents should be same format. no needs "-" after prefix 320. example correct format is 320TT-8203,
- All required accessories should be supplied by vendor.



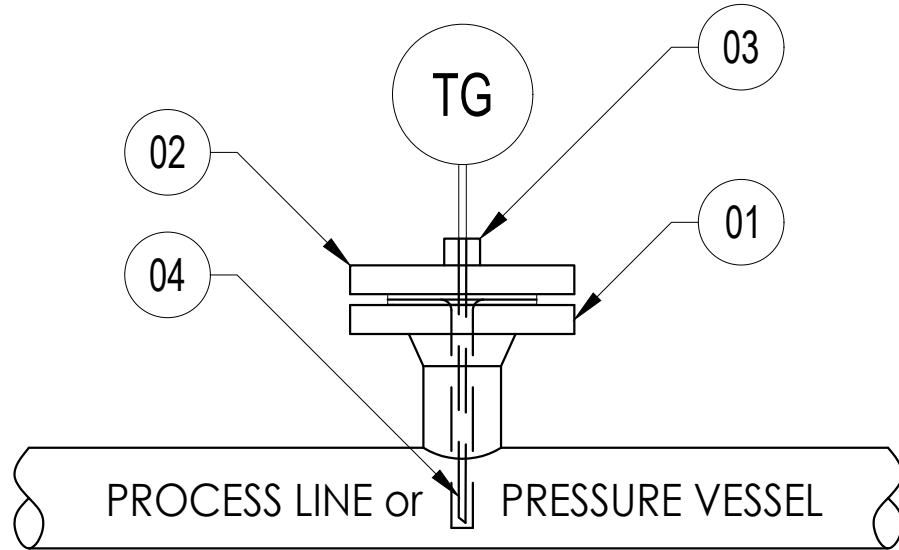
ITEM	QTY	DESCRIPTION	SIZE	MATERIAL
01	01	PROCESS CONNECTION	3/4" NPT	SS316
02	01	HEX NIPPLE	3/4" NPT	SS316
03	01	BALL VALVE	3/4" NPT-F	SS316
04	01	CONNECTOR DOUBLE COMPRESSION TYPE	3/4"NPT-M-12mmOD	SS316
05	-	TUBING	12mmOD	SS316
06	01	CONNECTOR DOUBLE COMPRESSION TYPE	1/2"NPT-M-12mmOD	SS316
07	01	2-WAY BLOCK & BLEED MANIFOLD	1/2" NPT-F x 1/2" NPT-F	SS316
08				
09				

TAGNUMBERS:

320-PG-8201, 320-PG-8202, 320-PG-8203, 320-PG-8204

	SUBJECT		DATE		THIS DRAWING IS OWNED BY AIRPACK AND SHALL NOT BE PRINTED OR COPIED IN ANY OTHER WAY THAN WITH AIRPACKS PERMISSION				
	HOOKUP PRESSURE GAUGE		07-12-2023						
			DRAWN BY			AZ			
			CHECKED BY			SK			
	CLIENT		LAVAN INDUSTRY			PLANT LOCATION	IRAN ONSHORE		
CLIENT REF		Integrated Methanol and Ammonia Plant		DRAWING NO.	17735-38				
AIRPACK REF		17735-COM		SHEETNO.	1				
						01	07-12-2023	AZ	

TEMPERATURE GAUGE LOCALLY MOUNTED



320TG-8206 is not existing in PID.

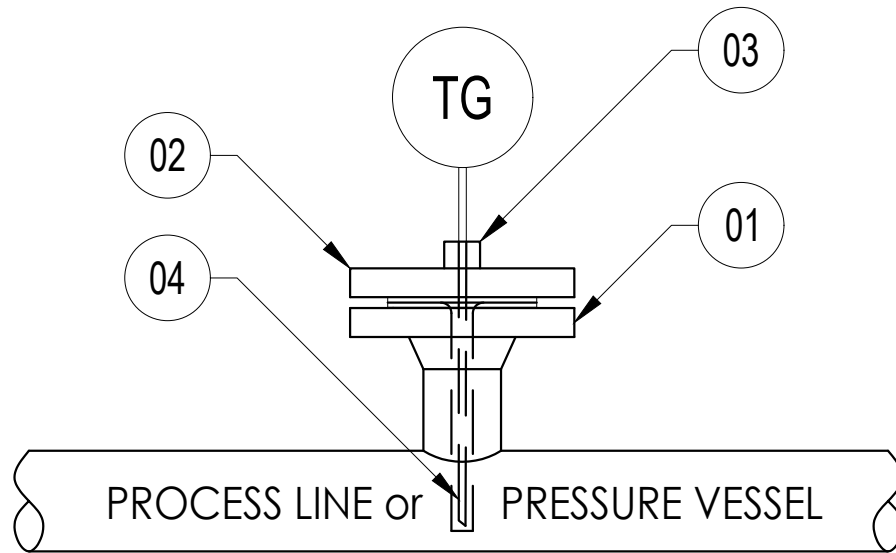
ITEM	QTY	DESCRIPTION	SIZE	MATERIAL
01	01	PROCESS CONNECTION	1 1/2" ANSI 300# RF	SS316
02	01	THERMOWELL	1 1/2" ANSI 300# RF	SS316
03	01	CONNECTOR DOUBLE COMPRESSION FITTING	3/4"NPT-M - 6mm OD	SS316
04	01	TEMPERATURE ELEMENT	N.A.	SS316
05				
06				
07				
08				
09				

TAGNUMBERS:

320-TG-8201, 320-TG-8204, 320-TG-8205, ~~320-TG-8206~~

	SUBJECT		DATE		THIS DRAWING IS OWNED BY AIRPACK AND SHALL NOT BE PRINTED OR COPIED IN ANY OTHER WAY THAN WITH AIRPACKS PERMISSION				
	HOOKUP TEMPERATURE GAUGE		07-12-2023						
			DRAWN BY			AZ			
			CHECKED BY			SK			
	CLIENT		LAVAN INDUSTRY			PLANT LOCATION	IRAN ONSHORE		
CLIENT REF		Integrated Methanol and Ammonia Plant		DRAWING NO.	17735-38				
AIRPACK REF		17735-COM		SHEETNO.	2				
						01	07-12-2023	AZ	


TEMPERATURE GAUGE LOCALLY MOUNTED



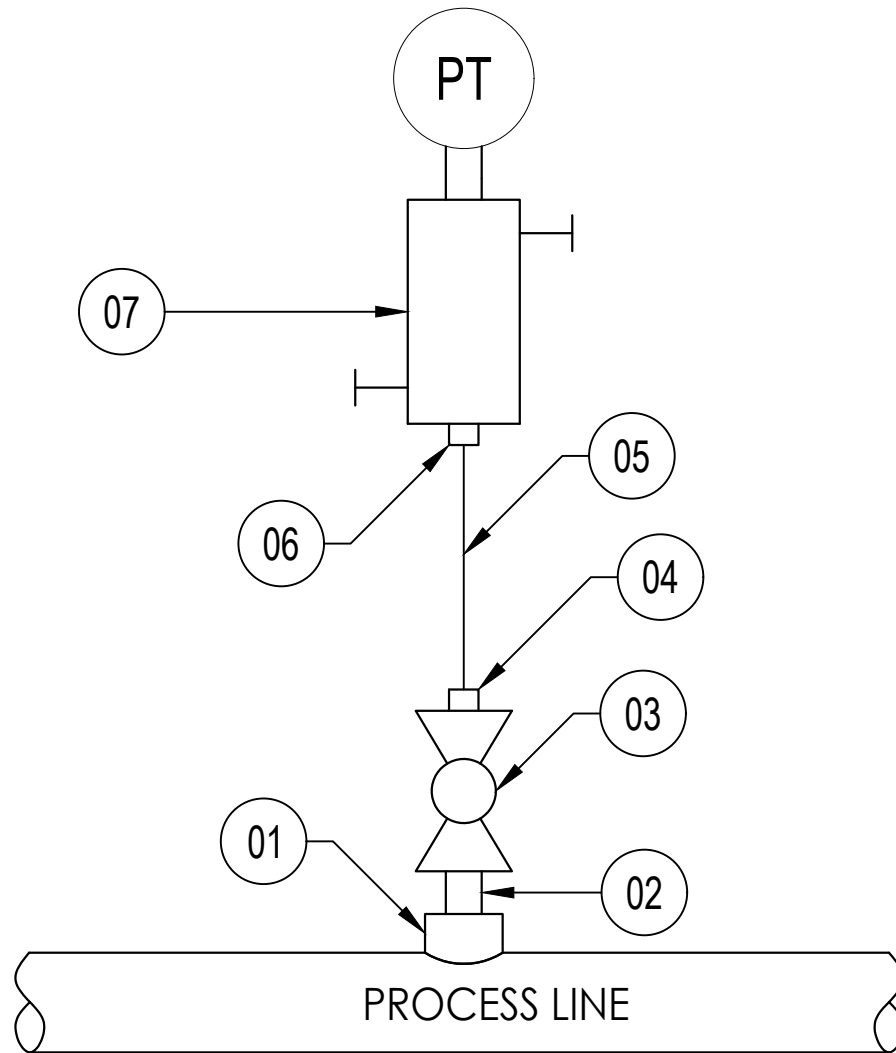
ITEM	QTY	DESCRIPTION	SIZE	MATERIAL
01	01	PROCESS CONNECTION	1 1/2" ANSI 600# RF	SS316
02	01	THERMOWELL	1 1/2" ANSI 600# RF	SS316
03	01	CONNECTOR DOUBLE COMPRESSION FITTING	3/4"NPT-M - 6mm OD	SS316
04	01	TEMPERATURE ELEMENT	N.A.	SS316
05				
06				
07				
08				
09				

TAGNUMBERS:

320-TG-8202, 320-TG-8203

	SUBJECT		HOOKUP TEMPERATURE GAUGE		DATE	07-12-2023	THIS DRAWING IS OWNED BY AIRPACK AND SHALL NOT BE PRINTED OR COPIED IN ANY OTHER WAY THAN WITH AIRPACKS PERMISSION				
					DRAWN BY	AZ					
					CHECKED BY	SK					
	CLIENT	LAVAN INDUSTRY		PLANT LOCATION	IRAN ONSHORE						
	CLIENT REF	Integrated Methanol and Ammonia Plant		DRAWING NO.	17735-38						
AIRPACK REF	17735-COM		SHEETNO.	3					01	07-12-2023	AZ


PRESSURE TRANSMITTER



ITEM	QTY	DESCRIPTION	SIZE	MATERIAL
01	01	PROCESS CONNECTION	3/4" NPT	SS316
02	01	HEX NIPPLE	3/4" NPT	SS316
03	01	BALL VALVE	3/4" NPT-F	SS316
04	01	CONNECTOR DOUBLE COMPRESSION TYPE	3/4"NPT-M-12mmOD	SS316
05	-	TUBING	12mmOD	SS316
06	01	CONNECTOR DOUBLE COMPRESSION TYPE	1/2"NPT-M-12mmOD	SS316
07	01	2-WAY BLOCK & BLEED MANIFOLD	1/2" NPT-F x 1/2" NPT-F	SS316
08				
09				

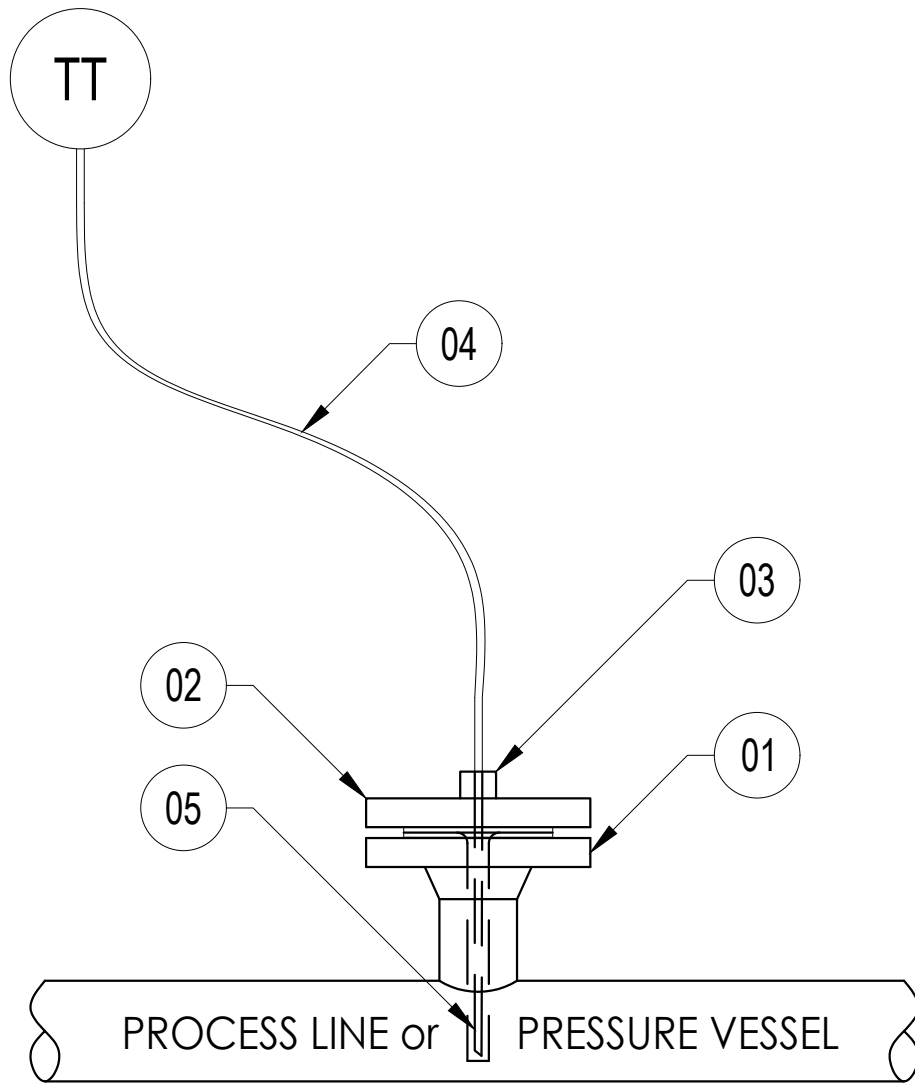
TAGNUMBERS:

320-PT-8201, 320-PT-8202, 320-PT-8203, 320-PT-8204

	SUBJECT		DATE		THIS DRAWING IS OWNED BY AIRPACK AND SHALL NOT BE PRINTED OR COPIED IN ANY OTHER WAY THAN WITH AIRPACKS PERMISSION	
	HOOKUP PRESSURE TRANSMITTER		07-12-2023			
			DRAWN BY			AZ
			CHECKED BY			SK
	CLIENT		LAVAN INDUSTRY			PLANT LOCATION
CLIENT REF		Integrated Methanol and Ammonia Plant		DRAWING NO.		17735-38
AIRPACK REF		17735-COM		SHEETNO.		4
				01	07-12-2023	AZ

TEMPERATURE TRANSMITTER REMOTE MOUNTED

Plz clarify why Capillary is used for TT ?.it has discrepancy with data sheet.



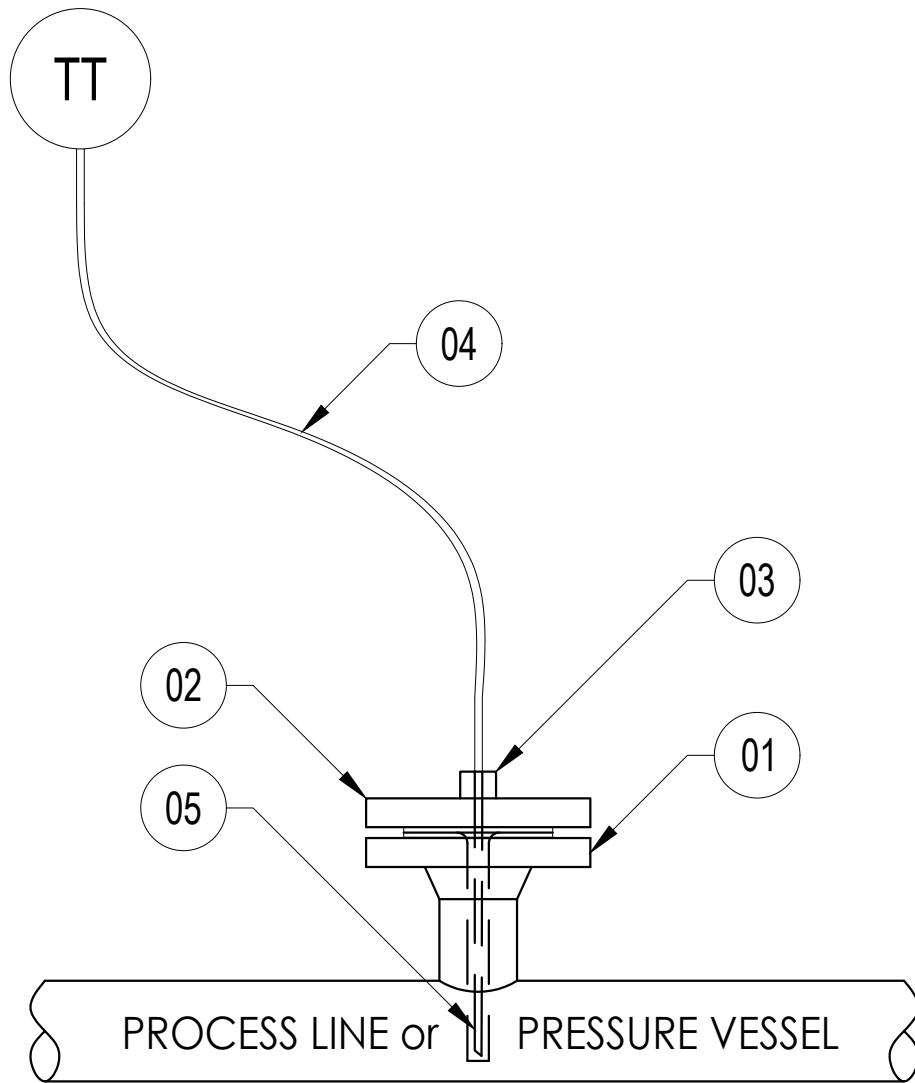
ITEM	QTY	DESCRIPTION	SIZE	MATERIAL
01	01	PROCESS CONNECTION	1 1/2" ANSI 300# RF	SS316
02	01	THERMOWELL	1 1/2" ANSI 300# RF	SS316
03	01	CONNECTOR DOUBLE COMPRESSION FITTING	3/4"NPT-M - 6mm OD	SS316
04	01	CAPILLARY, MOULDED TO TEMPERATURE ELEMENT	L=5m	SS316
05	01	TEMPERATURE ELEMENT	N.A.	SS316
06				
07				
08				
09				

TAGNUMBERS:

320-TT-8201, 320-TT-8205

	SUBJECT	DATE	07-12-2023	THIS DRAWING IS OWNED BY AIRPACK AND SHALL NOT BE PRINTED OR COPIED IN ANY OTHER WAY THAN WITH AIRPACKS PERMISSION				
		HOOKUP TEMPERATURE TRANSMITTER	DRAWN BY		AZ			
			CHECKED BY		SK			
	CLIENT	LAVAN INDUSTRY	PLANT LOCATION		IRAN ONSHORE			
	CLIENT REF	Integrated Methanol and Ammonia Plant	DRAWING NO.		17735-38			
AIRPACK REF	17735-COM	SHEETNO.	5					
					01	07-12-2023	AZ	

TEMPERATURE TRANSMITTER REMOTE MOUNTED



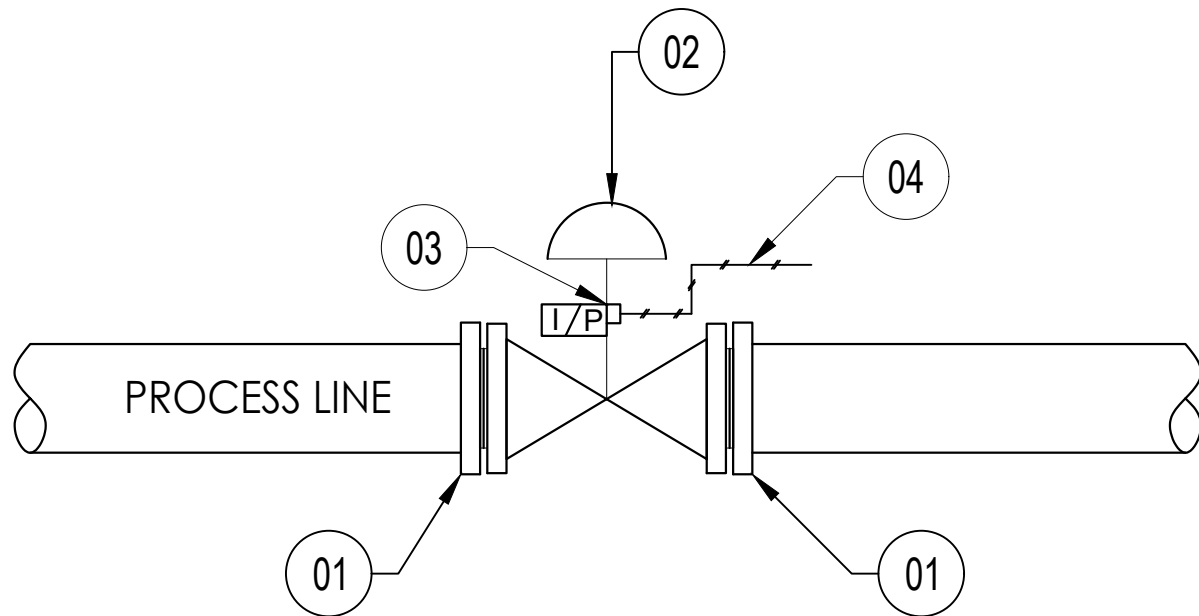
ITEM	QTY	DESCRIPTION	SIZE	MATERIAL
01	01	PROCESS CONNECTION	1 1/2" ANSI 600# RF	SS316
02	01	THERMOWELL	1 1/2" ANSI 600# RF	SS316
03	01	CONNECTOR DOUBLE COMPRESSION FITTING	3/4"NPT-M - 6mm OD	SS316
04	01	CAPILLARY, MOULDED TO TEMPERATURE ELEMENT	L=5m	SS316
05	01	TEMPERATURE ELEMENT	N.A.	SS316
06				
07				
08				
09				

TAGNUMBERS:

320-TT-8202, 320-TT-8203, 320-TT-8204


	SUBJECT		HOOKUP		DATE	07-12-2023	THIS DRAWING IS OWNED BY AIRPACK AND SHALL NOT BE PRINTED OR COPIED IN ANY OTHER WAY THAN WITH AIRPACKS PERMISSION				
			TEMPERATURE TRANSMITTER		DRAWN BY	AZ					
	CLIENT	LAVAN INDUSTRY		CHECKED BY	SK	PLANT LOCATION		IRAN ONSHORE			
	CLIENT REF	Integrated Methanol and Ammonia Plant		DRAWING NO.	17735-38						
	AIRPACK REF	17735-COM		SHEETNO.	6						
								01	07-12-2023	AZ	

PRESSURE BYPASS (RECYCLE) VALVE



ITEM	QTY	DESCRIPTION	SIZE	MATERIAL
01	02	PROCESS CONNECTION	3/4" ANSI 300# RF	SS316
02	01	PRESSURE CONTROL VALVE	3/4"ANSI 300# RF	SS316
03	01	CONNECTOR DOUBLE COMPRESSION TYPE	1/4"NPT-M- 12mmOD	SS316
04	-	TUBING	12mmOD	SS316
05				
06				
07				
08				
09				

TAGNUMBERS:
320-PCV-8201

	SUBJECT		HOOKUP PRESSURE BYPASS (RECYCLE) VALVE		DATE	07-12-2023	THIS DRAWING IS OWNED BY AIRPACK AND SHALL NOT BE PRINTED OR COPIED IN ANY OTHER WAY THAN WITH AIRPACKS PERMISSION				
	CLIENT		LAVAN INDUSTRY		DRAWN BY	AZ					
	CLIENT REF		Integrated Methanol and Ammonia Plant		CHECKED BY	SK					
	AIRPACK REF		17735-COM		PLANT LOCATION	IRAN ONSHORE					
					DRAWING NO.	17735-38					
				SHEETNO.	7				01	07-12-2023	AZ