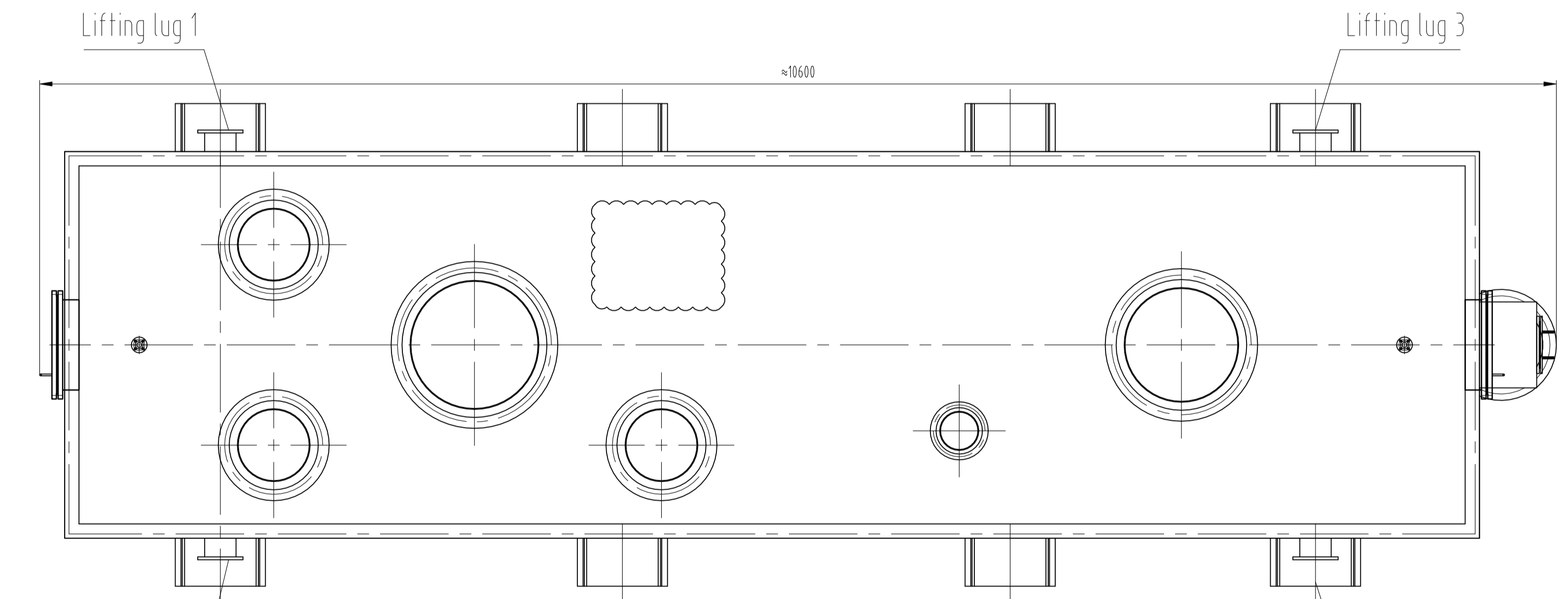


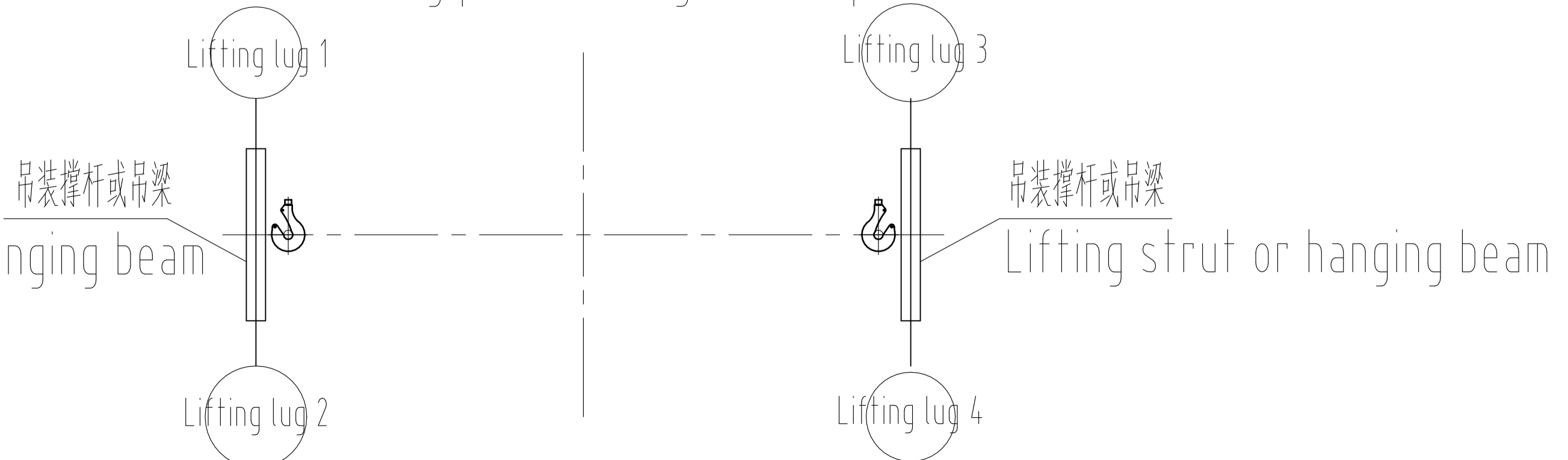
吊装撑杆或吊梁
Lifting strut or hanging beam

技术要求 Technical requirements

1. 设备通过吊装位置1、2和3、4分别竖直向上吊装。
1. The devices must be lifted vertically from lifting lug 1,2 and lifting lug 3,4.
2. 吊装时采用钢丝绳。
2. Wire rope is used for hoisting.
3. 设备净重量: 39.1吨 含包装及支腿总量: 41.1吨。
3. Net weight of equipment: 39.1t Total weight including package and outrigger: 41.1t.
4. 设备重量以竣工图为准。
4. The weight of equipment shall be subject to as-built drawing.
5. 每组换热器的最大吊装重量: 5000kg。
Maximum weight of each steam coil 5000kg.
6. 流化床共设置8组换热器。
6. The Fluidized bed dryer is set up with eight steam heat exchanger.



吊具起吊位置示意
Lifting position diagram of spreader



Code1	<input type="checkbox"/> Approval (Applicable only for "FOR APPROVAL" documents) Approved and the documents are released for manufacturing.
Code2	<input type="checkbox"/> Approved with Note(s) Vendor shall correct, revise and resubmit the document. The document is released for manufacturing if changes incorporated.
Code3	<input type="checkbox"/> Commented Vendor shall correct, revise and resubmit the document by the date specified. The document shall be released under the Status of "Revised issue". All corrected documents shall be resubmitted before starting the manufacturing process.
Code4	<input type="checkbox"/> Rejected Vendor shall correct, revise and resubmit the document with previous revision.
Code5	<input type="checkbox"/> No Code (Applicable only for "For Review" and As-Built documents) Document has been submitted for information (FI). Consistency, completeness and correctness of document content is Vendor's responsibility.

The above checking result by EIED shall in no way relieve Vendor of any liability, obligation and responsibility out of the purchase order and the mutual agreement in writing.

DATE: _____
DEPT: _____
Signature: _____

Only for internal review

CV	PI	EL	IN	ME	MA
ST	BU	PR	SA	HV	TL

16-Oct-24	Issue for Review				
DATE	POI	PREP.	CHKD.	APPD.	AUTH.
		Tabriz Petrochemical Company 310 KTPA HDPE Plant			
		CONTRACT NO.: _____ PURCHASE ORDER NO.: XXXX		SCALE: 1:40	

DRAWING TITLE: Fluidized Bed Dryer (16-DR-221) Lifting Drawing of Lower part for Fluid Bed Dryer Package Unit (16-PK-221)

DRAWING NO.:			
VENDOR DWG NO.:			
CLASS	REV.	SHEET NO.	SIZE
2	00	1 OF 1	A1