



**DEHDASHT PETROCHEMICAL INDUSTRY COMPANY**  
**DEHDASHT HIGH DENSITY POLYETHYLENE PROJECT**



<b>Contract No.: DPIC/98-12</b>	<b>DOCUMENT TITLE: Oil Pump Drawing</b>	<b>POI: IFA</b>	<b>Rev.: D0</b>
	<b>DOCUMENT No: DPIC9812-000-VD-1002-ME-DWG-0018</b>	<b>Sheet 1 of 4</b>	

# Oil Pump Drawing

**PURCHASER'S COMMENT/APPROVAL STATUS**

1						AP: Approved (Released for Manufacturing)						Purchaser: NARGAN					
2						AN: Approved With Minor Comments (Fabrication may Proceed)						Requisition No.: DPIC98-12-001-000-ME-MR-4150-0001-D1					
3						NF: Approved With Comments (Fabrication not Proceed)						Item No. (Tag No.): PK-6101					
4						RJ: Rejected						Vendor Doc. No.: DPIC9812-000-VD-1002-ME-DWG-0018					
5						NR: Not be Returned											
Date: XX.XX.XX						Signature:											
D0						22-Dec-21						IFA MY M.M A.V					
<b>REV.</b>		<b>DATE ISSUE</b>		<b>Purpose of Issue</b>		<b>PREPARED</b>		<b>CHECKED</b>		<b>APPROVED</b>							

This document is the property of DPIC Any unauthorized attempt to reproduce it, in any form, is strictly prohibited.



**DEHDASHT PETROCHEMICAL INDUSTRY COMPANY**  
**DEHDASHT HIGH DENSITY POLYETHYLENE PROJECT**



**Contract No.: DPIC/98-12**

**DOCUMENT TITLE: Oil Pump Drawing**

**POI: IFA**

**Rev.: D0**

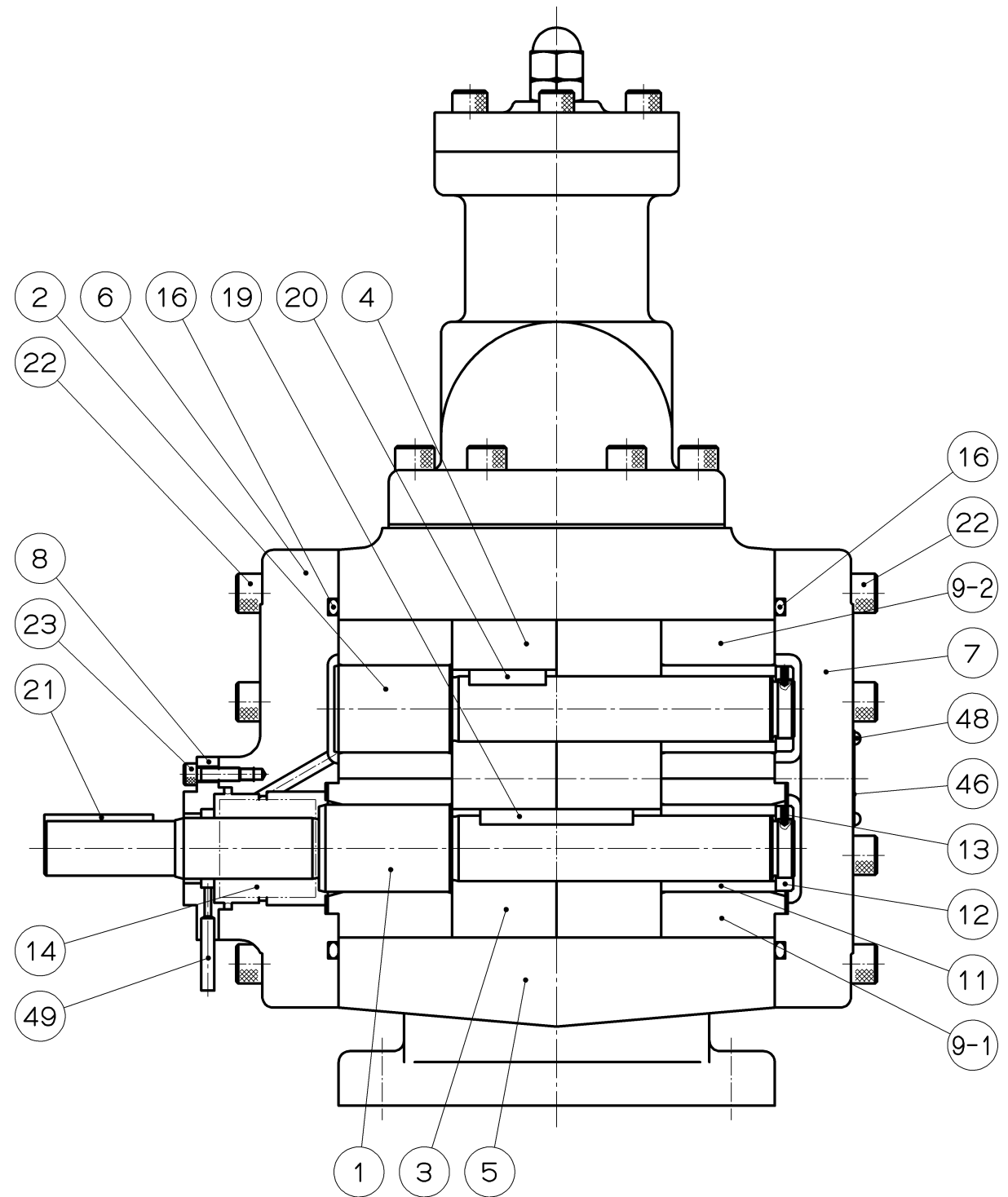
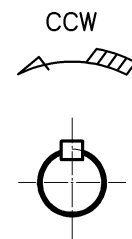
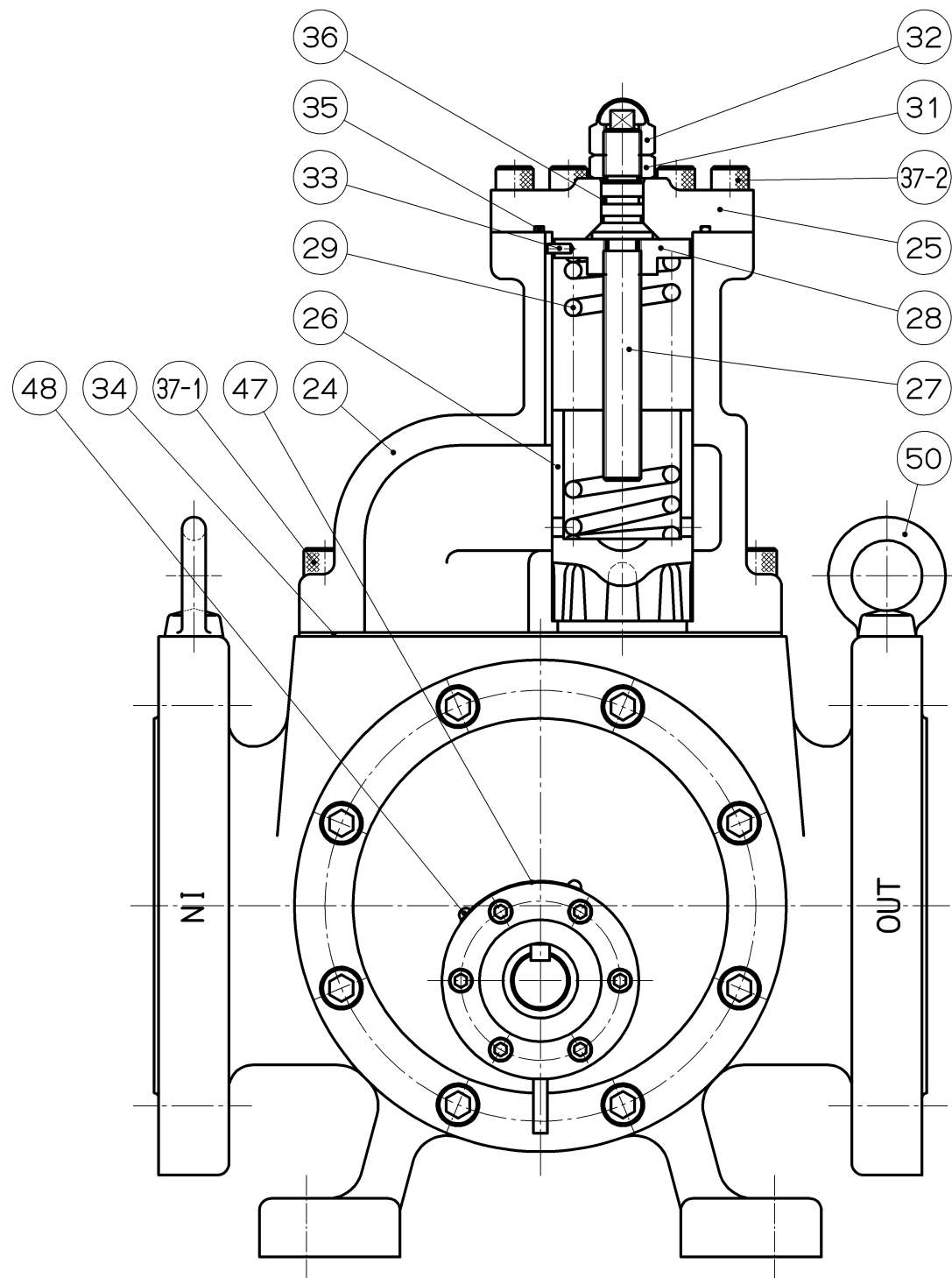
**DOCUMENT No: DPIC9812-000-VD-1002-ME-DWG-0018**

**Sheet 2 of 4**

**TABULATION OF REVISED PAGES**

Page	Rev-D0	Rev-D1	Rev-D2	Rev-D3	Rev-D4
1	x				
2	x				
3	x				
4	x				
5					
6					
7					
8					
9					
10					
11					
12					
13					
14					
15					
16					
17					
18					
19					
20					
21					
22					
23					
24					
25					
26					
27					
28					
29					
30					
31					
32					
33					
34					
35					

Page	Rev-D0	Rev-D1	Rev-D2	Rev-D3	Rev-D4
36					
37					
38					
39					
40					
41					
42					
43					
44					
45					
46					
47					
48					
49					
50					
51					
52					
53					
54					
55					
56					
57					
58					
59					
60					
61					
62					
63					
64					
65					
66					
67					
68					
69					
70					



品番 NO.	部品名 PARTS NAME	材質 MATERIAL	個数 Q. t.y	備考 REMARKS	品番 NO.	部品名 PARTS NAME	材質 MATERIAL	個数 Q. t.y	備考 REMARKS	品番 NO.	部品名 PARTS NAME	材質 MATERIAL	個数 Q. t.y	備考 REMARKS
50	EYE BOLTS	SS400	2	M12	28	SPRING GUIDE	SS400	1		9-2	IDLE BEARING	WJ2/S15C	2	
49	DRAIN PIPE	OST2	1	φ6	27	ADJUSTING BOLT	S45C	1		9-1	DRIVE BEARING	WJ2/S15C	2	
48	RIVET	BsW	6	φ2.5	26	PISTON	FC300	1		8	SEAL RETAINER	SS400	1	
47	ROTATION ARROW PLATE	BsP1	1		25	BODY FLANGE	SS400	1		7	BEARING COVER	FC300	1	
46	NAME PLATE	BsP1	1		24	RELIEF VALVE BODY	FC300	1		6	SEAL COVER	FC300	1	
37-2	HEX. SOCKET HEAD BOLTS	SCM435	6	M10x35	23	HEX. SOCKET HEAD BOLTS	SCM435	6	M6x20	5	GEAR CASING	FC300	1	
37-1	HEX. SOCKET HEAD BOLTS	SCM435	8	M12x40	22	HEX. SOCKET HEAD BOLTS	SCM435	16	M12x50	4	IDLE ROTOR	FCD600	1SET	
36	'O' RING	FPM	1	JISB2401 4D P14	21	KEY	S45C	1	8x7x50	3	DRIVE ROTOR	FCD600	1SET	
35	'O' RING	FPM	1	JISB2401 4D G70	20	KEY	S45C	1	8x7x35	2	IDLE SHAFT	S45C	1	
34	GASKET	NON ASBESTOS	1		19	KEY	S45C	1	8x7x70	1	DRIVE SHAFT	S45C	1	
33	LOCKING PIN	SK5	1	φ4x10	16	'O' RING	FPM	2	JISB2401 4D G155					
32	HEX. CAP NUT	SS400	1	M16	14	MECHANICAL SEAL ASS'Y	SiC+CARBON	1SET						
31	HEX. NUT	SS400	1	M16	13	LOCKING PIN	SK5	2	φ3x8					
29	SPRING	SWPA	1		12	INNER RACE RETAINER	S45C	2						
28	SPRING GUIDE	SS400	1		11	INNER RACE	SUJ2	2						

SECTIONAL ARRANGEMENT  
M80P OIL PUMP

図名  
DESIGNED

図番  
NO.

MP280463-00

尺度  
SCALE

1:2

日付  
DATE

2006. 2. 20

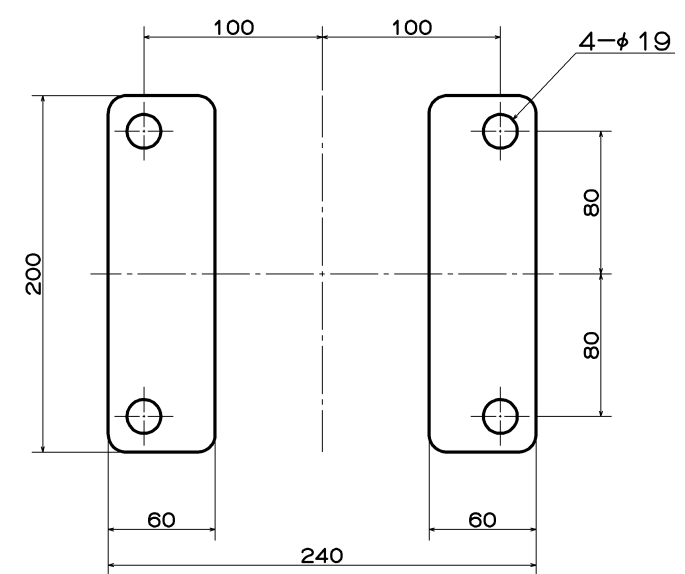
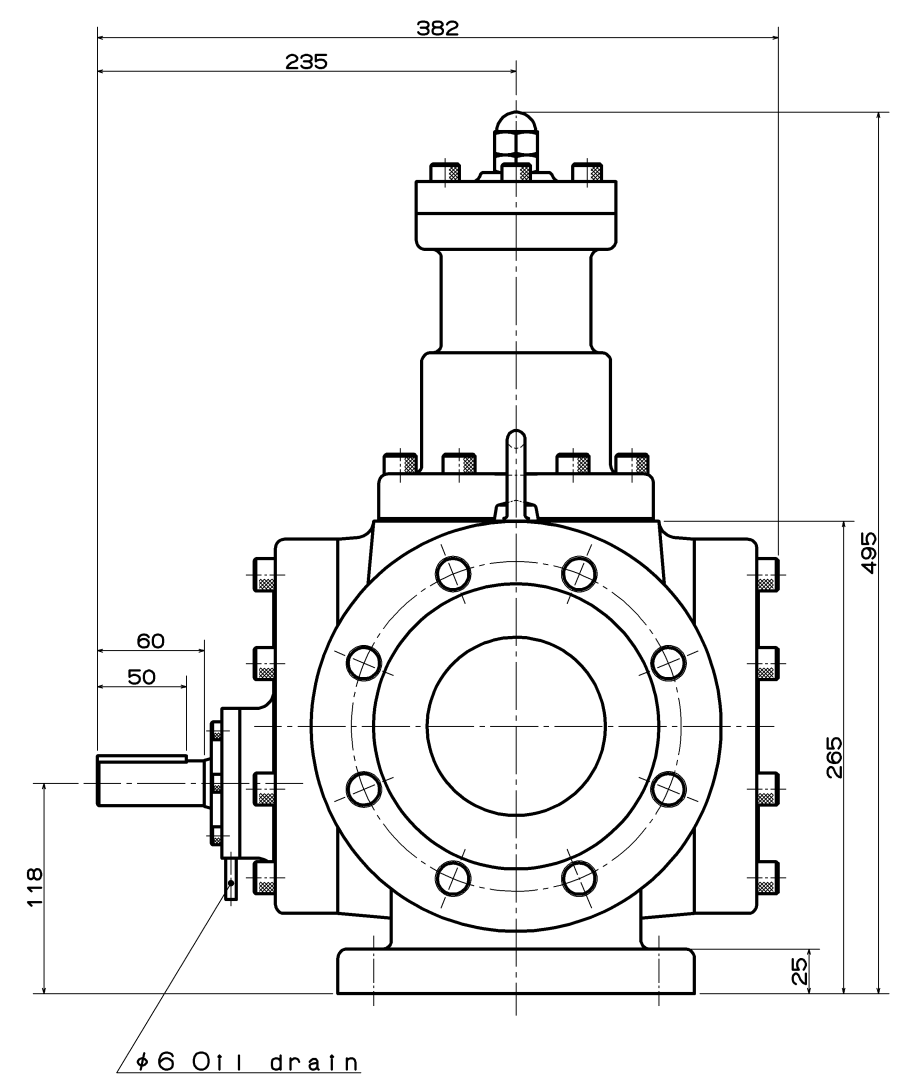
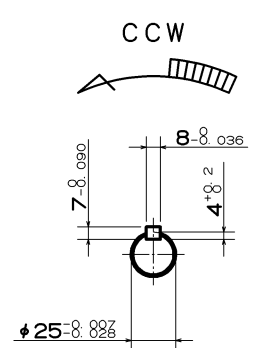
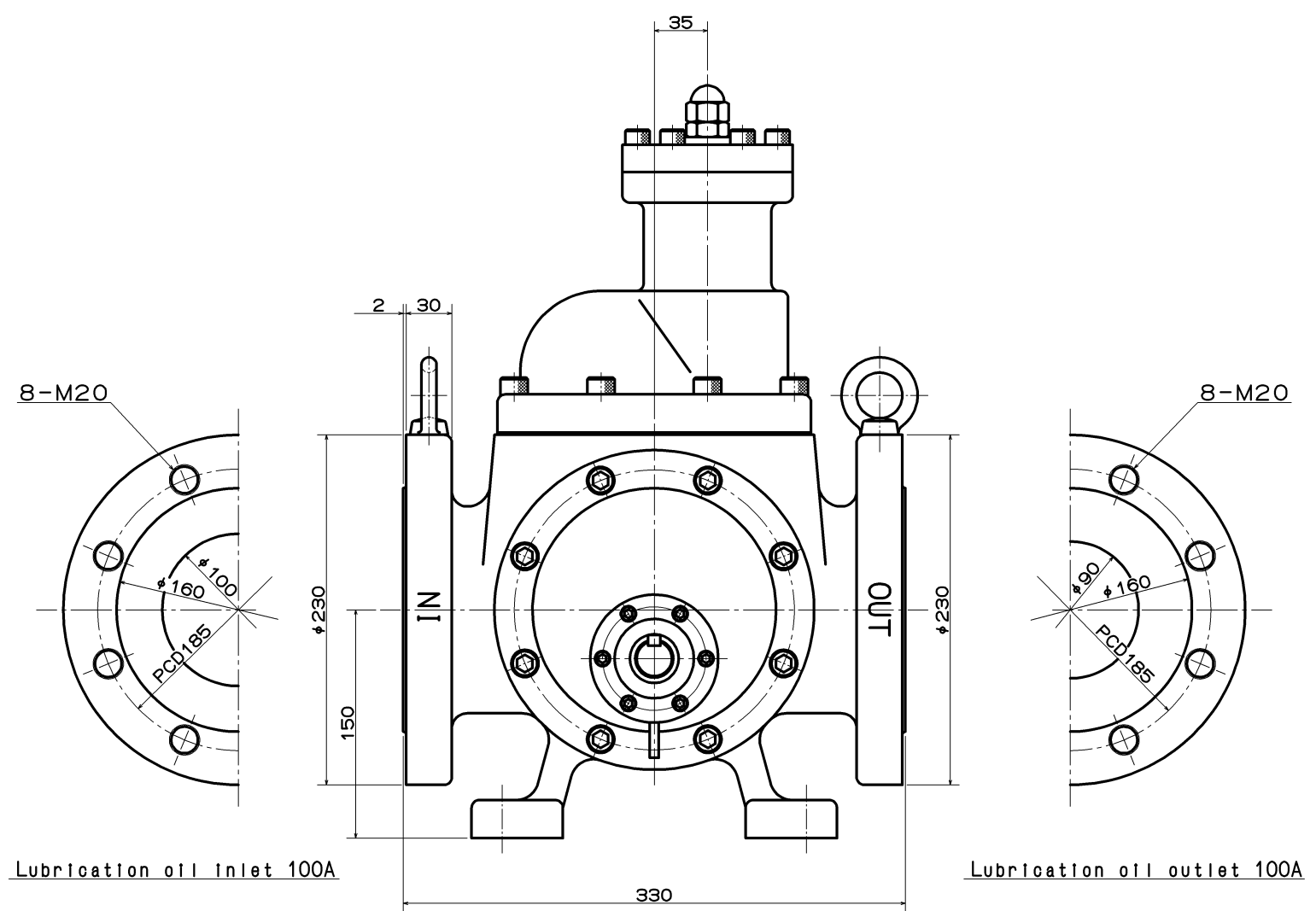
MYCOM 株式会社 前川製作所 圧縮機製造

MAYEKAWA MFG. CO., LTD.  
MORIYA FACTORY

設計  
DESIGNED  
年田

検閲  
CHECKED  
竹下

承認  
APPROVED  
生頭



品番 NO.	部 品 名 PARTS NAME	材 質 MATERIAL	個 数 Q. t y	備 考 REMARKS
図名 NAME	OUTER DIMENSION MYCOM M80P OIL PUMP		設計製図 DESIGNED	検図 CHECKED
図番 FIG. NO.	08P80600-01	尺度 SCALE	1/3	承認 APPROVED
日付 DATE	1997. 01. 30		生頭 池原 崎	
MYCOM 株式会社 前川製作所 技術研究所		MAYEKAWA MFG. CO., LTD. MORIYA FACTORY		