



**DEHDASHT PETROCHEMICAL INDUSTRY COMPANY**  
**DEHDASHT HIGH DENSITY POLYETHYLENE PROJECT**



Contract No.: DPIC/98-12	DOCUMENT TITLE: Main Motor Drawing	POI: IFA	Rev.: D1
	DOCUMENT No: DPIC9812-000-VD-1002-ME-DWG-0014	Sheet 1 of 3	

# Main Motor Drawing

PURCHASER'S COMMENT/APPROVAL STATUS						Purchaser: NARGAN
1	AP: Approved (Released for Manufacturing)					Requisition No.: DPIC98-12-001-000-ME-MR-4150-0001-D1
2	AN: Approved With Minor Comments (Fabrication may Proceed)					
3	NF: Approved With Comments (Fabrication not Proceed)					
4	RJ: Rejected					Item No. (Tag No.): PK-6101
5	NR: Not be Returned					
Date: XX.XX.XX		Signature:				Vendor Doc. No.: DPIC9812-000-VD-1002-ME-DWG-0014
D1	01-Nov-23	IFA	DI-G	M.M	A.V	
D0	21-Feb-22	IFA	DI-G	M.M	A.V	
REV.	DATE ISSUE	Purpose of Issue	PREPARED	CHECKED	APPROVED	

This document is the property of DPIC. Any unauthorized attempt to reproduce it, in any form, is strictly prohibited.



**DEHDASHT PETROCHEMICAL INDUSTRY COMPANY**  
**DEHDASHT HIGH DENSITY POLYETHYLENE PROJECT**



**Contract No.: DPIC/98-12**

**DOCUMENT TITLE: Main Motor Drawing**

**POI: IFA**

**Rev.: D1**

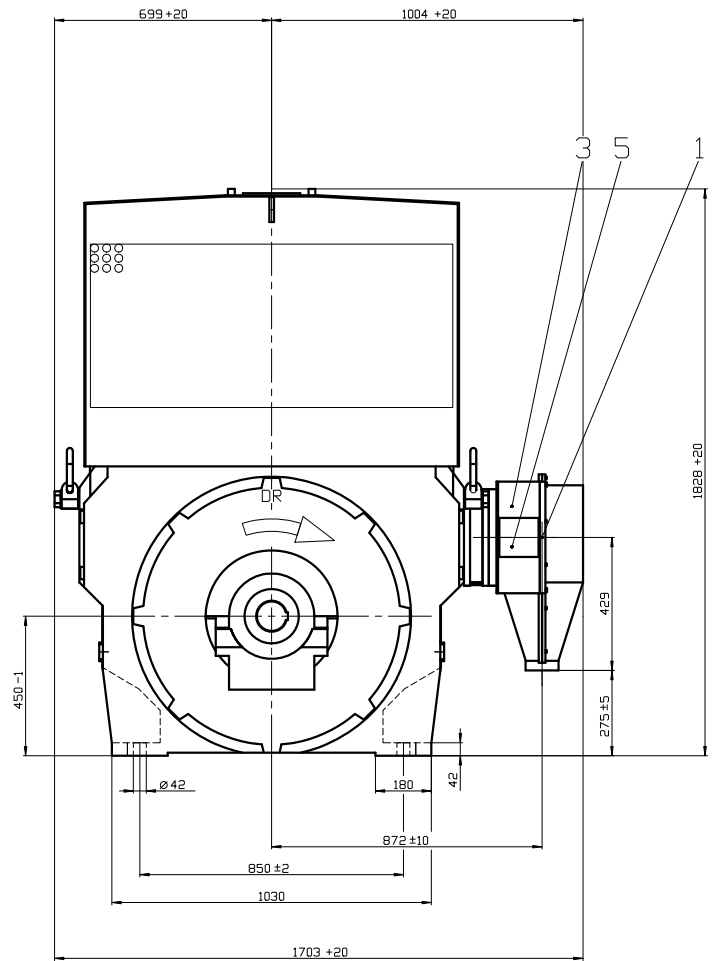
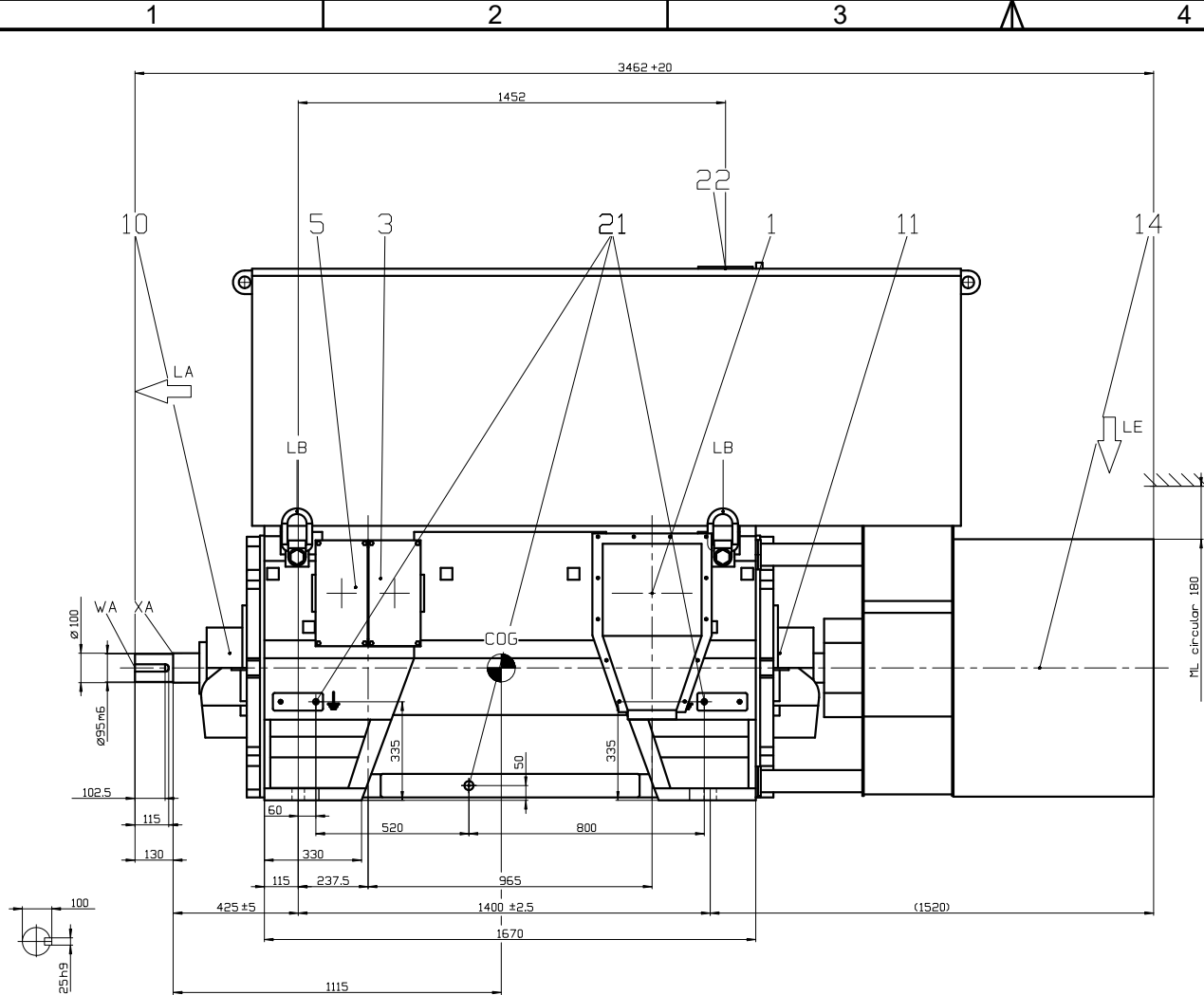
**DOCUMENT No: DPIC9812-000-VD-1002-ME-DWG-0014**


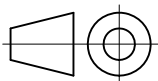
**Sheet 2 of 3**

**TABULATION OF REVISED PAGES**

Page	Rev-D0	Rev-D1	Rev-D2	Rev-D3	Rev-D4
1	x	x			
2	x	x			
3	x	x			
4					
5					
6					
7					
8					
9					
10					
11					
12					
13					
14					
15					
16					
17					
18					
19					
20					
21					
22					
23					
24					
25					
26					
27					
28					
29					
30					
31					
32					
33					
34					
35					

Page	Rev-D0	Rev-D1	Rev-D2	Rev-D3	Rev-D4
36					
37					
38					
39					
40					
41					
42					
43					
44					
45					
46					
47					
48					
49					
50					
51					
52					
53					
54					
55					
56					
57					
58					
59					
60					
61					
62					
63					
64					
65					
66					
67					
68					
69					
70					



B	Rev.01			-	-	-	-	
A	Modification			Gae	Pr	Pr	13.03.2023	
Rev.				Sign	Controller	Approval	Date	
All dimensions are in millimeters	 <b>J. Helmke &amp; Co.</b> www.helmke.de			Identification number		11000101138-39		
				Name		NDKK450-02-G		
	Designers		Date		Revision		Weight [ kg ]	
	Creator	Gae	25.04.2022	Notice		ISO tolerances		
	Controller	Pr	13.03.2023			ISO 2768-mK ISO 1302		
Approval					Material			
				Scale		Format	A4	
						Status		