



DEHDASHT PETROCHEMICAL INDUSTRY COMPANY
DEHDASHT HIGH DENSITY POLYETHYLENE PROJECT



Contract No.: DPIC/98-12	DOCUMENT TITLE: Filter Dryer Drawing	POI: IFA	Rev.: D1
	DOCUMENT No: DPIC9812-000-VD-1002-ME-DWG-0025	Sheet 1 of 4	

Filter Dryer Drawing (F-PK6101-2)

PURCHASER'S COMMENT/APPROVAL STATUS						Purchaser: NARGAN
1	AP: Approved (Released for Manufacturing)					
2	AN: Approved With Minor Comments (Fabrication may Proceed)					Requisition No.: DPIC98-12-001-000-ME-MR-4150-0001-D1
3	NF: Approved With Comments (Fabrication not Proceed)					
4	RJ: Rejected					Item No. (Tag No.): F-PK-6101-2
5	NR: Not be Returned					
Date:	07.03.2022	Signature:	A.AB			Vendor Doc. No.: DPIC9812-000-VD-1002-ME-DWG-0020-D0
D1	23-JAN.-22	IFA	F.SARLAK	M.NAZARSHOAR	DR.A.NEJATI	
D0	03-JAN.-22	IFA	F.SARLAK	M.NAZARSHOAR	DR.A.NEJATI	
REV.	DATE ISSUE	Purpose of Issue	PREPARED	CHECKED	APPROVED	



DEHDASHT PETROCHEMICAL INDUSTRY COMPANY
DEHDASHT HIGH DENSITY POLYETHYLENE PROJECT



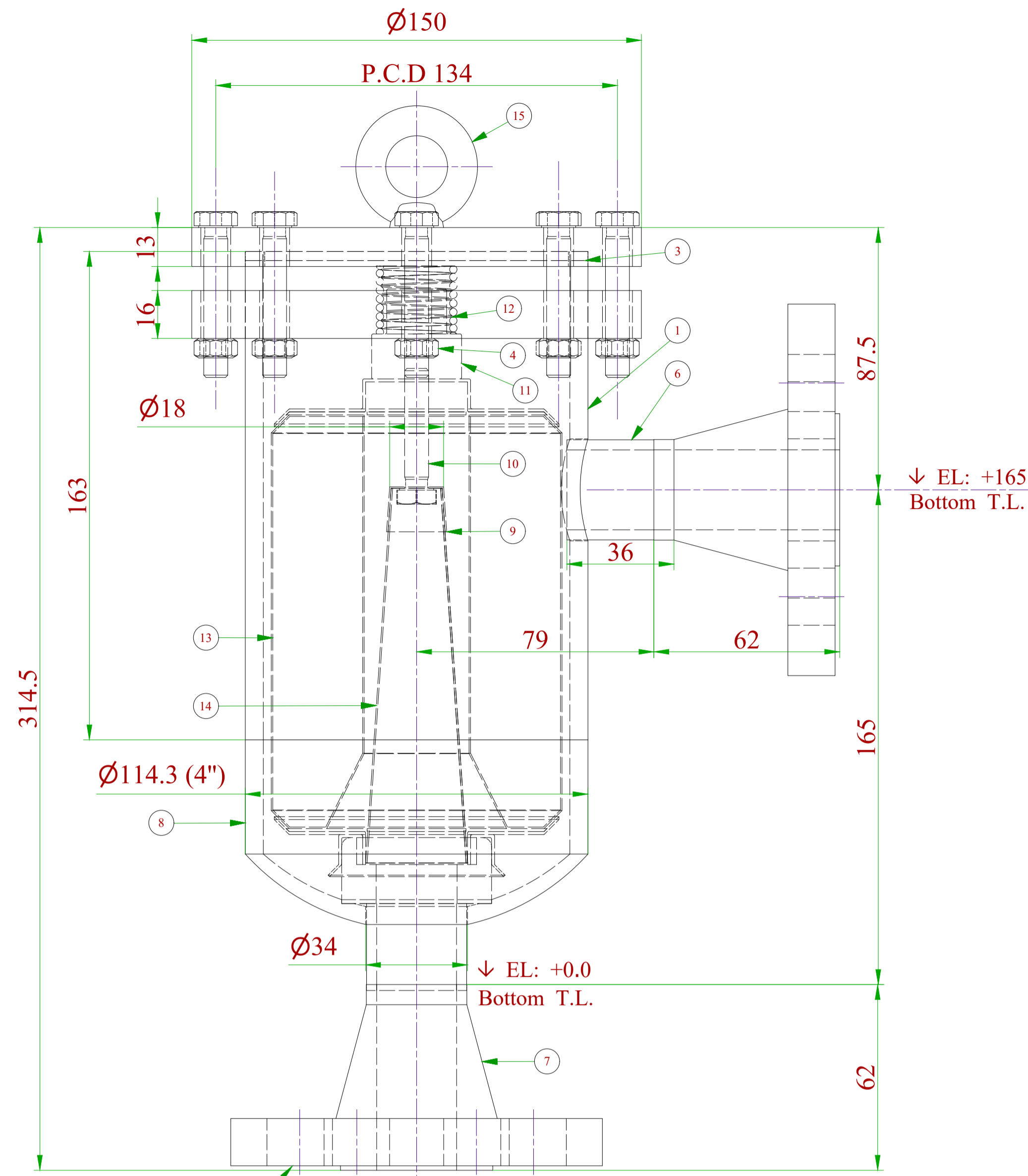
Contract No.: DPIC/98-12	DOCUMENT TITLE: Filter Dryer Drawing	POI: IFA	Rev.: D1
	DOCUMENT No: DPIC9812-000-VD-1002-ME-DWG-0025	Sheet 1 of 4	

TABULATION OF REVISED PAGES

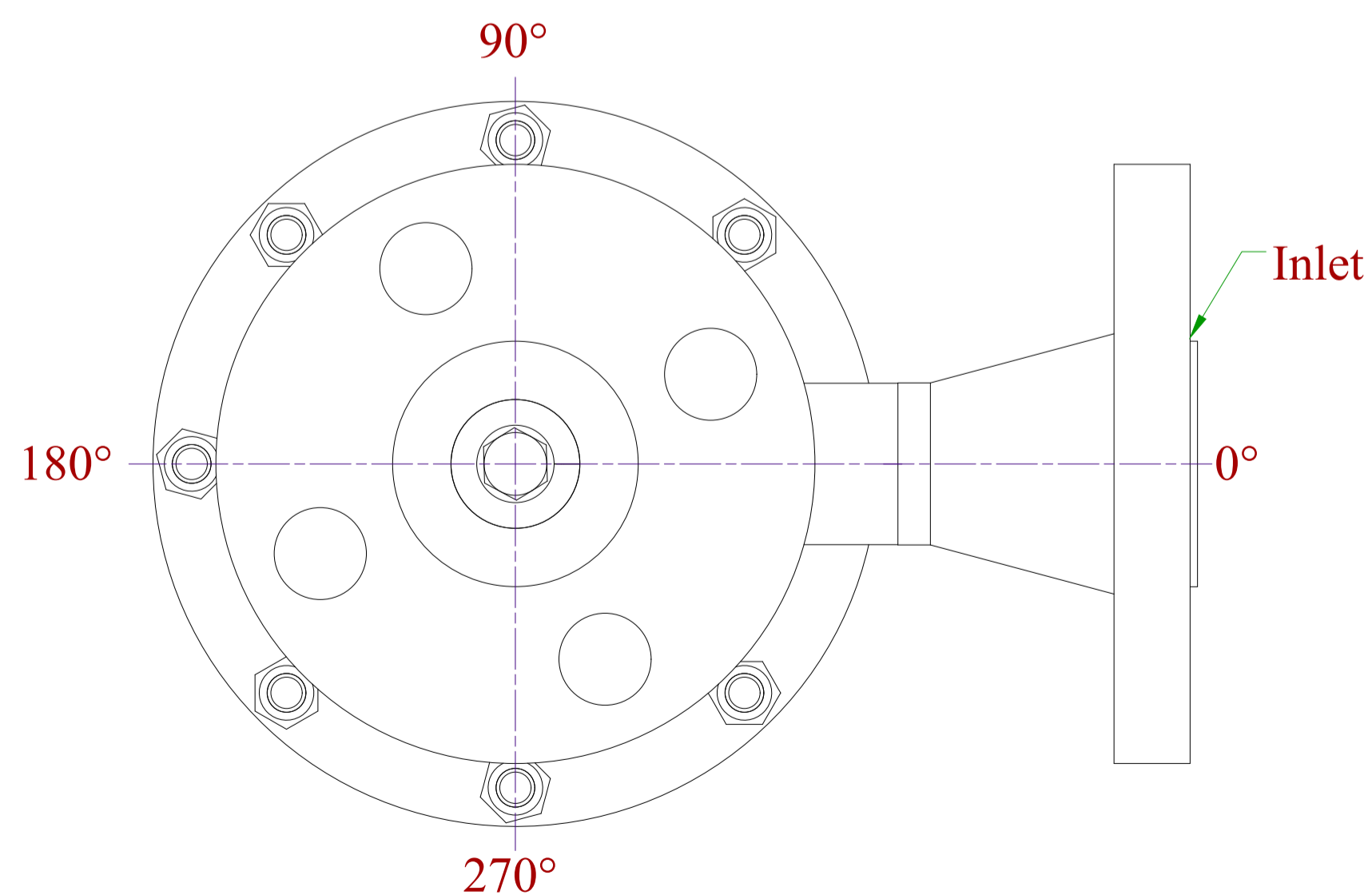
Page	Rev-D0	Rev-D1	Rev-D2	Rev-D3	Rev-D4
1	x	x			
2	x	x			
3	x	x			
4	x				
5					
6					
7					
8					
9					
10					
11					
12					
13					
14					
15					
16					
17					
18					
19					
20					
21					
22					
23					
24					
25					
26					
27					
28					
29					
30					
31					
32					
33					
34					
35					

Page	Rev-D0	Rev-D1	Rev-D2	Rev-D3	Rev-D4
36					
37					
38					
39					
40					
41					
42					
43					
44					
45					
46					
47					
48					
49					
50					
51					
52					
53					
54					
55					
56					
57					
58					
59					
60					
61					
62					
63					
64					
65					
66					
67					
68					
69					
70					

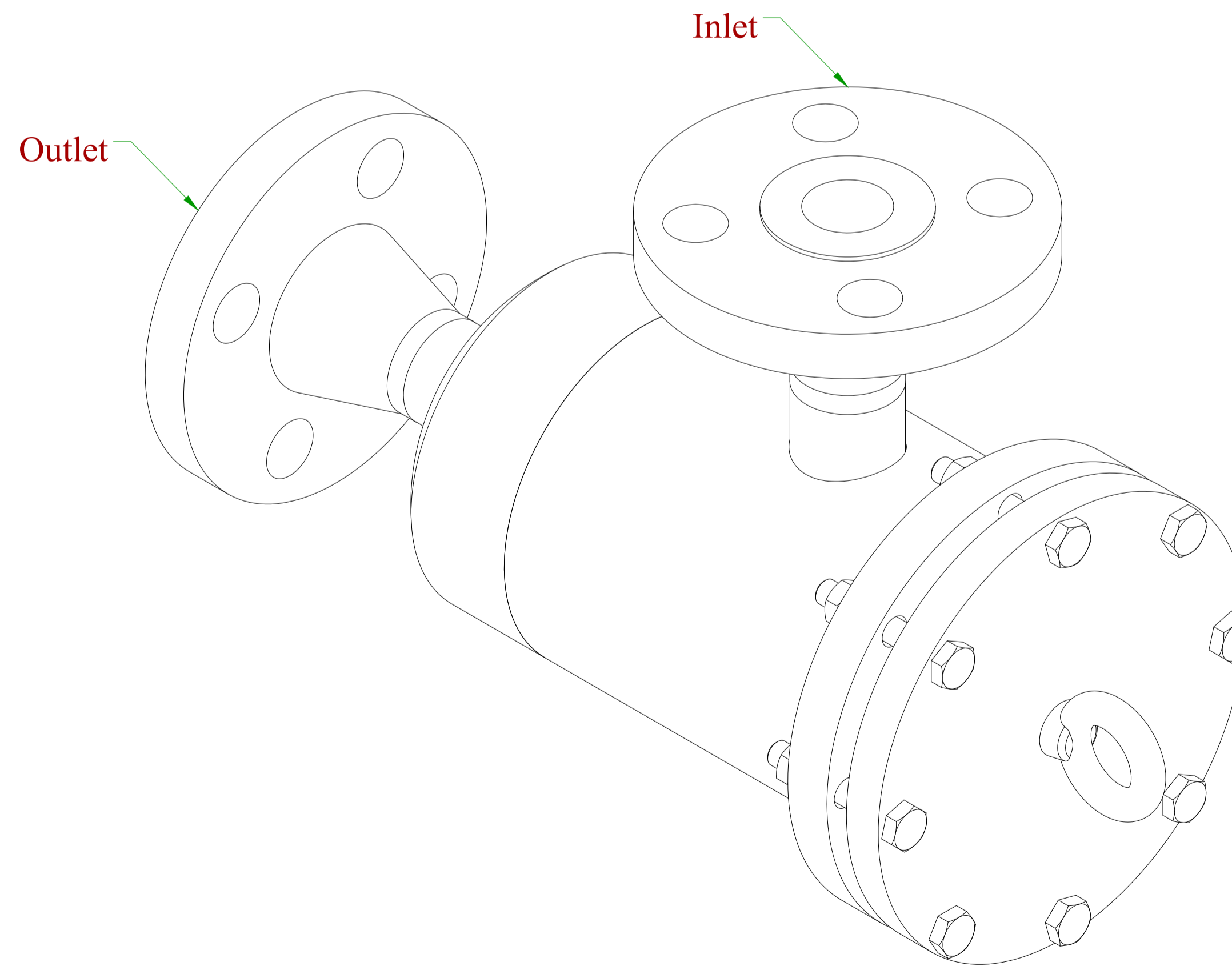
This document is the property of DPIC. Any unauthorized attempt to reproduce it, in any form, is strictly prohibited.



Propylene Filter Dryer - Front View



Propylene Filter Dryer - Top View



Propylene Filter Dryer - Isometric View

REFERENCES DOCUMENT

NOTES

It seems to be for body. Corrosion allowance for internal can be different due to being S.S.

SPECIFICATION

9	CORROSION ALLOW	Discrepancy with DSH	3mm
8	VISCOSITY		0.06 cP
7	DENSITY		461 kg/m ³
6	PRESSURE VACUUM		1.01 BarA
5	PRESSURE OPERATING		8.6 BarG
4	PRESSURE DESIGN		23 BarG
3	OPERATING TEMPERATURE		48.5 C
2	DESIGN TEMPERATURE		-45/135 C
1	FLUID		PROPYLENE
Num	ITEM		DESCRIPTION

Process Data

please specify molecular sieve media and type

16	End Flange	---	A516 GR.70	1	0.852 kg	Refer to sheet 4
15	Metric Lifting Eyes	ANSI B18.15.1M - M8x13	A193GR.B8	1	0.065 kg	
14	Semi Core Strainer	---	S.S.304	1	0.202 kg	Refer to sheet 4
13	Dryer Core	2 Stage With MFF400 x 17pcs	---	1	By Vendor	
12	Compress Spring	L ₀ =28mm, Wire Dia. 2.5mm Diameter:22mm	S.S.304	1	0.024 kg	
11	Bush	---	S.S.304	1	0.108 kg	Refer to Sheet 4
10	Hex-Head Bolt	DIN 933 - M8	Steel, Mild	1	0.021 kg	
9	Strainer Cap	---	---	1	0.004 kg	Refer to Sheet 4
8	End Cap	BW Cap ,Sch40,4", ANSI B16.9	A420 WPL6	1	1.6 kg	
7	Nozzle Flange	WN,ANSI B16.5,1",CI 300	SA350 LF2.CL.1	2	3.21 kg	
6	Nozzle Pipe	Pipe, Sch.40 ,1",ANSI B36.10	SA 333 GR.6	1	0.074 kg	
5	Hex-Head Bolt	DIN 933 - M8 x 50	A193GR.B8	8	0.203 kg	
4	Hex Nut	DIN 934 - M8	A194GR.2H	8	0.043 kg	
3	Seal Ring	V/#7020	PTFE	1	0.013 kg	Refer to Sheet 4
2	Blind Flange	Modified Flange	A516 GR.70	1	12.3 kg	Refer to Sheet 4
1	Shell	Pipe,Sch.40,4",ANSI B36.10	SA 333 GR.6	1	2.6 kg	
Pos.	ITEM	Description	Material	Qty	Total Weight	Remark

PARTS LIST

CLIENT: MC

CONTRACTOR: Please add total weight of filter

This document is the property of DPIC Any unauthorized attempt to reproduce it, in any form, is strictly prohibited

PROJECT TITLE:
DEHDASHT PETROCHEMICAL INDUSTRY COMPANY
DEHDASHT HIGH DENSITY POLYETHYLENE PROJECT

DRAWING TITLE:
FILTER DRYER DRAWING

DOCUMENT No: DPIC9812-000-VD-1002-ME-DWG-0025

SC. SIZE: A1

Proj. Code	Area No.	VD	Material Code	PO No.	Disc. Code	Doc. Type	Serial No.	Rev.	Sheet No.
									3 of 4

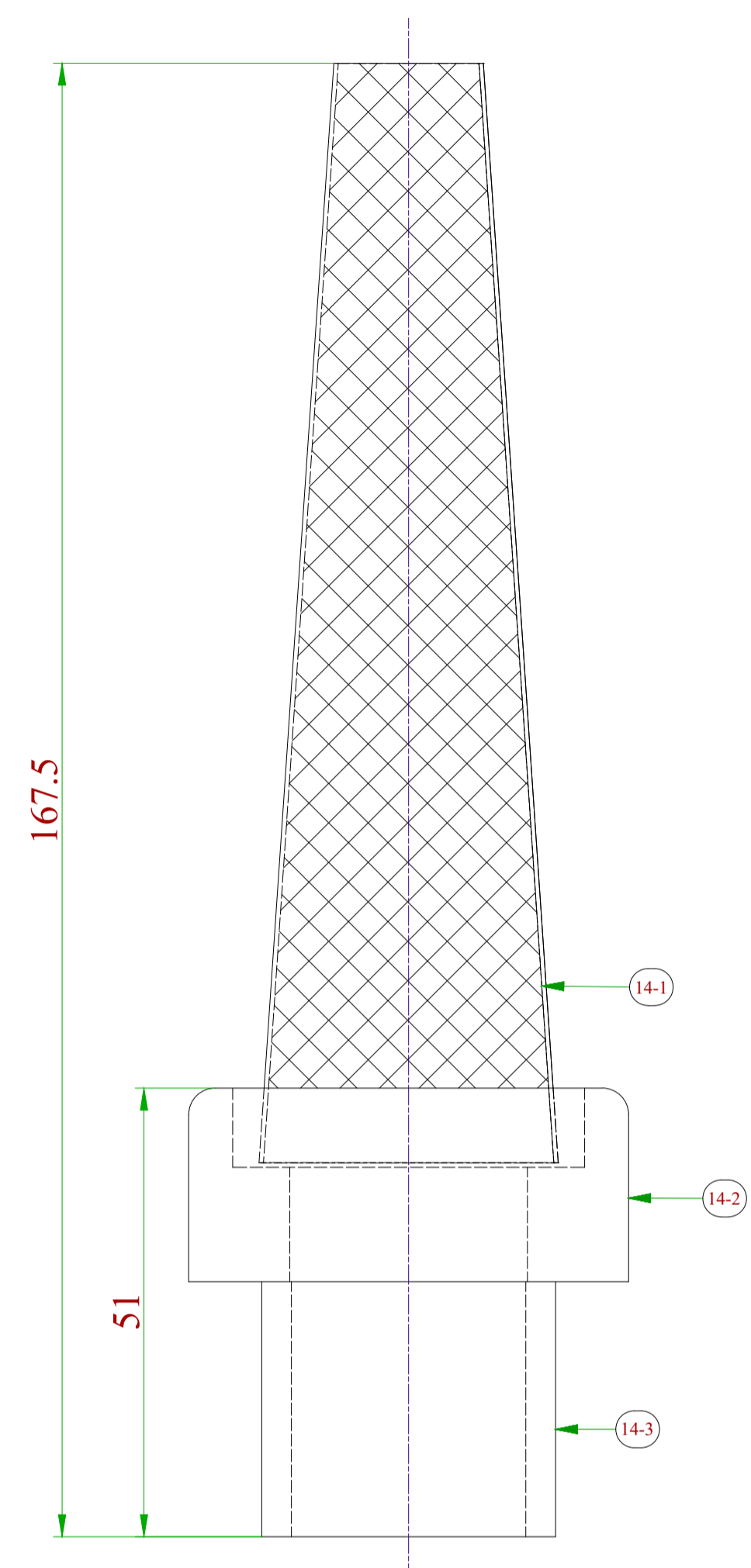
PURCHASER'S COMMENT/APPROVAL STATUS		PURCHASER:	
1. AP: Approved (Released for Manufacturing)			
2. AM: Approved With Minor Comments (Fabrication may Proceed)		REQUISITION NO.:	
3. NF: Approved With Comments (Fabrication not Proceed)		ITEM NO. (TAG NO.):	F-PK6101-2
4. RJ: Rejected		VENDOR DOC. NO.:	
5. NR: Not be Returned			
Date: XX.XX.XX	Signature:		

DI	23-01-2022	ISSUE FOR APPROVAL	F.SARLAK	M.NAZARSHOAR	D.RA.NEJATI
DO	02-01-2022	ISSUE FOR APPROVAL	F.SARLAK	M.NAZARSHOAR	D.RA.NEJATI
REV	DATE	DESCRIPTION	PREP'D	CHK'D	APP'D

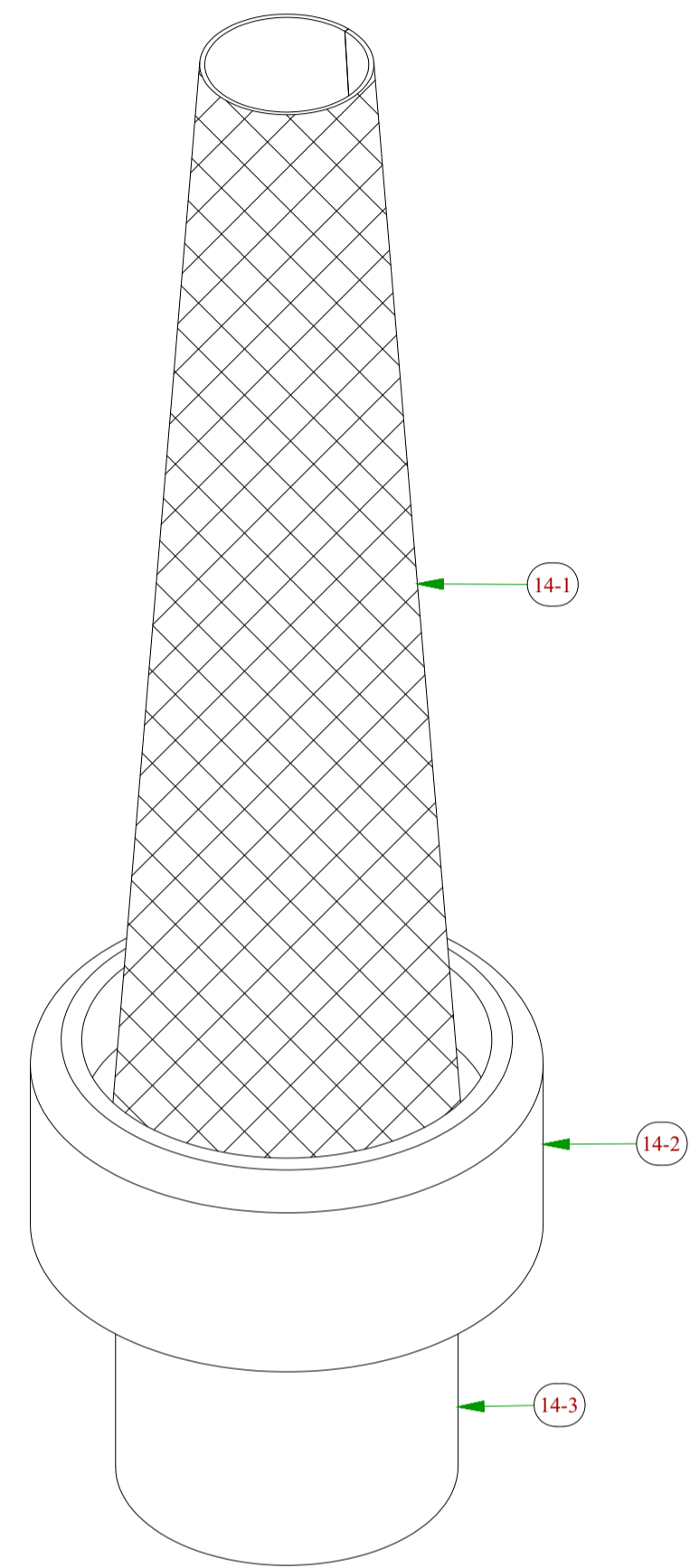
NOTES

1. Strainer Mesh shall be Finalized by Vendor.

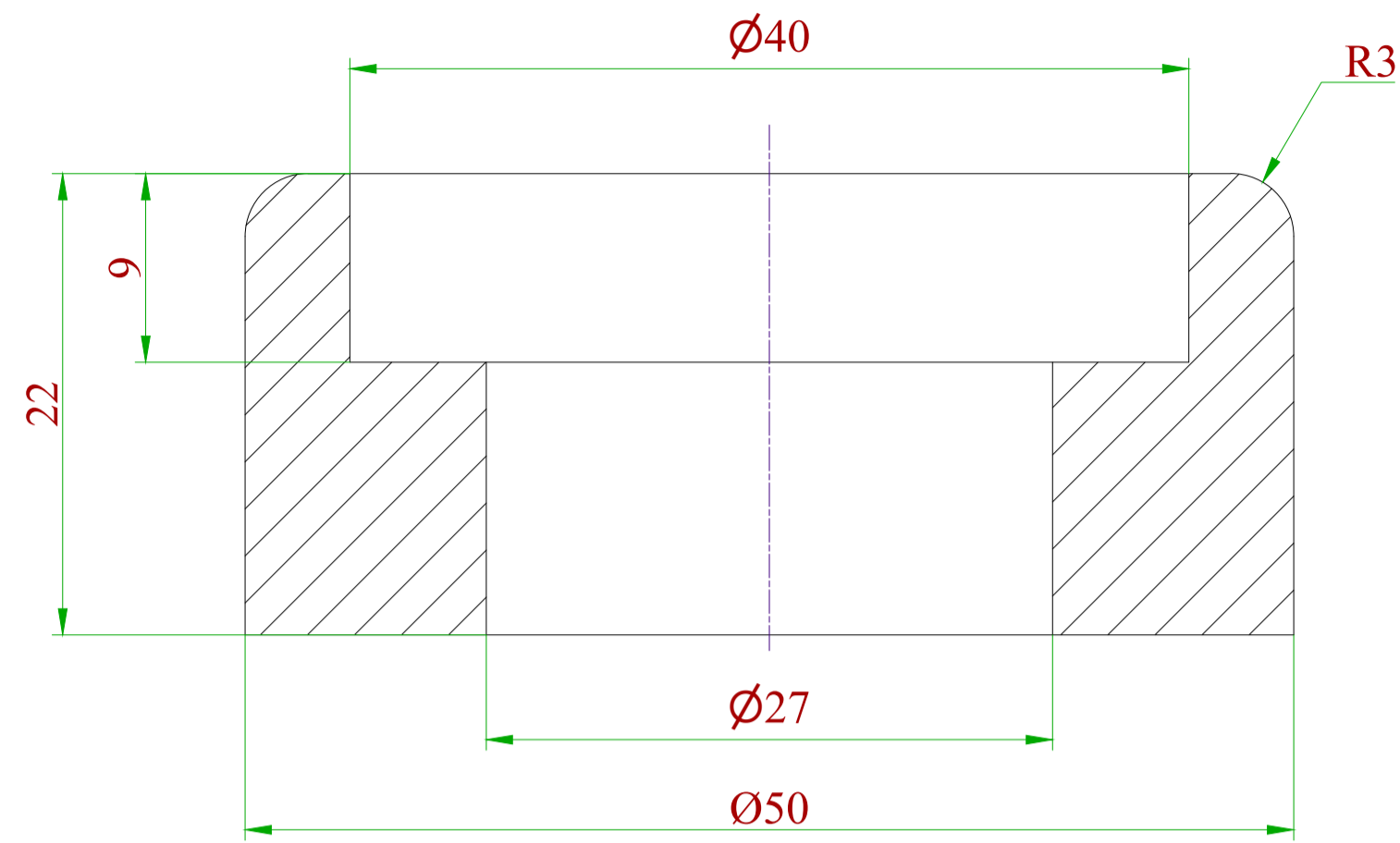
SPECIFICATION



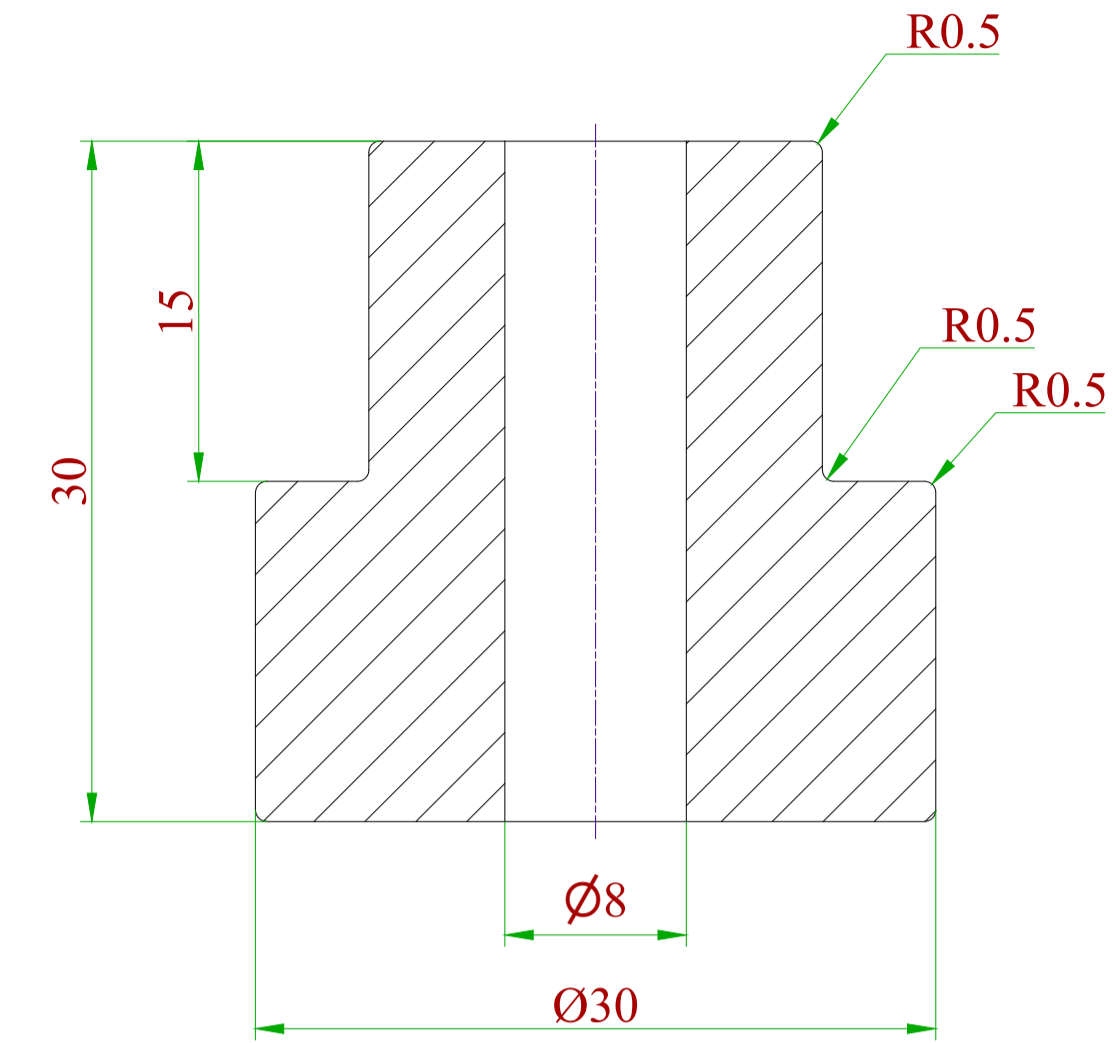
Pos. 14 : Semi Cone Strainer - Front View



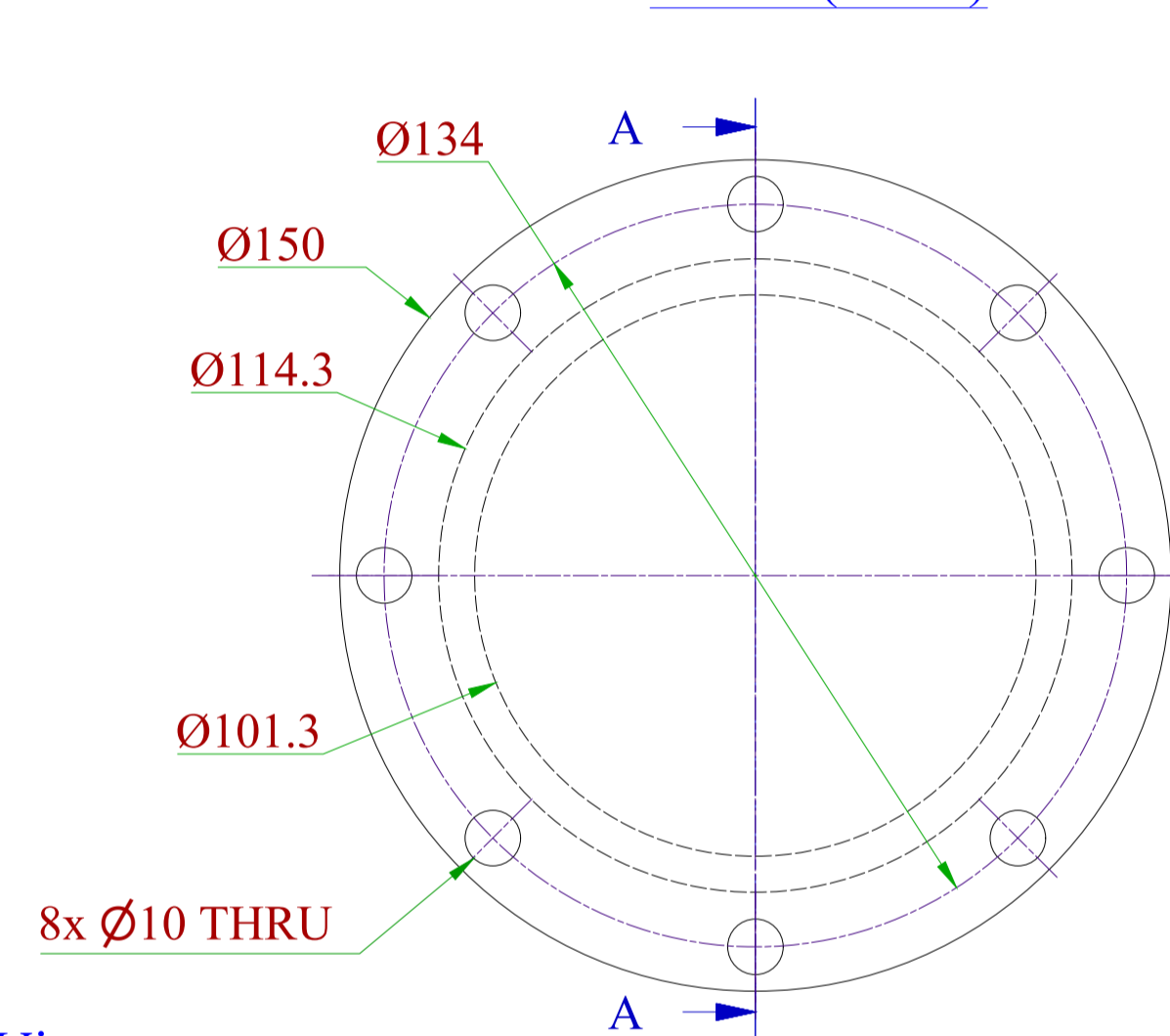
Propylene Filter Dryer - Isometric View



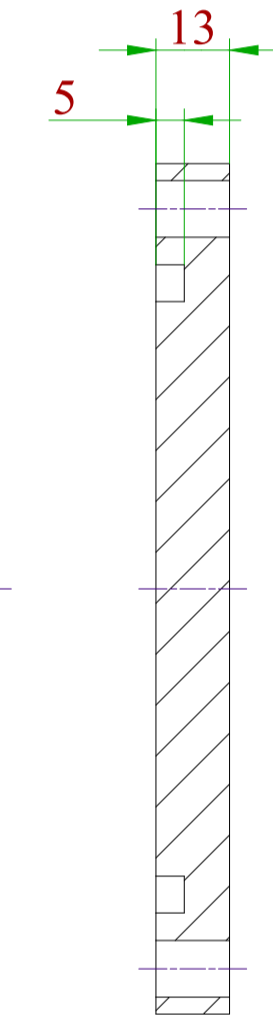
Pos. 14-2 : Spacer View
Scale : (2 : 1)



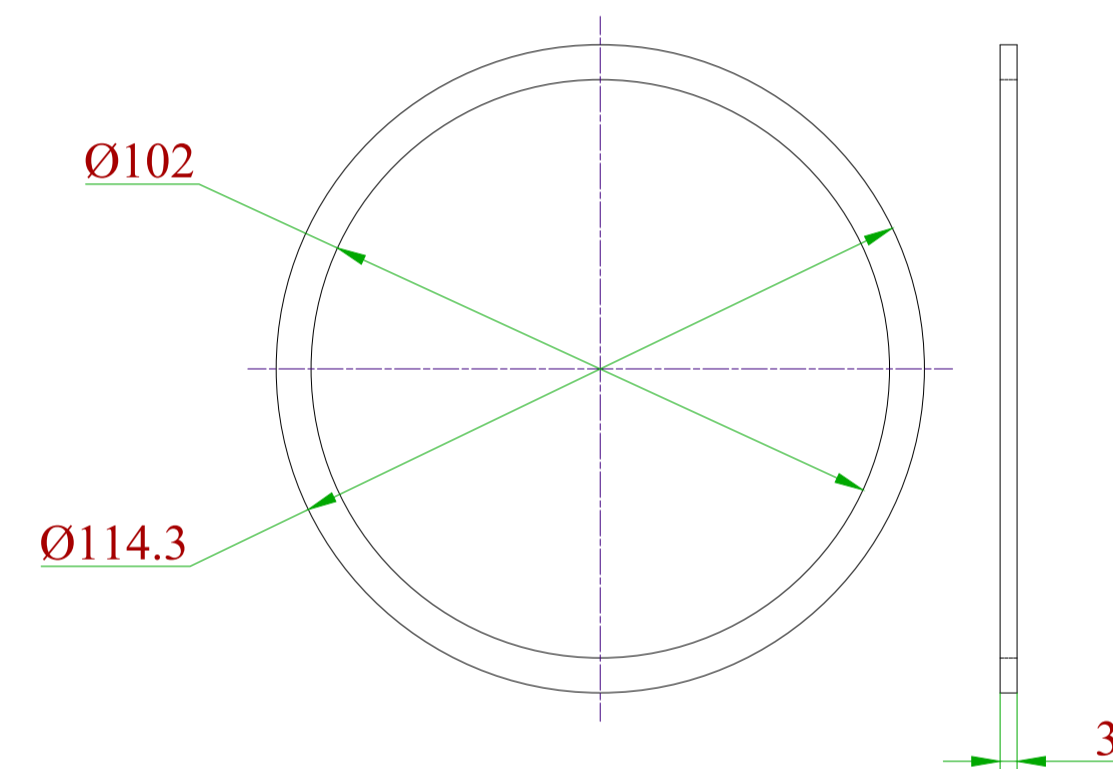
Pos. 11 : Bush View
Scale : (2 : 1)



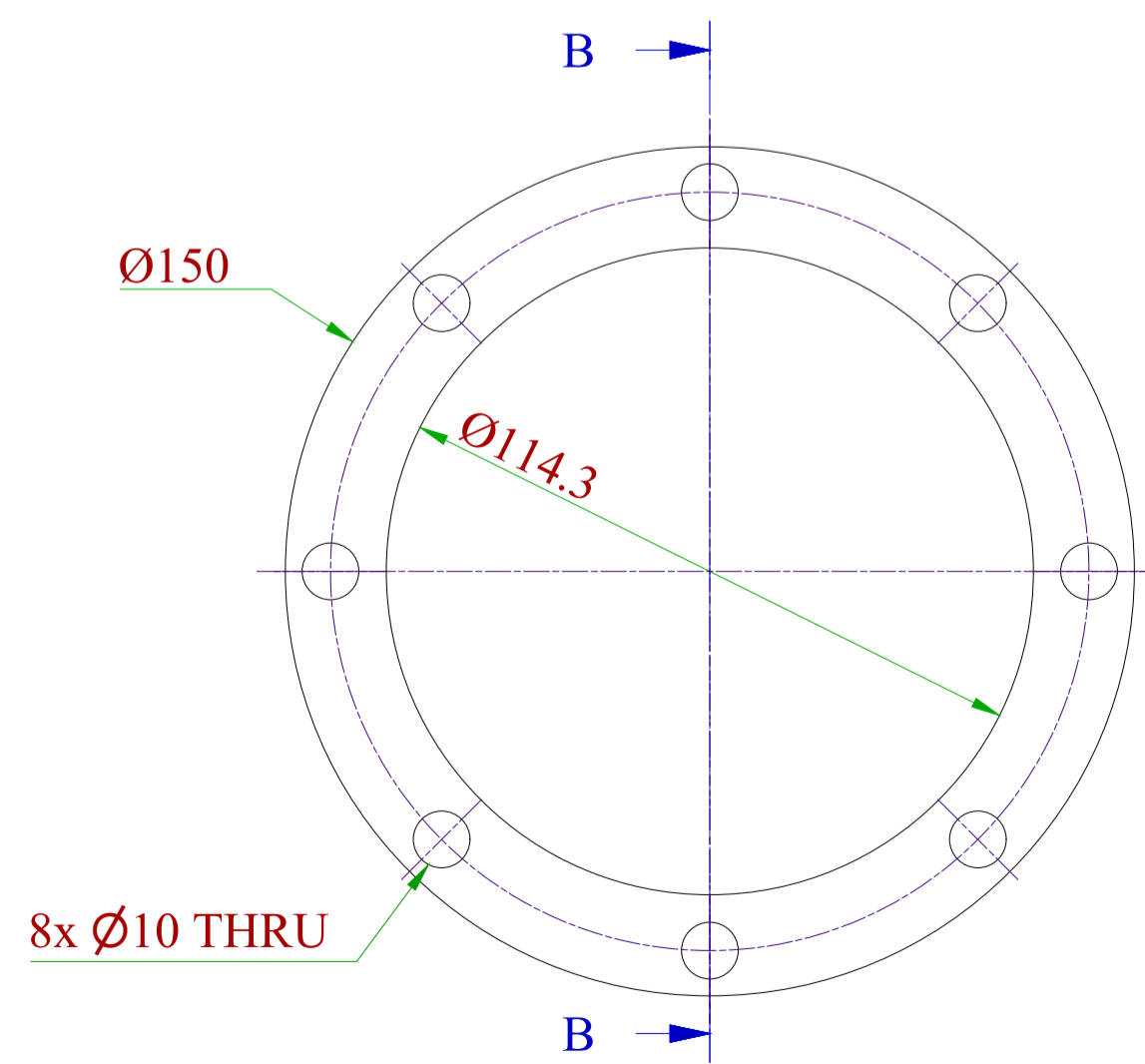
Pos. 02 : Blind Flange View
Scale : (1 : 2)



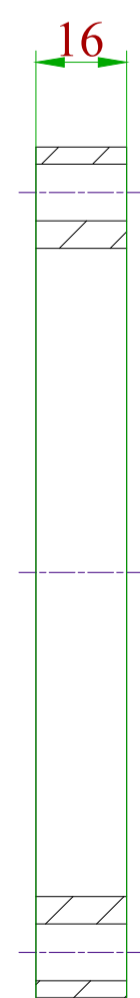
Section A-A
Scale : (1 : 2)



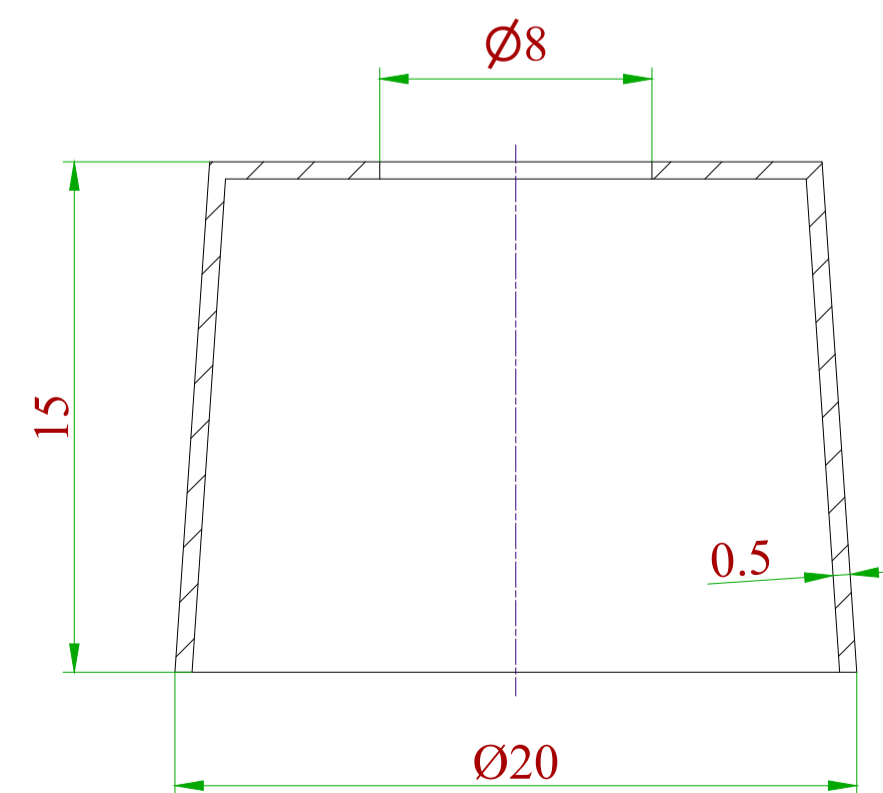
Pos. 03 : Seal Ring View
Scale : (1 : 2)



Pos. 16 : End Flange View
Scale : (1 : 2)



Section B-B
Scale : (1 : 2)



Pos. 09 : Strainer Cap View
Scale : (3 : 1)

Pos.	ITEM	Description	Material	Qty	Unit Weight	Total Weight
14-3	Pipe	Pipe - Sch.40s, ANSI B36.19	S.S.304	1	0.70 kg	0.70 kg
14-2	Spacer	Ø50 X Th.=22	S.S.304	1	1.2 kg	1.2 kg
14-1	Semi Cone	Note.1	S.S.304	1	0.039 kg	0.039 kg

PARTS LIST

CLIENT: MC CONTRACTOR:

This document is the property of DPIC. Any unauthorized attempt to reproduce it, in any form, is strictly prohibited.

PROJECT TITLE:
DEHDASHT PETROCHEMICAL INDUSTRY COMPANY
DEHDASHT HIGH DENSITY POLYETHYLENE PROJECT

DRAWING TITLE:
FILTER DRYER DRAWING

DOCUMENT No: DPIC9812-000-VD-1002-ME-DWG-0025						SC.
						SIZE: A1
Proj. Code	Area No.	VD	Material Code	PO No.	Disc. Code	Doc. Type
						Serial No.
						Rev.
						Sheet No.
						4 of 4

PURCHASER'S COMMENT/APPROVAL STATUS		PURCHASER:	
1. AP: Approved (Released for Manufacturing)			
2. AM: Approved With Minor Comments (Fabrication may Proceed)		REQUISITION NO.:	
3. NF: Approved With Comments (Fabrication not Proceed)		ITEM NO. (TAG NO.): F-PK6101-2	
4. RJ: Rejected		VENDOR DOC. NO.:	
5. NR: Not to be Returned			
Date: XX.XX.XX	Signature:		

REV	DATE	DESCRIPTION	PREP'D	CHK'D	APP'D
01	23-01-2022	ISSUE FOR APPROVAL	F.SARLAK	M.NAZARSHOAR	D.RA.NEJATI
00	02-01-2022	ISSUE FOR APPROVAL	F.SARLAK	M.NAZARSHOAR	D.RA.NEJATI

Color	Width
RED	0.10
YEL	0.20
GRN	0.30
CYA	0.40
BLU	0.50
MAG	0.60
WHY	0.20
8	0.10
9	0.10
11	0.10
30	0.10
40	0.10
54	0.10
60	0.10
100	0.10
112	0.10
140	0.10
230	0.10