








Contractor: 	Dehdasht Petrochemical PROJECT	OWNER: 
Vendor: 		Document Title Compressor Drawing
Document Number:		
Document Title:		Compressor Drawing

Document Title

Compressor Drawing

PURCHASER'S COMMENT/APPROVAL STATUS						Purchaser: NARGAN Requisition No.: DPIC98-12-001-000-ME-MR-4150-0001-D1 Item No. (Tag No.): PK-6101 Vendor Doc. No.: DPIC-12-001/000-4150-ME-DWG-023
1	AP: Approved (Released for Manufacturing)					
2	AN: Approved With Minor Comments (Fabrication may Proceed)					
3	NF: Approved With Comments (Fabrication not Proceed)					
4	RJ: Rejected					
5	NR: Not be Returned					
Date: XX.XX.XX Signature:						
						
D0	17-Oct-21	IFA				
REV	DATE ISSUE	Purpose of Issue	PREPARED	CHECKED	APPROVED	

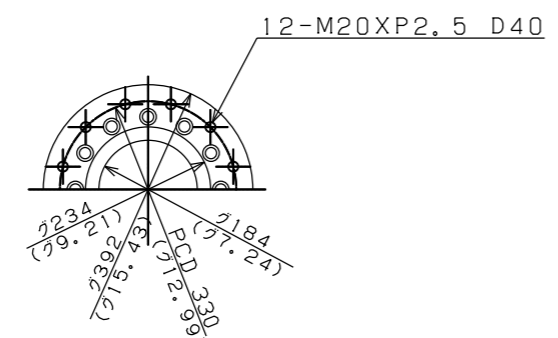
Contractor: 	Dehdasht Petrochemical PROJECT	OWNER: 
Vendor: 		Document Title Compressor Drawing
Document Number:		
Document Title:		Compressor Drawing

TABULATION OF REVISED PAGES

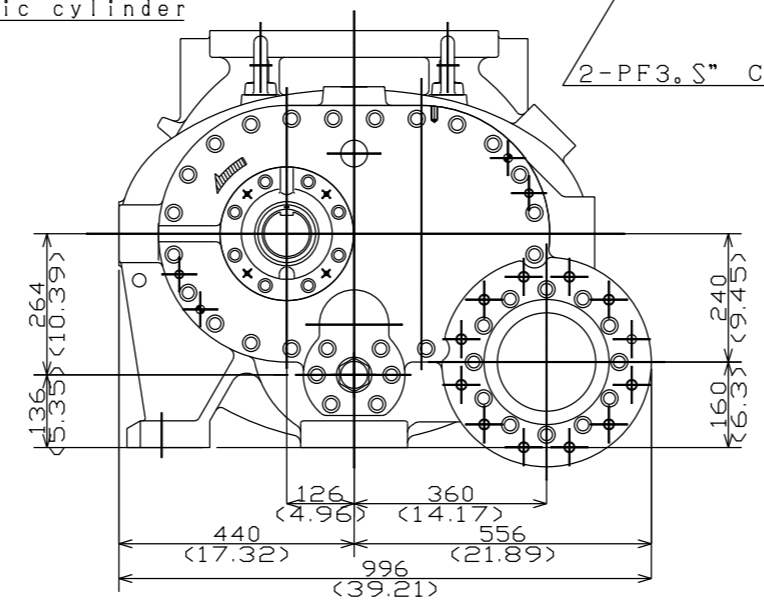
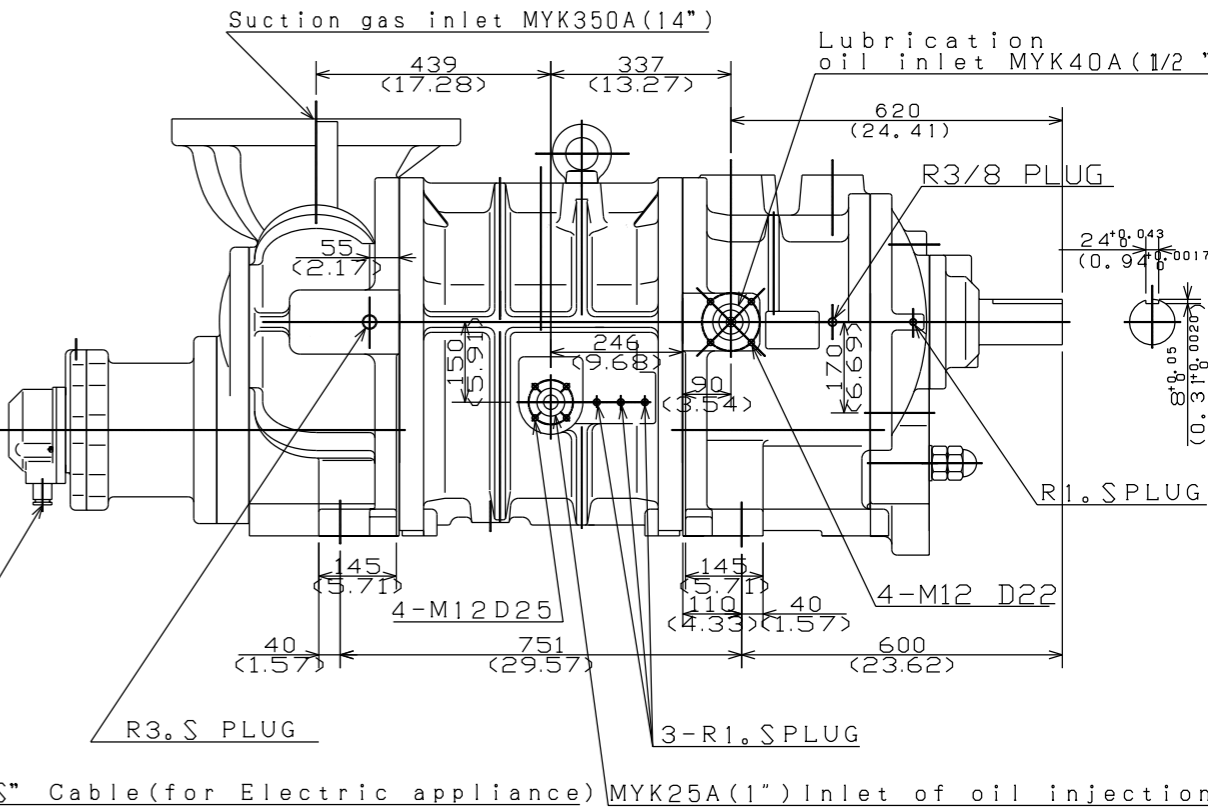
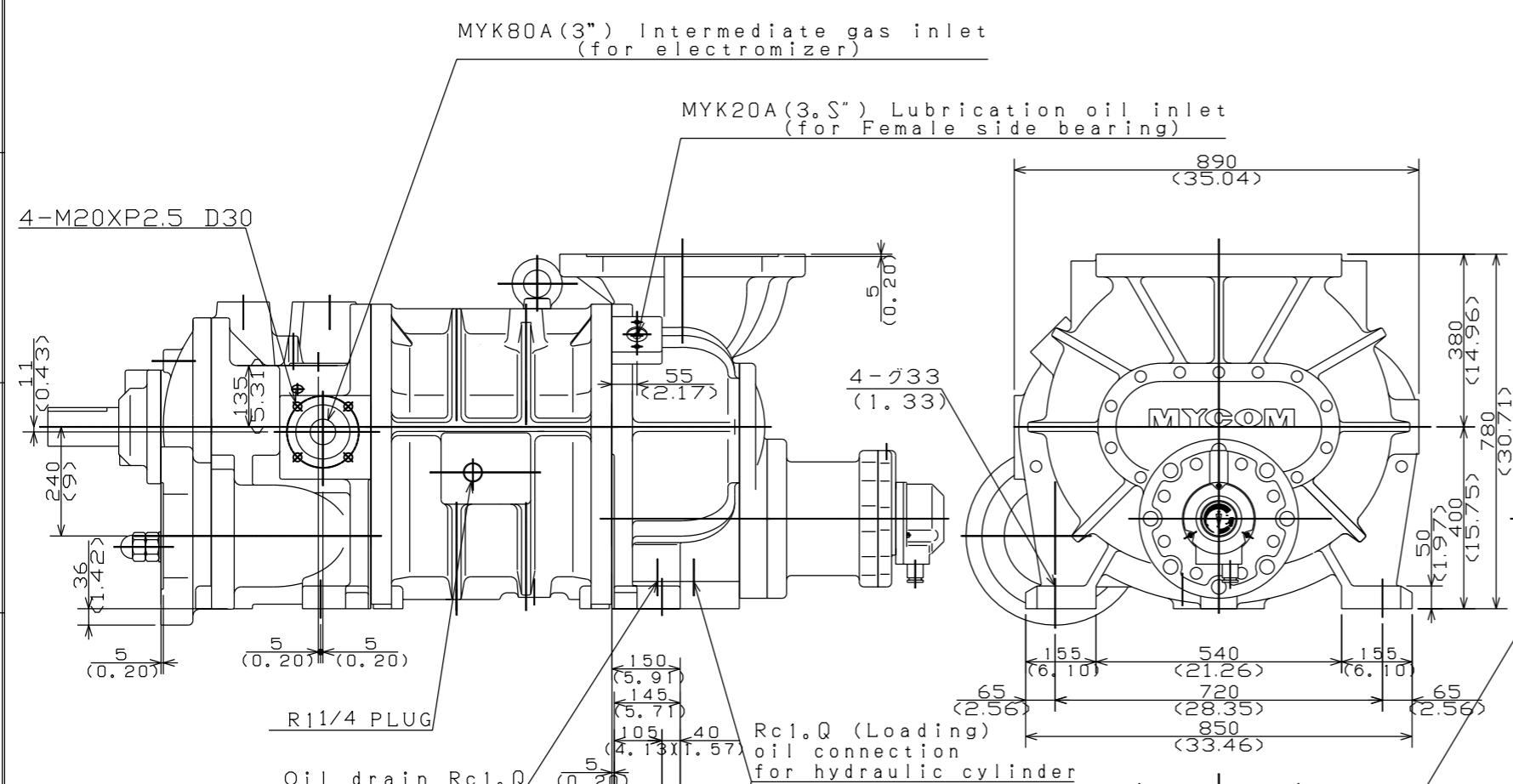
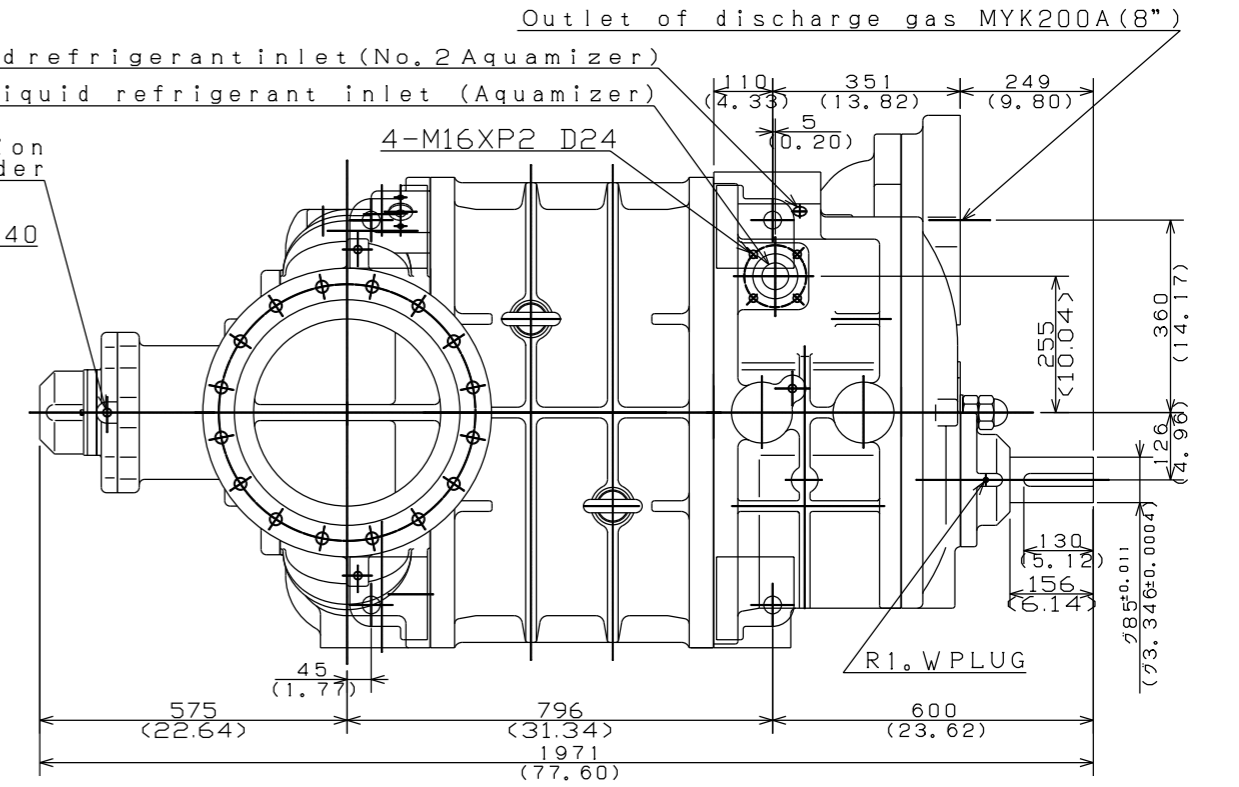
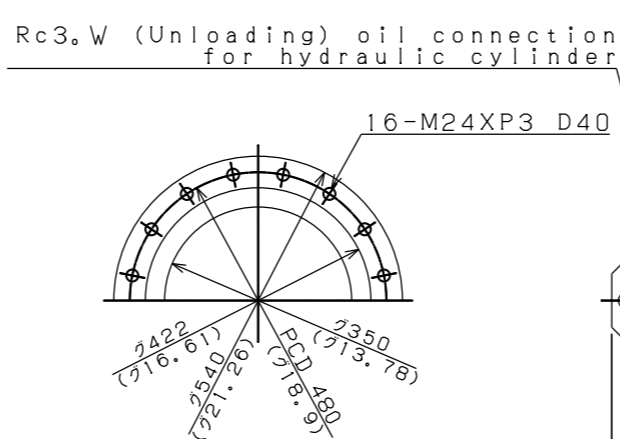
Page	Rev-D0	Rev-D1	Rev-D2	Rev-D3	Rev-D4
1	x				
2	x				
3	x				
4					
5					
6					
7					
8					
9					
10					
11					
12					
13					
14					
15					
16					
17					
18					
19					
20					
21					
22					
23					
24					
25					
26					
27					
28					
29					
30					
31					
32					
33					
34					
35					

Page	Rev-D0	Rev-D1	Rev-D2	Rev-D3	Rev-D4
36					
37					
38					
39					
40					
41					
42					
43					
44					
45					
46					
47					
48					
49					
50					
51					
52					
53					
54					
55					
56					
57					
58					
59					
60					
61					
62					
63					
64					
65					
66					
67					
68					
69					
70					

Discharge side MYK200A(8")



Suction side MYK350A(14")



All dimensions are in millimeters
All figures in the brackets are in inches

Weight: 2640kgf

△	記	事	年月	担	当	検	図
---	---	---	----	---	---	---	---

国名 NAME	OUTER DIMENSION 320VLD-X(E, I)	設計 DESIGNED	検 CHECKED	認 APPROVED
国名 NO.	3240D100X00	設計 DATE	1/10	Jun. 16, 1997
MYCOM		株式会社 前山 永進 鋼絞 所 技術 研究所		MAYEKAWA MFG. CO., LTD. MORIYA FACTORY