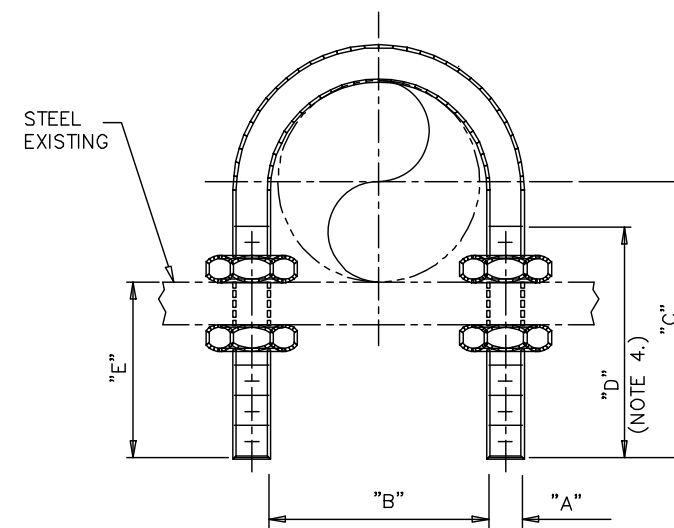


NOTES

1. ALL DIMENSIONS ARE IN MM.
2. MATERIAL (ASTM)
A-36 OR EQUIV.
3. FINISH
PROTECTIVE COATINGS SHALL BE DONE AS PER
PAINT SPECIFICATION
4. VENDOR TO CHECK THE POSSIBILITY OF CONNECTION.



PIPE SIZE (NPS)	ROD SIZE "A"	"B"	"C"	"D"	"E"
1/2	6	32	55	52	44
3/4	6	37	60	58	47
1	6	42	65	62	48
1 1/2	6	55	70	67	46
2	10	65	75	70	45
2 1/2	12	78	90	75	53
3	12	93	95	75	51
3 1/2	12	106	105	75	54
4	16	119	120	90	63
6	16	173	145	90	61
8	20	224	180	105	70
10	20	278	205	105	68
12	24	328	240	120	78
14	24	360	255	120	77
16	24	411	285	125	82

PIPE SIZE (NPS)	ROD SIZE "A"	"B"	"C"	"D"	"E"
18	30	462	325	150	96
20	30	512	350	150	96
22	30	563	375	150	96
24	36	614	415	175	110
26	36	665	440	175	110
28	36	716	465	175	109
30	36	766	490	175	109
32	42	817	530	195	124
34	42	868	555	195	123
36	42	919	580	195	123

		Title: STANDARD U-BOLT	Project: Contractor Doc. No. Owner Doc. No. Drawing No. A-01
			Sheet 1 / 1 Rev. 2