
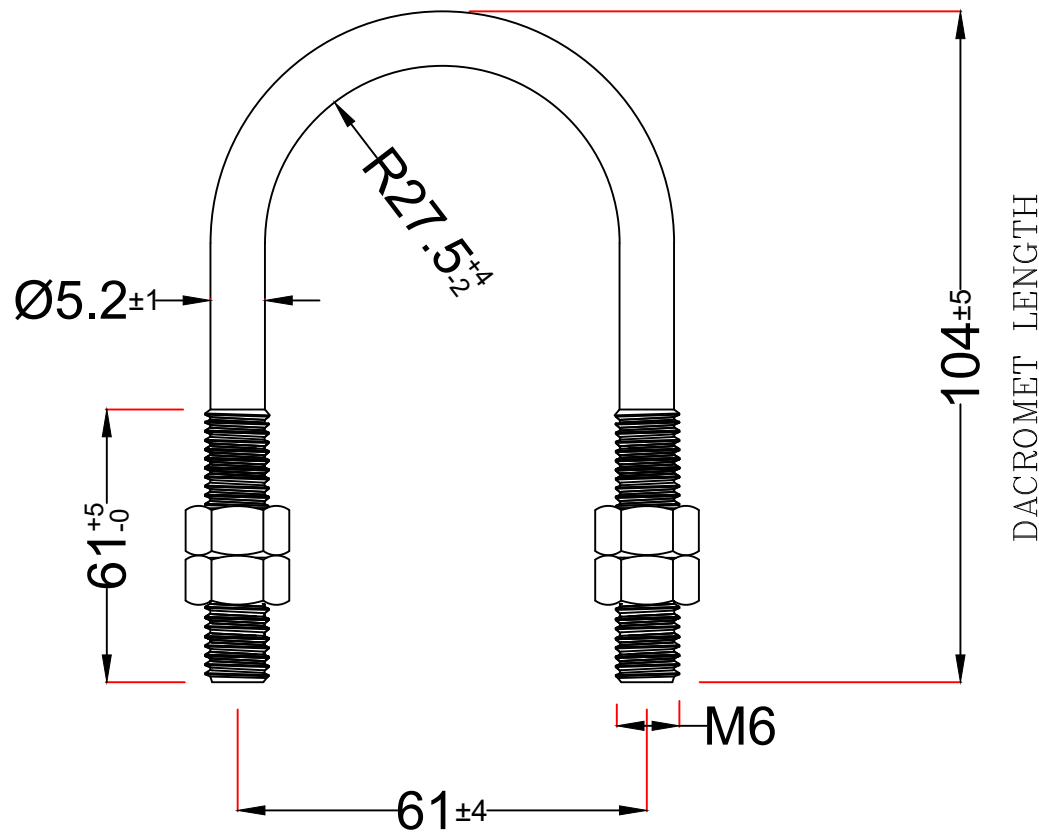


A-01-2"
QTY: 32 PCS


ALL DIMENSIONS ARE IN MILIMETERS

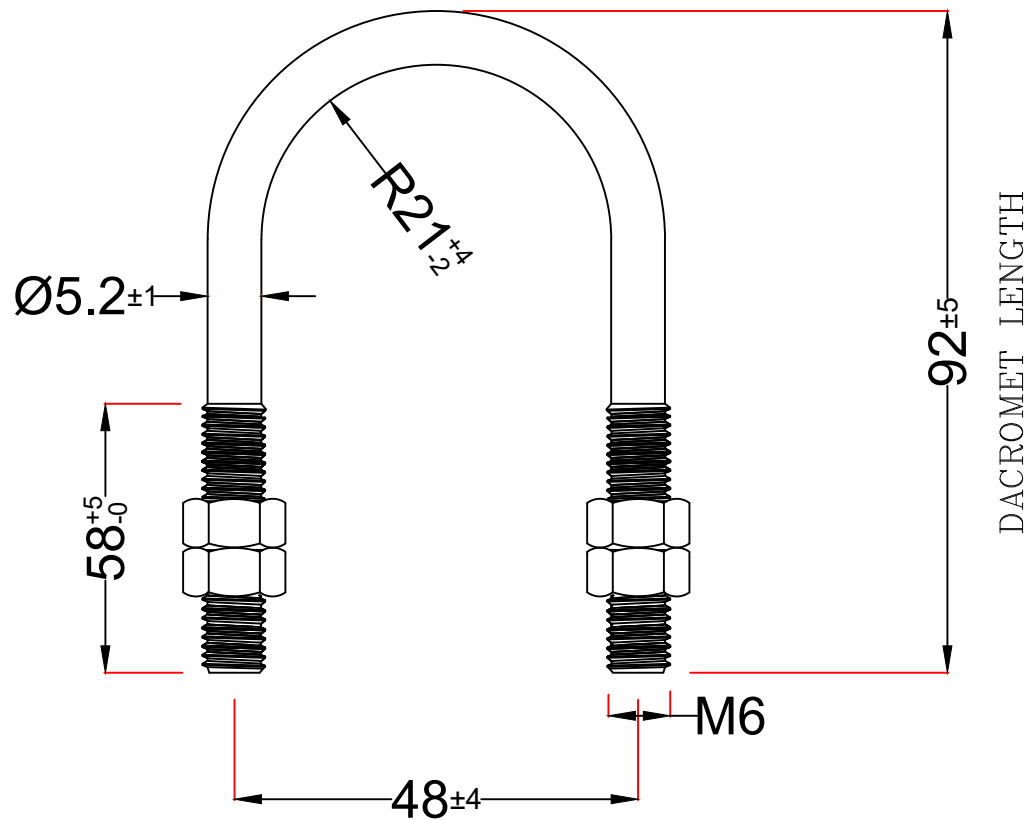
ITEM CODE				
1-U.BOLT MAT: A36 2-NUT STD: DIN934-A563 GR.5 3-NUT QTY: 4 PCS				
REFERENCED DRAWINGS				
TITLE			DWG. NO.	
NTI-HAMIAN.S.E-UB-XXXX-001				
ABBREVIATION & LEGEND				
Signature Location to Confirm:				
KEY PLAN				
00	2024-12-16	H. Ashori	F. TALIMI	BARZEGAR
REV	Date	Prep.	Chk.	App.
CLIENT:			CONTRACTOR:	
				
SCALE	SIZE	U.Bolt MAT&G.R		
1.1	A4	SEE NOTE A		
NO CONSTRUCTION PERMITTED UNLESS DRAWING APPROVED DOCUMENTARY INFORMATION				
QTY unit	Coating	DESCRIPTION	SHEET	
PCS	DACROMET	construction	1/7	



A-01-1.1/2"
 QTY: 20 PCS

ALL DIMENSIONS ARE IN MILIMETERS

ITEM CODE				
1-U.BOLT MAT: A36 2-NUT STD: DIN934-A563 GR.5 3-NUT QTY: 4 PCS				
REFERENCED DRAWINGS				
TITLE			DWG. NO.	
NTI-HAMIAN.S.E-UB-XXXX-002				
ABBREVIATION & LEGEND				
Signature Location to Confirm:				
KEY PLAN				
00	2024-12-16	H. Ashori	F. TALIMI	BARZEGAR
REV	Date	Prep.	Chk.	App.
CLIENT:			CONTRACTOR:	
			 NIKAN TECH IRANIAN	
SCALE	SIZE	U.Bolt MAT&G.R		
1:1	A4	SEE NOTE A		
NO CONSTRUCTION PERMITTED UNLESS DRAWING APPROVED DOCUMENTARY INFORMATION				
QTY unit	Coating	DESCRIPTION	SHEET	
PCS	DACROMET	construction	2/7	



A-01-1''
 QTY: 16 PCS

ALL DIMENSIONS ARE IN MILIMETERS

ITEM CODE

- 1-U.BOLT MAT: A36
- 2-NUT STD: DIN934-A563 GR.5
- 3-NUT QTY: 4 PCS

REFERENCED DRAWINGS

TITLE	DWG. NO.
-------	----------

NTI-HAMIAN.S.E-UB-XXXX-003	
----------------------------	--

ABBREVIATION & LEGEND

Signature Location to Confirm:

KEY PLAN

00	2024-12-16	H.Ashori	F.TALIMI	BARZEGAR
REV	Date	Prep.	Chk.	App.

CLIENT:

CONTRACTOR:

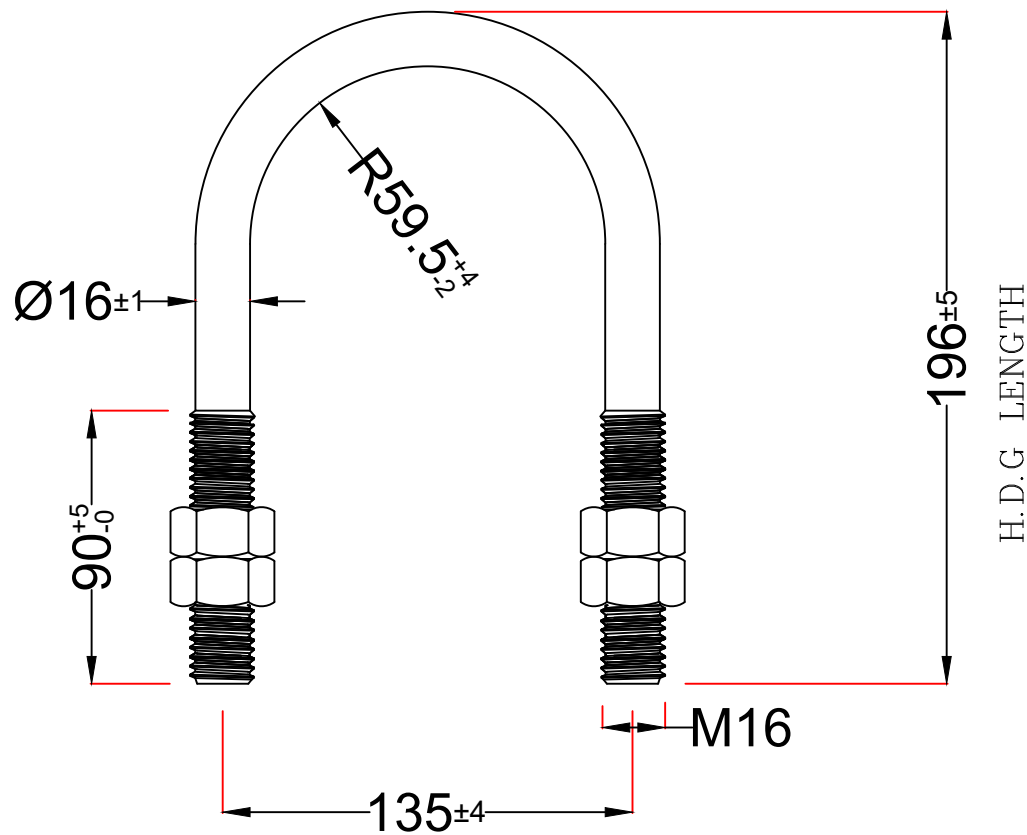


SCALE	SIZE	U.Bolt MAT&G.R
-------	------	----------------

1.1	A4	SEE NOTE A
-----	----	------------

NO CONSTRUCTION PERMITTED UNLESS DRAWING APPROVED DOCUMENTARY INFORMATION


QTY unit	Coating	DESCRIPTION	SHEET
pcs	DACROMET	construction	3/7

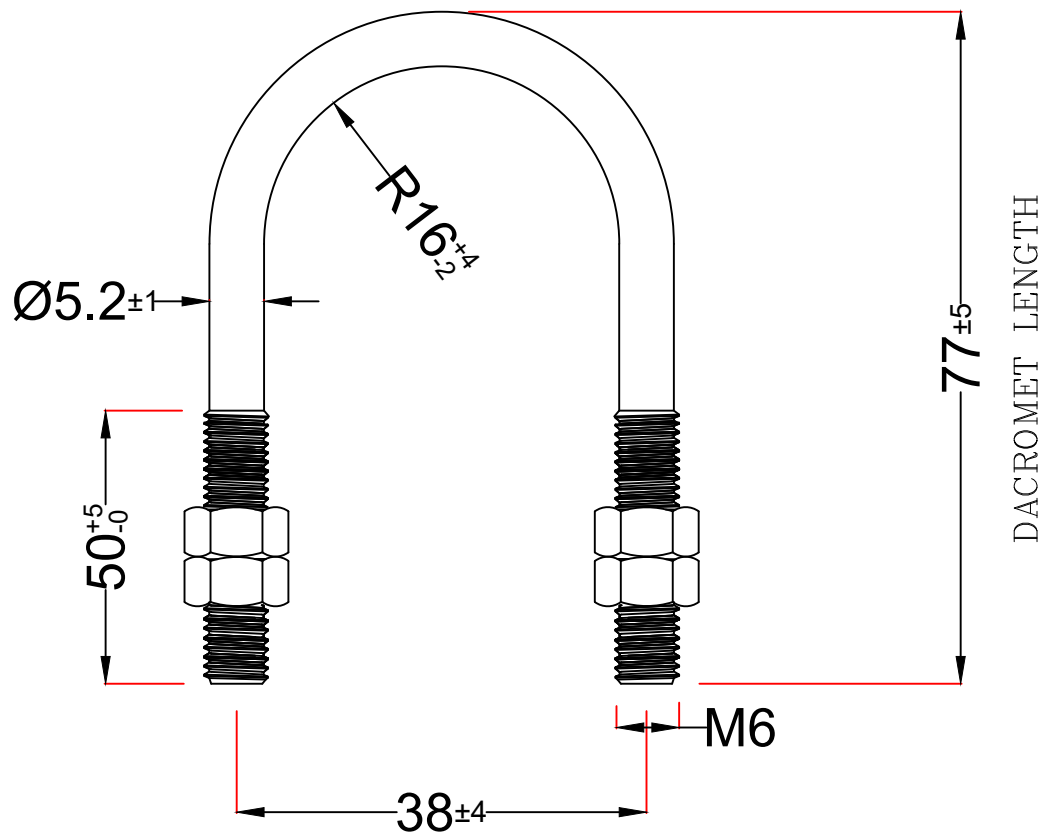


H.D.G LENGTH

A-01-4''
QTY: 4 PCS


ALL DIMENSIONS ARE IN MILIMETERS

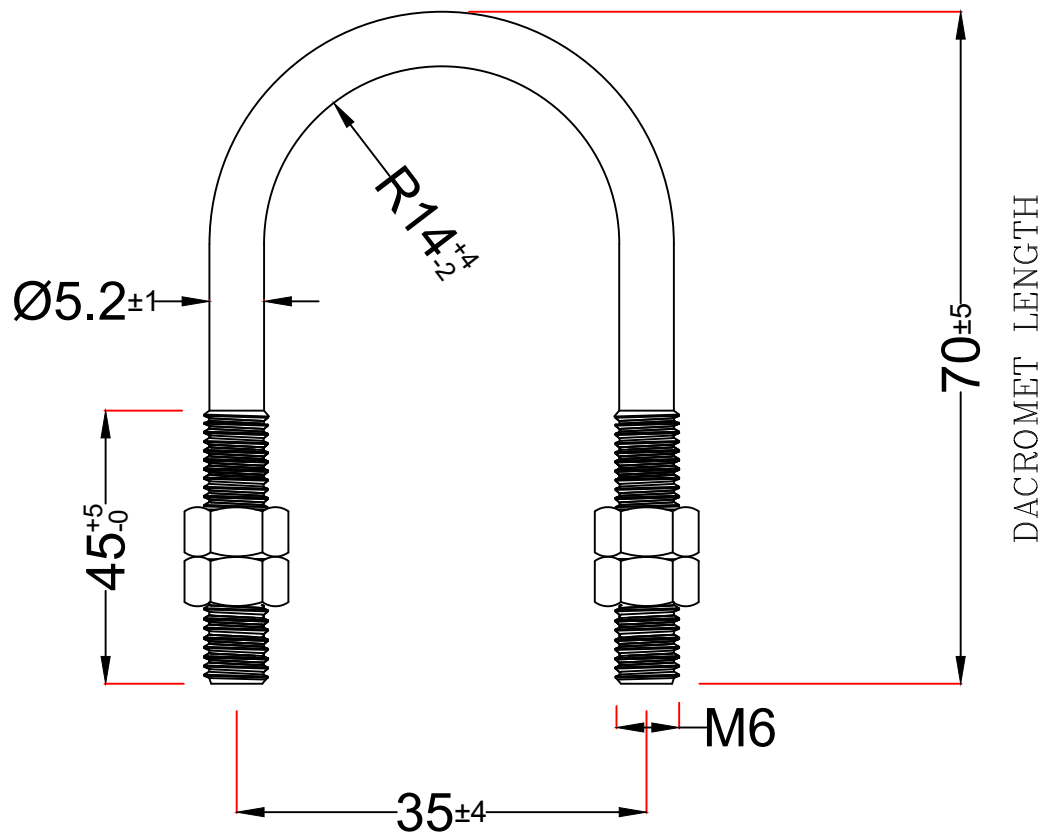
ITEM CODE				
1-U.BOLT MAT: A36				
2-NUT STD: DIN934-A563 GR.5				
3-NUT QTY: 4 PCS				
REFERENCED DRAWINGS				
TITLE			DWG. NO.	
NTI-HAMIAN.S.E-UB-XXXX-004				
ABBREVIATION & LEGEND				
Signature Location to Confirm:				
KEY PLAN				
00	2024-12-16	H.Ashori	F.TALIMI	BARZEGAR
REV	Date	Prep.	Chk.	App.
CLIENT:			CONTRACTOR:	
				
SCALE	SIZE	U.Bolt MAT&G.R		
1:1	A4	SEE NOTE A		
NO CONSTRUCTION PERMITTED UNLESS DRAWING APPROVED DOCUMENTARY INFORMATION				
QTY unit	Coating	DESCRIPTION	SHEET	
PCS	H.D.G	construction	4/7	



A-01-1/2"
 QTY: 18 PCS


ALL DIMENSIONS ARE IN MILLIMETERS

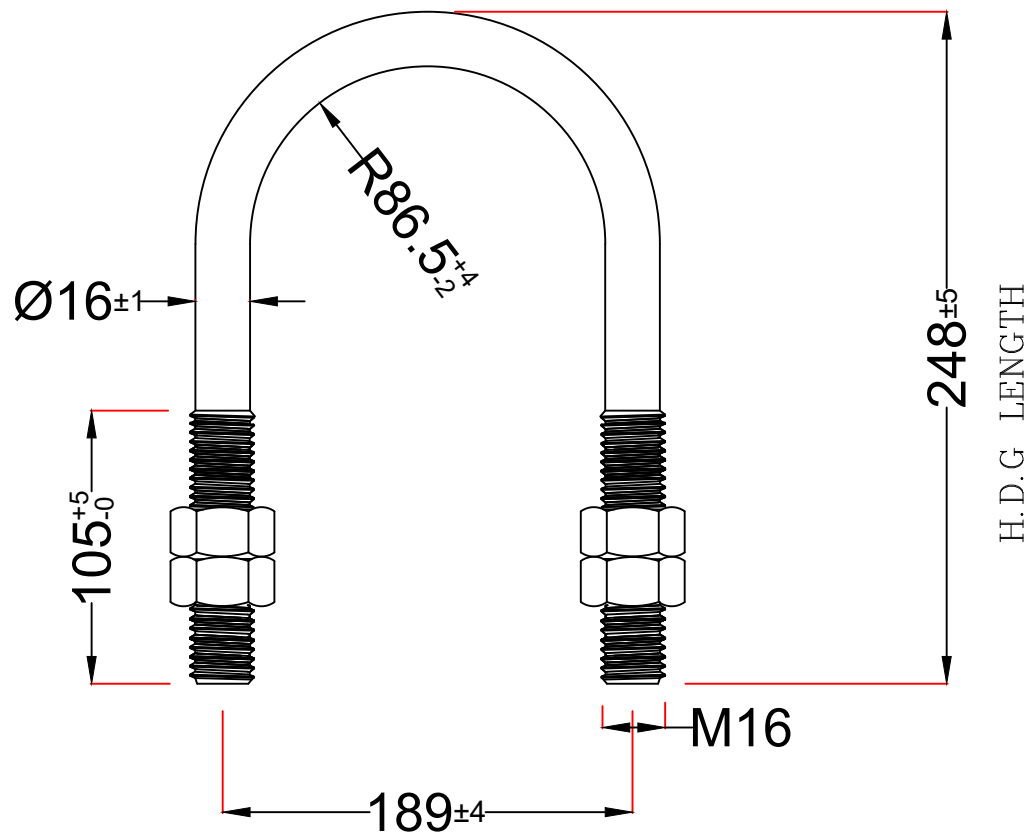
ITEM CODE				
1-U.BOLT MAT: A36 2-NUT STD: DIN934-A563 GR.5 3-NUT QTY: 4 PCS				
REFERENCED DRAWINGS				
TITLE			DWG. NO.	
NTI-HAMIAN.S.E-UB-XXXX-005				
ABBREVIATION & LEGEND				
Signature Location to Confirm:				
KEY PLAN				
00	2024-12-16	H. Ashori	F. TALIMI	BARZEGAR
REV	Date	Prep.	Chk.	App.
CLIENT:			CONTRACTOR:	
				
SCALE	SIZE	U.Bolt MAT&G.R		
1.1	A4	SEE NOTE A		
NO CONSTRUCTION PERMITTED UNLESS DRAWING APPROVED DOCUMENTARY INFORMATION				
QTY unit	Coating	DESCRIPTION	SHEET	
PCS	DACROMET	construction	5/7	



A-01-3/8"
 QTY: 10 PCS


ALL DIMENSIONS ARE IN MILIMETERS

ITEM CODE				
1-U.BOLT MAT: A36 2-NUT STD: DIN934-A563 GR.5 3-NUT QTY: 4 PCS				
REFERENCED DRAWINGS				
TITLE			DWG. NO.	
NTI-HAMIAN.S.E-UB-XXXX-006				
ABBREVIATION & LEGEND				
Signature Location to Confirm:				
KEY PLAN				
00	2024-12-16	H. Ashori	F. TALIMI	BARZEGAR
REV	Date	Prep.	Chk.	App.
CLIENT:			CONTRACTOR:	
			 NIKAN TECH IRANIAN	
SCALE	SIZE	U.Bolt MAT&G.R		
1.1	A4	SEE NOTE A		
NO CONSTRUCTION PERMITTED UNLESS DRAWING APPROVED DOCUMENTARY INFORMATION				
QTY unit	Coating	DESCRIPTION	SHEET	
PCS	DACROMET	construction	6/7	



A-01-6"
 QTY: 2 PCS

ALL DIMENSIONS ARE IN MILIMETERS

ITEM CODE				
1-U.BOLT MAT: A36 2-NUT STD: DIN934-A563 GR.5 3-NUT QTY: 4 PCS				
REFERENCED DRAWINGS				
TITLE			DWG. NO.	
NTI-HAMIAN.S.E-UB-XXXX-007				
ABBREVIATION & LEGEND				
Signature Location to Confirm:				
KEY PLAN				
00	2024-12-16	H. Ashori	F. TALIMI	BARZEGAR
REV	Date	Prep.	Chk.	App.
CLIENT:			CONTRACTOR:	
				
SCALE	SIZE	U.Bolt MAT&G.R		
1:1	A4	SEE NOTE A		
NO CONSTRUCTION PERMITTED UNLESS DRAWING APPROVED DOCUMENTARY INFORMATION				
QTY unit	Coating	DESCRIPTION	SHEET	
PCS	H.D.G	construction	7/7	