

A-01-2"  
QTY: 32 PCS

ALL DIMENSIONS ARE IN MILIMETERS



نیکان تک ایرانیان  
NIKAN TECH IRANIAN  
مجلسی خاص شماره ثبت ۳۶۵۸  
واحد مهندسی

ITEM CODE

- 1-U.BOLT MAT: A36
- 2-NUT STD: DIN934-A563 GR.5
- 3-NUT QTY: 4 PCS

REFERENCED DRAWINGS

TITLE DWG. NO.

NTI-HAMIAN.S.E-UB-XXXX-001

ABBREVIATION & LEGEND

Signature Location to  
Confirm:

KEY PLAN

REV	Date	Prep.	Chk.	App.
00	2024-12-16	H.Ashori	F.TALIMI	BARZEGAR

CLIENT:

CONTRACTOR:



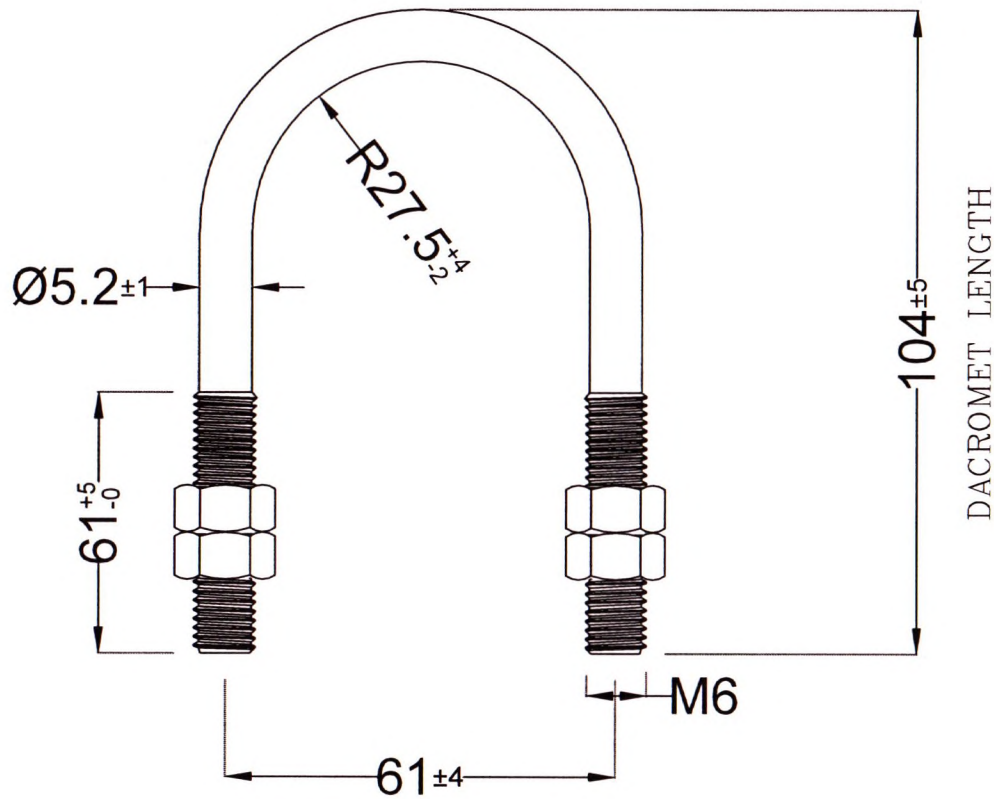
NIKAN TECH IRANIAN

SCALE SIZE U.Bolt MAT&G.R

1.1 A4 SEE NOTE A

NO CONSTRUCTION PERMITTED UNLESS DRAWING APPROVED  
DOCUMENTARY INFORMATION

QTY unit	Coating	DESCRIPTION	SHEET
pcs	DACROMET	construction	1/7



A-01-1.1/2"  
 QTY: 20 PCS



نیکن تیک ایرانیان  
 NIKAN TECH IRANIAN  
 شماره ثبت ۱۶۵۸  
 واحد مهندسی

ALL DIMENSIONS ARE IN MILIMETERS

ITEM CODE

- 1-U.BOLT MAT: A36
- 2-NUT STD: DIN934-A563 GR.5
- 3-NUT QTY: 4 PCS

REFERENCED DRAWINGS

TITLE DWG. NO.

NTI-HAMIAN.S.E-UB-XXXX-002

ABBREVIATION & LEGEND

Signature Location to Confirm:

KEY PLAN

00	2024-12-16	H.Ashori	F.TALIMI	BARZEGAR
REV	Date	Prep.	Chk.	App.

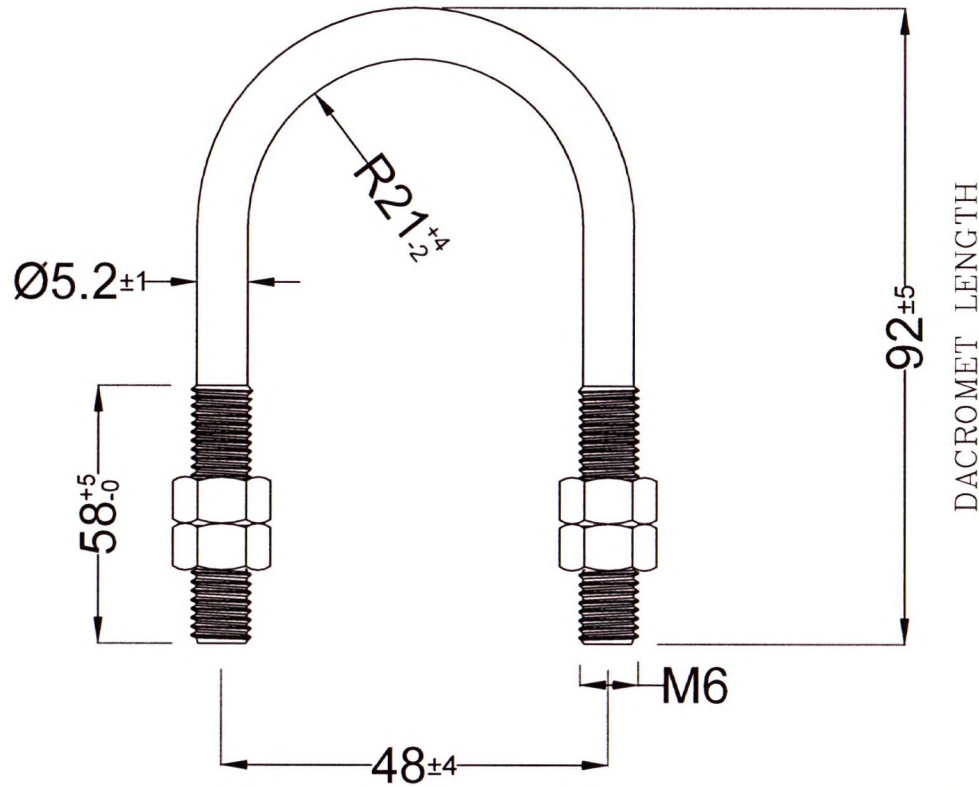
CLIENT:

CONTRACTOR:



NIKAN TECH IRANIAN

SCALE	SIZE	U.Bolt MAT&G.R	
1:1	A4	SEE NOTE A	
NO CONSTRUCTION PERMITTED UNLESS DRAWING APPROVED DOCUMENTARY INFORMATION			
QTY unit	Coating	DESCRIPTION	SHEET
PCS	DACROMET	construction	2/7



A-01-1"  
QTY: 16 PCS

ALL DIMENSIONS ARE IN MILIMETERS



ITEM CODE

- 1-U.BOLT MAT: A36
- 2-NUT STD: DIN934-A563 GR.5
- 3-NUT QTY: 4 PCS

REFERENCED DRAWINGS

TITLE	DWG. NO.
-------	----------

NTI-HAMIAN.S.E-UB-XXXX-003

ABBREVIATION & LEGEND

Signature Location to Confirm:

KEY PLAN


00	2024-12-16	H.Ashori	F.TALIMI	BARZEGAR
REV	Date	Prep.	Chk.	App.

CLIENT: CONTRACTOR:

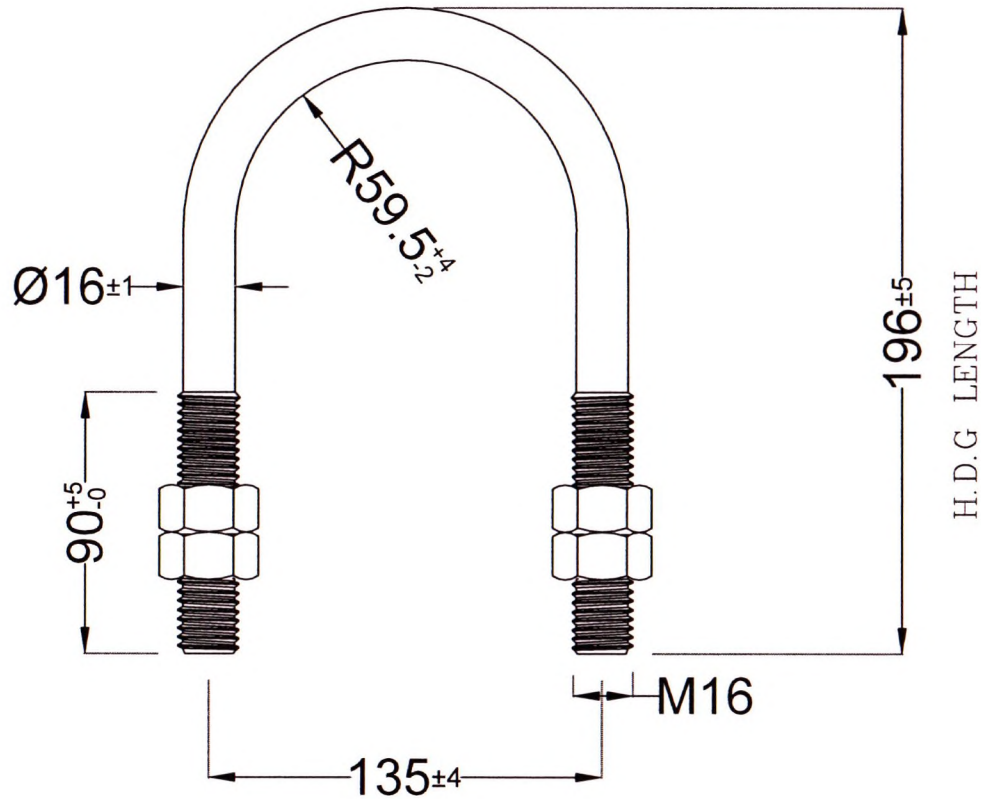


NIKAN TECH IRANIAN

SCALE	SIZE	U.Bolt MAT&G.R
1:1	A4	SEE NOTE A

NO CONSTRUCTION PERMITTED UNLESS DRAWING APPROVED DOCUMENTARY INFORMATION

QTY unit	Coating	DESCRIPTION	SHEET
pcs	DACROMET	construction	3/7



A-01-4"  
QTY: 4 PCS

ALL DIMENSIONS ARE IN MILIMETERS



سازمان سگ ایرانیان  
NIKAN TECH IRANIAN  
تاسیس شده در سال ۱۳۵۸  
داخدا تاسیلاسی

ITEM CODE

- 1-U.BOLT MAT: A36
- 2-NUT STD: DIN934-A563 GR.5
- 3-NUT QTY: 4 PCS

REFERENCED DRAWINGS

TITLE DWG. NO.


NTI-HAMIAN.S.E-UB-XXXX-004

ABBREVIATION & LEGEND

Signature Location to Confirm:

KEY PLAN

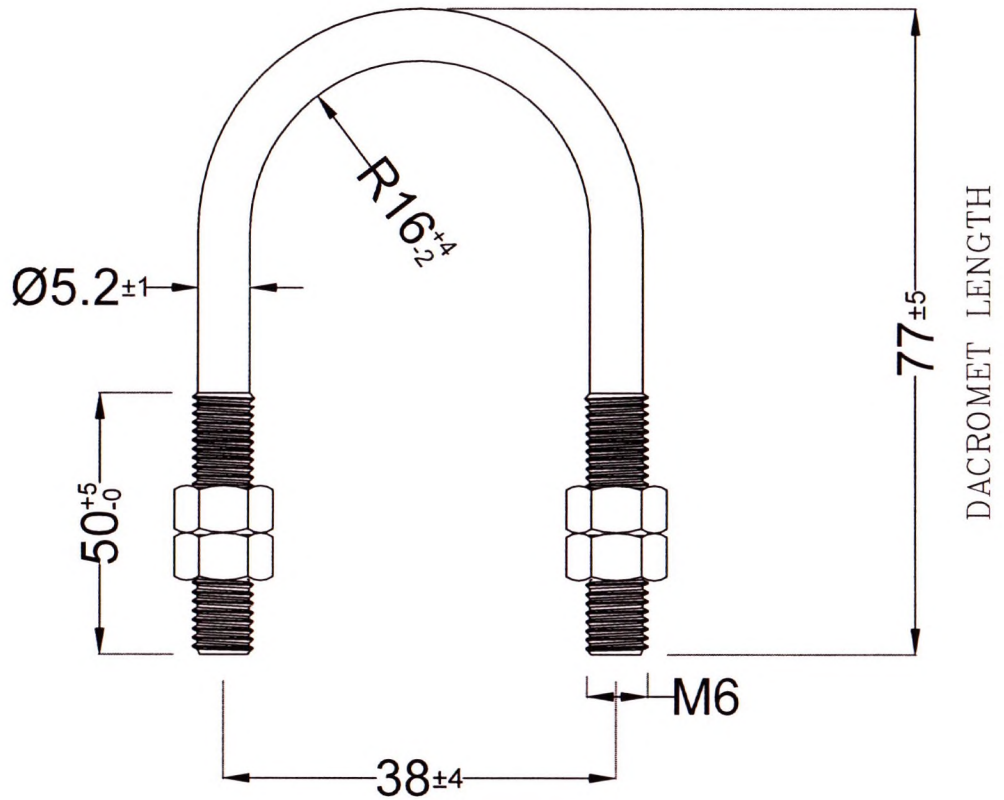

00	2024-12-16	H.Ashori	F.TALIMI	BARZEGAR
REV	Date	Prep.	Chk.	App.

CLIENT:	CONTRACTOR:
	 NIKAN TECH IRANIAN

SCALE	SIZE	U.Bolt MAT&G.R
1.1	A4	SEE NOTE A

NO CONSTRUCTION PERMITTED UNLESS DRAWING APPROVED DOCUMENTARY INFORMATION

QTY unit	Coating	DESCRIPTION	SHEET
pcs	H.D.G	construction	4/7



A-01-1/2"  
QTY: 18 PCS



سپکار تک ایرانیان  
NIKAN TECH IRANIAN  
سپانی خاص شماره ثبت ۲۶۵۸  
واحد مهندسی

ALL DIMENSIONS ARE IN MILIMETERS

ITEM CODE

- 1-U.BOLT MAT: A36
- 2-NUT STD: DIN934-A563 GR.5
- 3-NUT QTY: 4 PCS

REFERENCED DRAWINGS

TITLE	DWG. NO.
-------	----------

NTI-HAMIAN.S.E-UB-XXXX-005

ABBREVIATION & LEGEND


Signature Location to Confirm:

KEY PLAN

00	2024-12-16	H.Ashori	F.TALIMI	BARZEGAR
REV	Date	Prep.	Chk.	App.

CLIENT: \_\_\_\_\_

CONTRACTOR:

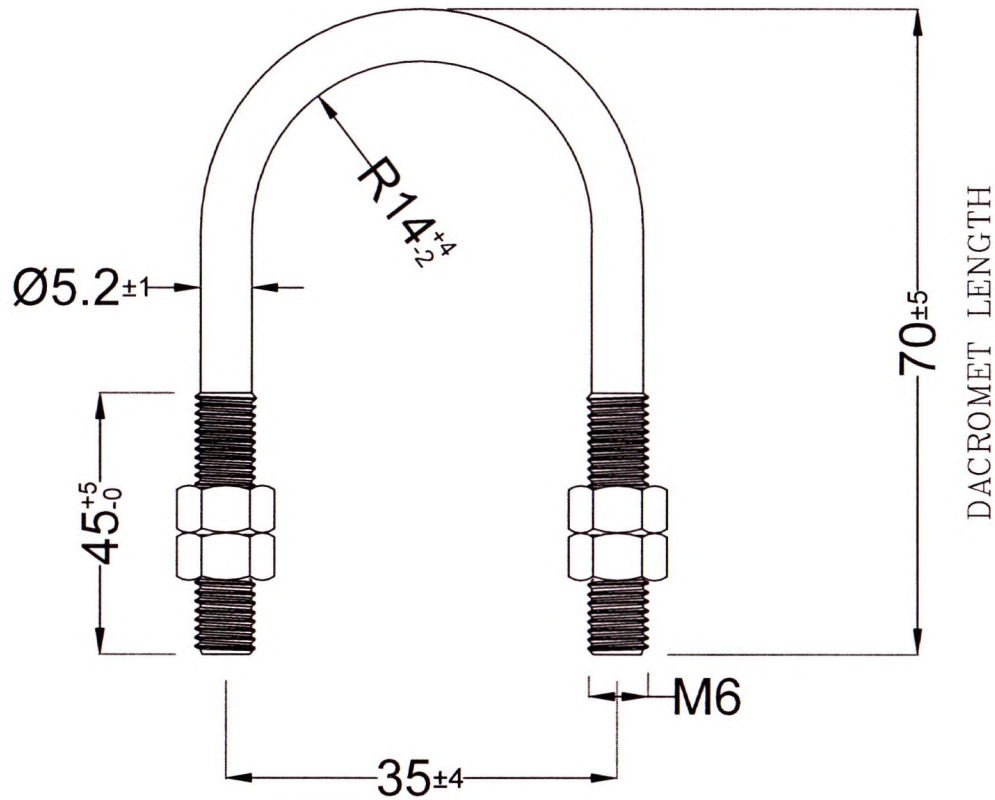


NIKAN TECH IRANIAN

SCALE	SIZE	U.Bolt MAT&G.R
1:1	A4	SEE NOTE A

NO CONSTRUCTION PERMITTED UNLESS DRAWING APPROVED DOCUMENTARY INFORMATION

QTY unit	Coating	DESCRIPTION	SHEET
pcs	DACROMET	construction	5/7




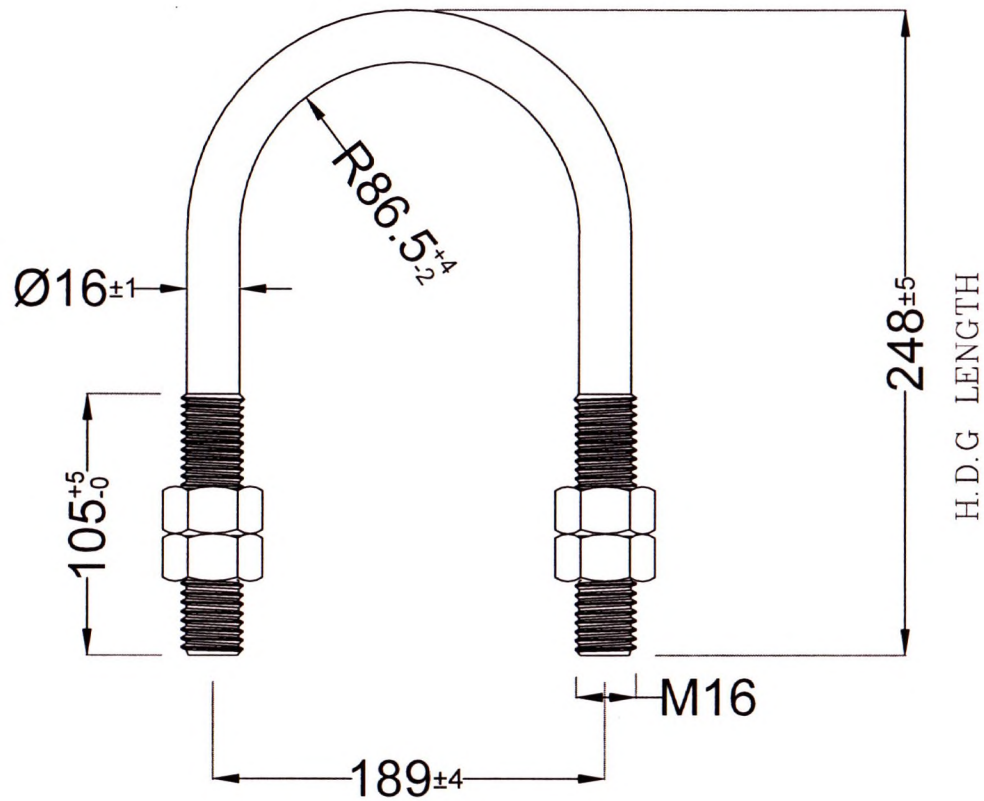
A-01-3/8"  
QTY: 10 PCS



نیکن تیک ایرانیاں  
NIKAN TECH IRANIAN  
سپاس شایسته سفارده سبب ۲۶۵۸  
دا احمد مهندسی

ALL DIMENSIONS ARE IN MILIMETERS

ITEM CODE				
1-U.BOLT MAT: A36				
2-NUT STD: DIN934-A563 GR.5				
3-NUT QTY: 4 PCS				
REFERENCED DRAWINGS				
TITLE			DWG. NO.	
NTI-HAMIAN.S.E-UB-XXXX-006				
ABBREVIATION & LEGEND				
Signature Location to Confirm:				
KEY PLAN				
00	2024-12-16	H.Ashori	F.TALIMI	BARZEGAR
REV	Date	Prep.	Chk.	App.
CLIENT:			CONTRACTOR:	
			 NIKAN TECH IRANIAN	
SCALE	SIZE	U.Bolt MAT&G.R		
1:1	A4	SEE NOTE A		
NO CONSTRUCTION PERMITTED UNLESS DRAWING APPROVED DOCUMENTARY INFORMATION				
QTY unit	Coating	DESCRIPTION	SHEET	
PCS	DACROMET	construction	6/7	



A-01-6"  
QTY: 2 PCS

ALL DIMENSIONS ARE IN MILIMETERS



نیکان تک ایرانیان  
NIKAN TECH IRANIAN  
سازمان تخصصی  
مهندسی

ITEM CODE

- 1-U.BOLT MAT: A36
- 2-NUT STD: DIN934-A563 GR.5
- 3-NUT QTY: 4 PCS

REFERENCED DRAWINGS

TITLE DWG. NO.


NTI-HAMIAN.S.E-UB-XXXX-007

ABBREVIATION & LEGEND

Signature Location to Confirm:

KEY PLAN


00	2024-12-16	H.Ashori	F.TALIMI	BARZEGAR
REV	Date	Prep.	Chk.	App.

CLIENT:	CONTRACTOR:
	 NIKAN TECH IRANIAN

SCALE	SIZE	U.Bolt MAT&G.R
1:1	A4	SEE NOTE A

NO CONSTRUCTION PERMITTED UNLESS DRAWING APPROVED DOCUMENTARY INFORMATION

QTY unit	Coating	DESCRIPTION	SHEET
pcs	H.D.G	construction	7/7