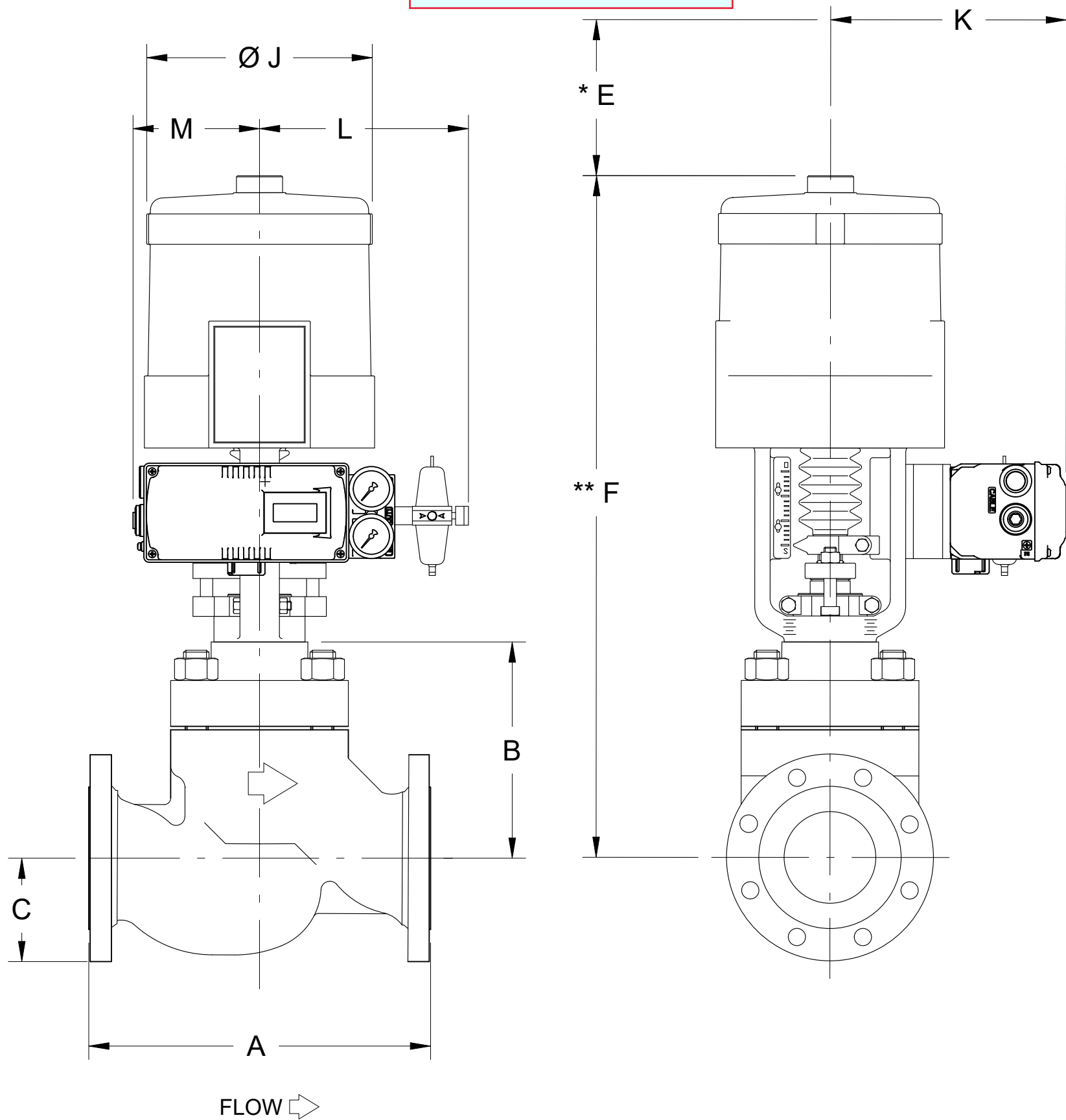


Valve Name plate drawing and Actuator Name Plate Drawing to be added.



	A	B	C	E	F	J	K	L	M	Weight
[mm]	197	97	63	100	477	163	230	270	170	23 kg

** - MAXIMUM DIMENSION OF ASSEMBLY
 * - DISASSEMBLY / MAINTENANCE CLEARANCE

Note: Dimensions are certified correct per associated specification sheet. End connections and scaling may not be actual. For accessory information, see associated specification sheet.



CERTIFIED DIMENSIONAL DRAWING

RF, ASME B16.5

CUSTOMER: DELTA GMBH				P.O. NUMBER: 2024-PO-200			DRAWING NUMBER: 800302-GAD-001				
MODEL: G-Stream / Globe		SIZE: DN 1"		RATING / F/F/STD: CL. 300 ISA S75.08.01		END CONNECTION: INTEGRAL FLANGE RF		ACTUATOR: L-Act 25		PROJECTION	
REVISION DESCRIPTION: First issue						SERIAL NUMBER: 800302-001-02			SHEET: 1		
DATE: 29/08/2024		REVISION: 00		DRAWN: N.Bhatiya		APPROV.: D.Ciriolo		ITEM: 001		VALVE TAG: LCV-RU0001A-B	
									PROJECT: BOC		

