



ELECTRICAL OIL HEATER DATASHEET

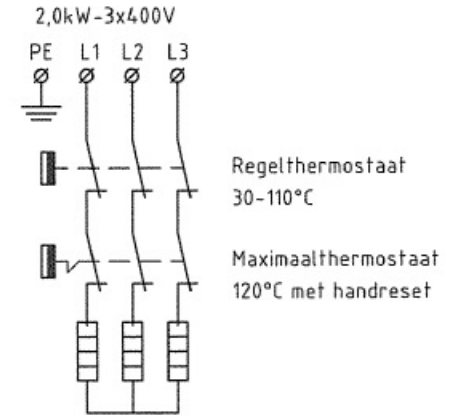
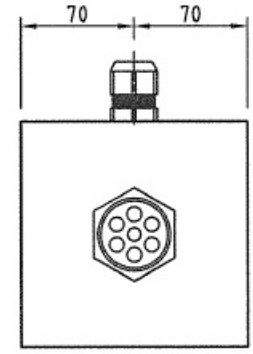
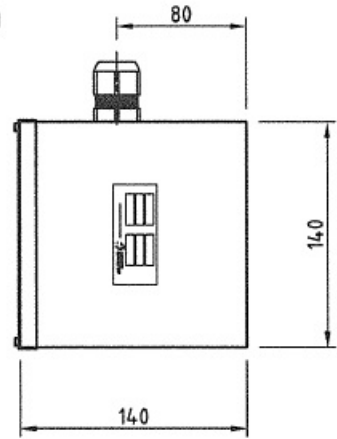
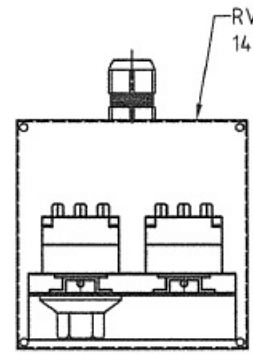
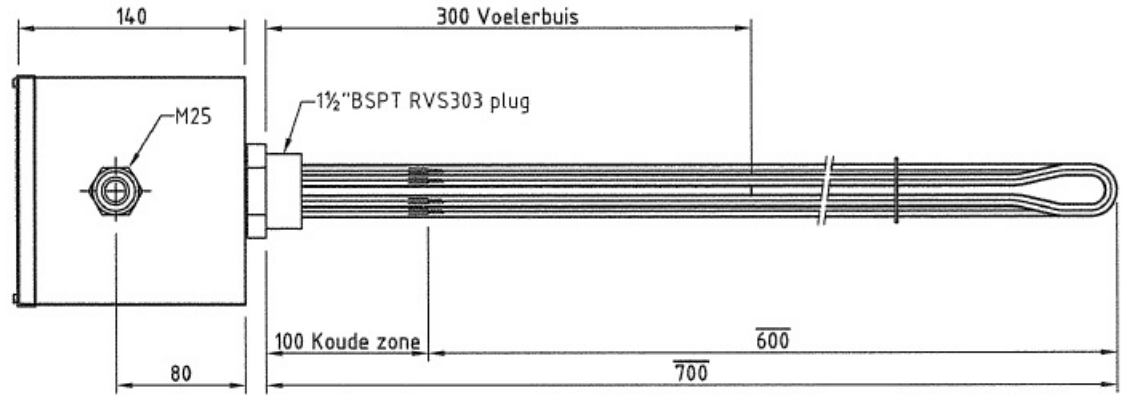
PROJECT SPECIFICATION

Rev : 0
 Sheet : 1 of 1
 By : YAB / KVE

REV.

1	TAG NO.	30	
2	QUANTITY	1 pc/ oil separator	
3	DUTY	standstill heating	
4	MANUFACTURER	Jac De Vries	
5	TYPE/MODEL NO.	ISE 2,0 kW 3x400Volt	
6	MEDIUM	OIL	
7	DESIGN PRESSURE / DESIGN TEMPERATURE	-1 to 30 BarG / 120 °C	
8	HEATING CAPACITY	2 kW / heater	
9	SUPPLY VOLTAGE / PHASE / FREQUENCY	400 V / 3 ph / 50 Hz	
10	INSTALLED LENGTH L	700mm	
11	UNHEATED LENGTH Lu	100mm	
12	TERMINIAL BOX STAND OFF	0 mm	
13	FLANGE	NA	
14	NOZZLE	1 1/2" BSPT	
15	CONTROLS: TEMPERATURE REGULATOR	THERMOSTAT RANGE (30/110°C), recommended setting 45°C	
16	TEMPERATURE LIMITER	MANUAL RESET OVER-TEMP LIMIT THERMOSTAT AT +120°C	
17	CABLE GLANDS: POWER CONNECTION	1 X M25X1.5	
18	CONTROL CONNECTION	NA	
19	WEIGHT :	3 kg	
20	ENCLOSURE	IP66	
21	ATEX PROTECTION	NA	
22	ANTI CONDENSATION HEATER	NA	
NOTES			

Let op: Diameter voelerbuis Ø9,5 lengte 300mm



Benaming: ISE 2,0kW 3x400Volt RVS Plug & Behuizing IP 65		Tekening No. ISE 2kW-3x400V	
Artikel:	Schaal:	Blad van 1	Rev.nr. A
Get.:	Maafteenh.: mm		

