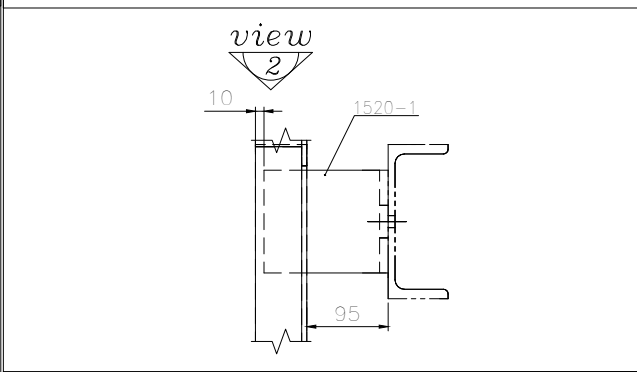
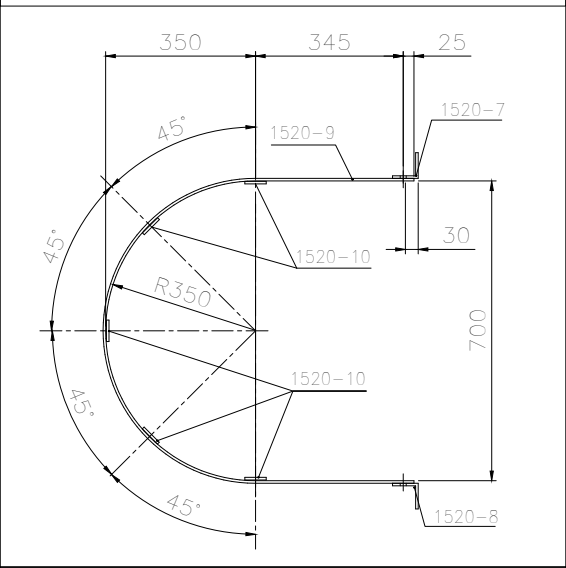
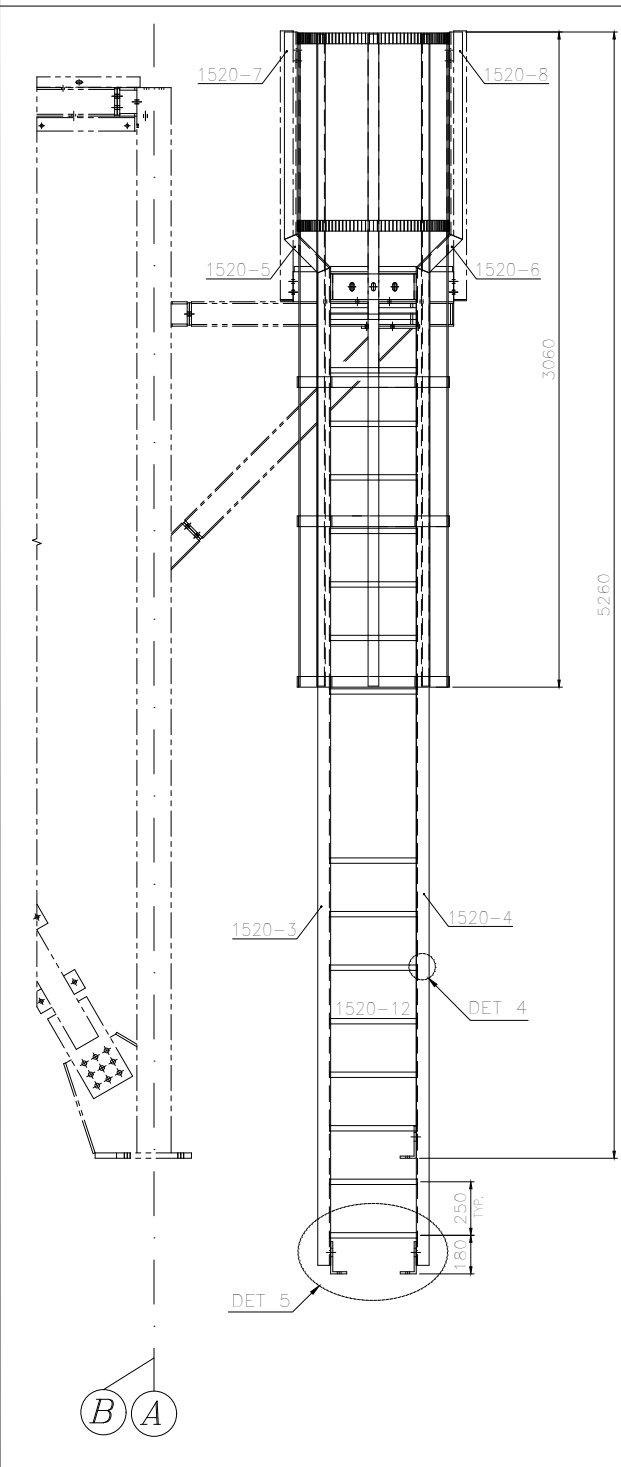
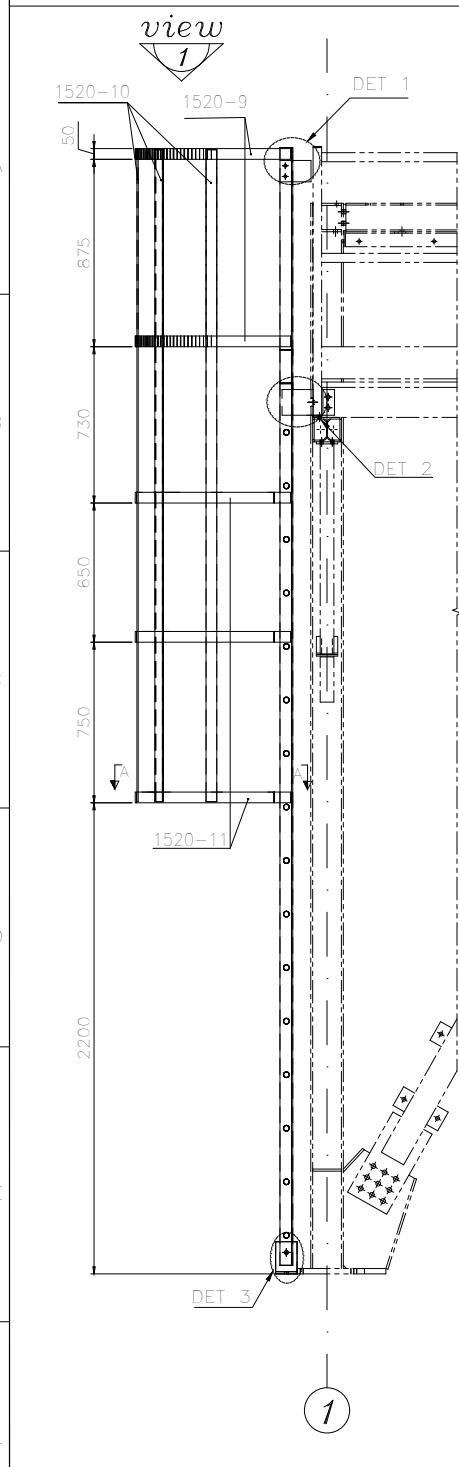


FRONT VIEW

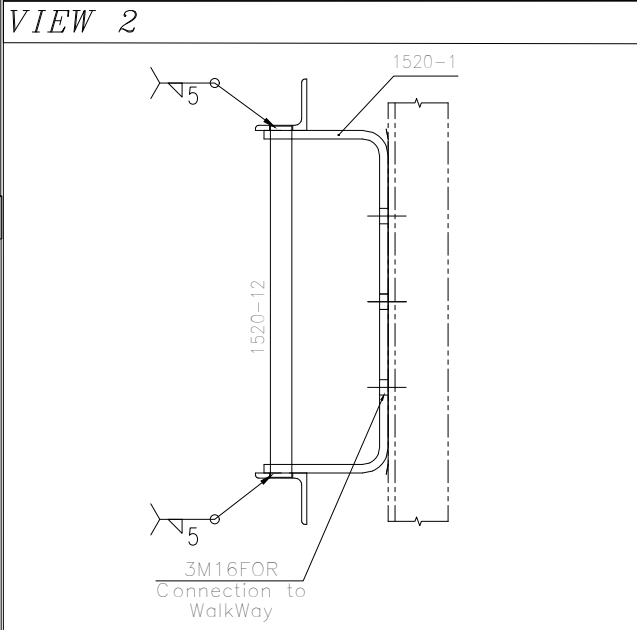
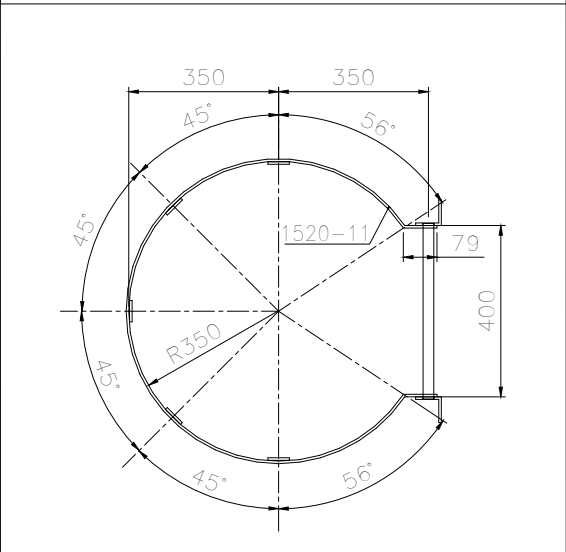
SIDE VIEW

VIEW 1

DET 2

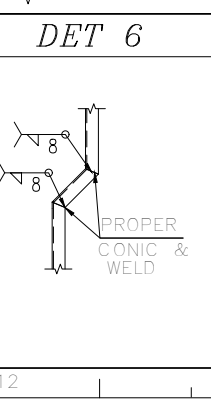
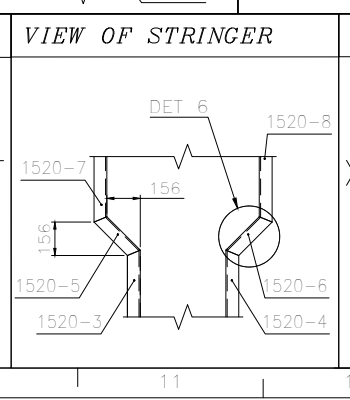
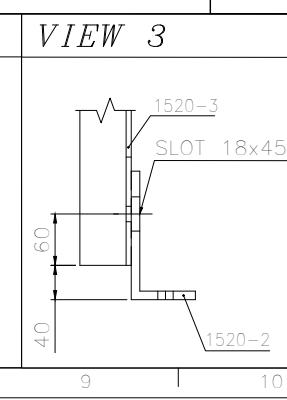
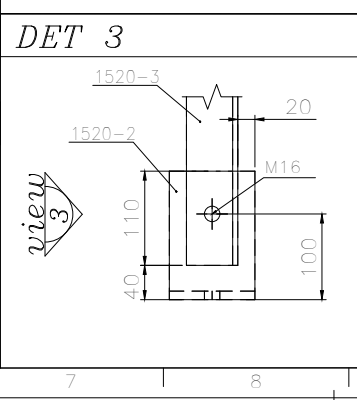
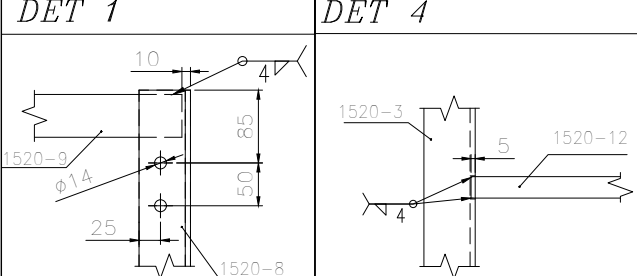
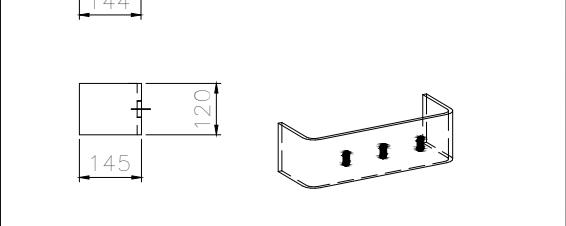
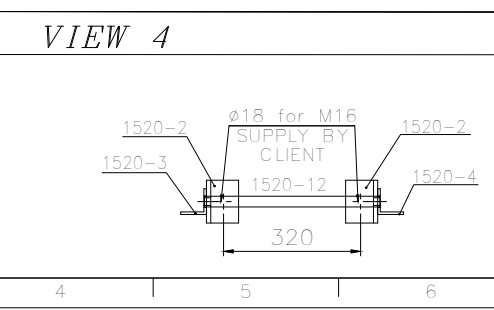
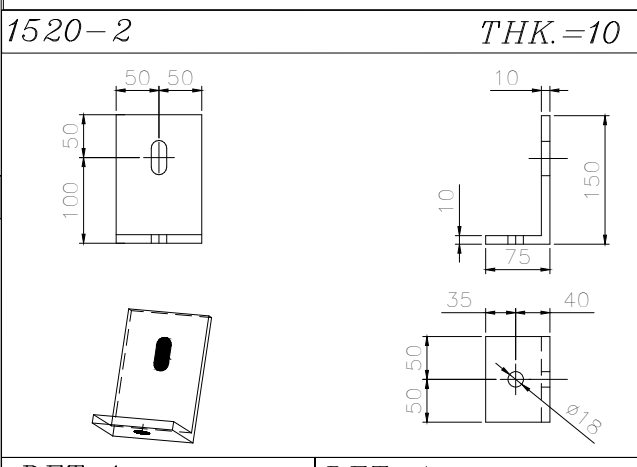
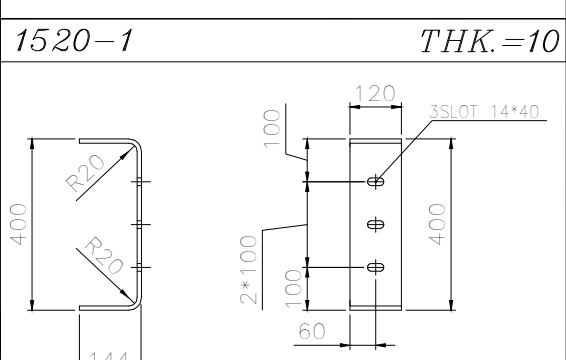
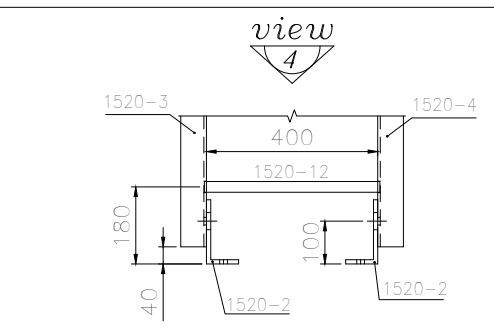
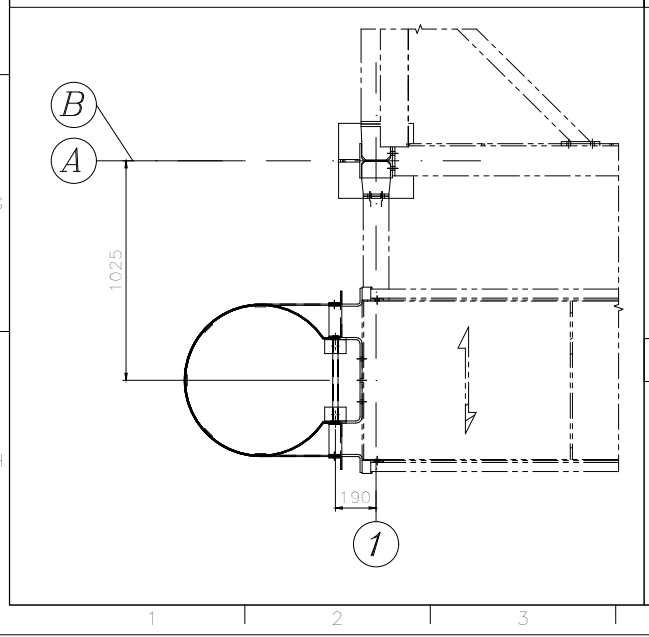


SEC A



TOP VIEW

DET 5



total ladder : 4											
PART LIST For 1 ladder											
PART NO	DESCRIPTION	PROFILE	DIMENSION				MATERIAL	QTY.	UNIT WEIGHT (kg)	TOTAL WEIGHT (kg)	REV.
			DIA (mm)	LENGT H (mm)	WIDTH (mm)	THK (mm)					
1520-1	CONCTION TO WALKWAY	PLATE	633	120	10	ST-37(Painted)	1	6.1	6.1		
1520-2	EARTH SUPPORT	PLATE	215	100	10	ST-37(Painted)	2	1.7	3.4		
1520-3	STRINGER	PLATE	4120	-	-	ST-37(Painted)	1	22.3	22.3		
1520-4	STRINGER	PLATE	4120	-	-	ST-37(Painted)	1	22.3	22.3		
1520-5	STRINGER	PLATE	245	-	-	ST-37(Painted)	1	1.3	1.3		
1520-6	STRINGER	PLATE	245	-	-	ST-37(Painted)	1	1.3	1.3		
1520-7	STRINGER	PLATE	969	-	-	ST-37(Painted)	1	5.3	5.3		
1520-8	STRINGER	PLATE	969	-	-	ST-37(Painted)	1	5.3	5.3		
1520-9	TOP HOOP	PLATE	1849	50	6	ST-37(Painted)	2	4.4	8.8		
1520-10	VERTICAL BAR	PLATE	3045	50	6	ST-37(Painted)	5	7.2	36		
1520-11	BOT HOOP	PLATE	1939	50	6	ST-37(Painted)	3	4.6	13.8		
1520-12	RUNG	ROD25	25	410	-	ST-37(Painted)	16	1.5	24		
Total weight(kg)									149.9		

LIST of bolts & nuts 2 washer For 1 ladder										
DESCRIPTION	PROFILE	DIA (mm)	LENGT H (mm)	WIDTH (mm)	THK (mm)	MATERIAL	QTY.	UNIT WEIGHT (kg)	TOTAL WEIGHT (kg)	REV.
1590-2	for HANDRAIL CONNECTION	-	M12	-	-	DIN 934-8 (Chromet)	4	-	-	
1590-3	-	A13	-	-	-	DIN 125 A5T (Chromet)	8	-	-	
1590-4	for WALKWAY FRAME CONNECTION	-	M16	45	-	DIN 934-8 (Chromet)	3	-	-	
1590-5	for WALKWAY FRAME CONNECTION	-	M16	-	-	DIN 934-8 (Chromet)	3	-	-	
1590-6	-	A17	-	-	-	DIN 125 A5T (Chromet)	6	-	-	
1590-7	-	M16	45	-	-	DIN 934-8 (Chromet)	2	-	-	
1590-8	for CONNECTION to EARTH SUPPORT	-	M16	-	-	DIN 934-8 (Chromet)	2	-	-	
1590-9	-	A17	-	-	-	DIN 125 A5T (Chromet)	4	-	-	

NOTES:
 1- ALL DIMENSIONS ARE IN MILLIMETER .
 2- ALL PARTS SHALL PAINTED ACCORDING TO EI027-DMF-VD-QC-PRO-024
 3- BOLTS & NUTS & WASHERS SHALL BE HOT DIP GALVANIZED IN ACCORDANCE WITH ASTM - A153 OR EN ISO 1461
 4- WELD: CONTINUOUS WELD.
 MIN. HEIGHT OF FILLET WELD = 0.7 x MIN. THK.
 < MAX. THK. , IF MAX.THK.< 7mm
 < MAX.THK.1.5 , IF MAX.THK.> 7mm

TOLERANCES					
THE FOLLOWING VALUES ARE APPLICABLE TO THE DIMENSIONS THAT ARE NOT PROVIDED WITH TOLERANCES ON DRAWING					
NOMINAL DIMENSIONS PER MILLIMETER STEPS	0	201	801	2001	5001
TOLERANCES	± 0.2	± 0.3	± 0.5	± 0.6	± 0.7
TOLERANCE ON CENTER DISTANCES ± 1.5					
THE TOLERANCES SHOWN HERE ARE NOT CUMULATIVE					

General Arrangement Drawing	1158-A01-1000-00	EI027-DMF-VD-ME-DWG-003
Steel Structure Drawing	1158-A01-1100-00	EI027-DMF-VD-ST-DWG-013
Header Walkway Drawing	1158-A01-1210-00	EI027-DMF-VD-ST-DWG-014

RD	10/06/2024	ISSUED FOR APPROVAL	J.M.	J.B.L.	J.R.L.	AGHZ
REV	DATE	DESCRIPTION	DRAWN BY	CHECKED BY	APPROVED BY	FINAL APPROVED BY

CLIENT: **ENBR TEKNOLOJI**

CONTRACTOR: **dt Damafin thermal technology**
 Factory : Km 14 special Karaj road

PROJECT : AIR COOLER FOR Toase-ehe Park Sanati Gohar Ofogh Petrochemical Co.
 Ladder Drawing
 1158-A01-1520-00

DWG. NO. EI027-DMF-VD-ST-DWG-015
 SCALE : NTS SIZE : A3 REV : R0

THIS DOCUMENT OF A CONFIDENTIAL NATURE IS THE PROPERTY OF DAMAFIN AND SHALL NOT BE REPRODUCED IN ANY MANNER, NOR USED FOR ANY PURPOSE WHAT SO EVER, EXCEPT BY WRITTEN PERMISSION OF DAMAFIN.