

MANUFACTURED FOR	HAMIAN SANAT ENERGY	
NAME OF CONTRACTOR	DAMAFIN THERMAL TECHNOLOGY CO.	
EQUIPMENT	AIR COOLER	
EQUIPMENT SERVICE	PROPANE	
MFR'S SERIAL NO. / YEAR BUILT	1158-A01-2000-00	2024
MDMT (°C)	-45	
IN/OUT TEMPERATURE (TUBE SIDE) (°C)	73.5 / 56.32	
IN/OUT TEMPERATURE (AIR SIDE) (°C)	48 / 45.529	
SURFACE AREA (FINNED TUBE) (m <sup>2</sup> )	1579.2	

	HEADER	TUBE
DESIGN PRESSURE bar(g)	22+F.V.	22+F.V.
DESIGN TEMPERATURE (°C)	120	120
HYD. TEST PRESSURE bar(g)	28.6	28.6
MATERIAL	SA-516 Gr.70N+IMPACT TEST	SA-334 Gr.6
CORROSION ALLOWANCE (mm)	3	-
RADIOGRAPHY	YES	-
P.W.H.T.	YES	-
CAPACITY (m <sup>3</sup> )	0.480	
FLUID	PROPANE	
TUBE BUNDLE+FRAME WT. (EMPTY) (Kg)	4013	
TUBE BUNDLE+FRAME WT. (HYD) (Kg)	4493	

CODES
ASME VIII-DIV.1
API 661

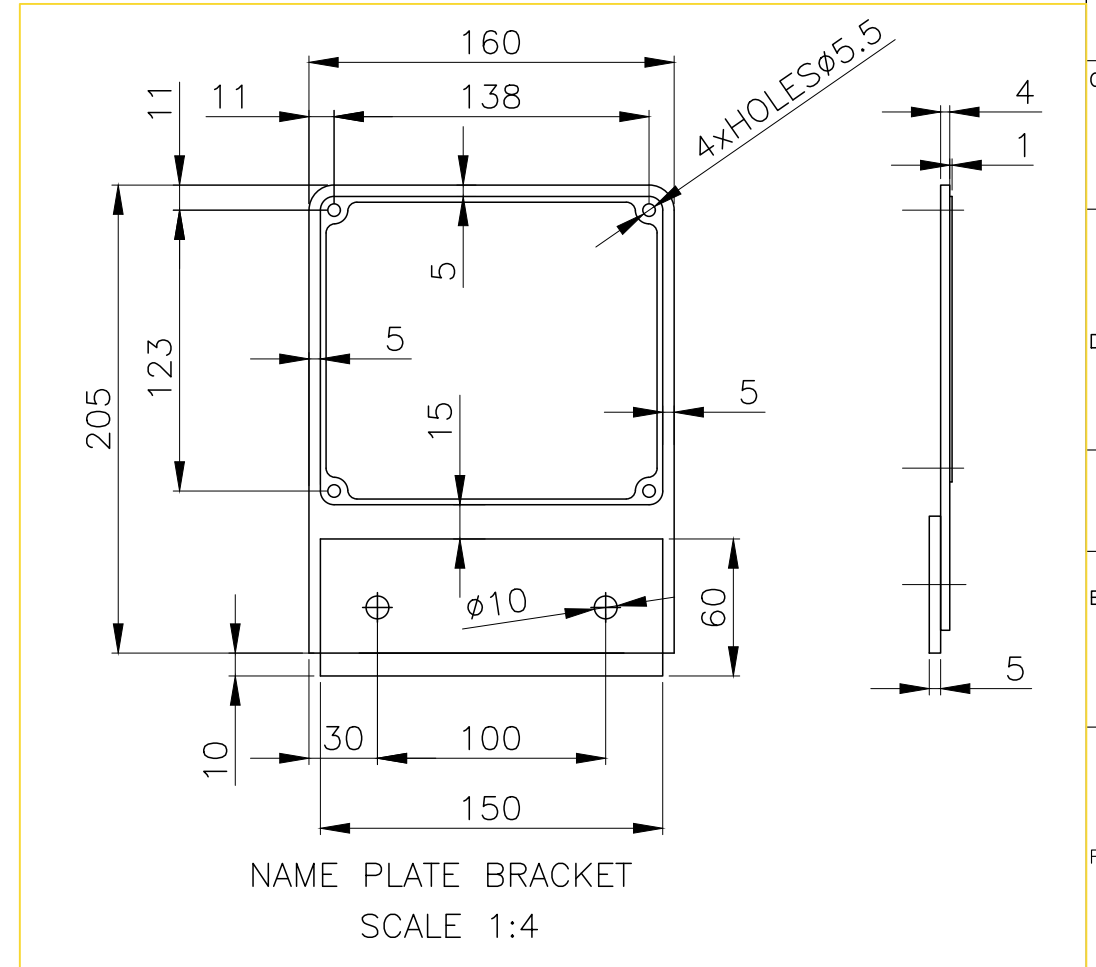
PART NO.	DESCRIPTION	DIMENSIONS				MATERIAL	QTY.	UNIT WEIGHT (Kg)	TOTAL WEIGHT (Kg)
		DIA. (mm)	LENGTH (mm)	WIDTH (mm)	THK. (mm)				
2020-01	NAME PLATE	-	150	135	1	S.S.304	2	0.16	0.3
2020-03	NAME PLATE BRACKET	-	160	205	4	C.S	2	1.03	2.1
2020-04	RIVET FOR NAME PLATE	5	11	-	-	AL-S.S	8	-	-
2020-06	BOLT	-	M8	22	-	DIN-933-CL.8.8(GALV.)	4	-	-
2020-07	NUT	-	M8	-	-	DIN-934-CL.8(GALV.)	4	-	-
2020-08	WASHER	-	A9	-	-	DIN-128A-ST(GALV.)	8	-	-

NOTE

1-ALL DIMENSIONS ARE IN MM UNLESS OTHERWISE SPECIFIED.

2-ALL LETTERS , BLOCKS , AS WELL AS EDGES , SHALL HAVE RAISED POLISHED FACE - RELIEF 0.5mm APPROX.

3-BLACK BACKGROUND



R3	12/04/2025	ISSUED FOR APPROVAL	SH.S	J.B.L	J.B.L	A.GHZ
R2	09/04/2025	ISSUED FOR APPROVAL	SH.S	J.B.L	J.B.L	A.GHZ
R1	10/15/2024	ISSUED FOR APPROVAL	SH.S	J.B.L	J.B.L	A.GHZ
R0	10/07/2024	ISSUED FOR APPROVAL	F.SZ	F.A.	J.B.L	A.GHZ
REV	DATE	DESCRIPTION	DRAWN BY	CHECKED BY	APPROVED BY	FINAL APPROVED BY

CLIENT: **ENBR TEKNOLOJI**

CONTRACTOR: **DTT Damafin thermal technology**

PROJECT: **AIR COOLER FOR Toase-che Park Sanati Gohar Ofogh Petrochemical Co.**  
Name Plate Drawing  
1158-A01-2403-00

DWG. NO. E1027-DMF-VD-ME-DWG-012  
SCALE: N.T.S. SIZE: A3 REV: R3

Factory : Km 14 special Karaj road

THIS DOCUMENT OF A CONFIDENTIAL NATURE IS THE PROPERTY OF DAMAFIN AND SHALL NOT BE REPRODUCED IN ANY MANNER, NOR USED FOR ANY PURPOSE WHATSOEVER, EXCEPT BY WRITTEN PERMISSION OF DAMAFIN.