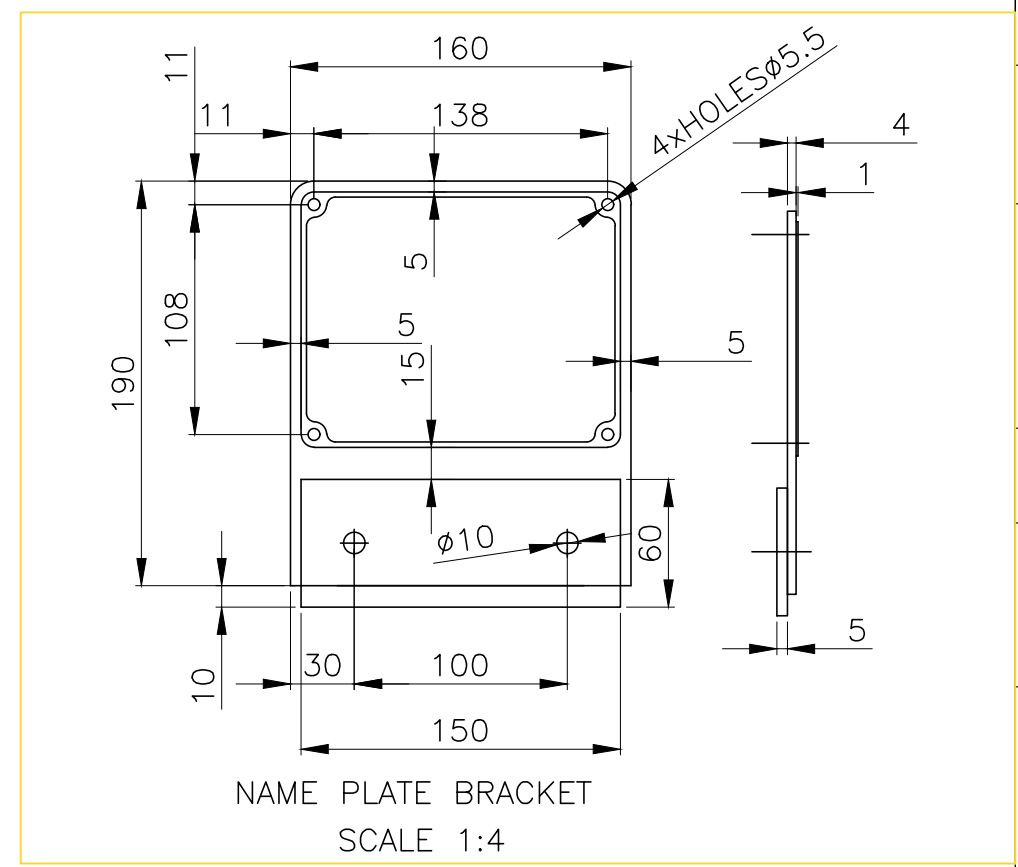


PART NO.	DESCRIPTION	DIMENSIONS				MATERIAL	QTY.	UNT WEIGHT (Kg)	TOTAL WEIGHT (Kg)
		DIA. (mm)	LENGTH (mm)	WIDTH (mm)	THK (mm)				
2020-01	NAME PLATE	-	150	120	1	S.S.304	2	0.14	0.3
2020-03	NAME PLATE BRACKET	-	190	160	4	C.S	2	0.95	1.9
2020-04	RIVET FOR NAME PLATE	5	11	-	-	AL-S.S	8	-	-
2020-06	BOLT	-	M8	22	-	DIN-933-CL.8.8(GALV.)	4	-	-
2020-07	NUT	-	M8	-	-	DIN-934-CL.8(GALV.)	4	-	-
2020-08	WASHER	-	A9	-	-	DIN-128A-ST(GALV.)	8	-	-

NOTE

- 1-ALL DIMENSIONS ARE IN MM UNLESS OTHERWISE SPECIFIED.
- 2-ALL LETTERS , BLOCKS , AS WELL AS EDGES , SHALL HAVE RAISED POLISHED FACE - RELIEF 0.5mm APPROX.
- 3-BLACK BACKGROUND



MANUFACTURED FOR	ENER - TEKNOLOJI
NAME OF CONTRACTOR	DAMAFIN THERMAL TECHNOLOGY CO.
EQUIPMENT	AIR COOLER
EQUIPMENT SERVICE	PROPANE
MFR'S SERIAL NO. / YEAR BUILT	1158-A01-2000-00 / 2024

	HEADER	TUBE
DESIGN PRESSURE bar(g)	22+F.V.	22+F.V.
DESIGN TEMPERATURE (°C)	120	120
HYD. TEST PRESSURE bar(g)	28.6	28.6
MATERIAL	SA-516 Gr.70N	SA-334 Gr.6
CORROSION ALLOWANCE (mm)	3	-
RADIOGRAPHY	YES	-
P.W.H.T.	YES	-
CAPACITY (m3)	0.480	
FLUID	PROPANE	
TUBE BUNDLE+FRAME WT. (EMPTY) (Kg)	4013	
TUBE BUNDLE+FRAME WT. (HYD) (Kg)	4493	

CODES
ASME VIII-DIV.1
API 661

REV	DATE	DESCRIPTION	DRAWN BY	CHECKED BY	APPROVED BY	FINAL APPROVED BY
R0	10/07/2024	ISSUED FOR APPROVAL	F.SZ	F.A.	J.B.L	A.GHZ
CLIENT:			CONTRACTOR:			
PROJECT : AIR COOLER FOR Toase-che Park Sanati Gohar Ofogh Petrochemical Co. Name Plate Drawing 1158-A01-2403-00			Factory : Km 14 special Karaj road			
DWG. NO.	EI027-DMF-VD-ME-DWG-012		SCALE:	SIZE:	REV.:	
	N.T.S.	A3			R0	
THIS DOCUMENT OF A CONFIDENTIAL NATURE IS THE PROPERTY OF DAMAFIN AND SHALL NOT BE REPRODUCED IN ANY MANNER, NOR USED FOR ANY PURPOSE WHATSOEVER, EXCEPT BY WRITTEN PERMISSION OF DAMAFIN.						