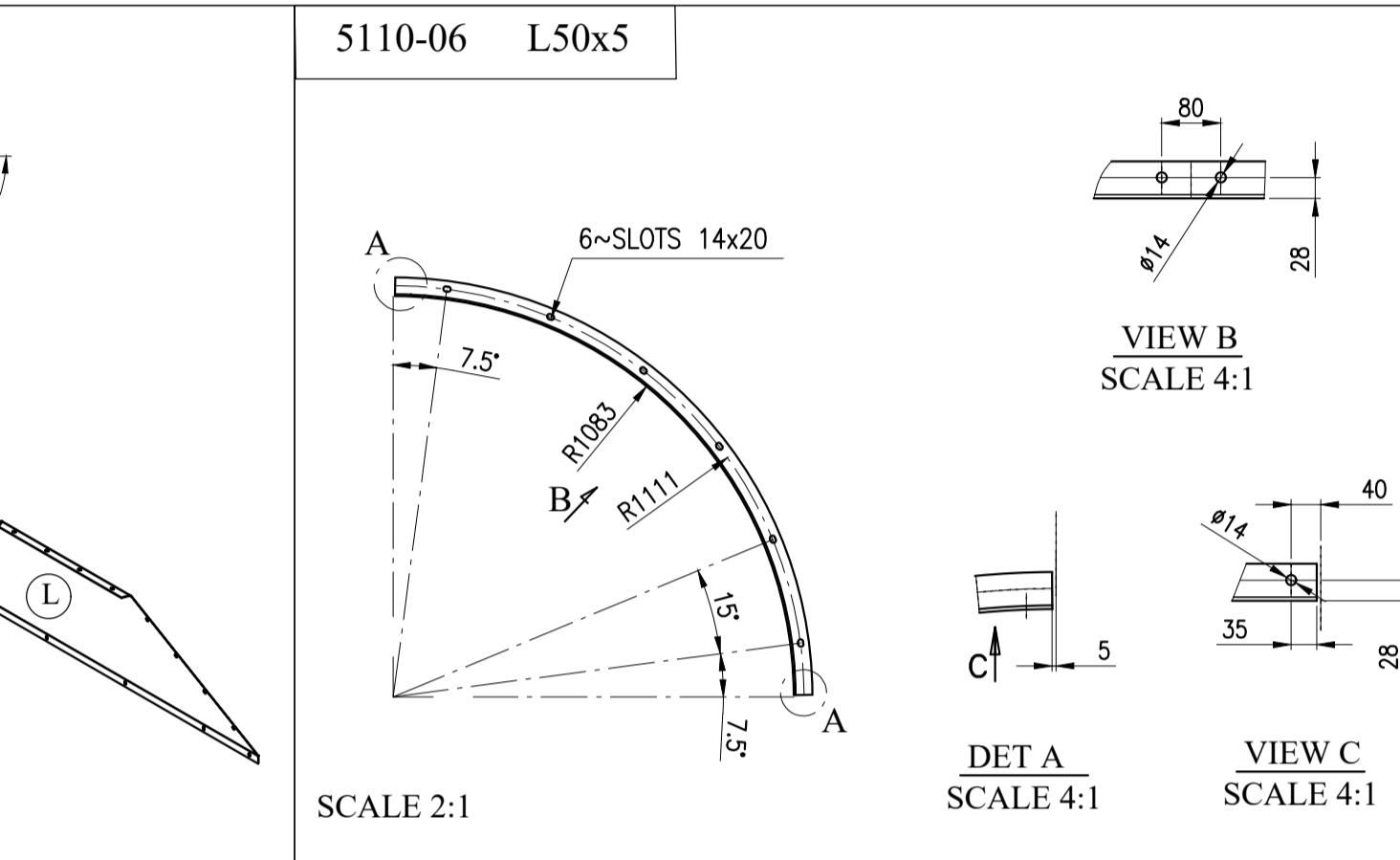
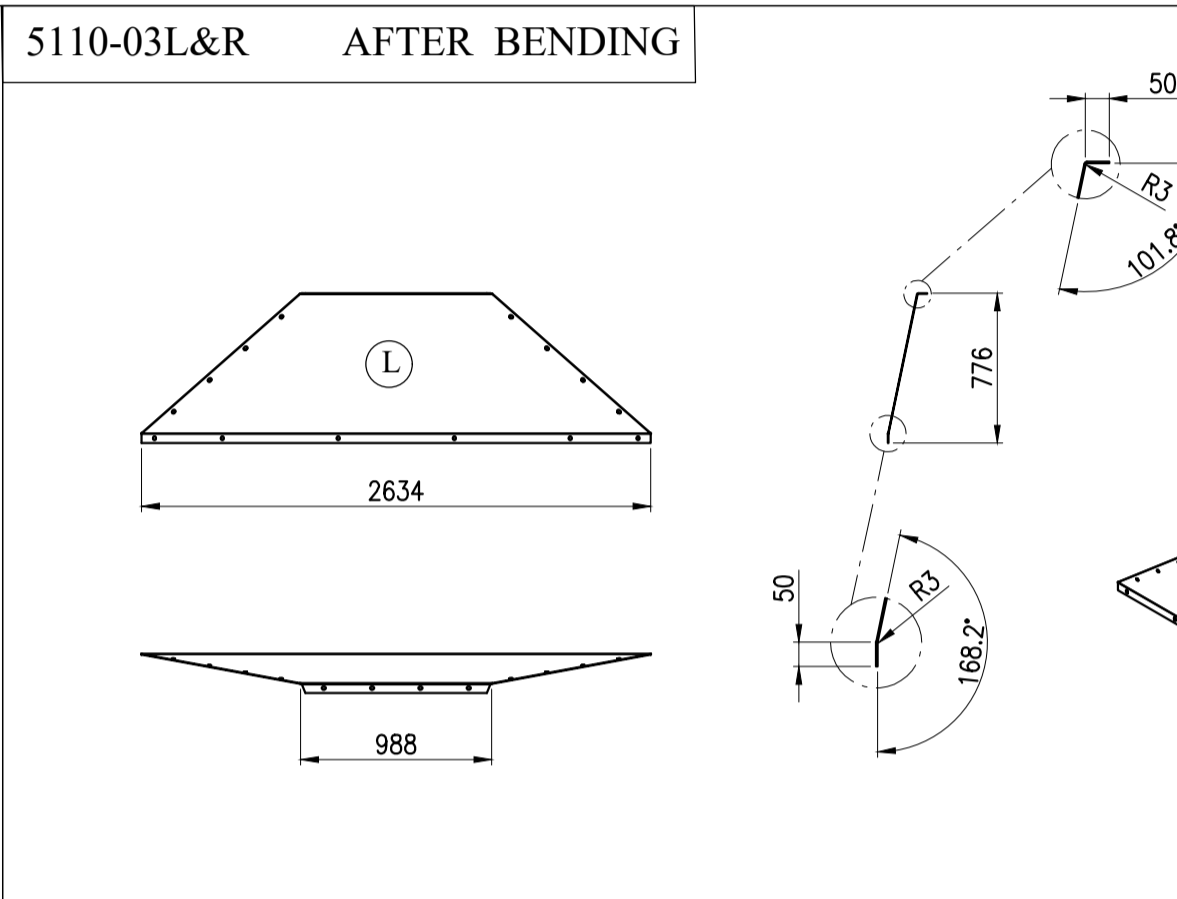
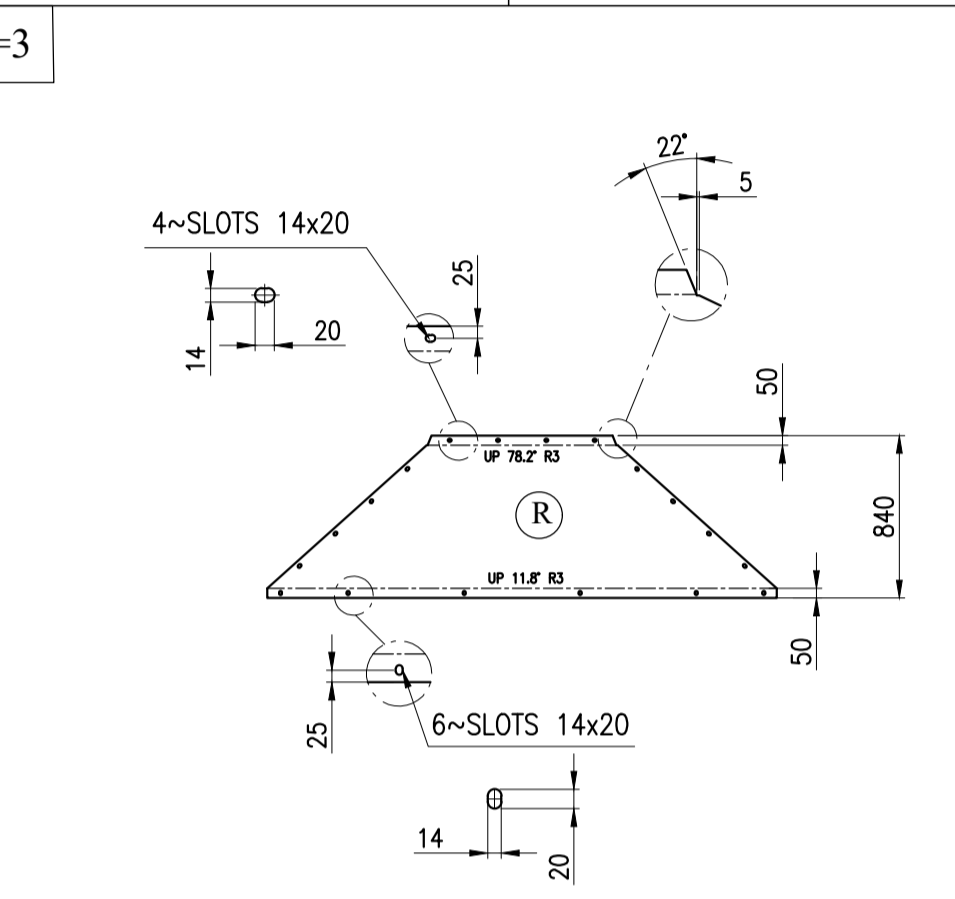
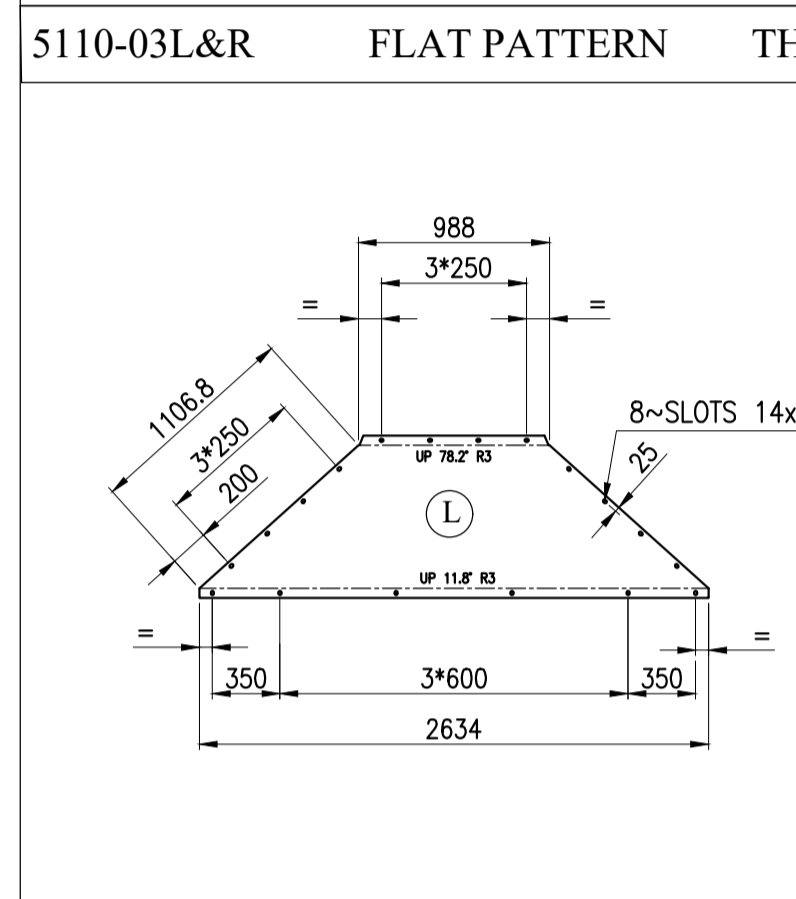


PART NO.	DESCRIPTION	PART LIST				MATERIAL	QTY.	Unit Weight(kg)	Total Weight(kg)	REV.
		DI.	LENGTH	WIDTH	THK.					
5110-00	PLENUM TRANSITION INCLUDING:	-	-	-	-	-	4	262	1048	
5110-01	OCTAGONAL PLATE ASSEMBLY	-	-	-	4	st-37(Galv.)	4	8	32	
5110-02	TRAPEZOID PLATE (LEFT&RIGHT)	-	-	-	3	st-37(Galv.)	2	36	72	
5110-03	TRAPEZOID PLATE (LEFT&RIGHT)	-	-	-	3	st-37(Galv.)	2	36	72	
5110-04	TRIANGULAR PLATE	-	-	-	3	st-37(Galv.)	2	15.5	31	
5110-05	TRIANGULAR PLATE	-	-	-	3	st-37(Galv.)	2	15.5	31	
5110-06	ANGLE FAN RING SUPPORT(L 50*5)	-	-	-	-	st-37(Galv.)	4	6	24	
5120-00	BOLT/NUT/WASHER :	-	-	-	-	-	-	-	-	
5120-01	BOLT	M12	40	-	-	DIN-933-CL.8.8(Dacromet)	64			
5120-02	NUT	M12	-	-	-	DIN-934-CL.8(Galv.)	64			
5120-03	WASHER	A13	-	-	-	DIN-125A-ST(Dacromet)	128			
5120-04	BOLT FOR PLENUM TO STRUCTURE	M12	40	-	-	DIN-933-CL.8.8(Dacromet)	24			
5120-05	NUT	M12	-	-	-	DIN-934-CL.8(Dacromet)	24			
5120-06	WASHER	A13	-	-	-	DIN-125A-ST(Dacromet)	48			



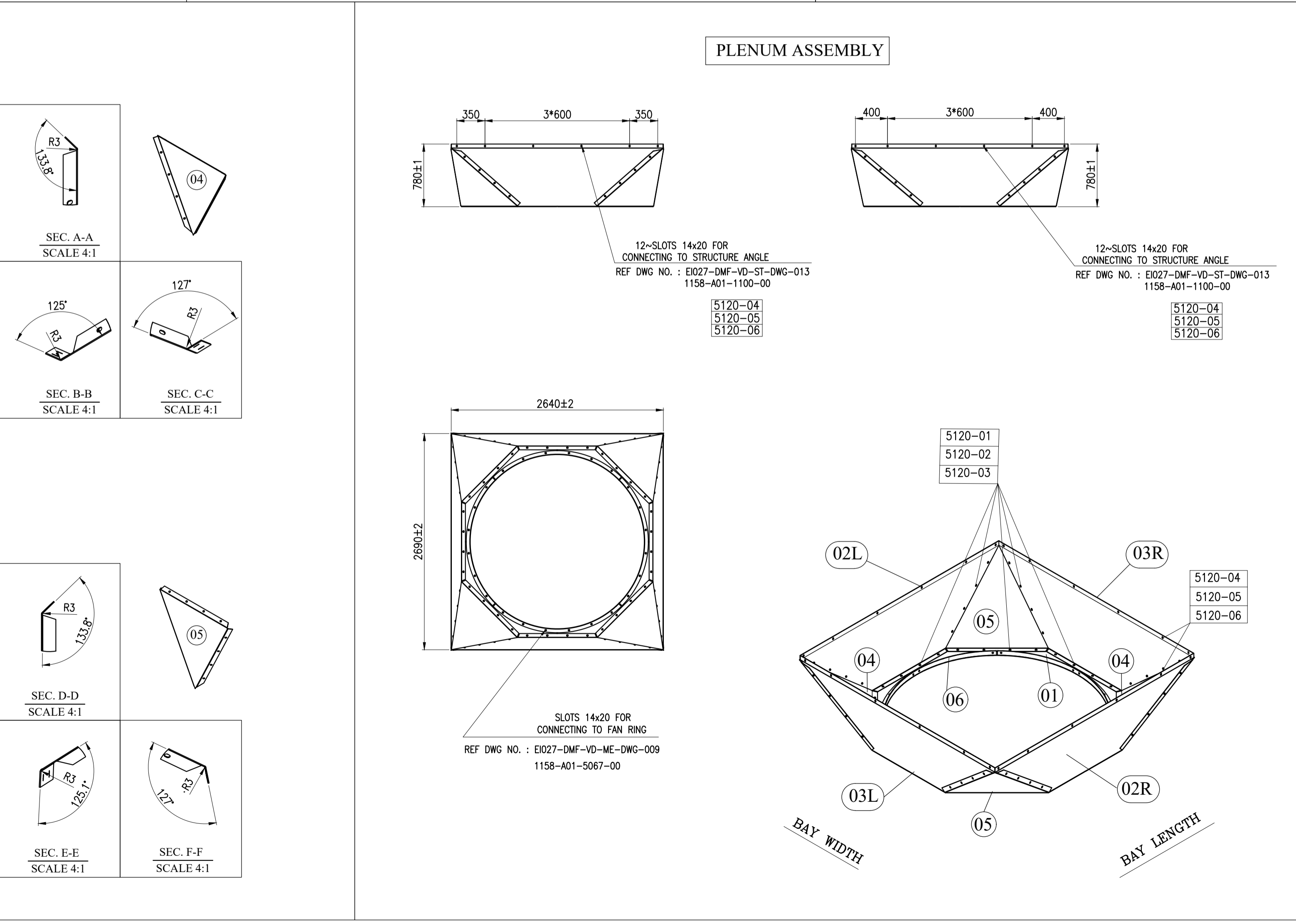
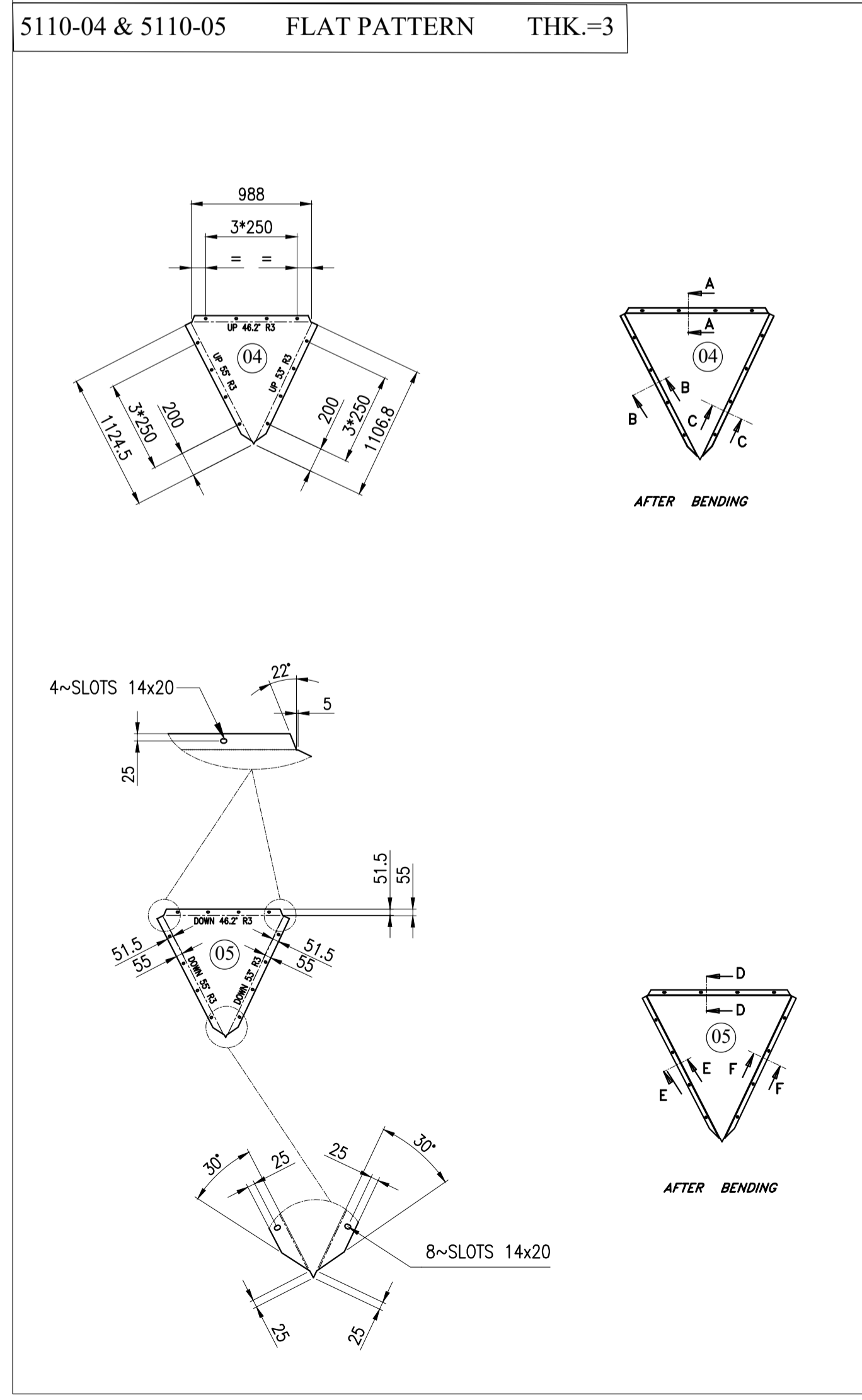
NOTES :

1-All dimension are in millimeters.

2-All parts shall be hot dip galvanized according to ASTM 123.

* FOR MORE DETAILS FOR EACH COMPONENT OF AIR COOLER REFER TO BELOW DRAWING & DOCUMENTS.

TITLE	VENDOR DOCUMENT NO.	CLIENT DOCUMENT NO.
General Arrangement Drawing	1158-A01-1000-00	EI027-DMF-VD-ME-DWG-003
Fan Drive Assembly Drawing	1158-A01-6000-00	EI027-DMF-VD-ME-DWG-008
Fan Ring Drawing	1158-A01-5067-00	EI027-DMF-VD-ME-DWG-009
Steel Structure Drawing	1158-A01-1100-00	EI027-DMF-VD-ST-DWG-013
Surface Blasting & Painting & Galvanizing Specification and Inspection Procedure	1158-000-0501-00	EI027-DMF-VD-OC-PRO-024



REV.	DATE	DESCRIPTION	F.SZ	F.A.	J.B.L	A.GHZ
R0	08/14/2024	ISSUED FOR APPROVAL				
REV.	DATE	DESCRIPTION	DRAWN BY	CHECKED BY	APPROVED BY	FINAL APPROVED BY

CLIENT: **ENBR TEKNOLOJİ**

CONTRACTOR: **dt Damafin thermal technology**

PROJECT :
AIR COOLER FOR
Toase-eh Park Sanati Gohar Ofogh Petrochemical Co.
Plenum Drawing
1158-A01-5110-00

DWG. NO. : EI027-DMF-VD-ME-DWG-011
SCALE : N.T.S. SIZE : A1 REV. : R0

Factory : Km 14 special Karaj road

THIS DOCUMENT OF A CONFIDENTIAL NATURE IS THE PROPERTY OF DAMAFIN AND SHALL NOT BE REPRODUCED IN ANY MANNER, NOR USED FOR ANY PURPOSE WHATSOEVER, EXCEPT BY WRITTEN PERMISSION OF DAMAFIN.