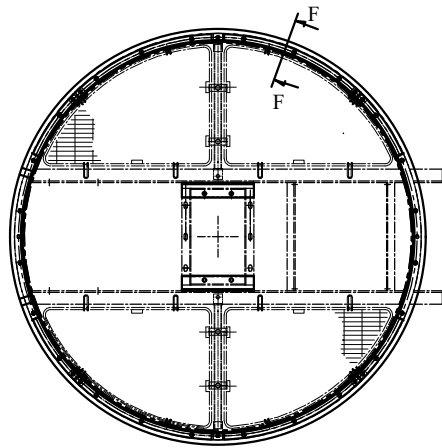
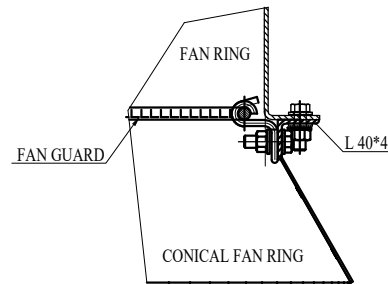


FRONT VIEW

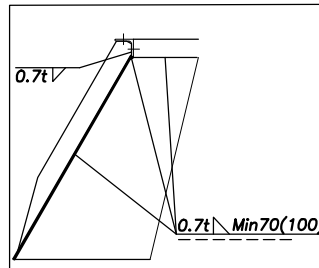


TOP VIEW



SEC. F-F

Connection Fan Guard to Conical Fan Ring(L40\*4)



A

B

C

D

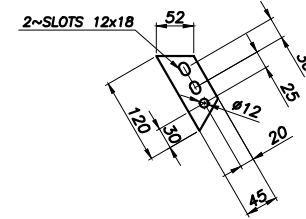
E

F

G

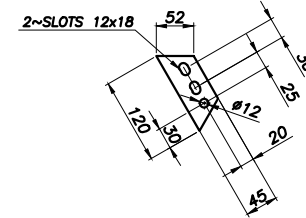
H

5167-09 THK.=10mm



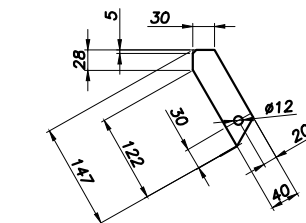
SC. 4:1

5167-08 THK.=5mm



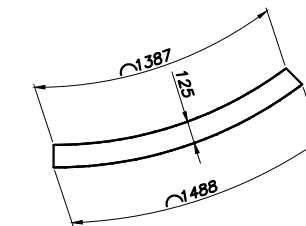
SC. 4:1

5167-07 THK.=3mm



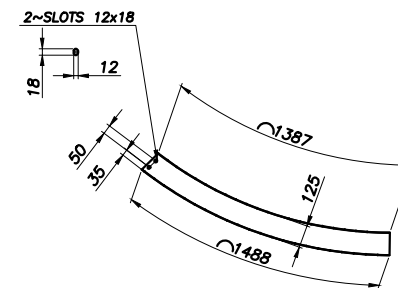
SC. 4:1

5167-03 THK.=2mm

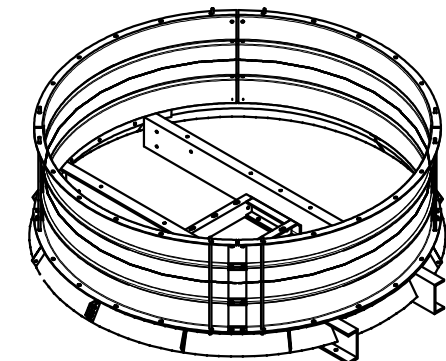
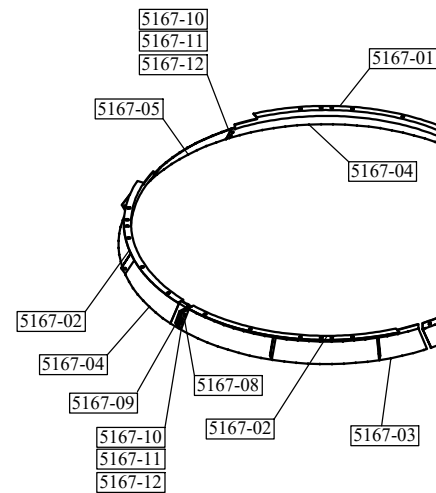
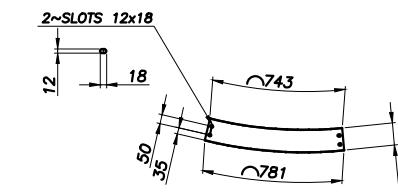


FLAT PATTERN

5167-04 THK.=2mm



5167-05 THK.=2mm



A

B

C

D

E

F

G

H

PART LIST										
PART NO.	DESCRIPTION	DA	LENGTH	WIDTH	THK.	MATERIAL	QTY	Unit Weight	Total Weight	REV.
5167-01	CONICAL FAN RING FOR ONE SET INCLUDING	-	-	-	-	-	4	29	115	
5167-02	L 40*4	-	1300	-	-	SL-370x4(Dp Galv)	2	3	6.7	R3
5167-03	PLATE	-	-	-	2	SL-370x4(Dp Galv)	2	2.8	5.6	R3
5167-04	PLATE	-	-	-	2	SL-370x4(Dp Galv)	2	2.7	4.0	R3
5167-05	PLATE	-	-	-	2	SL-370x4(Dp Galv)	1	1.5	1.5	R3
5167-06	PLATE ASSEMBLY	-	-	-	-	-	1	1.30	1.4	
5167-07	PLATE	-	-	-	2	SL-370x4(Dp Galv)	1	0.39	0.4	R3
5167-08	PLATE	-	-	-	2	SL-370x4(Dp Galv)	1	1	1.0	R3
5167-09	PLATE	-	-	-	2	SL-370x4(Dp Galv)	6	6.1	1.1	R3
5167-10	PLATE	-	120	45	5	SL-370x4(Dp Galv)	4	6.2	9.8	R3
5167-11	BOLT	M10	30	-	-	DIN 934-CL 8.8DacrometB	2	6.4	9.8	
5167-12	NUT	M10	-	-	-	DIN 934-CL 8.8DacrometB	6	-	-	
5167-13	WASHER	A11	-	-	-	DIN 125A-ST04acrometB	18	-	-	
5167-14	BOLT FOR CONNECTING TO SUPPORT MECHANISM	M12	30	-	-	DIN 933-CL 8.8DacrometB	3	-	-	
5167-15	NUT	M12	-	-	-	DIN 934-CL 8.8DacrometB	3	-	-	
5167-16	WASHER	A13	-	-	-	DIN 125A-ST04acrometB	6	-	-	
5167-17	BOLT FOR CONNECTING TO FAN RING	M12	40	-	-	DIN 933-CL 8.8DacrometB	24	-	-	
5167-18	NUT	M12	-	-	-	DIN 934-CL 8.8DacrometB	24	-	-	
5167-19	WASHER	A13	-	-	-	DIN 125A-ST04acrometB	48	-	-	

5167-01&02 L40\*4

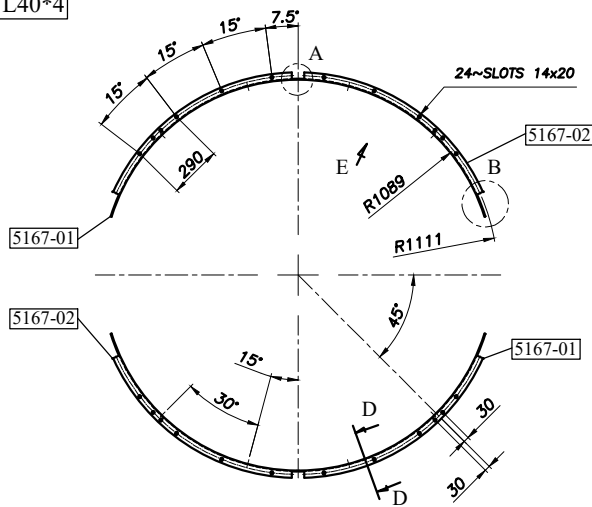
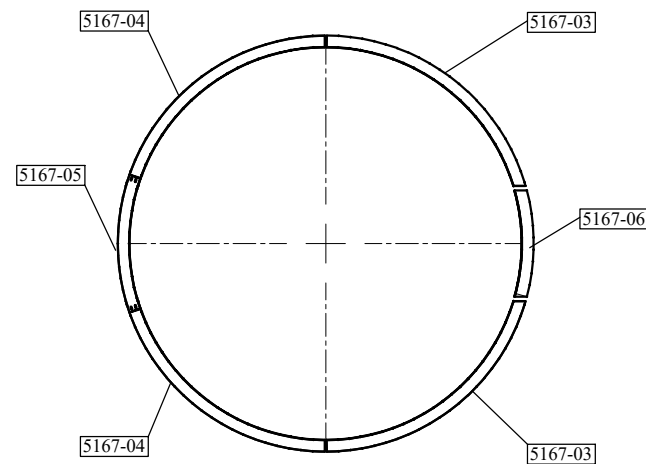
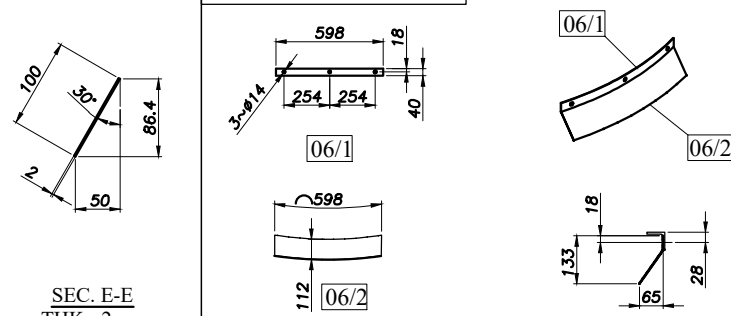


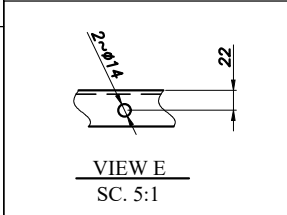
PLATE THK.=2mm



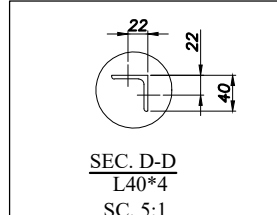
5167-06 THK.=2mm



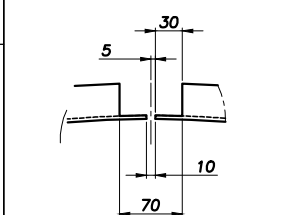
5167-05 THK.=2mm



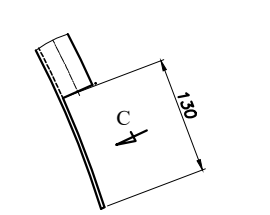
VIEW E  
SC. 5:1



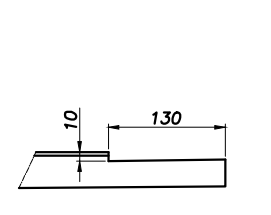
SEC. D-D  
L40\*4  
SC. 5:1



DET.A  
SC. 5:1



DET.B  
SC. 2:1



VIEW C  
SC. 5:1

SEC. E-E  
THK.=2mm

REV	DATE	DESCRIPTION	DRAWN BY	CHECKED BY	APPROVED BY	FINAL APPROVED BY
R2	08/31/2024	ISSUED FOR APPROVAL	F.SZ	F.A.	J.B.L	A.GHZ
R1	08/20/2024	ISSUED FOR APPROVAL	F.SZ	F.A.	J.B.L	A.GHZ
R0	08/10/2024	ISSUED FOR APPROVAL	F.SZ	F.A.	J.B.L	A.GHZ

CLIENT: CONTRACTOR:



PROJECT : AIR COOLER FOR  
Toase-eh Park Sanati Gohar Ofogh Petrochemical Co.  
Fan Ring & Conical Drawing  
1158-A01-5167-00  
(Sheet 2 of 2)



DWG. NO. : E1027-DMF-VD-ME-DWG-009  
SCALE : N.T.S. SIZE : A3 REV. : R2  
Factory : Km 14 special Karaj road  
THIS DOCUMENT A CONFIDENTIAL NATURE IS THE PROPERTY OF DAMAFIN AND SHALL NOT BE REPRODUCED IN ANY MANNER, NOR USED FOR ANY PURPOSE WHAT SO EVER, EXCEPT BY WRITTEN PERMISSION OF DAMAFIN.