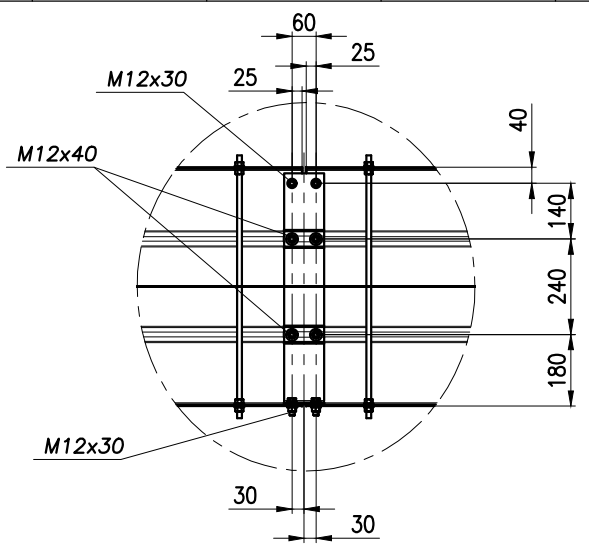
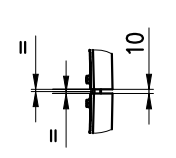


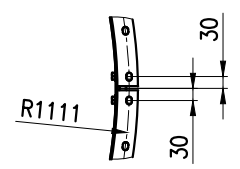
DET. A  
SCALE 2.5 : 1



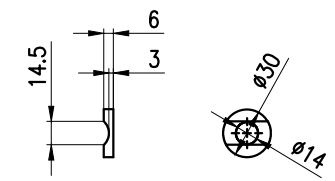
DET. C  
SCALE 2.5 : 1



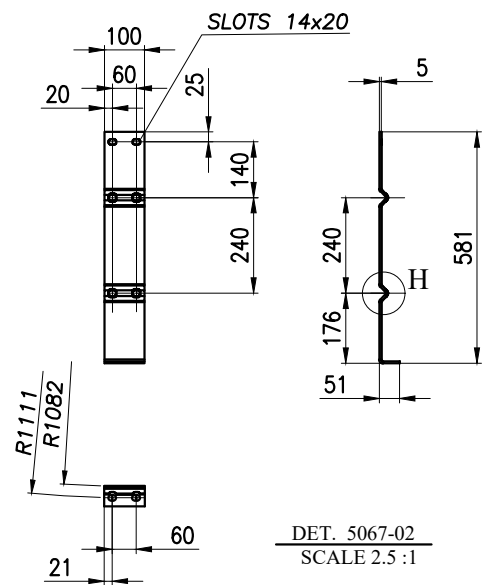
DET. B  
SCALE 2.5 : 1



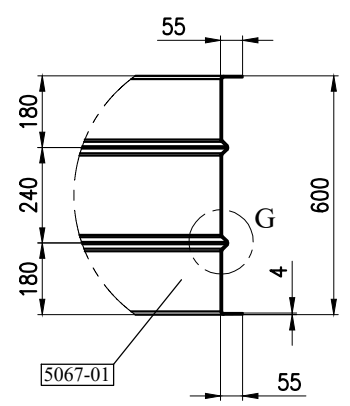
DET. D  
SCALE 2.5 : 1



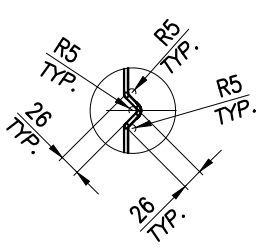
DET. 5067-10  
SCALE 10 : 1



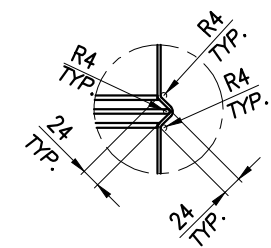
DET. 5067-02  
SCALE 2.5 : 1



SEC. F-F  
SCALE 2.5 : 1

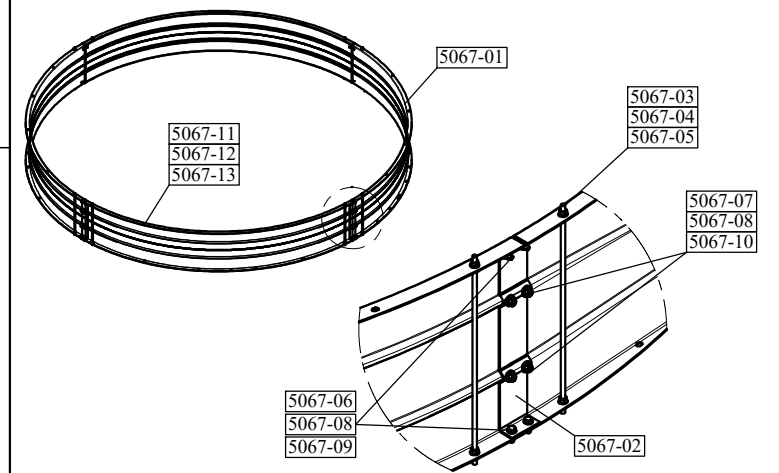


DET. H  
SCALE 5 : 1



DET. G  
SCALE 5 : 1

PART LIST										
PART NO.	DESCRIPTION	DA	LENGTH	WIDTH	THK.	MATERIAL	QTY.	Unit Weight	Total Weight	REV.
5067-00 FAN RING INCLUDING:										
5067-01	SHEET 1/4 RING	-	1690	714	4	st-37(Galv.)	4	38	152	
5067-02	FIXING PLATE (BRACKET)	-	648	100	5	st-37(Galv.)	4	2	8	
5067-03	BOLT FOR TIE ROD	M12	680	-	-	DIN-976-1(Dacromet)	8	1	8	
5067-04	NUT FOR TIE ROD	M12	-	-	-	DIN-934-CL.8(Dacromet)	32			
5067-05	WASHER FOR TIE ROD	A13	-	-	-	DIN-125A-ST(Dacromet)	32			
5067-06	BOLT FOR FIXING PLATE	M12	30	-	-	DIN-933-CL.8(Dacromet)	16			
5067-07	BOLT FOR FIXING PLATE	M12	40	-	-	DIN-7991(Dacromet)	16			
5067-08	NUT FOR FIXING PLATE	M12	-	-	-	DIN-934-CL.8(Dacromet)	32			
5067-09	WASHER FIXING PLATE	A13	-	-	-	DIN-125A-ST(Dacromet)	32			
5067-10	WASHER FIXING PLATE	30	-	-	6	st-37(Galv.)	16			
5067-11	BOLT FOR CONNECTION FAN RING TO PLENUM	M12	40	-	-	DIN-933-CL.8(Dacromet)	24			
5067-12	NUT	M12	-	-	-	DIN-934-CL.8(Dacromet)	24			
5067-13	WASHER	A13	-	-	-	DIN-125A-ST(Dacromet)	48			



\* FOR MORE DETAILS FOR EACH COMPONENT OF AIR COOLER REFER TO BELOW DRAWING & DOCUMENTS.

REFERENCED DWG&DOC.

TITLE	VENDOR DOCUMENT NO.	CLIENT DOCUMENT NO.
General Arrangement Drawing	1158-A01-1000-00	EI027-DMF-VD-ME-DWG-003
Fan Drive Assembly Drawing	1158-A01-6000-00	EI027-DMF-VD-ME-DWG-008
Plenum Drawing	1158-A01-5110-00	EI027-DMF-VD-ME-DWG-011
Support Mechanism Drawing	1158-A01-6307-00	EI027-DMF-VD-ME-DWG-010
Axial Fan Data Sheet	1158-A01-6510-00	EI027-DMF-VD-ME-DSH-016
Surface Preparation and Painting Procedure for Air Cooler	1158-000-QS01-00	EI027-DMF-VD-QC-PRO-024

- NOTES:
- 1-ALL DIMENSION ARE IN MILLIMETERS.
  - 2-BOLTS, NUTS, WASHERS, THREADS, PARTS INCLUDES THREADS SHALL BE AS PER PROJECT SPECIFICATION.
  - 3- ALL PARTS HOT DIP GALVANIZING SHALL BE DONE AS PER ASTM-123/ISO 1461.
  - 4- THIS DRAWING IS COMPATIBLE WITH FAN DATA SHEET DOCUMENT NUMBER EI027-DMF-VD-ME-DSH-016 AND IT SHALL BE READ IN CONJUNCTION WITH RELEVANT DATA SHEET.

GENERAL DATA	
FAN DIA.	2134
FAN RING TYPE	CONICAL L/D=0.05
TIP CLEARANCE	11 mm

TOLERANCES			
THE FOLLOWING VALUES ARE APPLICABLE TO THE DIMENSIONS THAT ARE NOT PROVIDED WITH TOLERANCES ON DRAWING			
NOMINAL DIMENSIONS PER MILLIMETER STEPS	0	0.1	0.001
1-6	0.15	0.10	0.05
7-15	0.20	0.15	0.10
16-30	0.30	0.20	0.15
31-60	0.40	0.30	0.20
61-120	0.50	0.40	0.30
121-250	0.60	0.50	0.40
251-500	0.70	0.60	0.50
501-1000	0.80	0.70	0.60
1001-2000	1.00	0.90	0.80
2001-4000	1.20	1.10	1.00
4001-6000	1.50	1.40	1.30
6001-10000	2.00	1.80	1.60

REV	DATE	DESCRIPTION	DRAWN BY	CHECKED BY	APPROVED BY	FINAL APPROVED BY
R1	08/20/2024	ISSUED FOR APPROVAL	F.SZ	F.A.	J.B.L	A.GHZ
R0	08/10/2024	ISSUED FOR APPROVAL	F.SZ	F.A.	J.B.L	A.GHZ

CLIENT: **ENBR TEKNOLOJI**

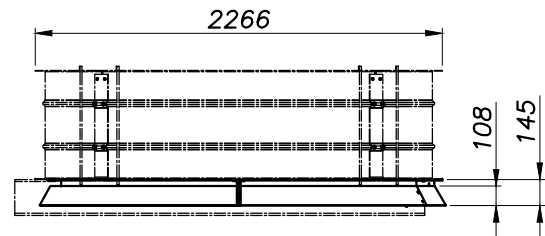
PROJECT: **AIR COOLER FOR Toase-che Park Sanati Gohar Ofogh Petrochemical Co.**

**Fan Ring & Conical Drawing**  
1158-A01-5067-00  
(Sheet 1 of 2)

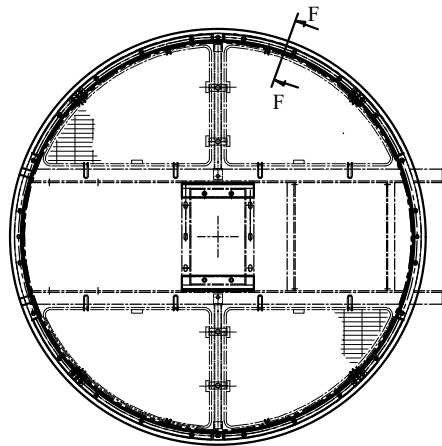
DWG. NO. EI027-DMF-VD-ME-DWG-009  
SCALE: N.T.S. SIZE: A3 REV: R1

CONTRACTOR: **dt Damafin thermal technology**  
Factory: Km 14 special Karaj road

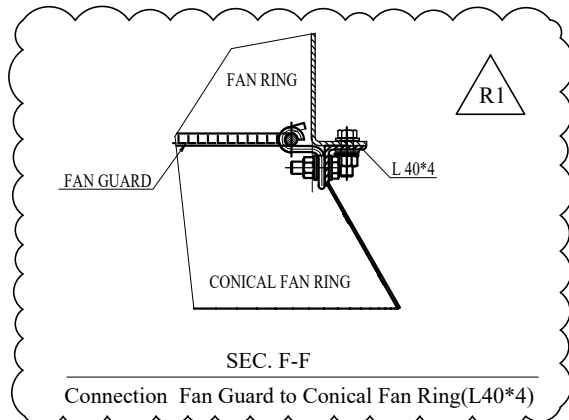
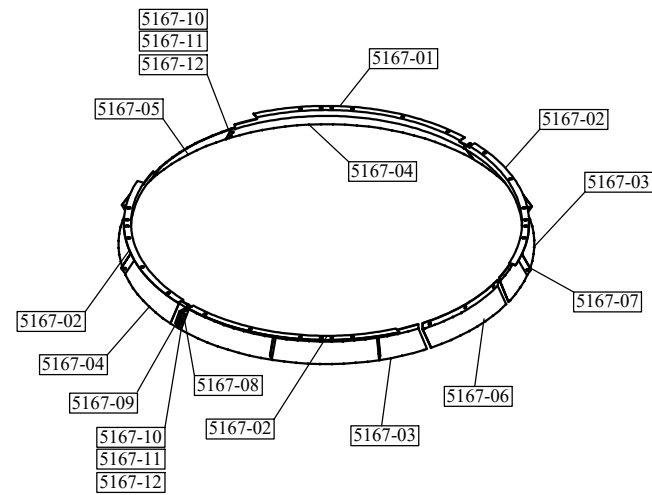
THIS DOCUMENT OF A CONFIDENTIAL NATURE IS THE PROPERTY OF DAMAFIN AND SHALL NOT BE REPRODUCED IN ANY MANNER, NOR USED FOR ANY PURPOSE WHATSOEVER, EXCEPT BY WRITTEN PERMISSION OF DAMAFIN.



FRONT VIEW

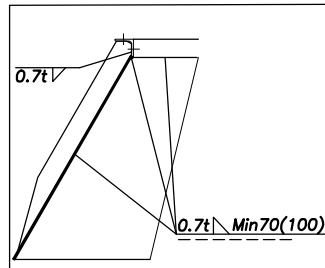


TOP VIEW

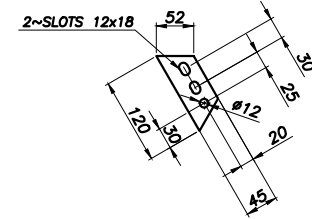


SEC. F-F

Connection Fan Guard to Conical Fan Ring(L40\*4)

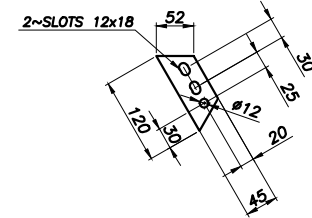


5167-09 THK.=10mm



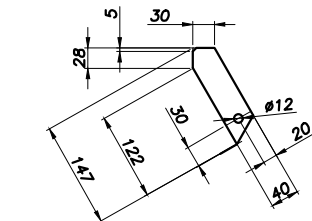
SC. 4:1

5167-08 THK.=5mm

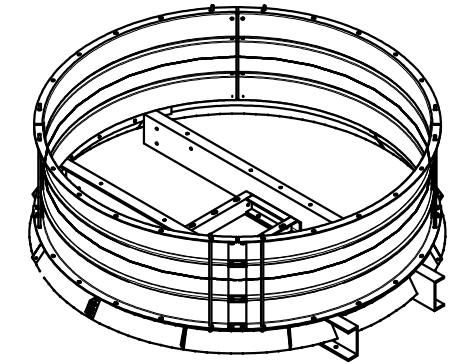


SC. 4:1

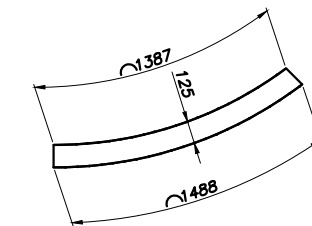
5167-07 THK.=3mm



SC. 4:1

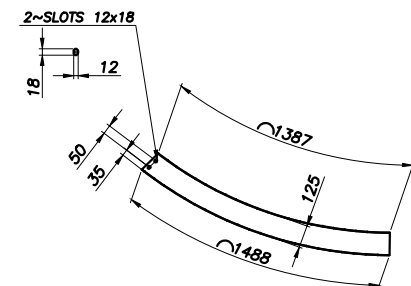


5167-03 THK.=2mm

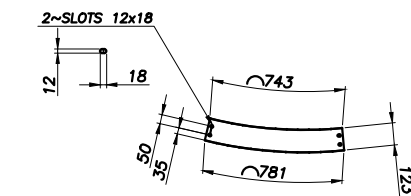


FLAT PATTERN

5167-04 THK.=2mm



5167-05 THK.=2mm



5167-01&02 L40\*4

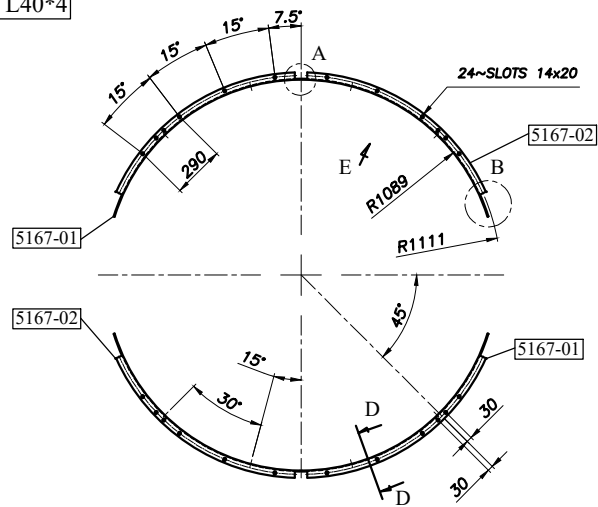
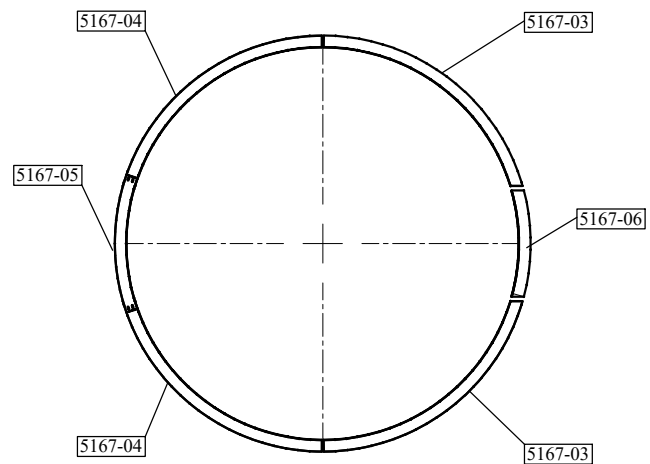
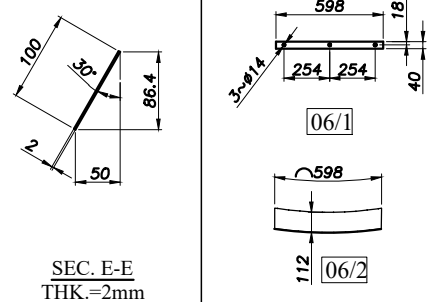


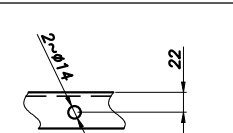
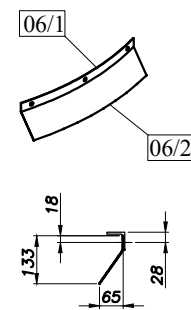
PLATE THK.=2mm



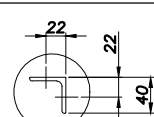
5167-06 THK.=2mm



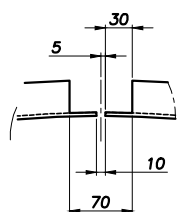
SEC. E-E  
THK.=2mm



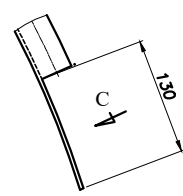
VIEW E  
SC. 5:1



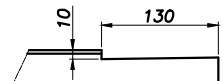
SEC. D-D  
L40\*4  
SC. 5:1



DET.A  
SC. 5:1



DET.B  
SC. 2:1



VIEW C  
SC. 5:1

		PART LIST								
PART NO.	DESCRIPTION	DA	LENGTH	WIDTH	THK.	MATERIAL	QTY	Unit Weight	Total Weight	REV.
5167-08	CONICAL FAN RING FOR ONE SET INCLUDING	-	-	-	-	-	-	4	29	115
5167-01	L40*4	-	1300	-	-	St-37(04k)	2	3	6.7	
5167-02	L40*4	-	1300	-	-	St-37(04k)	2	3	6.7	
5167-03	PLATE	-	-	-	2	St-37(04k)	2	2.8	5.6	
5167-04	PLATE	-	-	-	2	St-37(04k)	2	2	4.0	
5167-05	PLATE	-	-	-	2	St-37(04k)	1	1.5	1.5	
<b>5167-000 PLATE ASSEMBLY</b>										
5167-001	PLATE	-	-	-	2	St-37(04k)	1	0.39	0.4	
5167-062	PLATE	-	-	-	2	St-37(04k)	1	1	1.0	
5167-07	PLATE	-	147	40	3	-	6	6.1	1.1	
5167-08	PLATE	-	120	45	5	-	4	6.2	9.8	
5167-09	PLATE	-	120	45	10	DIN 1258-ST(04crnmB)	2	2	4.0	
5167-10	BOLT	M10	30	-	-	DIN 933-CL 8.8(04crnmB)	6	6.4	9.8	
5167-11	NUT	M10	-	-	-	DIN 934-CL 8.8(04crnmB)	6	-	-	
5167-12	WASHER	A11	-	-	-	DIN 1258-ST(04crnmB)	18	-	-	
5167-13	BOLT FOR CONNECTING TO SUPPORT MECHANISM	M12	30	-	-	DIN 933-CL 8.8(04crnmB)	3	-	-	
5167-14	NUT	M12	-	-	-	DIN 934-CL 8.8(04crnmB)	3	-	-	
5167-15	WASHER	A13	-	-	-	DIN 1258-ST(04crnmB)	6	-	-	
5167-16	BOLT FOR CONNECTING TO FAN RING	M12	40	-	-	DIN 933-CL 8.8(04crnmB)	24	-	-	
5167-17	NUT	M12	-	-	-	DIN 934-CL 8.8(04crnmB)	24	-	-	
5167-18	WASHER	A13	-	-	-	DIN 1258-ST(04crnmB)	48	-	-	

REV	DATE	DESCRIPTION	DRAWN BY	CHECKED BY	APPROVED BY	FINAL APPROVED BY
R1	08/20/2024	ISSUED FOR APPROVAL	F.SZ	F.A.	J.B.L	A.GHZ
R0	08/10/2024	ISSUED FOR APPROVAL	F.SZ	F.A.	J.B.L	A.GHZ

CLIENT: CONTRACTOR:



PROJECT : AIR COOLER FOR  
Toase-eh Park Sanati Gohar Ofogh Petrochemical Co.  
Fan Ring & Conical Drawing  
1158-A01-5167-00  
(Sheet 2 of 2)

DWG. NO. E1027-DMF-VD-ME-DWG-009  
SCALE : N.T.S. SIZE : A3 REV. : R1  
Factory : Km 14 special Karaj road

THIS DOCUMENT OF A CONFIDENTIAL NATURE IS THE PROPERTY OF DAMAFIN AND SHALL NOT BE REPRODUCED IN ANY MANNER, NOR USED FOR ANY PURPOSE WHATSOEVER, EXCEPT BY WRITTEN PERMISSION OF DAMAFIN.

