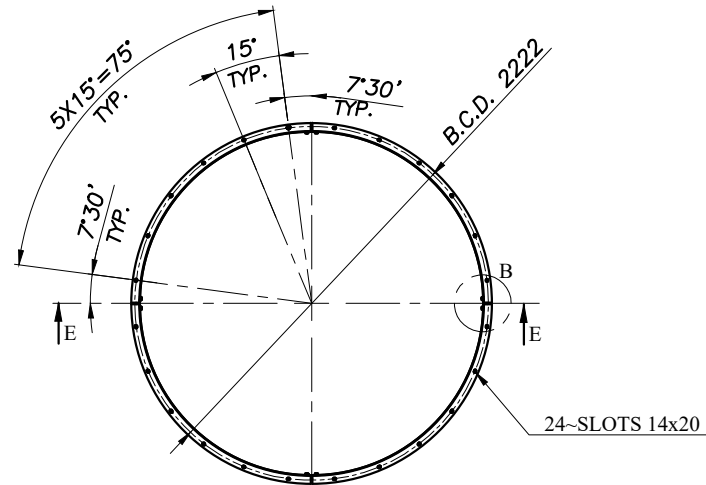
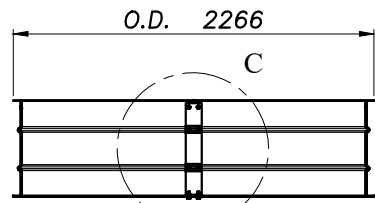


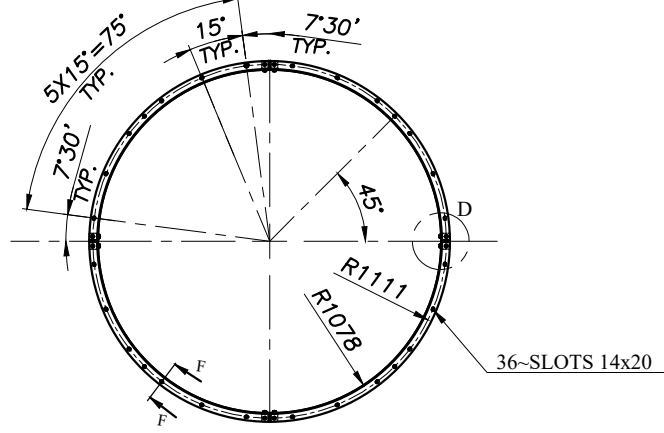
SEC. E-E



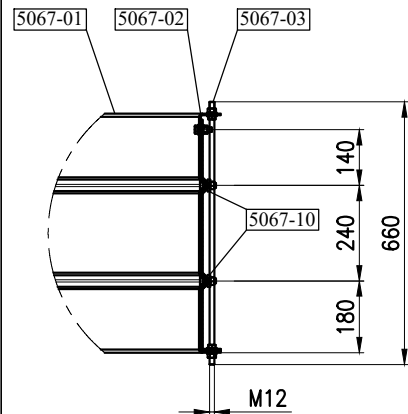
TOP VIEW



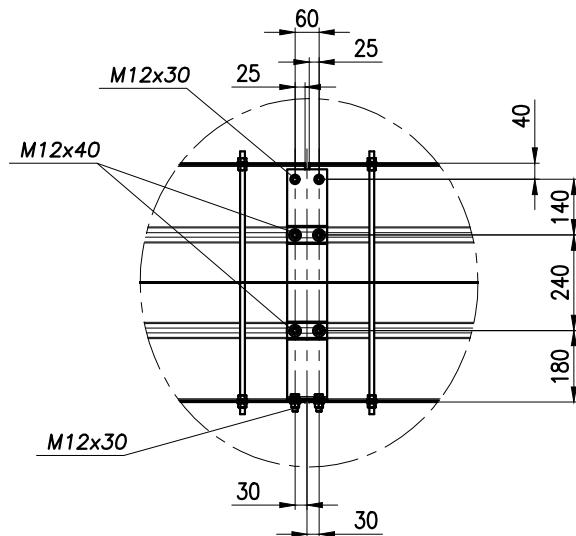
FRONT VIEW



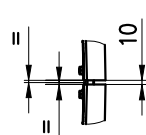
BOTTOM VIEW



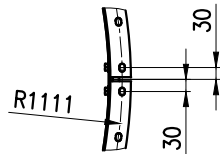
DET. A
SCALE 2.5 : 1



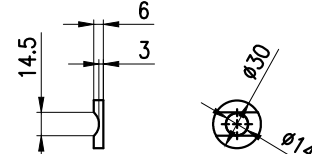
DET. C
SCALE 2.5 : 1



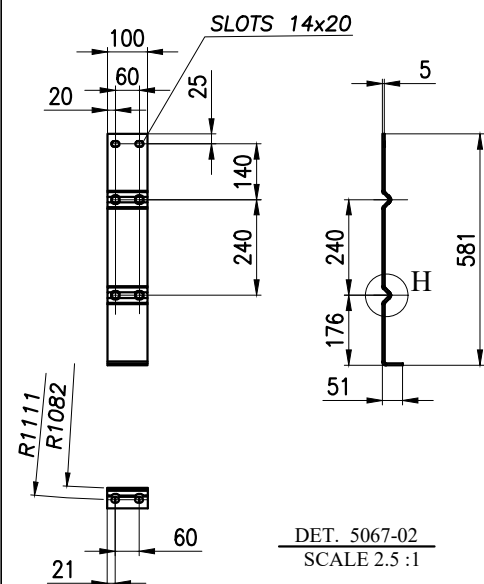
DET. B
SCALE 2.5 : 1



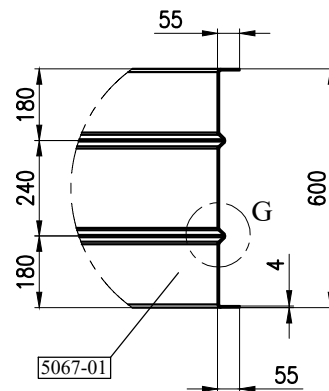
DET. D
SCALE 2.5 : 1



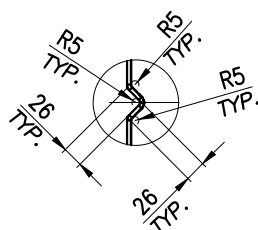
DET. 5067-10
SCALE 10 : 1



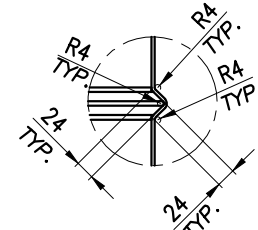
DET. 5067-02
SCALE 2.5 : 1



SEC. F-F
SCALE 2.5 : 1

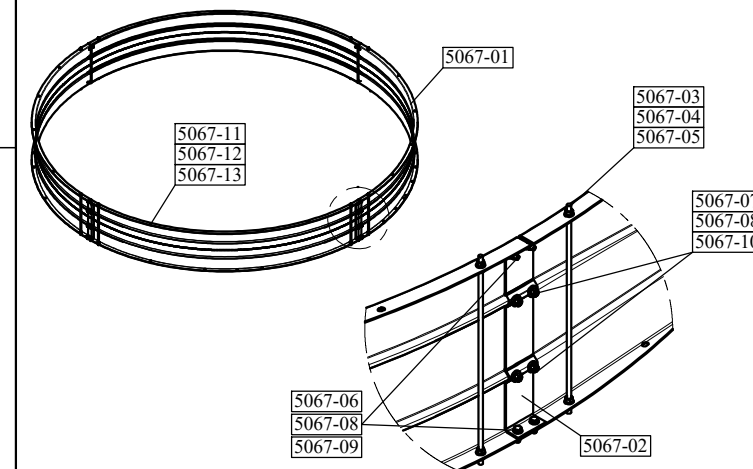


DET. H
SCALE 5 : 1



DET. G
SCALE 5 : 1

PART LIST										
PART NO.	DESCRIPTION	DA	LENGTH	WIDTH	THK.	MATERIAL	QTY.	Unit Weight	Total Weight	REV.
5067-00	FAN RING INCLUDING:	-	-	-	-	-	4	168	670	
5067-01	SHEET 1/4 RING	-	1690	714	4	st-37(Galv.)	4	38	152	
5067-02	FIXING PLATE (BRACKET)	-	648	100	5	st-37(Galv.)	4	2	8	
5067-03	BOLT FOR TIE ROD	M12	680	-	-	DIN-976-1(Dacromet)	8	1	8	
5067-04	NUT FOR TIE ROD	M12	-	-	-	DIN-934-CL.8(Dacromet)	32			
5067-05	WASHER FOR TIE ROD	A13	-	-	-	DIN-125A-ST(Dacromet)	32			
5067-06	BOLT FOR FIXING PLATE	M12	30	-	-	DIN-933-CL.8(Dacromet)	18			
5067-07	BOLT FOR FIXING PLATE	M12	40	-	-	DIN-7991(Dacromet)	18			
5067-08	NUT FOR FIXING PLATE	M12	-	-	-	DIN-934-CL.8(Dacromet)	32			
5067-09	WASHER FIXING PLATE	A13	-	-	-	DIN-125A-ST(Dacromet)	32			
5067-10	WASHER FIXING PLATE	30	-	-	6	st-37(Galv.)	18			
5067-11	BOLT FOR CONNECTION FAN RING TO PLENUM	M12	40	-	-	DIN-933-CL.8(Dacromet)	24			
5067-12	NUT	M12	-	-	-	DIN-934-CL.8(Dacromet)	24			
5067-13	WASHER	A13	-	-	-	DIN-125A-ST(Dacromet)	48			



* FOR MORE DETAILS FOR EACH COMPONENT OF AIR COOLER REFER TO BELOW DRAWING & DOCUMENTS.

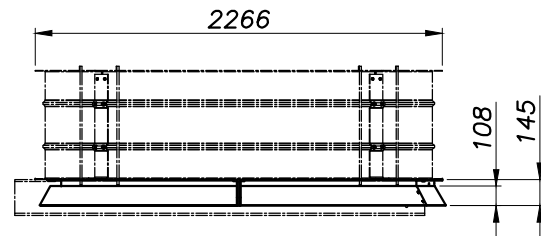
REFERENCED DWG&DOC.

TITLE	VENDOR DOCUMENT NO.	CLIENT DOCUMENT NO.
General Arrangement Drawing	1158-A01-1000-00	EI027-DMF-VD-ME-DWG-003
Fan Drive Assembly Drawing	1158-A01-6000-00	EI027-DMF-VD-ME-DWG-008
Plenum Drawing	1158-A01-5110-00	EI027-DMF-VD-ME-DWG-011
Support Mechanism Drawing	1158-A01-6307-00	EI027-DMF-VD-ME-DWG-010
Axial Fan Data Sheet	1158-A01-6510-00	EI027-DMF-VD-ME-DSH-016
Surface Preparation and Painting Procedure for Air Cooler	1158-000-QS01-00	EI027-DMF-VD-QC-PRO-024

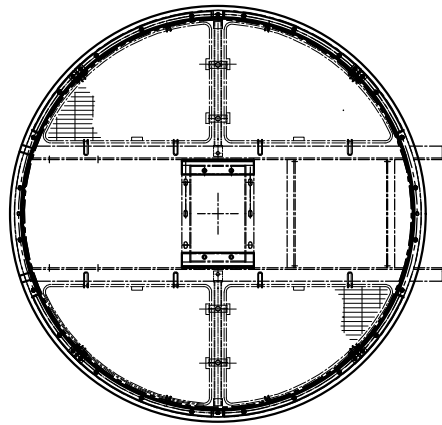
NOTES :
 1-ALL DIMENSION ARE IN MILLIMETERS.
 2-BOLTS, NUTS, WASHERS, THREADS, PARTS INCLUDES THREADS SHALL BE HOT DIP GALVANIZED.
 3- ALL PARTS HOT DIP GALVANIZING SHALL BE DONE AS PER ASTM-123/ISO 1461.
 4- THIS DRAWING IS COMPATIBLE WITH FAN DATA SHEET DOCUMENT NUMBER EI027-DMF-VD-ME-DSH-016 AND IT SHALL BE READ IN CONJUNCTION WITH RELEVANT DATA SHEET.

GENERAL DATA	
FAN DIA.	2134
FAN RING TYPE	CONICAL L/D=0.05
TIP CLEARANCE	11 mm

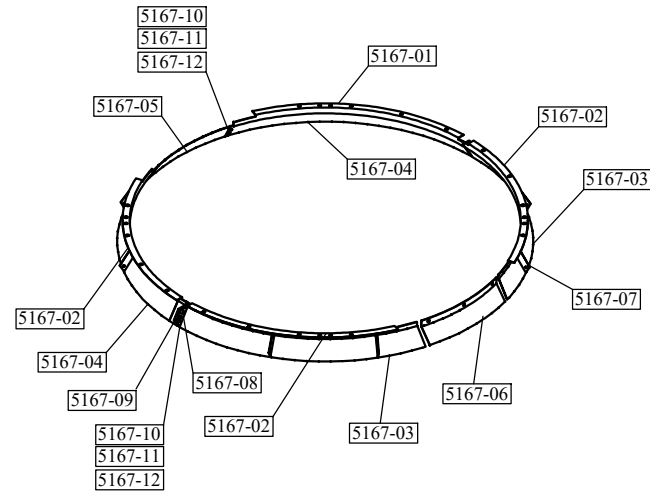
TOLERANCES			
THE FOLLOWING VALUES ARE APPLICABLE TO THE DIMENSIONS THAT ARE NOT PROVIDED WITH TOLERANCES ON DRAWING			
NOMINAL DIMENSIONS PER MILLIMETER STEPS	0	1	2
0 - 1	0.10	0.15	0.20
1 - 3	0.15	0.20	0.25
3 - 6	0.20	0.25	0.30
6 - 15	0.30	0.35	0.40
15 - 30	0.40	0.45	0.50
30 - 60	0.50	0.55	0.60
60 - 120	0.60	0.65	0.70
120 - 250	0.70	0.75	0.80
250 - 500	0.80	0.85	0.90
500 - 1000	0.90	0.95	1.00
1000 - 2000	1.00	1.05	1.10
2000 - 5000	1.10	1.15	1.20
5000 - 10000	1.20	1.25	1.30
10000 - 20000	1.30	1.35	1.40
20000 - 50000	1.40	1.45	1.50
50000 - 100000	1.50	1.55	1.60
100000 - 200000	1.60	1.65	1.70
200000 - 500000	1.70	1.75	1.80
500000 - 1000000	1.80	1.85	1.90
1000000 - 2000000	1.90	1.95	2.00
2000000 - 5000000	2.00	2.05	2.10
5000000 - 10000000	2.10	2.15	2.20
10000000 - 20000000	2.20	2.25	2.30
20000000 - 50000000	2.30	2.35	2.40
50000000 - 100000000	2.40	2.45	2.50
100000000 - 200000000	2.50	2.55	2.60
200000000 - 500000000	2.60	2.65	2.70
500000000 - 1000000000	2.70	2.75	2.80
1000000000 - 2000000000	2.80	2.85	2.90
2000000000 - 5000000000	2.90	2.95	3.00
5000000000 - 10000000000	3.00	3.05	3.10
10000000000 - 20000000000	3.10	3.15	3.20
20000000000 - 50000000000	3.20	3.25	3.30
50000000000 - 100000000000	3.30	3.35	3.40
100000000000 - 200000000000	3.40	3.45	3.50
200000000000 - 500000000000	3.50	3.55	3.60
500000000000 - 1000000000000	3.60	3.65	3.70
1000000000000 - 2000000000000	3.70	3.75	3.80
2000000000000 - 5000000000000	3.80	3.85	3.90
5000000000000 - 10000000000000	3.90	3.95	4.00
10000000000000 - 20000000000000	4.00	4.05	4.10
20000000000000 - 50000000000000	4.10	4.15	4.20
50000000000000 - 100000000000000	4.20	4.25	4.30
100000000000000 - 200000000000000	4.30	4.35	4.40
200000000000000 - 500000000000000	4.40	4.45	4.50
500000000000000 - 1000000000000000	4.50	4.55	4.60
1000000000000000 - 2000000000000000	4.60	4.65	4.70
2000000000000000 - 5000000000000000	4.70	4.75	4.80
5000000000000000 - 10000000000000000	4.80	4.85	4.90
10000000000000000 - 20000000000000000	4.90	4.95	5.00
20000000000000000 - 50000000000000000	5.00	5.05	5.10
50000000000000000 - 100000000000000000	5.10	5.15	5.20
100000000000000000 - 200000000000000000	5.20	5.25	5.30
200000000000000000 - 500000000000000000	5.30	5.35	5.40
500000000000000000 - 1000000000000000000	5.40	5.45	5.50
1000000000000000000 - 2000000000000000000	5.50	5.55	5.60
2000000000000000000 - 5000000000000000000	5.60	5.65	5.70
5000000000000000000 - 10000000000000000000	5.70	5.75	5.80
10000000000000000000 - 20000000000000000000	5.80	5.85	5.90
20000000000000000000 - 50000000000000000000	5.90	5.95	6.00
50000000000000000000 - 100000000000000000000	6.00	6.05	6.10
100000000000000000000 - 200000000000000000000	6.10	6.15	6.20
200000000000000000000 - 500000000000000000000	6.20	6.25	6.30
500000000000000000000 - 1000000000000000000000	6.30	6.35	6.40
1000000000000000000000 - 2000000000000000000000	6.40	6.45	6.50
2000000000000000000000 - 5000000000000000000000	6.50	6.55	6.60
5000000000000000000000 - 10000000000000000000000	6.60	6.65	6.70
10000000000000000000000 - 20000000000000000000000	6.70	6.75	6.80
20000000000000000000000 - 50000000000000000000000	6.80	6.85	6.90
50000000000000000000000 - 100000000000000000000000	6.90	6.95	7.00
100000000000000000000000 - 200000000000000000000000	7.00	7.05	7.10
200000000000000000000000 - 500000000000000000000000	7.10	7.15	7.20
500000000000000000000000 - 1000000000000000000000000	7.20	7.25	7.30
1000000000000000000000000 - 2000000000000000000000000	7.30	7.35	7.40
2000000000000000000000000 - 5000000000000000000000000	7.40	7.45	7.50
5000000000000000000000000 - 10000000000000000000000000	7.50	7.55	7.60
10000000000000000000000000 - 20000000000000000000000000	7.60	7.65	7.70
20000000000000000000000000 - 50000000000000000000000000	7.70	7.75	7.80
50000000000000000000000000 - 100000000000000000000000000	7.80	7.85	7.90
100000000000000000000000000 - 200000000000000000000000000	7.90	7.95	8.00
200000000000000000000000000 - 500000000000000000000000000	8.00	8.05	8.10
500000000000000000000000000 - 1000000000000000000000000000	8.10	8.15	8.20
1000000000000000000000000000 - 2000000000000000000000000000	8.20	8.25	8.30
2000000000000000000000000000 - 5000000000000000000000000000	8.30	8.35	8.40
5000000000000000000000000000 - 10000000000000000000000000000	8.40	8.45	8.50
10000000000000000000000000000 - 20000000000000000000000000000	8.50	8.55	8.60
20000000000000000000000000000 - 50000000000000000000000000000	8.60	8.65	8.70
50000000000000000000000000000 - 100000000000000000000000000000	8.70	8.75	8.80
100000000000000000000000000000 - 200000000000000000000000000000	8.80	8.85	8.90
200000000000000000000000000000 - 500000000000000000000000000000	8.90	8.95	9.00
500000000000000000000000000000 - 1000000000000000000000000000000	9.00	9.05	9.10
1000000000000000000000000000000 - 2000000000000000000000000000000	9.10	9.15	9.20
2000000000000000000000000000000 - 5000000000000000000000000000000	9.20	9.25	9.30
5000000000000000000000000000000 - 10000000000000000000000000000000	9.30	9.35	9.40
10000000000000000000000000000000 - 20000000000000000000000000000000	9.40	9.45	9.50
20000000000000000000000000000000 - 50000000000000000000000000000000	9.50	9.55	9.60
50000000000000000000000000000000 - 100000000000000000000000000000000	9.60	9.65	9.70
100000000000000000000000000000000 - 200000000000000000000000000000000	9.70	9.75	9.80
200000000000000000000000000000000 - 500000000000000000000000000000000	9.80	9.	



FRONT VIEW



TOP VIEW



5167-01&02 L40*4

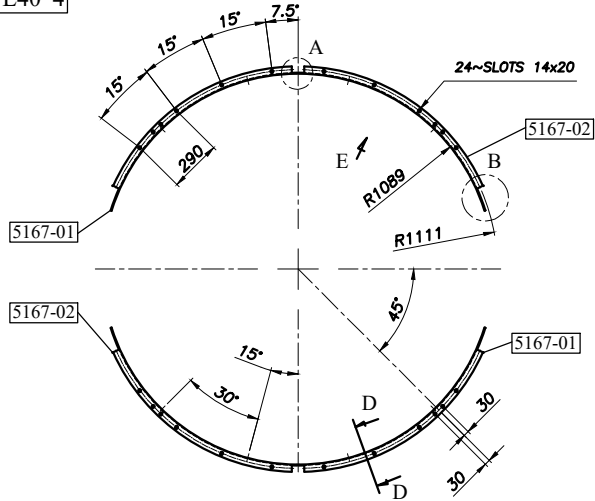
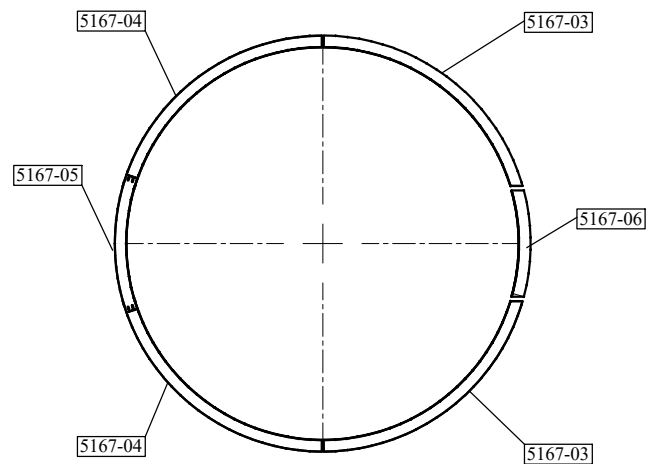
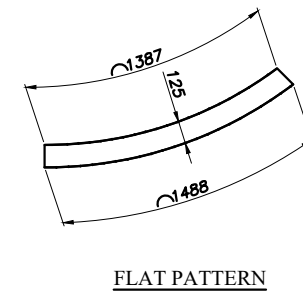


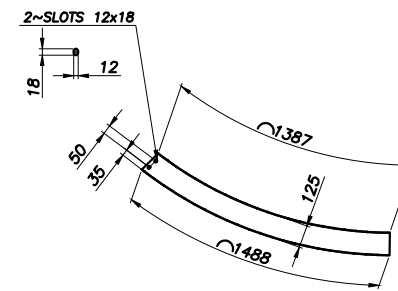
PLATE THK.=2mm



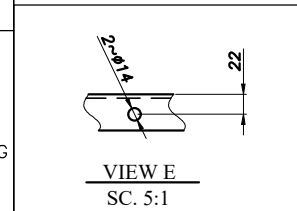
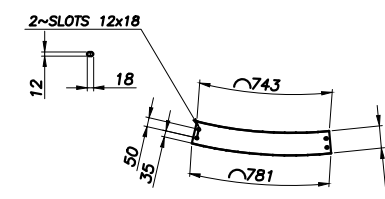
5167-03 THK.=2mm



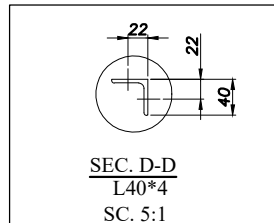
5167-04 THK.=2mm



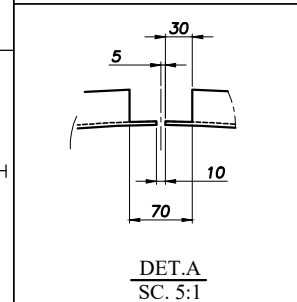
5167-05 THK.=2mm



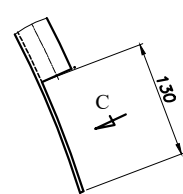
VIEW E
SC. 5:1



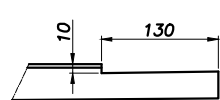
SEC. D-D
L40*4
SC. 5:1



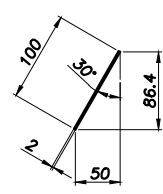
DET.A
SC. 5:1



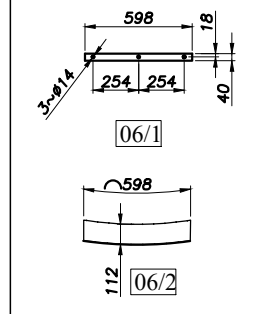
DET.B
SC. 2:1



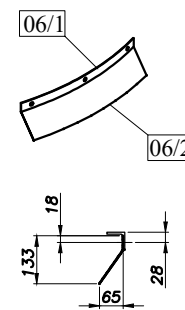
VIEW C
SC. 5:1



SEC. E-E
THK.=2mm



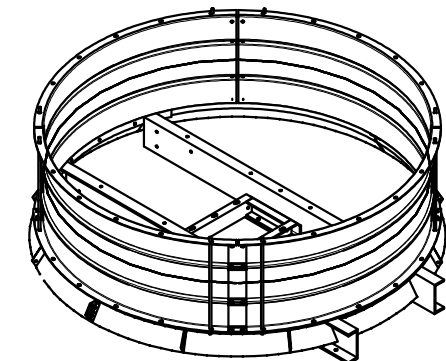
5167-06 THK.=2mm



5167-05 THK.=2mm

PART LIST										
PART NO.	DESCRIPTION	DA	LENGTH	WIDTH	THK.	MATERIAL	QTY	Unit Weight	Total Weight	REV.
5167-01	CONICAL FAN RING FOR ONE SET INCLUDING	-	-	-	-	-	4	29	115	
5167-02	L40*4	-	1300	-	4	St-37(04k)	2	3	6.7	
5167-03	PLATE	-	-	-	2	St-37(04k)	2	2.8	5.6	
5167-04	PLATE	-	-	-	2	St-37(04k)	2	2.7	4.0	
5167-05	PLATE	-	-	-	2	St-37(04k)	1	1.5	1.5	
5167-000 PLATE ASSEMBLY										
5167-001	PLATE	-	-	-	2	St-37(04k)	1	0.39	0.4	
5167-002	PLATE	-	-	-	2	St-37(04k)	1	1	1.0	
5167-07	PLATE	-	147	40	3	-	6	6.1	1.1	
5167-08	PLATE	-	120	45	5	-	4	6.2	9.8	
5167-09	PLATE	-	120	45	10	DIN 1258-ST04crnmeB	2	6.4	9.8	
5167-10	BOLT	M10	30	-	-	DIN 933-CL 8.8DacrnmeB	6	-	-	
5167-11	NUT	M10	-	-	-	DIN 934-CL 8.8DacrnmeB	6	-	-	
5167-12	WASHER	A11	-	-	-	DIN 1258-ST04crnmeB	18	-	-	
5167-13	BOLT FOR CONNECTING TO SUPPORT MECHANISM	M12	30	-	-	DIN 933-CL 8.8DacrnmeB	3	-	-	
5167-14	NUT	M12	-	-	-	DIN 934-CL 8.8DacrnmeB	3	-	-	
5167-15	WASHER	A13	-	-	-	DIN 1258-ST04crnmeB	6	-	-	
5167-16	BOLT FOR CONNECTING TO FAN RING	M12	40	-	-	DIN 933-CL 8.8DacrnmeB	24	-	-	
5167-17	NUT	M12	-	-	-	DIN 934-CL 8.8DacrnmeB	24	-	-	
5167-18	WASHER	A13	-	-	-	DIN 1258-ST04crnmeB	48	-	-	

SC. 4:1



SC. 4:1

R0	08/10/2024	ISSUED FOR APPROVAL	F.SZ	F.A.	J.B.L	A.GHZ
REV	DATE	DESCRIPTION	DRAWN BY	CHECKED BY	APPROVED BY	FINAL APPROVED BY
CLIENT:			CONTRACTOR:			
PROJECT : AIR COOLER FOR Toase-eh Park Sanati Gohar Ofogh Petrochemical Co. Fan Ring & Conical Drawing 1158-A01-5167-00 (Sheet 2 of 2)						
DWG. NO.	E1027-DMF-VD-ME-DWG-009					
SCALE :	N.T.S.	SIZE :	A3	REV. :	R0	
THIS DOCUMENT OF A CONFIDENTIAL NATURE IS THE PROPERTY OF DAMAFIN AND SHALL NOT BE REPRODUCED IN ANY MANNER, NOR USED FOR ANY PURPOSE WHATSOEVER, EXCEPT BY WRITTEN PERMISSION OF DAMAFIN.						