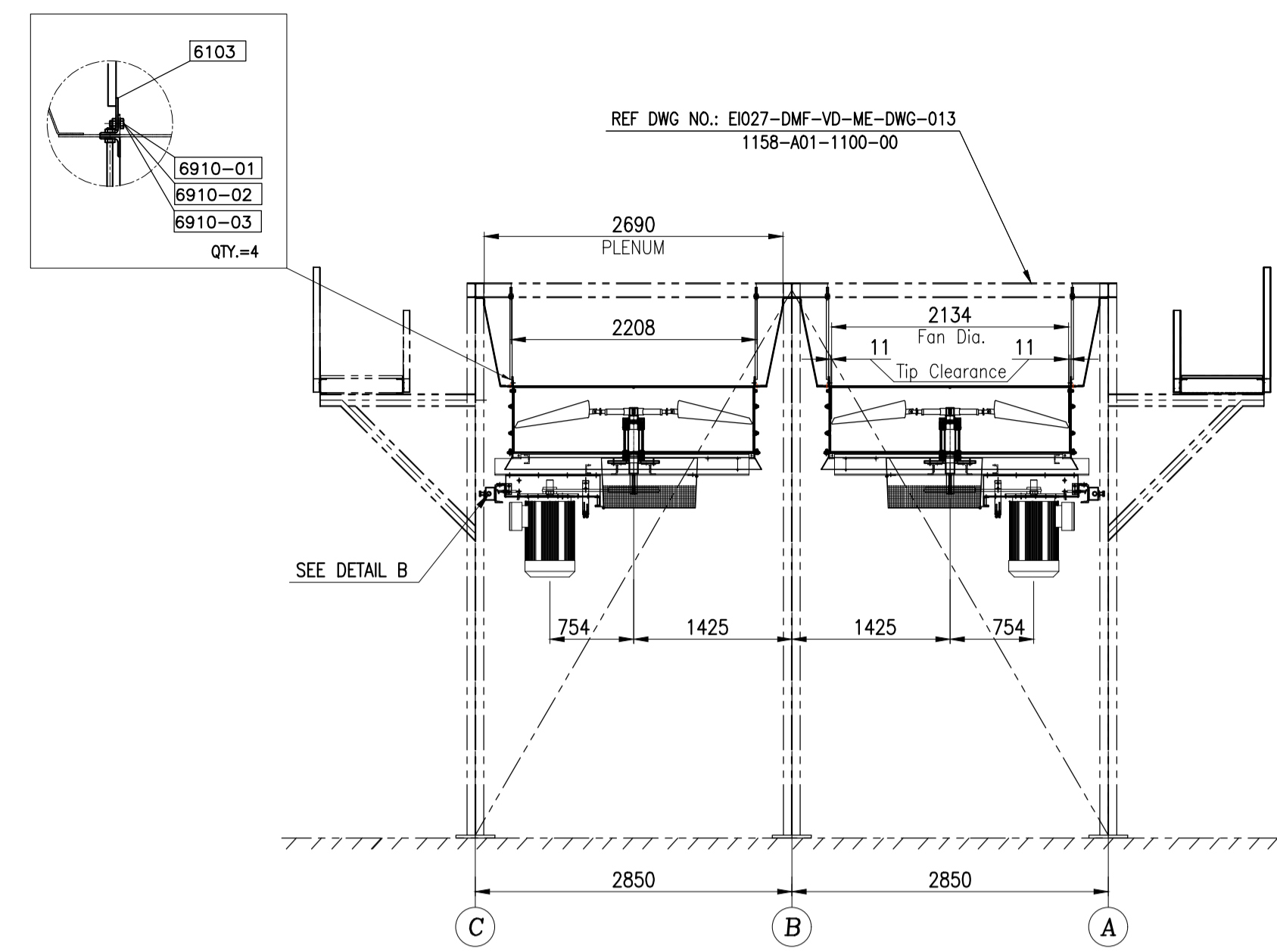
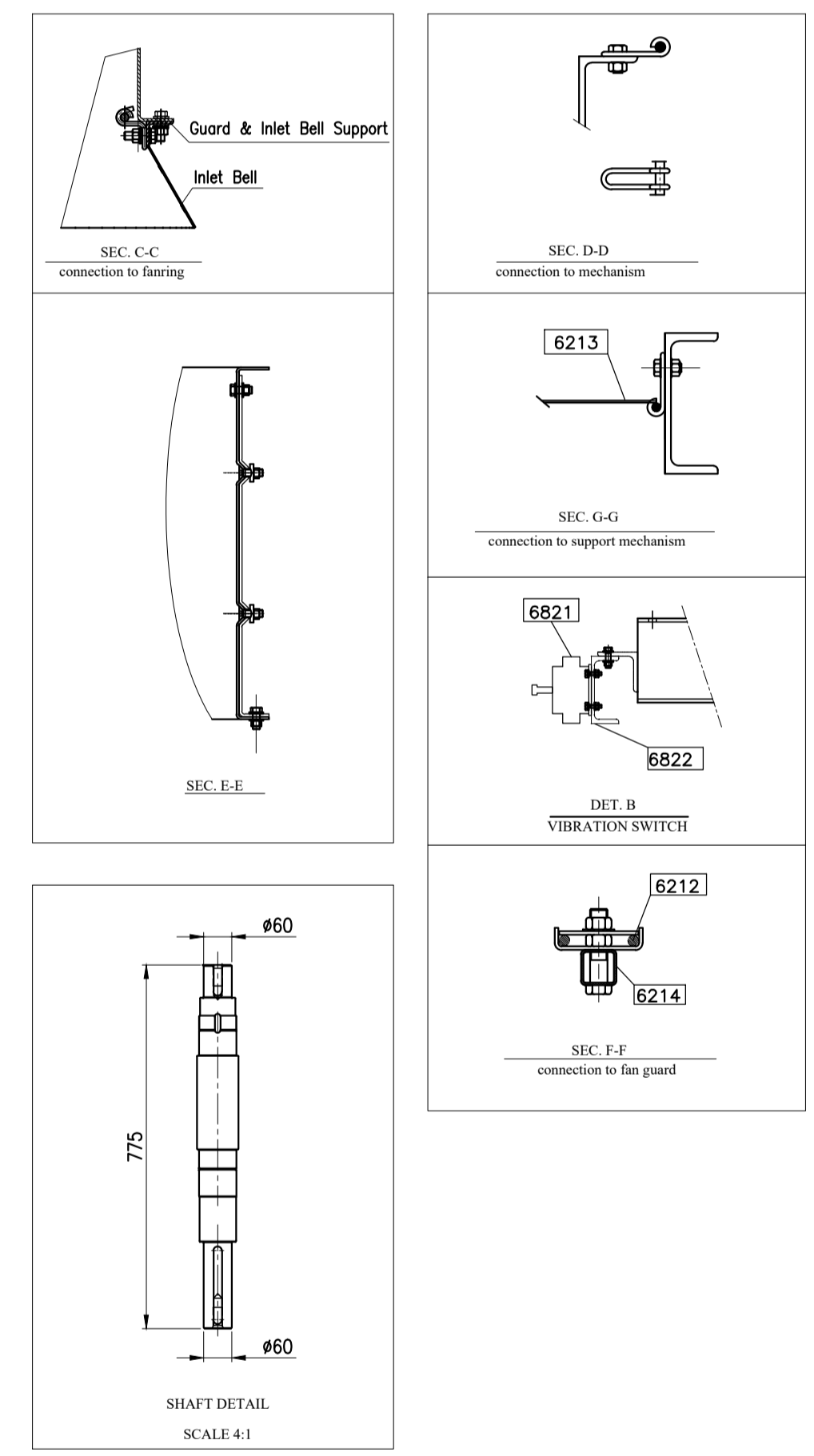
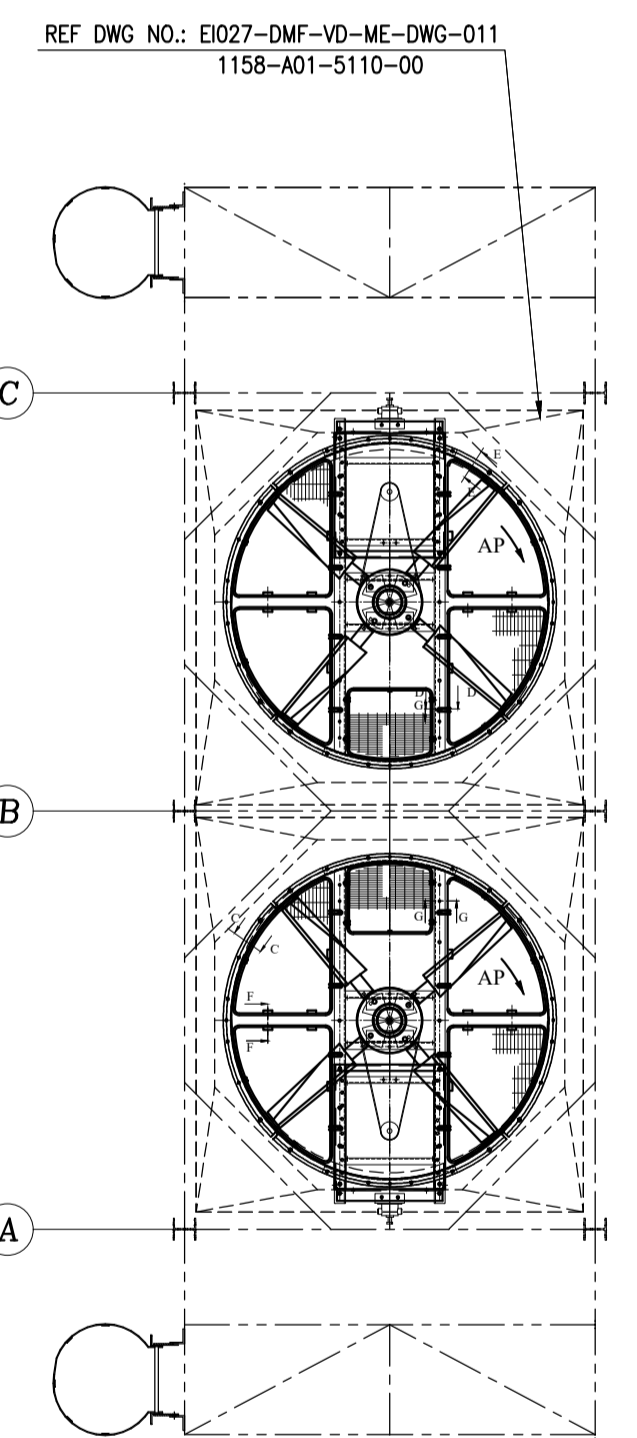


FRONT VIEW  
CL. A-C

\* THIS DIMENSION WILL BE FINALIZED AFTER APPROVED OF MOTOR DATA SHEET



SIDE VIEW



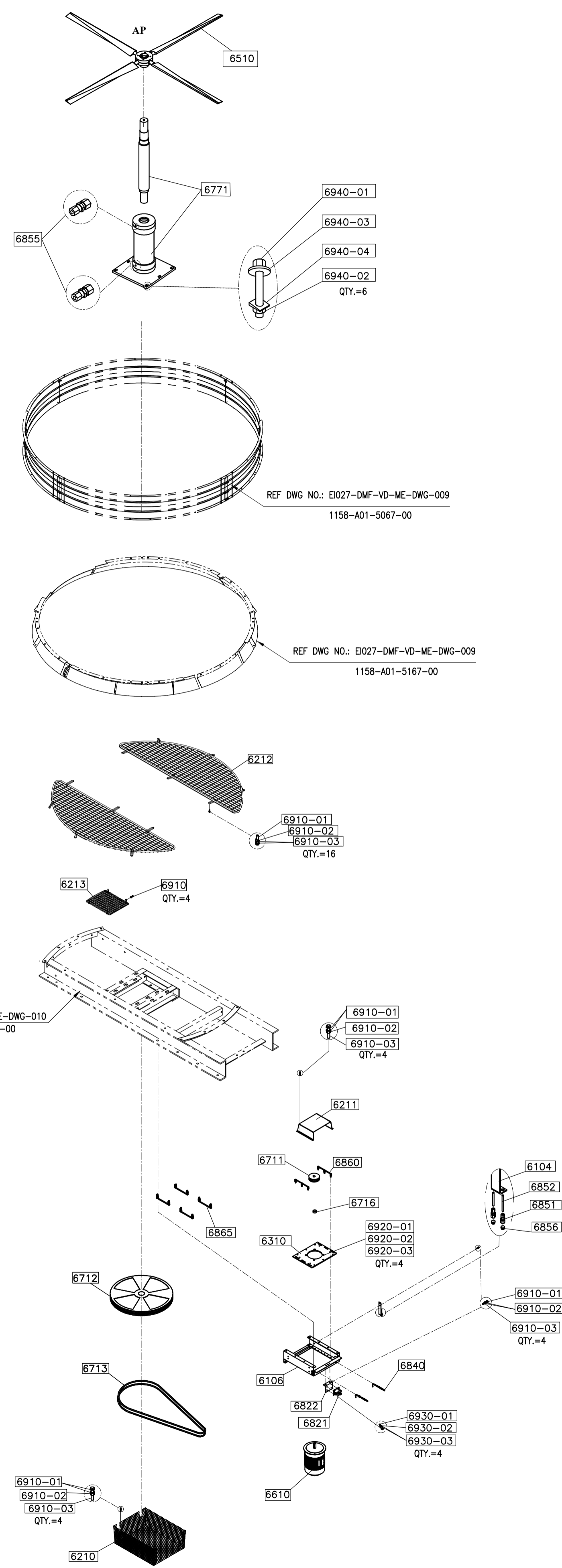
NOTE :

- 1-ALL DIMENSION ARE IN MILLIMETERS.
- 2-HOT DIP GALVANIZING SHALL BE DONE AS PER ASTM-123/ISO 1461.
- 3-BOLTS, NUTS, WASHERS, THREADS, PARTS INCLUDES THREADS SHALL BE PROJECT SPECIFICATION DOC. NO. E1027-DMF-VD-ME-QC-PRO-024
- 4-DETAILS OF THE PARTS NO. 6822-00 & 6310-00 & 6716-00 WILL BE ADDED AFTER THE MANUFACTURER HAS FINALIZED.

* FOR MORE DETAILS FOR EACH COMPONENT OF AIR COOLER REFER TO BELOW DRAWING & DOCUMENTS.		
REFERENCED DWG&DOC.		
TITLE	VENDOR DOCUMENT NO.	CLIENT DOCUMENT NO.
General Arrangement Drawing	1158-A01-1000-00	E1027-DMF-VD-ME-DWG-003
Plenum Drawing	1158-A01-5110-00	E1027-DMF-VD-ME-DWG-011
Fan Ring Drawing	1158-A01-5067-00	E1027-DMF-VD-ME-DWG-009
Support Mechanism Drawing	1158-A01-6307-00	E1027-DMF-VD-ME-DWG-010
Steel Structure Drawing	1158-A01-1100-00	E1027-DMF-VD-ST-DWG-013
Surface Preparation and Painting Procedure	1158-A01-0901-00	E1027-DMF-VD-QC-PRO-024

REFERENCE DSH.		
TITLE	VENDOR DOCUMENT NO.	CLIENT DOCUMENT NO.
Axial Fan Data Sheet	1158-A01-6510-00	E1027-DMF-VD-ME-DSH-016
Electrical Motor Data Sheet	1158-A01-6610-00	E1027-DMF-VD-EL-DSH-017
Belt & Pulley Data Sheet	1158-A01-6710-00	E1027-DMF-VD-ME-DSH-018
Vibration Switch Data Sheet	1158-A01-6800-00	E1027-DMF-VD-IN-DSH-019



PART NO.	DESCRIPTION	DIMENTION	MATERIAL	QTY.	UNIT WEIGHT (Kg)	TOTAL WEIGHT (Kg)	REV.
6000-00	FAN DRIVE ASSEMBLY FOR TWO UNITS	-	-	4	-	906	-
6000-00	FAN DRIVE ASSEMBLY FOR ONE UNITS	-	-	2	-	453	-
EACH FAN DRIVE WITH AP FAN FOR ONE SET INCLUDES :				1AP	226.5	226.5	-
6103-00	TIE BEAM	REF. SHEET 2	ST-37(Hot Dip Galv.)	2	2.5	5	-
6104-00	LUBRICATION PIPING SUPPORT	REF. SHEET 2	ST-37(Hot Dip Galv.)	1	1	1	-
6106-00	MOTOR SUPPORTING STRUCTURE	REF. SHEET 2	ST-37(Hot Dip Galv.)	1	61	61	-
6210-00	DRIVEN PULLEY GUARD	REF. SHEET 2	ST-37(Hot Dip Galv.)	1	10	10	-
6211-00	DRIVER PULLEY GUARD	REF. SHEET 2	ST-37(Hot Dip Galv.)	1	8	8	-
6212-00	FAN GUARD, 7(F)			20	-	-	-
6212-00/1	TRIANGULAR MESH			1	5	5	-
6212-00/2	TRIANGULAR MESH	REF. SHEET 2	ST-37(Hot Dip Galv.)	1	5	5	-
6212-00/3	TRIANGULAR MESH			1	5	5	-
6212-00/4	TRIANGULAR MESH			1	5	5	-
6213-00	DRIVE SUPPORTING STRUCTURE GUARD, 7(F)	REF. SHEET 2	ST-37(Hot Dip Galv.)	1	3	3	-
6214-00	FAN GUARD SUPPORT	REF. SHEET 2	ST-37(Hot Dip Galv.)	2	3	5	-
6910-00	MOTOR PLATE	REF. SHEET 2	ST-37(Hot Dip Galv.)	1	-	-	-
6910-00	FAN UNIT DIA (7 Ft) BLADE NO=4	REF. DSH	Manufacturer standard	1	-	-	-
6910-00	MOTOR (7.5 KW ELECTRIC-Exc.3B.T3-IP55)	REF. DSH	Manufacturer standard	1	-	-	-
6711-00	DRIVER PULLEY PT108SPA2P8T108SPA2	REF. DSH	GG20 ASTM A48-94a	1	-	-	-
6712-00	DRIVEN PULLEY PT402SPA2P8T402SPA2	REF. DSH	GG20 ASTM A48-94a	1	-	-	-
6713-00	BELT CAPXPA2322 CD-75A.3	REF. DSH	Manufacturer standard	2	-	-	-
6716-00	SPACER BETWEEN MOTOR&PULLEY	REF. SHEET 2	ST-37(Galv.)	1	0.3	0.3	-
6771-00	SHAFT & BEARING BLOCK	REF. DSH	Manufacturer standard	1	103	103	-
6821-00	VIBRATION SWITCH (HOLD)	REF. DSH	Manufacturer standard	1	-	-	-
6822-00	VIBRATION SWITCH SUPPORT (HOLD)	REF. SHEET 2	ST-37(Hot Dip Galv.)	1	2	2	-
6840-00	TENSIONING BOLT	M16	C.S.CL. 8.8(GALV.)A308	2	1	2	-
6851-00	UNION FEMALE CONNECTOR(1/8" NPT-8mm(TUBE))	REF. SHEET 2	S.S904L	2	0.1	0.2	-
6852-00	TUBE (OD=8 mm, ID=6)	4000	S.S904L	1	-	-	-
6855-00	UNION MALE CONNECTOR(1/4" NPT-8mm(TUBE))	REF. DSH	S.S904L	2	-	-	-
6856-00	GREASE NIPPLE (1/8" NPT)	REF. DSH	S.S904L	2	-	-	-
6860-00	CLAMP	REF. SHEET 2	C.S(GALV.)A308	2	1	2	-
6865-00	CLAMP	REF. SHEET 2	C.S(GALV.)A308	4	1	4	-

BOLT & NUT & WASHER FOR ASSEMBLY PARTS AP FAN:		1SET	4SET		
6103-03	NUT FOR TIE BEAM	M16	DIN 934 -CL.8 (Dacromet)	4	16
6103-04	WASHER	A17	DIN 125 A17 St (Dacromet)	4	16
6106-05	BOLT FOR FAN GUARD SUPPORT	M16x40	DIN 933 CL.8.8 (Dacromet)	6	24
6106-06	NUT	M16	DIN 934 -CL.8 (Dacromet)	12	48
6106-07	WASHER	A17	DIN 125 A17 St (Dacromet)	6	24
6840-02	NUT FOR TENSIONING BOLT	M16	DIN 934 -CL.8 (Dacromet)	4	16
6840-03	WASHER	A17	DIN434-16-ST(8%) (Dacromet)	2	8
6840-04	WASHER	A17	DIN 125 A17 St (Dacromet)	2	8
6860-02	BOLT FOR CLAMP	M16x55	DIN 933 CL.8.8 (Dacromet)	6	24
6860-03	NUT	M16	DIN 934 -CL.8 (Dacromet)	6	24
6860-04	WASHER	A17	DIN 125 A17 St (Dacromet)	12	48
6865-02	BOLT FOR CLAMP	M16x55	DIN 933 CL.8.8 (Dacromet)	8	32
6865-03	NUT	M16	DIN 934 -CL.8 (Dacromet)	16	64
6865-04	WASHER	A17	DIN 125 A17 St (Dacromet)	16	64

BOLT & NUT & WASHER FOR ASSEMBLY PART AP OR AV FAN:		1SET	4SET		
6910-01	BOLT	M12x40	DIN 933 CL.8.8 (Dacromet)	36	144
6910-02	NUT	M12	DIN 934 -CL.8 (Dacromet)	36	144
6910-03	WASHER	A13	DIN 125 A17 St (Dacromet)	72	288
6920-01	BOLT FOR MOTOR TO MOTOR PLATE	M16*70	DIN 933 CL.8.8 (Dacromet)	4	16
6920-02	NUT	M16	DIN 934 -CL.8 (Dacromet)	4	16
6920-03	WASHER	A17	DIN 125 A17 St (Dacromet)	4	16
6930-01	BOLT FOR VIBRATION SWITCH SUPPORT	M6*30	DIN 933 CL.8.8 (Dacromet)	4	16
6930-02	NUT	M6	DIN 934 -CL.8 (Dacromet)	4	16
6930-03	WASHER	A9	DIN 125 A17 St (Dacromet)	8	32
6840-01	BOLT FOR BEARING BLOCK TO SUPPORT MECHANISM	M16x65	DIN 933 CL.8.8 (Dacromet)	6	24
6840-02	NUT	M16	DIN 934 -CL.8 (Dacromet)	6	24
6840-03	WASHER	A17	DIN 125 A17 St (Dacromet)	6	24
6840-04	WASHER	A17	DIN434-16-ST(8%) (Dacromet)	6	24

REV	DATE	DESCRIPTION	DRAWN BY	CHECKED BY	APPROVED BY	FINAL APPROVED BY
R3	09/07/2024	ISSUED FOR APPROVAL	F.S.Z	F.A	J.B.L	A.GHZ
R2	08/31/2024	ISSUED FOR APPROVAL	F.S.Z	F.A	J.B.L	A.GHZ
R1	08/20/2024	ISSUED FOR APPROVAL	F.S.Z	F.A	J.B.L	A.GHZ
R0	08/07/2024	ISSUED FOR APPROVAL	F.S.Z	F.A	J.B.L	A.GHZ

CLIENT: **ENBR TEKNOLOJI**

PROJECT : **AIR COOLER FOR Toase-che Park Sanati Gohar Ofogh Petrochemical Co. Fan Drive Assembly Drawing 1158-A01-6000-00 (SHEET 1 OF 2)**

DWG. NO. **E1027-DMF-VD-ME-DWG-008**

SCALE : N.T.S. SIZE : A1 REV. : R3

CONTRACTOR: **dt Damafin thermal technology**

Factory : Km 14 special Karaj road

THIS DOCUMENT OF A CONFIDENTIAL NATURE IS THE PROPERTY OF DAMAFIN AND SHALL NOT BE REPRODUCED IN ANY MANNER, NOR USED FOR ANY PURPOSE WHAT SO EVER, EXCEPT BY WRITTEN PERMISSION OF DAMAFIN.

