

TOLERANCE TABLE

DIN 7166 T1

TOLERANCE RATE	sg
from 3 to 6	±0.5
from 6 to 30	± 1
from 30 to 120	±1.5
from 120 to 400	± 2
from 400 to 1000	± 3
from 1000 to 2000	± 4
from 2000 to 4000	± 6
from 4000 to 6000	± 8

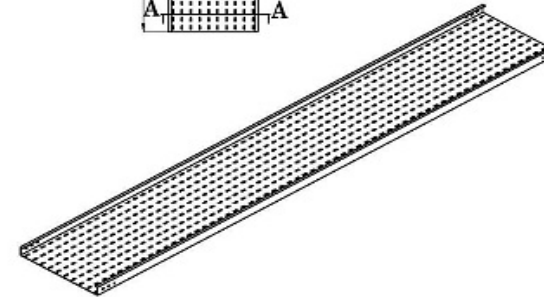
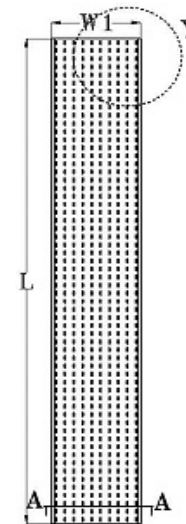
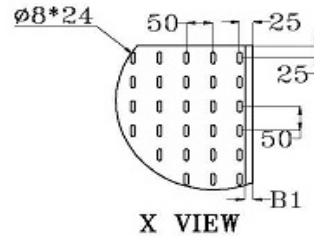
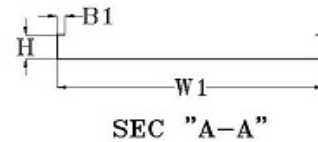
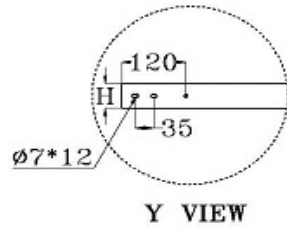
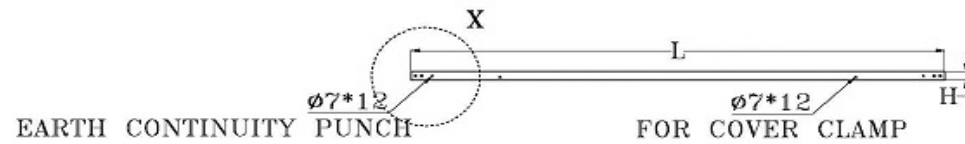
Steel Sheet : : HOT DIP GALV	W1	W2	H1	B1	B2	B3	L	R	TH	QTY
	50		50	15		0	3,000	0	1.50 mm	16

T/4IP

Note :

DESIGNED BY :		CLIENT :	حامیان صنعت انرژی		SUBJECT :	Straight Cable Tray 4l		ITEM NO.	SCALE :	
DRAWN BY :	Sh.Mehrani	23.04.25			DOC NO.	DW-403811		1	REVISION :	
CHECKED BY :	Sh.Mehrani	23.04.25	PROJECT :		CABLE TRAY & LADDER			PAGE :		1
APPROVED BY :	Sh.Mehrani	23.04.25								





TOLERANCE TABLE

DIN 7166 T1

TOLERANCE RATE	sg
from 3 to 6	$\pm 0.5$
from 6 to 30	$\pm 1$
from 30 to 120	$\pm 1.5$
from 120 to 400	$\pm 2$
from 400 to 1000	$\pm 3$
from 1000 to 2000	$\pm 4$
from 2000 to 4000	$\pm 6$
from 4000 to 6000	$\pm 8$

Steel Sheet : : HOT DIP GALV	W1	W2	H1	B1	B2	B3	L	R	TH	QTY
	100		50	15		0	3,000	0	1.50 mm	10

T/4IP

Note :

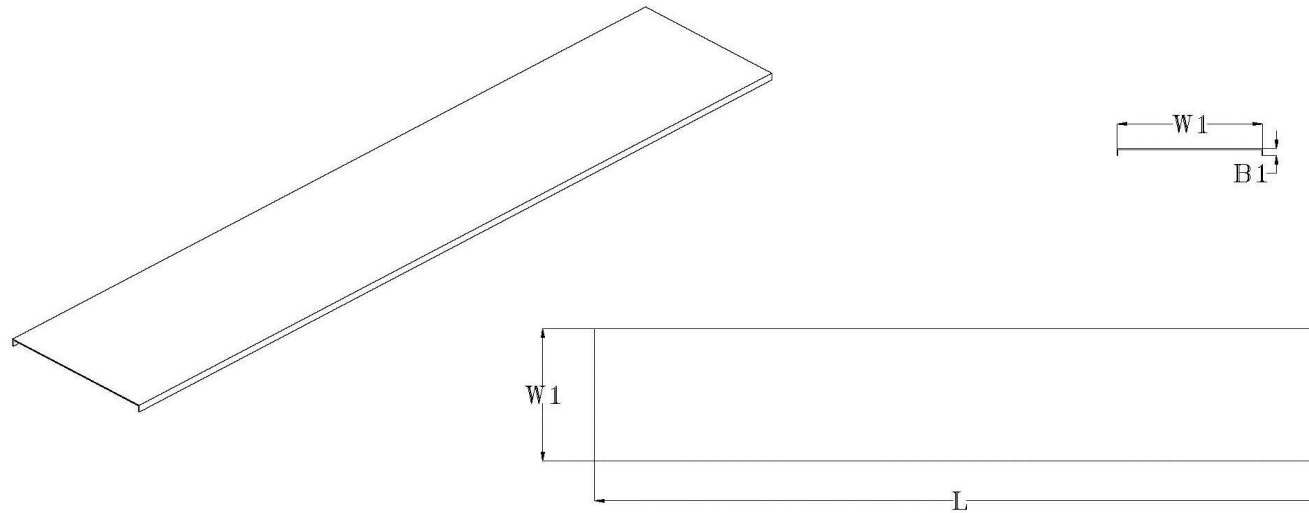
DESIGNED BY :		CLIENT :	حامیان صنعت انرژی		SUBJECT :	Straight Cable Tray 4l		ITEM NO.	SCALE :	
DRAWN BY :	Sh.Mehrani	23.04.25			DOC NO.	DW-403811		2	REVISION :	
CHECKED BY :	Sh.Mehrani	23.04.25	PROJECT :		CABLE TRAY & LADDER				PAGE :	
APPROVED BY :	Sh.Mehrani	23.04.25							2	



TOLERANCE TABLE

DIN 7166 T1

TOLERANCE RATE	sg
from 3 to 6	±0.5
from 6 to 30	± 1
from 30 to 120	±1.5
from 120 to 400	± 2
from 400 to 1000	± 3
from 1000 to 2000	± 4
from 2000 to 4000	± 6
from 4000 to 6000	± 8



Note :

Steel Sheet : :	W1	W2	H1	B1	B2	B3	L	R	TH	QTY
HOT DIP GALV	50			15		0	3,000	0	1.50 mm	16

C/2IS

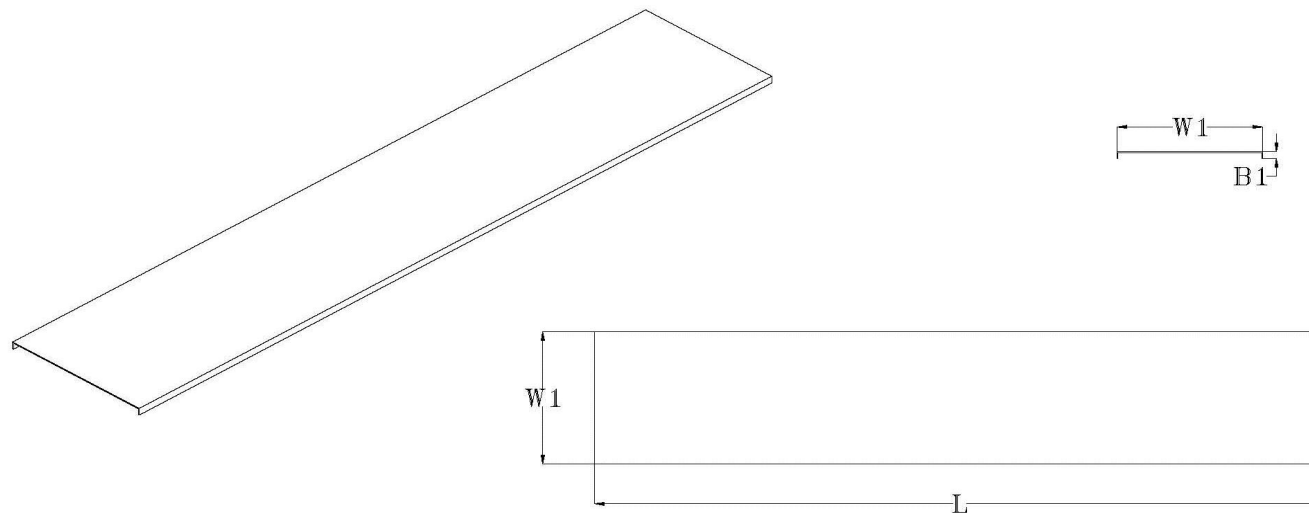
DESIGNED BY :		CLIENT :	حامیان صنعت انرژی		SUBJECT :	Straight Cover	ITEM NO.	SCALE :
DRAWN BY :	Sh.Mehrani	23.04.25	PROJECT :	CABLE TRAY & LADDER	DOC NO.	DW-403811	1	REVISION :
CHECKED BY :	Sh.Mehrani	23.04.25						PAGE :
APPROVED BY :	Sh.Mehrani	23.04.25						3



TOLERANCE TABLE

DIN 7166 T1

TOLERANCE RATE	sg
from 3 to 6	±0.5
from 6 to 30	± 1
from 30 to 120	±1.5
from 120 to 400	± 2
from 400 to 1000	± 3
from 1000 to 2000	± 4
from 2000 to 4000	± 6
from 4000 to 6000	± 8



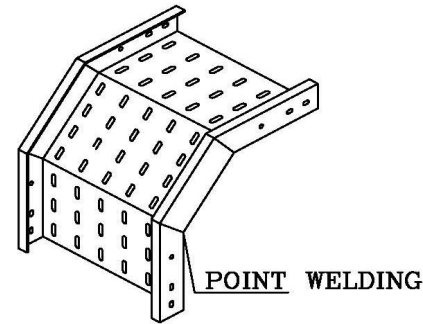
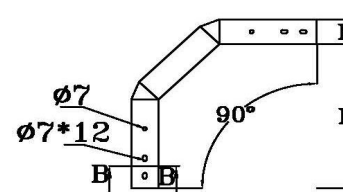
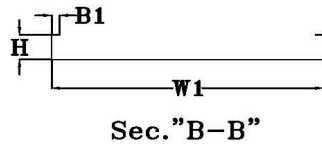
Note :

Steel Sheet : :	W1	W2	H1	B1	B2	B3	L	R	TH	QTY
HOT DIP GALV	100			15		0	3,000	0	1.50 mm	10

C/2IS

DESIGNED BY :		CLIENT :	حامیان صنعت انرژی	SUBJECT :	Straight Cover	ITEM NO.	2	SCALE :	
DRAWN BY :	Sh.Mehrani	23.04.25		DOC NO.	DW-403811			REVISION :	
CHECKED BY :	Sh.Mehrani	23.04.25	PROJECT :	CABLE TRAY & LADDER				PAGE :	4
APPROVED BY :	Sh.Mehrani	23.04.25							





TOLERANCE TABLE

DIN 7166 T1

TOLERANCE RATE	sg
from 3 to 6	±0.5
from 6 to 30	± 1
from 30 to 120	±1.5
from 120 to 400	± 2
from 400 to 1000	± 3
from 1000 to 2000	± 4
from 2000 to 4000	± 6
from 4000 to 6000	± 8

Note :

Steel Sheet : : HOT DIP GALV	W1	W2	H1	B1	B2	B3	L	R	TH	QTY
	50		50	15		0		300	1.50 mm	4

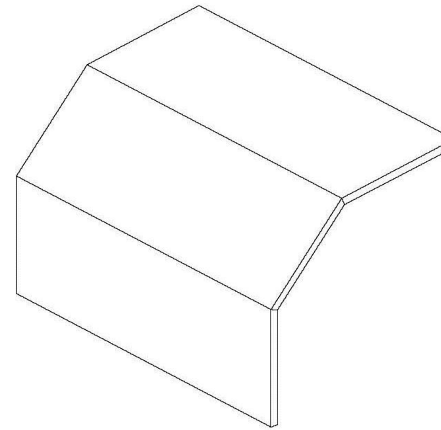
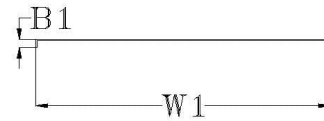
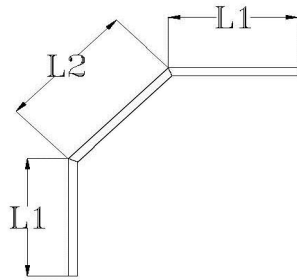
TVO90/4IP-3

DESIGNED BY :		CLIENT :	حامیان صنعت انرژی			SUBJECT :	Vertical Elbow Tray 90° Outside 4l	ITEM NO. 3	SCALE :
DRAWN BY :	Sh.Mehrani 23.04.25	PROJECT :	CABLE TRAY & LADDER			DOC NO.	DW-403811		REVISION :
CHECKED BY :	Sh.Mehrani 23.04.25							PAGE :	5
APPROVED BY :	Sh.Mehrani 23.04.25								

TOLERANCE TABLE

DIN 7166 T1

TOLERANCE RATE	sg
from 3 to 6	±0.5
from 6 to 30	± 1
from 30 to 120	±1.5
from 120 to 400	± 2
from 400 to 1000	± 3
from 1000 to 2000	± 4
from 2000 to 4000	± 6
from 4000 to 6000	± 8

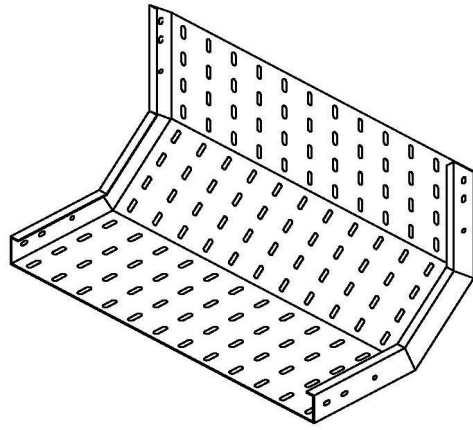
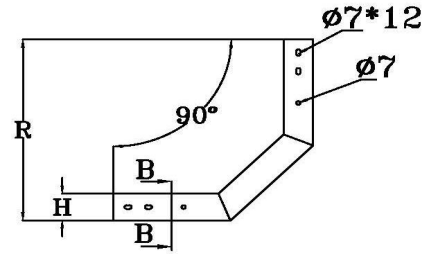
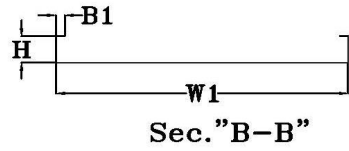


Note :

Steel Sheet : : HOT DIP GALV	W1	W2	H1	B1	B2	B3	L	R	TH	QTY
	50			15		0		300	1.50 mm	4

CVO90/2IS-3

DESIGNED BY :		CLIENT :	حامیان صنعت انرژی			SUBJECT :	Vertical Elbow 90° Outside Cover	ITEM NO. 3	SCALE :
DRAWN BY :	Sh.Mehrani 23.04.25	PROJECT :	CABLE TRAY & LADDER			DOC NO.	DW-403811		REVISION :
CHECKED BY :	Sh.Mehrani 23.04.25							PAGE :	6
APPROVED BY :	Sh.Mehrani 23.04.25								



TOLERANCE TABLE		
DIN 7166 T1		
TOLERANCE RATE		sg
from 3 to 6	±0.5	
from 6 to 30	±1	
from 30 to 120	±1.5	
from 120 to 400	±2	
from 400 to 1000	±3	
from 1000 to 2000	±4	
from 2000 to 4000	±6	
from 4000 to 6000	±8	

Steel Sheet : : HOT DIP GALV	W1	W2	H1	B1	B2	B3	L	R	TH	QTY
	100		50	15		0		300	1.50 mm	4

TVI90/4IP-3

Note :

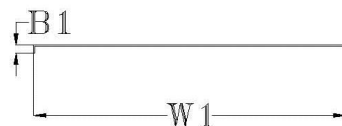
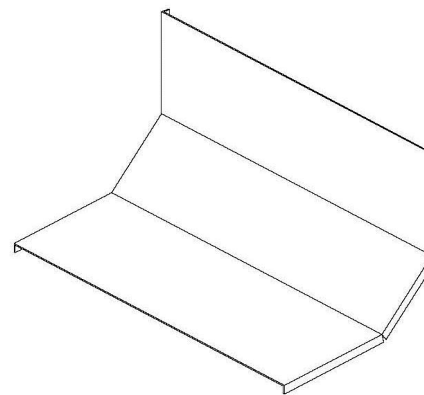
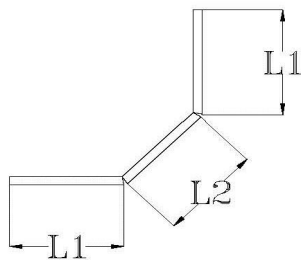
DESIGNED BY :		CLIENT :	حامیان صنعت انرژی	SUBJECT :	Vertical Elbow Tray 90° Inside 4I	ITEM NO.	5	SCALE :	
DRAWN BY :	Sh.Mehrani	23.04.25		DOC NO.	DW-403811			REVISION :	
CHECKED BY :	Sh.Mehrani	23.04.25	PROJECT :	CABLE TRAY & LADDER				PAGE :	7
APPROVED BY :	Sh.Mehrani	23.04.25							



TOLERANCE TABLE

DIN 7166 T1

TOLERANCE RATE	sg
from 3 to 6	±0.5
from 6 to 30	± 1
from 30 to 120	±1.5
from 120 to 400	± 2
from 400 to 1000	± 3
from 1000 to 2000	± 4
from 2000 to 4000	± 6
from 4000 to 6000	± 8



Note :

Steel Sheet : : HOT DIP GALV	W1	W2	H1	B1	B2	B3	L	R	TH	QTY
	100					0		0	1.50 mm	4

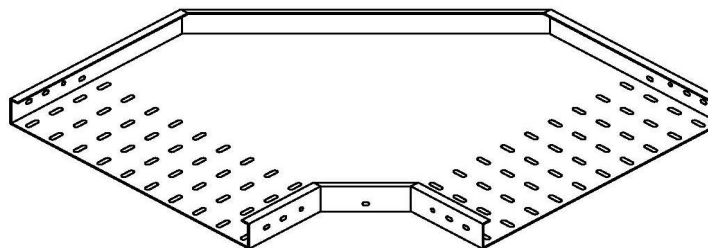
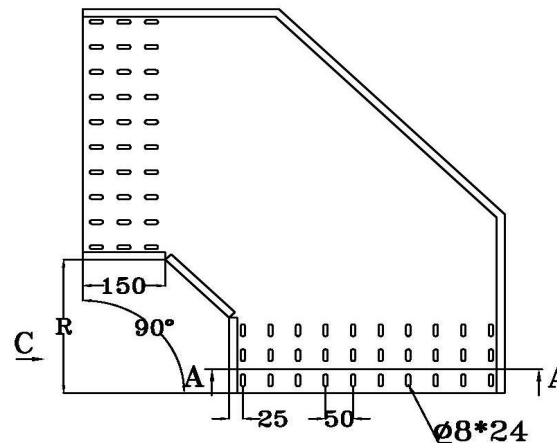
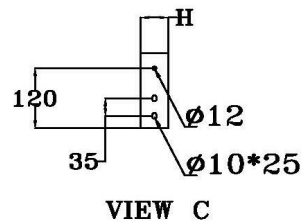
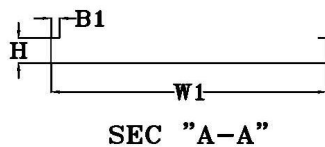
CVI90/2IS-3

DESIGNED BY :		CLIENT :	حامیان صنعت انرژی			SUBJECT :	Vertical Elbow 90° Inside Cover	ITEM NO. 5	SCALE :
DRAWN BY :	Sh.Mehrani 23.04.25	PROJECT :	CABLE TRAY & LADDER			DOC NO.	DW-403811		REVISION :
CHECKED BY :	Sh.Mehrani 23.04.25							PAGE :	8
APPROVED BY :	Sh.Mehrani 23.04.25								

TOLERANCE TABLE

DIN 7166 T1

TOLERANCE RATE	sg
from 3 to 6	±0.5
from 6 to 30	± 1
from 30 to 120	±1.5
from 120 to 400	± 2
from 400 to 1000	± 3
from 1000 to 2000	± 4
from 2000 to 4000	± 6
from 4000 to 6000	± 8



Note :

Steel Sheet : : HOT DIP GALV	W1	W2	H1	B1	B2	B3	L	R	TH	QTY
	50	50	50	15		0		266	1.50 mm	6

T90/4IP

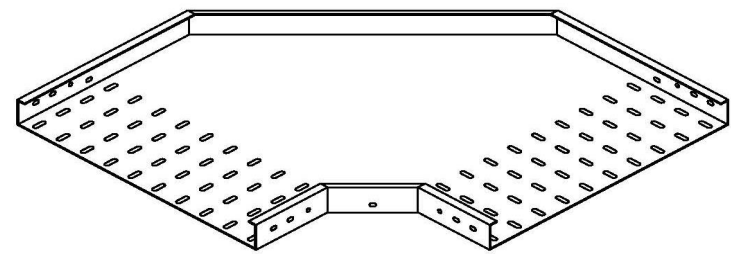
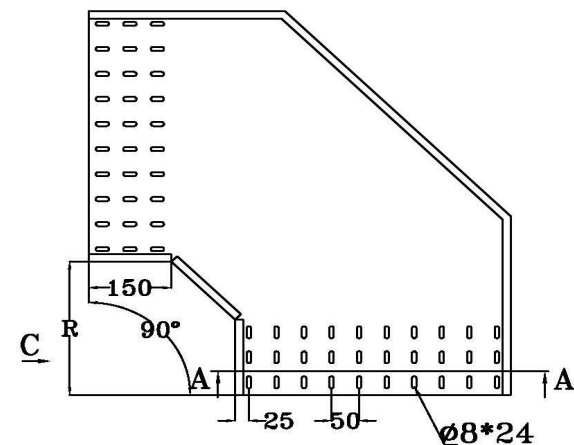
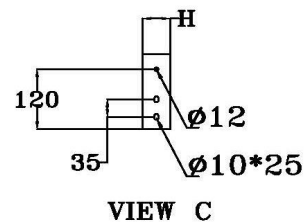
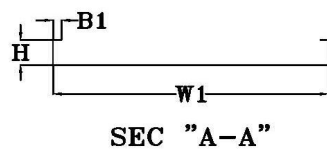
DESIGNED BY :		CLIENT :	حامیان صنعت انرژی		SUBJECT :	Horizontal Elbow Tray 90° 4I	ITEM NO.	SCALE :
DRAWN BY :	Sh.Mehrani 23.04.25	PROJECT :	CABLE TRAY & LADDER		DOC NO.	DW-403811	4	REVISION :
CHECKED BY :	Sh.Mehrani 23.04.25							PAGE :
APPROVED BY :	Sh.Mehrani 23.04.25							9



TOLERANCE TABLE

DIN 7166 T1

TOLERANCE RATE	sg
from 3 to 6	±0.5
from 6 to 30	± 1
from 30 to 120	±1.5
from 120 to 400	± 2
from 400 to 1000	± 3
from 1000 to 2000	± 4
from 2000 to 4000	± 6
from 4000 to 6000	± 8



Note :

Steel Sheet : : HOT DIP GALV	W1	W2	H1	B1	B2	B3	L	R	TH	QTY
	100	100	50	15		0		266	1.50 mm	6

T90/4IP

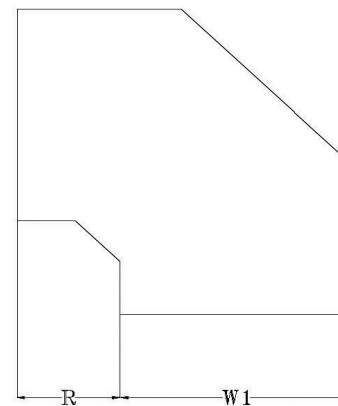
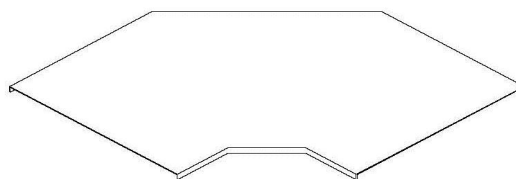
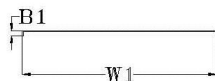
DESIGNED BY :		CLIENT :	حامیان صنعت انرژی		SUBJECT :	Horizontal Elbow Tray 90° 4I	ITEM NO.	SCALE :
DRAWN BY :	Sh.Mehrani 23.04.25	PROJECT :	CABLE TRAY & LADDER		DOC NO.	DW-403811	6	REVISION :
CHECKED BY :	Sh.Mehrani 23.04.25							PAGE :
APPROVED BY :	Sh.Mehrani 23.04.25							10



TOLERANCE TABLE

DIN 7166 T1

TOLERANCE RATE	sg
from 3 to 6	±0.5
from 6 to 30	± 1
from 30 to 120	±1.5
from 120 to 400	± 2
from 400 to 1000	± 3
from 1000 to 2000	± 4
from 2000 to 4000	± 6
from 4000 to 6000	± 8



Steel Sheet : : HOT DIP GALV	W1	W2	H1	B1	B2	B3	L	R	TH	QTY
	50	50		15		0		266	1.50 mm	6

C90/2IS

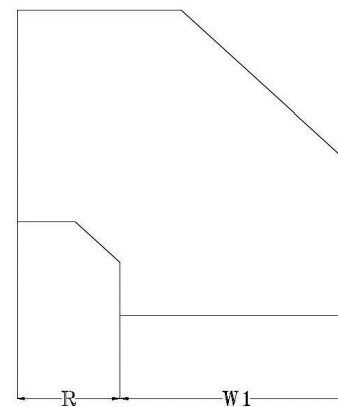
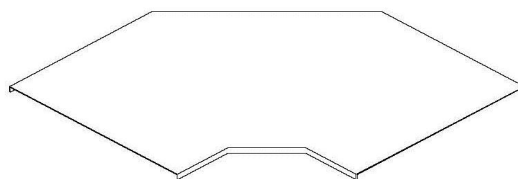
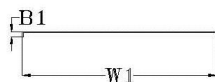
Note :

DESIGNED BY :		CLIENT :		SUBJECT :	Horizontal Elbow Cover 90° DOC NO. DW-403811	ITEM NO.	SCALE :
DRAWN BY :	Sh.Mehrani 23.04.25	CLIENT :		CLIENT :		REVISION :	
CHECKED BY :	Sh.Mehrani 23.04.25	PROJECT :		PROJECT :		PAGE :	
APPROVED BY :	Sh.Mehrani 23.04.25	CABLE TRAY & LADDER				4	11

TOLERANCE TABLE

DIN 7166 T1

TOLERANCE RATE	sg
from 3 to 6	±0.5
from 6 to 30	± 1
from 30 to 120	±1.5
from 120 to 400	± 2
from 400 to 1000	± 3
from 1000 to 2000	± 4
from 2000 to 4000	± 6
from 4000 to 6000	± 8



Steel Sheet : : HOT DIP GALV	W1	W2	H1	B1	B2	B3	L	R	TH	QTY
	100	100		15		0		266	1.50 mm	6

C90/2IS

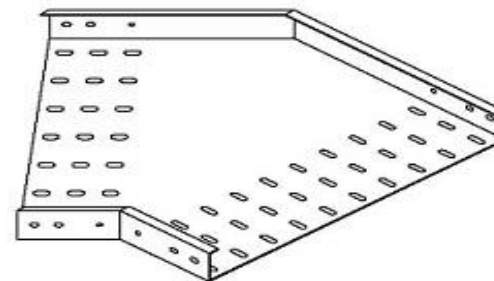
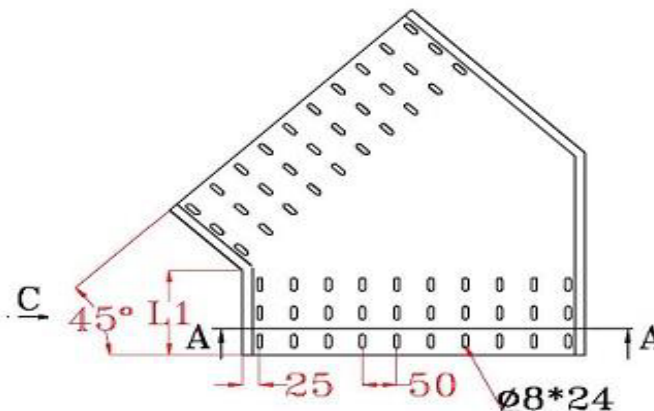
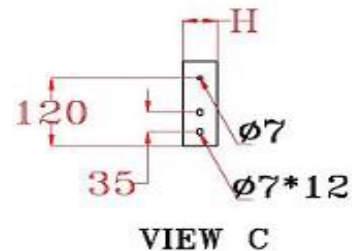
Note :

DESIGNED BY :		CLIENT :		SUBJECT :	6 12	SCALE :
DRAWN BY :	Sh.Mehrani 23.04.25	حامیان صنعت انرژی		Horizontal Elbow Cover 90°		REVISION :
CHECKED BY :	Sh.Mehrani 23.04.25	PROJECT :		DOC NO.		PAGE :
APPROVED BY :	Sh.Mehrani 23.04.25	CABLE TRAY & LADDER		DW-403811		12

TOLERANCE TABLE

DIN 7166 T1

TOLERANCE RATE	sg
from 3 to 6	±0.5
from 6 to 30	± 1
from 30 to 120	±1.5
from 120 to 400	± 2
from 400 to 1000	± 3
from 1000 to 2000	± 4
from 2000 to 4000	± 6
from 4000 to 6000	± 8



Steel Sheet : :	W1	W2	H1	B1	B2	B3	L	R	TH	QTY
HOT DIP GALV	100		50	15		0		450	1.50 mm	6

T45/4IP-3

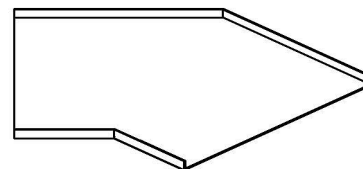
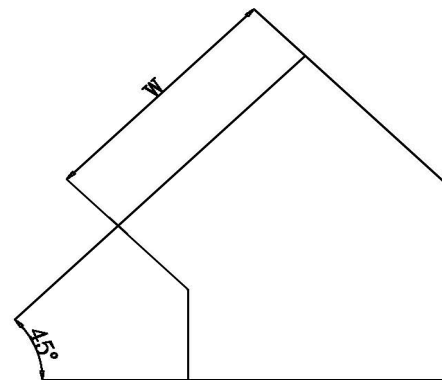
Note :

DESIGNED BY :		CLIENT :	حامیان صنعت انرژی		SUBJECT :	Horizontal Elbow Tray 45° 4I	ITEM NO. 7	SCALE :
DRAWN BY :	Sh.Mehrani 23.04.25	PROJECT :	CABLE TRAY & LADDER		DOC NO.	DW-403811		REVISION :
CHECKED BY :	Sh.Mehrani 23.04.25						PAGE :	13
APPROVED BY :	Sh.Mehrani 23.04.25							

## TOLERANCE TABLE

DIN 7166 T1

TOLERANCE RATE	sg
from 3 to 6	±0.5
from 6 to 30	± 1
from 30 to 120	±1.5
from 120 to 400	± 2
from 400 to 1000	± 3
from 1000 to 2000	± 4
from 2000 to 4000	± 6
from 4000 to 6000	± 8

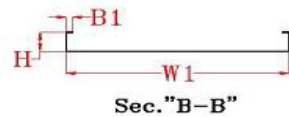


Note :

Steel Sheet : : HOT DIP GALV	W1	W2	H1	B1	B2	B3	L	R	TH	QTY
	100			15		0		450	1.50 mm	6

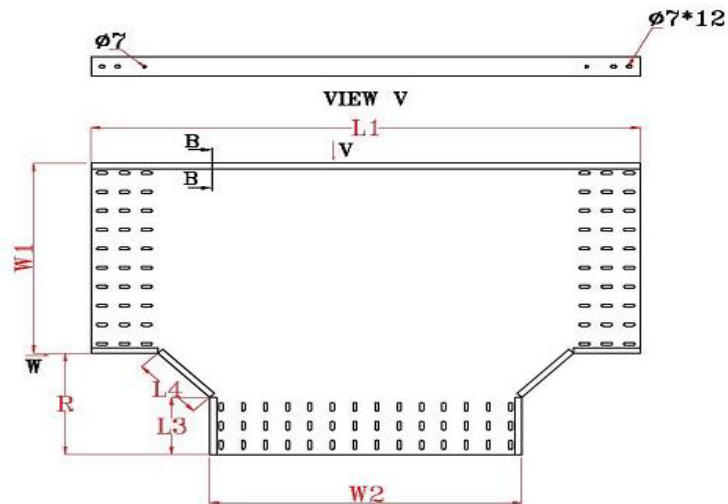
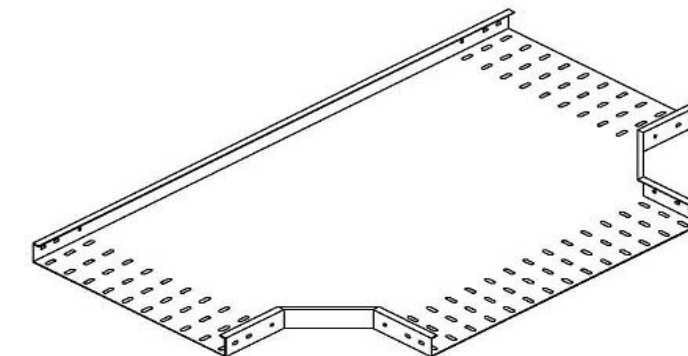
C45/2IS

DESIGNED BY :			CLIENT :		SUBJECT :	Horizontal Elbow Cover 45°	ITEM NO.	SCALE :	
DRAWN BY :	Sh.Mehrani	23.04.25	حامیان صنعت انرژی		DOC NO.			DW-403811	7
CHECKED BY :	Sh.Mehrani	23.04.25	PROJECT :	CABLE TRAY & LADDER				PAGE :	14
APPROVED BY :	Sh.Mehrani	23.04.25							



Ø7\*12 FOR COVER CLAMP

VIEW W



TOLERANCE TABLE

DIN 7166 T1

TOLERANCE RATE	sg
from 3 to 6	±0.5
from 6 to 30	± 1
from 30 to 120	±1.5
from 120 to 400	± 2
from 400 to 1000	± 3
from 1000 to 2000	± 4
from 2000 to 4000	± 6
from 4000 to 6000	± 8

Steel Sheet : :  
HOT DIP GALV

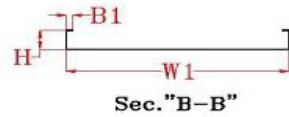
W1	W2	H1	B1	B2	B3	L	R	TH	QTY
100	50	50	15		0		266	1.50 mm	3

TT/4IP

Note :

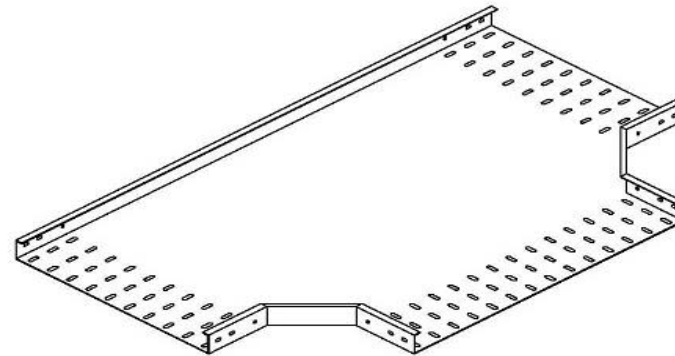
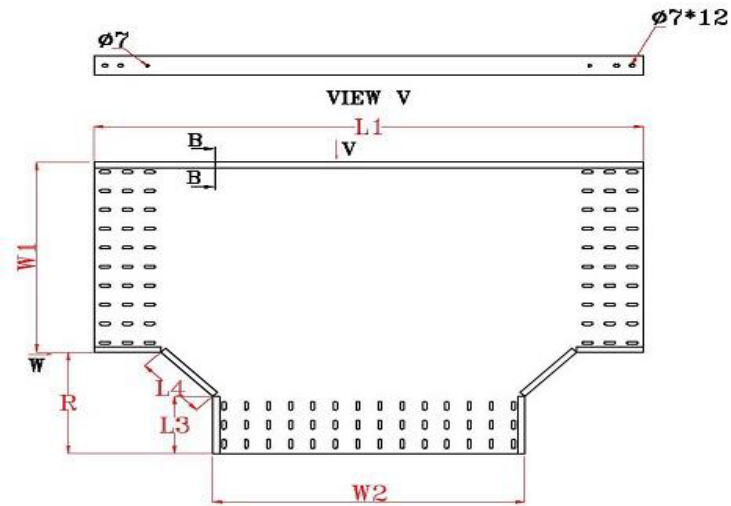
DESIGNED BY :		CLIENT :	حامیان صنعت انرژی		SUBJECT :	Horizontal Tee Tray 4I	ITEM NO.	SCALE :
DRAWN BY :	Sh.Mehrani	23.04.25	PROJECT : CABLE TRAY & LADDER		DW-403811	8	REVISION :	
CHECKED BY :	Sh.Mehrani	23.04.25					PAGE :	15
APPROVED BY :	Sh.Mehrani	23.04.25						





Ø7\*12 FOR COVER CLAMP

VIEW W



TOLERANCE TABLE

DIN 7166 T1

TOLERANCE RATE	sg
from 3 to 6	±0.5
from 6 to 30	± 1
from 30 to 120	±1.5
from 120 to 400	± 2
from 400 to 1000	± 3
from 1000 to 2000	± 4
from 2000 to 4000	± 6
from 4000 to 6000	± 8

Steel Sheet : :  
HOT DIP GALV

W1	W2	H1	B1	B2	B3	L	R	TH	QTY
100	100	50	15		0		266	1.50 mm	3

TT/4IP

Note :

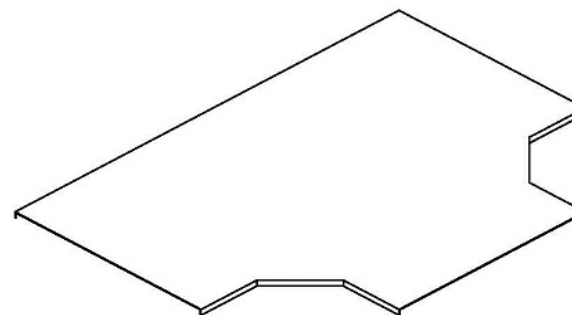
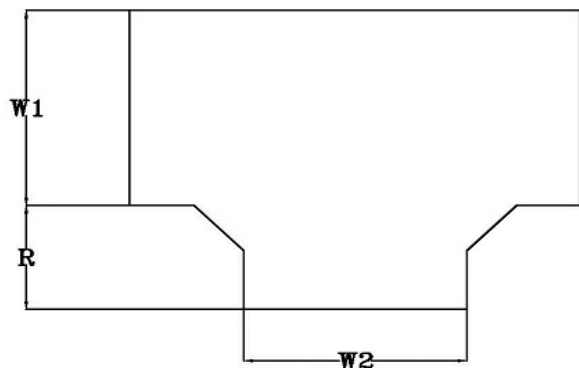
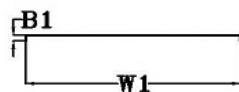
DESIGNED BY :		CLIENT :	حامیان صنعت انرژی		SUBJECT :	Horizontal Tee Tray 4I	ITEM NO.	SCALE :		
DRAWN BY :	Sh.Mehrani	23.04.25	PROJECT :		DOC NO.	DW-403811	9	REVISION :		
CHECKED BY :	Sh.Mehrani	23.04.25			CABLE TRAY & LADDER				PAGE :	16
APPROVED BY :	Sh.Mehrani	23.04.25								



TOLERANCE TABLE

DIN 7166 T1

TOLERANCE RATE	sg
from 3 to 6	±0.5
from 6 to 30	± 1
from 30 to 120	±1.5
from 120 to 400	± 2
from 400 to 1000	± 3
from 1000 to 2000	± 4
from 2000 to 4000	± 6
from 4000 to 6000	± 8



Note :

Steel Sheet : : HOT DIP GALV	W1	W2	H1	B1	B2	B3	L	R	TH	QTY
	100	50		15		0		266	1.50 mm	3

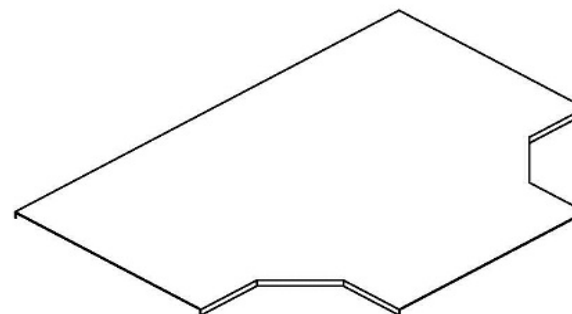
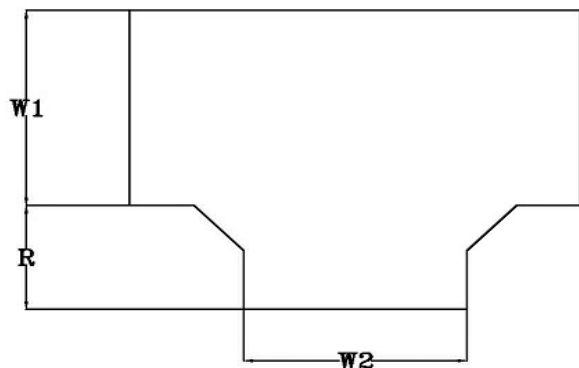
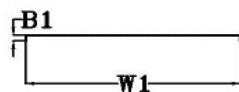
CT/2IS

DESIGNED BY :		CLIENT :		SUBJECT :	Horizontal Tee Cover	ITEM NO.	SCALE :
DRAWN BY :	Sh.Mehrani 23.04.25	حامیان صنعت انرژی		DOC NO.			8
CHECKED BY :	Sh.Mehrani 23.04.25	PROJECT :		DW-403811	PAGE :	17	
APPROVED BY :	Sh.Mehrani 23.04.25	CABLE TRAY & LADDER					

TOLERANCE TABLE

DIN 7166 T1

TOLERANCE RATE	sg
from 3 to 6	±0.5
from 6 to 30	± 1
from 30 to 120	±1.5
from 120 to 400	± 2
from 400 to 1000	± 3
from 1000 to 2000	± 4
from 2000 to 4000	± 6
from 4000 to 6000	± 8



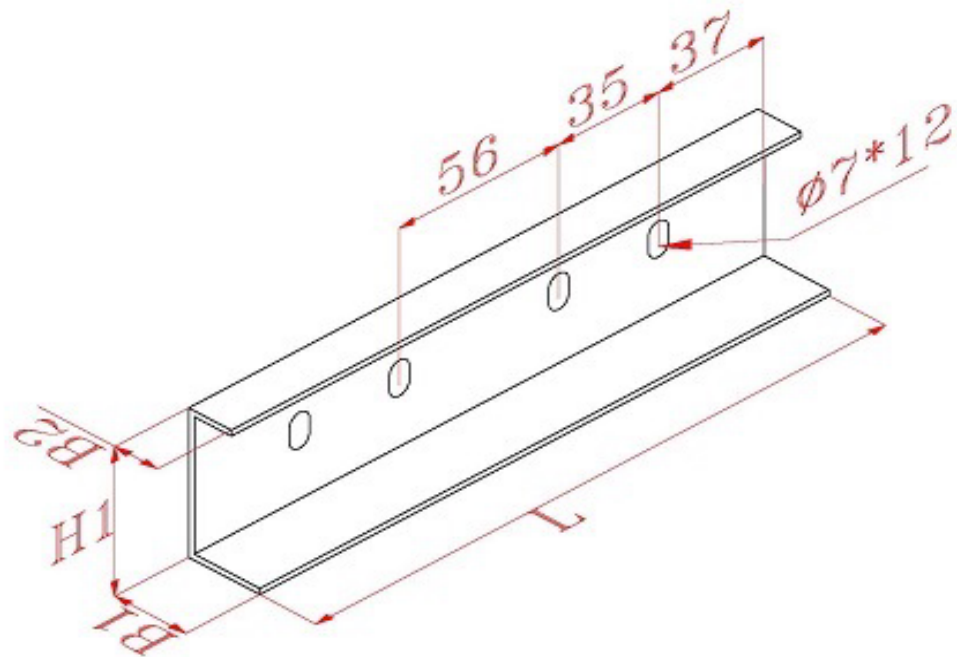
Note :

Steel Sheet : : HOT DIP GALV	W1	W2	H1	B1	B2	B3	L	R	TH	QTY
	100	100		15		0		266	1.50 mm	3

CT/2IS

DESIGNED BY :		CLIENT :	حامیان صنعت انرژی		SUBJECT :	Horizontal Tee Cover	ITEM NO.	SCALE :
DRAWN BY :	Sh.Mehrani	23.04.25	PROJECT :	CABLE TRAY & LADDER	DOC NO.	DW-403811	9	REVISION :
CHECKED BY :	Sh.Mehrani	23.04.25						PAGE :
APPROVED BY :	Sh.Mehrani	23.04.25						18





TOLERANCE TABLE

DIN 7166 T1

TOLERANCE RATE	sg
from 3 to 6	±0.5
from 6 to 30	± 1
from 30 to 120	±1.5
from 120 to 400	± 2
from 400 to 1000	± 3
from 1000 to 2000	± 4
from 2000 to 4000	± 6
from 4000 to 6000	± 8

4 Bolt & Nut with flat & spring washer M6\*20 Mushroom head

Steel Sheet : : HOT DIP GALV	W1	W2	H1	B1	B2	B3	L	R	TH	QTY
			50	27	17	0	200	0	1.50 mm	128

Note :

JS/2IP

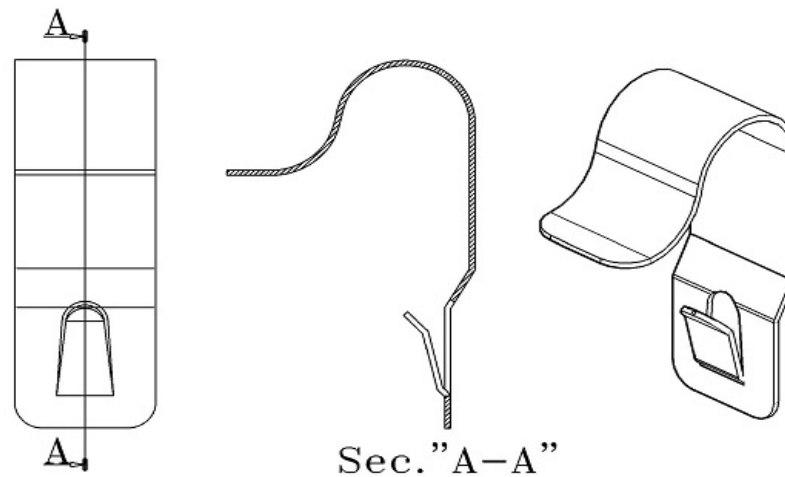
DESIGNED BY :		CLIENT :	حامیان صنعت انرژی		SUBJECT :	Straight Joint		ITEM NO.	SCALE :
DRAWN BY :	Sh.Mehrani	23.04.25	PROJECT :	CABLE TRAY & LADDER	DOC NO.	DW-403811		-	REVISION :
CHECKED BY :	Sh.Mehrani	23.04.25							PAGE :
APPROVED BY :	Sh.Mehrani	23.04.25							19



## TOLERANCE TABLE

DIN 7166 T1

TOLERANCE RATE	sg
from 3 to 6	$\pm 0.5$
from 6 to 30	$\pm 1$
from 30 to 120	$\pm 1.5$
from 120 to 400	$\pm 2$
from 400 to 1000	$\pm 3$
from 1000 to 2000	$\pm 4$
from 2000 to 4000	$\pm 6$
from 4000 to 6000	$\pm 8$



Sec. "A-A"

Note :

Steel Sheet : :	W1	W2	H1	B1	B2	B3	L	R	TH	QTY
-						0		0	mm	232

KC3/000-03000

DESIGNED BY :			CLIENT :		SUBJECT :	ITEM NO.	SCALE :
DRAWN BY :	Sh.Mehrani	23.04.25	حامیان صنعت انرژی		COVER CLAMP (General)		
CHECKED BY :	Sh.Mehrani	23.04.25	PROJECT :		DOC NO.	-	REVISION :
APPROVED BY :	Sh.Mehrani	23.04.25	CABLE TRAY & LADDER		DW-403811		PAGE : 20