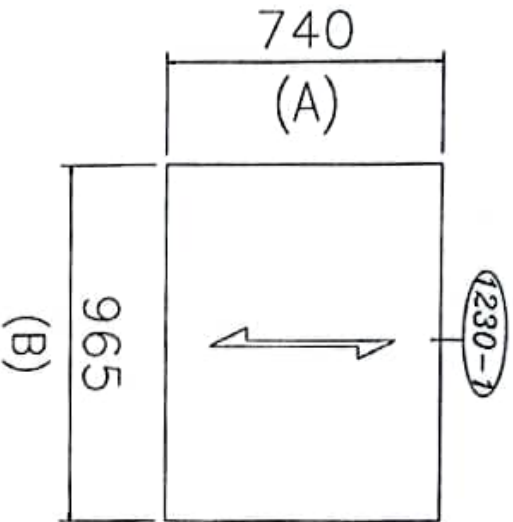


GRATING FOR PROJECT: 1158 (TOTAL UNITS)



1230-1
 QTY. = 12
 CLAMP NO. = 48

PART LIST					
ITEM	NAME	TYPE	DIMENSION	QTY.	REMARK
HEADER WALKWAY	Grating	1230-1	740 ^{mm} (A) x 965 ^{mm} (B)	12	--
GRATING CLAMP	-	-	-	48	--

GRATING DESCRIPTION

A	SEE PART LIST	—
B	SEE PART LIST	—
G	25	mm
E	5	mm
C	30	mm
D	50	mm

