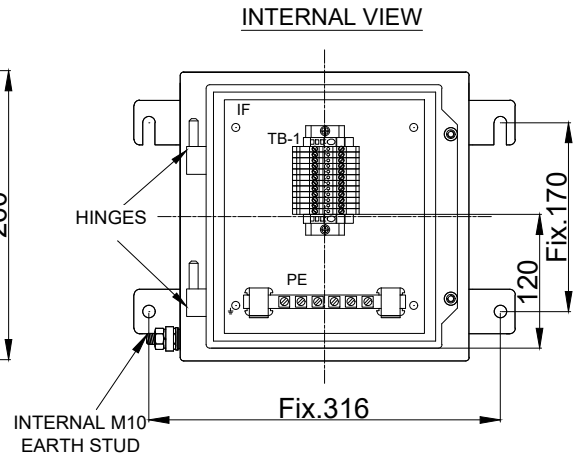
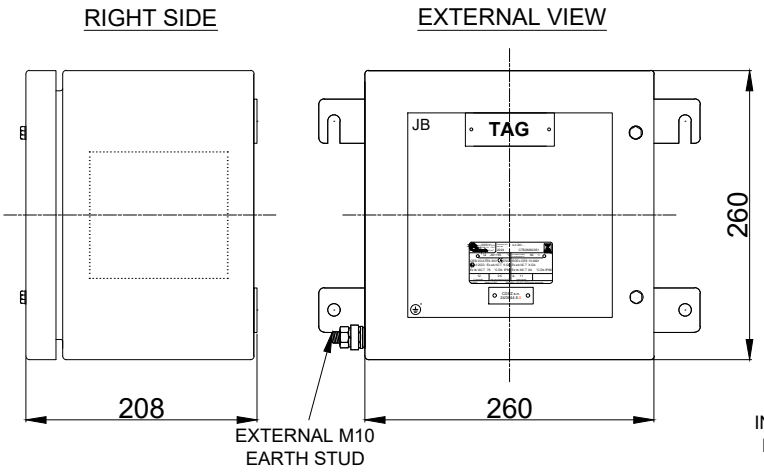
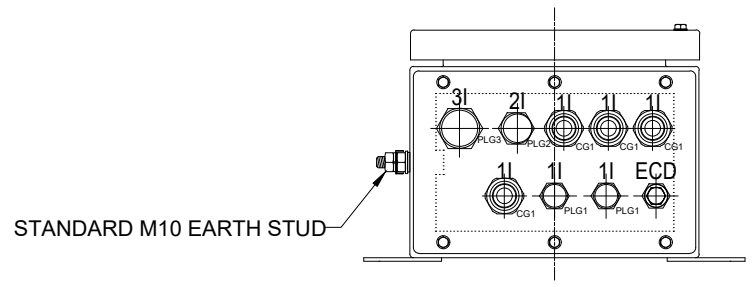


GENERAL NOTES:

- PO: ENP-CORTEM-2024-PO-200
- ITEM NO : 5
- QUANTITY : 2 NOS
- J.B MATERIAL : 316L STAINLESS STEEL
- EXTERNAL PAINTING : NOT PAINTED (NATURAL SS COLOUR)
- INTERNAL PAINTING : NOT PAINTED (NATURAL SS COLOUR)
- REMOVABLE GLAND PLATE WITH THICKNESS 3mm
- TAG PLATE MATERIAL : STAINLESS STEEL
(BLACK TEXT ON NATURAL BACKGROUND) FIXED BY SS316 RIVETS
- ALL DIMENSIONS ARE IN MILLIMETERS [mm]

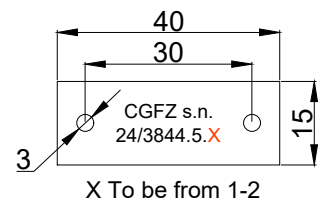
TAG NAME	Q.TY	TEXT	DIMENSIONS [mm]
TAG	1	JBD-D-RU0001A-04	80x30
TAG	1	JBD-D-RU0001B-04	80x30

BOTTOM SIDE
 REMOVABLE GLAND PLATE 3MM THICKNESS
 3I: N.1 Ø 32.5mm NOT THREADED HOLE
 2I: N.1 Ø 25.5mm NOT THREADED HOLE
 1I: N.6 Ø 20.5mm NOT THREADED HOLE
 ECD - N.1 Ø 20.5mm NOT THREADED HOLE



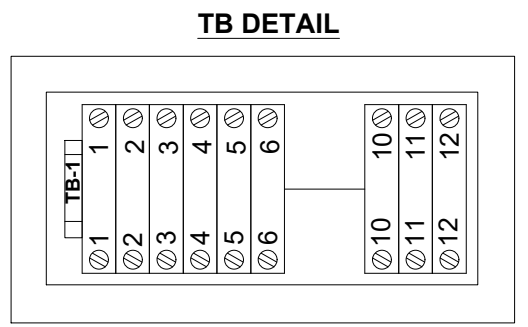
N°	Q.TY	CODE	DESCRIPTION	MAKE
JB	1	CTB262620S1	STAINLESS STEEL 316L JUNCTION BOX	CORTEM
IF	1	B26-443	SS316L INTERNAL MOUNTING FRAME	CORTEM
TB-1	12	WDU2.5	Feed-through Terminal 2.5 Sqmm Dark Beige Colour	WEIDMULLER
	1+2	DIN RAIL	DIN Rail + terminal stopper	WEIDMULLER
CG1	4+4+4	NEV20IB+DL1IB+PGA1	Nickle Plated Brass Cable Gland ISO M20 Suitable for armoured cable + Locknut + Shroud	CORTEM
PLG1	2+2	PLG1IB+DL1IB	Nickel Plated Brass Plug ISO M20 + Locknut	CORTEM
PLG2	1+1	PLG2IB+DL2IB	Nickel Plated Brass Plug ISO M25 + Locknut	CORTEM
PLG3	1+1	PLG3IB+DL3IB	Nickel Plated Brass Plug ISO M32 + Locknut	CORTEM
PE	1	NSCHECU	Copper earth bar (6 Derivations)	CORTEM
ECD	1	ECDE-D1S	Stainless Steel Breather/Drain plug ISO M20	CORTEM

CORTEM GULF S.N. NAMEPLATE
 SS316L name plate fixed by Rivets



CERTIFICATE NAME PLATE
 MATERIAL : SS316L FIXED BY SS316 RIVETS

CORTEM SpA VIA AQUILINA 10 34070 VILLESSE - GO ITALY		Enclosures with terminals: 2024	s.n.24/...	CTB262620S1
CORTEM GROUP		Use cables suitable for temperature of:		90 °C
CESI 03 ATEX 333 C 0722		IECEx CES 13.0001		
Ex II 2GD Ex eb IIC T 5 Gb		Ex eb IIC T 5 Gb		
Ex tb IIIC T 75 °C Db IP66		Ex tb IIIC T 75 °C Db IP66		
12	2.5	A	11	
n° terminals	max wire section [mm²]	max current		
U-386IN		Made in ITALY		WARNING - DO NOT OPEN when energized



REV.	DATE	PREP'D	CHK'D	APP'D	DESCRIPTION
1	10/12/2024	S.M	S.T	S.T	RE ISSUED FOR APPROVAL
0	22/11/2024	S.M	S.T	S.T	ISSUED FOR APPROVAL

DRAWING TITLE	ENER PROCESS FZ- LLC	
	GENERAL ARRANGEMENT DRAWING CORTEM GULF FZCO	
CORTEM GULF JOB N°	CGFZ-3844	CORTEM GULF (FZCO) RA08AB06 JAFZA P.O.BOX 17123, DUBAI, UAE TEL: 00971 4 8062000

DRAWING NUMBER	CGFZ-3844-5	SHEET 1 / NEXT /