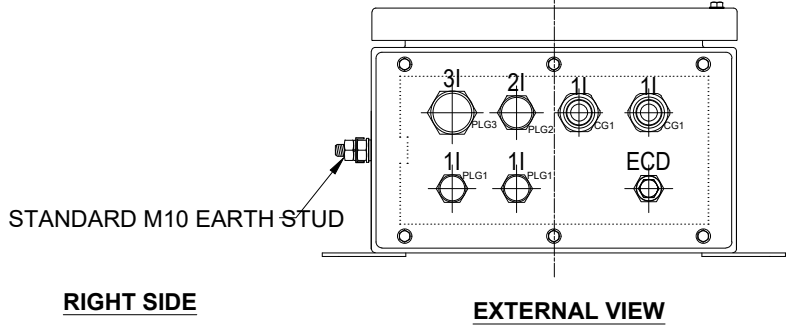
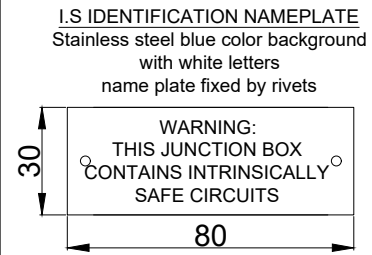


GENERAL NOTES:

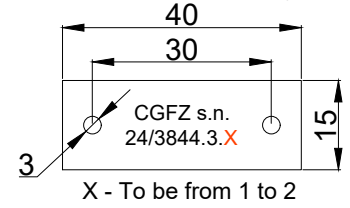
- PO: ENP-CORTEM-2024-PO-200
- ITEM NO : 3
- QUANTITY : 2 NOS
- J.B MATERIAL : 316L STAINLESS STEEL
- EXTERNAL PAINTING : NOT PAINTED (NATURAL SS COLOUR)
- INTERNAL PAINTING : NOT PAINTED (NATURAL SS COLOUR)
- REMOVABLE GLAND PLATE WITH THICKNESS 3mm
- TAG PLATE MATERIAL : STAINLESS STEEL
(BLACK TEXT ON NATURAL BACKGROUND) FIXED BY SS316 RIVETS
- ALL DIMENSIONS ARE IN MILLIMETERS [mm]

TAG NAME	Q.TY	TEXT	DIMENSIONS [mm]
TAG	1	JBD-A-RU0001A-03	80x30
TAG	1	JBD-A-RU0001B-03	80x30

BOTTOM SIDE
 REMOVABLE GLAND PLATE 3MM THICKNESS
 3I: N.1 Ø 32.5mm NOT THREADED HOLE
 2I: N.1 Ø 25.5mm NOT THREADED HOLE
 1I: N.4 Ø 20.5mm NOT THREADED HOLE
 ECD - N.1 Ø 20.5mm NOT THREADED HOLE

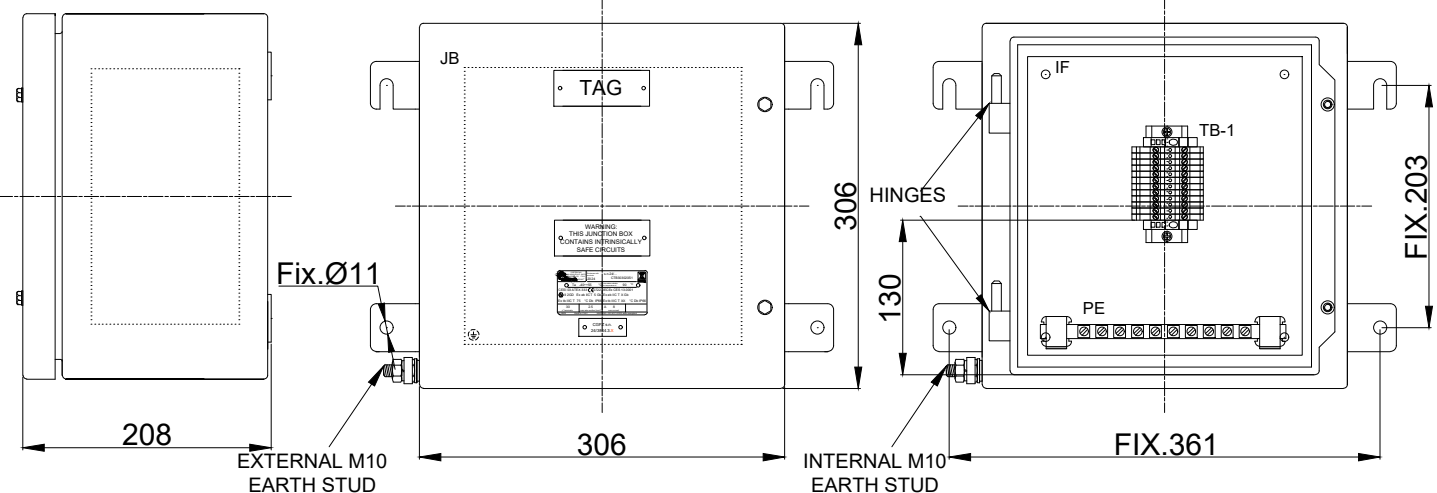


CORTEM GULF S.N. NAMEPLATE
 SS316L name plate fixed by Rivets

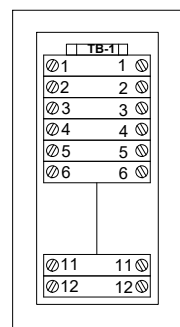


CERTIFICATE NAME PLATE
 MATERIAL : SS316L FIXED BY SS316 RIVETS

CORTEM SpA VIA AQUILEIA 10 34070 VILLESISE - GO ITALY		Enclosures with terminals: 2024	s.n.24/.. CTB303020S1
○ Ta -40+55° °C	Use cables suitable for temperature of: 90 °C	✗	
CESI 03 ATEX 333	CE 0722	IECEX CES 13.0001	
II 2GD Ex tb ia IIC T 5 Gb	Ex tb ia IIC T 5 Gb	Ex tb ia IIC T 75 °C Db IP66	
12 n° terminals	2.5 max wire section [mm²]	A 11	max current
U-386/11N	Made in ITALY	WARNING - DO NOT OPEN when energized	



TB DETAIL



N°	Q.TY	CODE	DESCRIPTION	MAKE
JB	1	CTB303020S1	STAINLESS STEEL 316L JUNCTION BOX	CORTEM
IF	1	B30-443	SS316L INTERNAL MOUNTING FRAME	CORTEM
TB-1	12	WDU2.5BL	Feed-through Terminal 2.5 Sqmm Blue Colour	WEIDMULLER
	1+2	DIN RAIL	DIN Rail + terminal stopper	
CG1	2+2+2	NEV20IB+DL1IB+PGA1	Nickle Plated Brass Cable Gland ISO M20 Suitable for armoured cable + Locknut + Shroud	CORTEM
PLG1	2+2	PLG1IB+DL1IB	Nickel Plated Brass Plug ISO M20 + Locknut	CORTEM
PLG2	1+1	PLG2IB+DL2IB	Nickel Plated Brass Plug ISO M25 + Locknut	CORTEM
PLG3	1+1	PLG3IB+DL3IB	Nickel Plated Brass Plug ISO M32 + Locknut	CORTEM
PE	1	NSCHECU	Copper earth bar (10 Derivations)	CORTEM
ECD	1	ECDE-D1S	Stainless Steel Breather/Drain plug ISO M20	CORTEM

REV.	DATE	PREP'D	CHK'D	APP'D	DESCRIPTION
1	10/12/2024	S.M	S.T	S.T	RE ISSUED FOR APPROVAL
0	22/11/2024	S.M	S.T	S.T	ISSUED FOR APPROVAL

DRAWING TITLE	ENER PROCESS FZ-LLC	
	GENERAL ARRANGEMENT DRAWING CORTEM GULF FZCO	
CORTEM GULF JOB N°	CGFZ-3844	CORTEM GULF (FZCO) RA08AB06 JAFZA P.O.BOX 17123, DUBAI, UAE TEL: 00971 4 8062000

Member of
CORTEM GROUP

DRAWING NUMBER

CGFZ-3844-3

SHEET

1

TOT. 1

NEXT

/