



Toase-ehe Park Sanati Gohar Ofogh
Petrochemical Co.
**CONCEPTUAL, BASIC and DETAIL DESIGN
ENGINEERING OF STYRENE PARK OFFSITE**



Document Title: Package / Oil Pump Motor Data Sheet & Drawing

Document No.: EI027-HSE-VD – EL– DSH– 002-R0

Rev. R0

Page 1 of 4

Commented

STYRENE PARK OFFSITE

Document Title:

Oil Pump Motor Data Sheet & Drawing

R0	24-03-2024	IFA	F.SH	M.O	A.M
Rev.	Issued Date	DESCRIPTION	PREPARED	CHECKED	APPROVED



Toase-e Park Sanati Gohar Ofogh
 Petrochemical Co.
**CONCEPTUAL, BASIC and DETAIL DESIGN
 ENGINEERING OF STYRENE PARK OFFSITE**



Document Title: Package / Oil Pump Motor Data Sheet & Drawing

Document No.: EI027-HSE-VD – EL– DSH– 002-R0

Rev. R0

Page 2 of 4

REVISION RECORD SHEET

Page Page	Revisions							Page	Revisions						
	R0	R1	R2	R3	R4	R5	R6		R0	R1	R2	R3	R4	R5	R6
1	X							41							
2	X							42							
3	X							43							
4	X							44							
5								45							
6								46							
7								47							
8								48							
9								49							
10								50							
11								51							
12								52							
13								53							
14								54							
15								55							
16								56							
17								57							
18								58							
19								59							
20								60							
21								61							
22								62							
23								63							
24								64							
25								65							
26								66							
27								67							
28								68							
29								69							
30								70							
31								71							
32								72							
33								73							
34								74							
35								75							
36								76							
37								77							
38								78							
39								79							

Three-phase induction motor with squirrel cage rotor
 Drehstromasynchronmotor mit Kurzschlußläufer

Electrical data / Elektrische Daten

Rated motor power / Bemessungsleistung	kW	2,5		
Rated motor voltage / Bemessungsspannung	V	Δ 400	Y 690	
Rated voltage tolerance / Bemessungsspannungsbereich		Zone A (V: ±5%; f: ±2%)		
Rated frequency / Bemessungsfrequenz	Hz	50		
Number of poles / Polzahl		4		
Rated motor speed / Bemessungsdrehzahl	rpm	1450		
Rated motor current / Bemessungsstrom	A	5,1	2,9	
Power factor / Leistungsfaktor (at / bei 100% - 75% - 50%)		0,80	0,73	0,60
Efficiency / Wirkungsgrad (at / bei 100% - 75% - 50%)		87,7%	88,1%	87,1%
Efficiency / Wirkungsgrad		IE3		
Breakdown-/Rated torque / Kipp-/Bemessungsmoment (Tb/Tn)		4,5		
Starting-/Rated torque / Anzugs-/Bemessungsmoment (Ts/Tn)		3,7		
Starting-/Rated current / Anzugs-/Bemessungsstrom (Is/In)		9,6		

RTD Numbers to be specified
 Vendor reply: Not applicable for 2.5 KW motor. PTC is considered as per below

	kg	40,0		
	kgm ²	0,01		
von A-Seite)		both / beide		
Balance / Wuchtart		Half-key / Halbkeil		
Vibration grade / Schwinggrößenstufe		A		
Bearing / Lagerart		Anti-friction bearing		
Bearing type DE / Lagertyp AS		6306 2Z C3		
Relubrication DE / Nachschmierung AS	h	-	g	-
Bearing type NDE / Lagertyp BS		6306 2Z C3		
Relubrication NDE / Nachschmierung BS	h	-	g	-
		Esso Unirex N3		

Nominal Power (KW) To be Specified .
 Vendor reply: Rated Power is specified as above 2.5KW.

		100L		
Type of construction / Bauform		IM B3		
Material of housing / Gehäusematerial		Cast iron / Grauguß		
Material of terminal box / Klemmenkastenmaterial		Cast iron / Grauguß		
Degree of protection / Schutzart		IP55		
Method of cooling / Kühllart		IC411		
Thermal class - temperature rise / Wärmeklasse - Erwärmung		F / B		
Duty type / Betriebsart		S1		
Sound pressure level, no load at 1 m / Schalldruckpegel, Leerlauf bei 1 m	dB(A)	67,0		
Painting / Anstrich		RAL 5010		
Standards / Normen		EN 60034-1		
Ex-Protection / Ex-Schutz		Ex ec IIC T3 Gc		

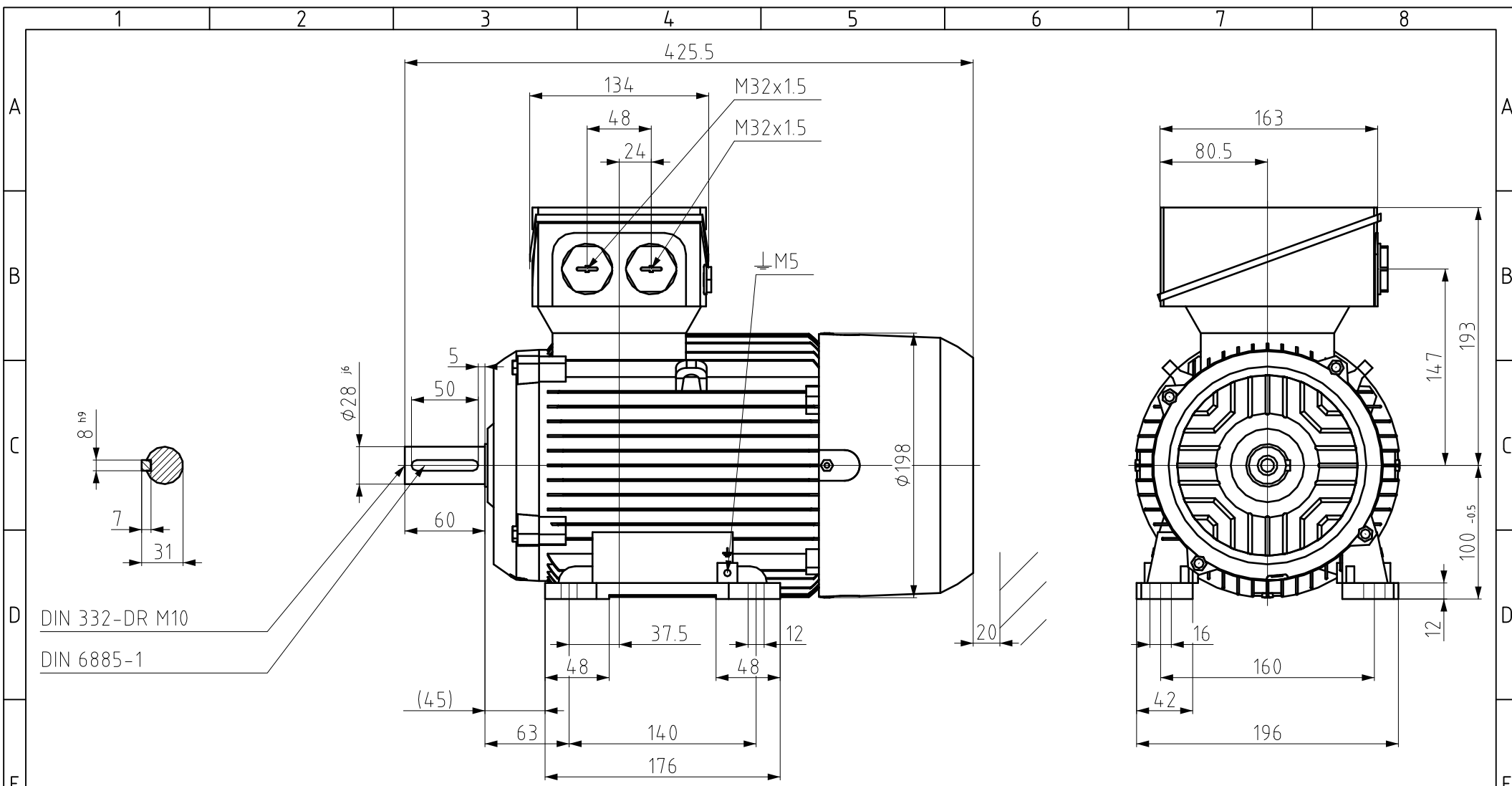
Ex. Protection To be considered Exde , IIC , T4
 Vendor reply: As per approved Package Data sheet and MOM dated 8-Jan-24, Exec is agreed between Parties and motors are already ordered. This is also in line with Specification which Exe motors can be used for Zone 2.

	°C	-20	+48	
	m	1000		
		3 x PTC / Kaltleiter		
Space heater / Umstandshheizung	V	-	W	-

The rating plate values may vary from the calculated values. / Abweichungen zwischen berechneten und Leistungsschilddaten sind möglich.

Site Condition to be applied acc. to Project Specifications
 Vendor reply: +5-48C is considered as per agreed package DS and MOM dated 08-Jan-24

Prepared	Date	Checked	Revision	Status	Sheet
Na	06.03.24	PR	00	C	1/1



Massbild unverbindlich.
 Änderungen konstruktiver Einzelheiten vorbehalten.

Dimension Drawing subject to change.
 We reserve the right to change constructional details.

Zust.	Änderung	Datum	Name

Maßstab	CAD	Bauform	Kühlart	Schutzart
		IM B3	IC 411	IP 55



NDOR100L-04-3G

11032400795

Anschlussbolzen	Bearb.	06.03.2024	Na	Blatt
	Gepr.	06.03.2024	Pr	1