



Toase-e Park Sanati Gohar Ofogh
 Petrochemical Co.
**CONCEPTUAL, BASIC and DETAIL DESIGN
 ENGINEERING OF STYRENE PARK OFFSITE**



Document Title: Condenser Data Sheet

Document No.: EI027-HSE-VD -PI-DWG-001- R0

Rev. R1

Page 1 of 8

STYRENE PARK OFFSITE

Document Title:
General Arrangement Drawing

Rev.	Issued Date	DESCRIPTION	PREPARED	CHECKED	APPROVED
R0	18-04-2024	IFA	F.sh	M.O	A.M



Toase-eh Park Sanati Gohar Ofogh
Petrochemical Co.
**CONCEPTUAL, BASIC and DETAIL DESIGN
ENGINEERING OF STYRENE PARK OFFSITE**



Document Title: Condenser Data Sheet

Document No.: EI027-HSE-VD -PI-DWG-001- R0

Rev. R1

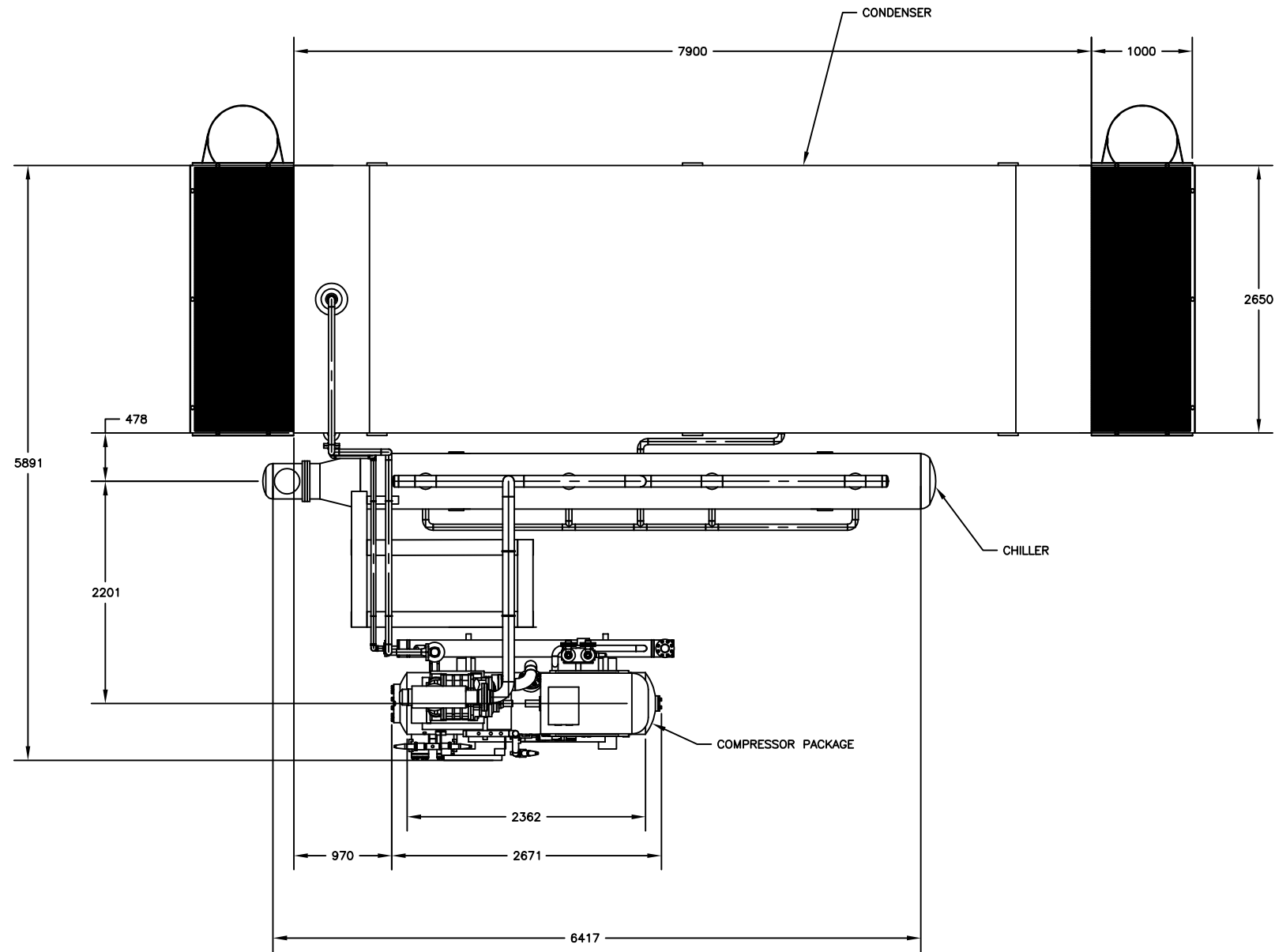
Page 2 of 8

REVISION RECORD SHEET

Page Page	Revisions							Page	Revisions						
	R0	R1	R2	R3	R4	R5	R6		R0	R1	R2	R3	R4	R5	R6
1	X							41							
2	X							42							
3	X							43							
4	X							44							
5	X							45							
6	X							46							
7	X							47							
8	X							48							
9								49							
10								50							
11								51							
12								52							
13								53							
14								54							
15								55							
16								56							
17								57							
18								58							
19								59							
20								60							
21								61							
22								62							
23								63							
24								64							
25								65							
26								66							
27								67							
28								68							
29								69							
30								70							
31								71							
32								72							
33								73							
34								74							
35								75							
36								76							
37								77							
38								78							
39								79							
40								80							

APPROXIMATE WEIGHT	
CONDENSER	7000 KG
CHILLER	3800 KG
RECEIVER	2000 KG
COMPRESSOR PACKAGE	6000 KG

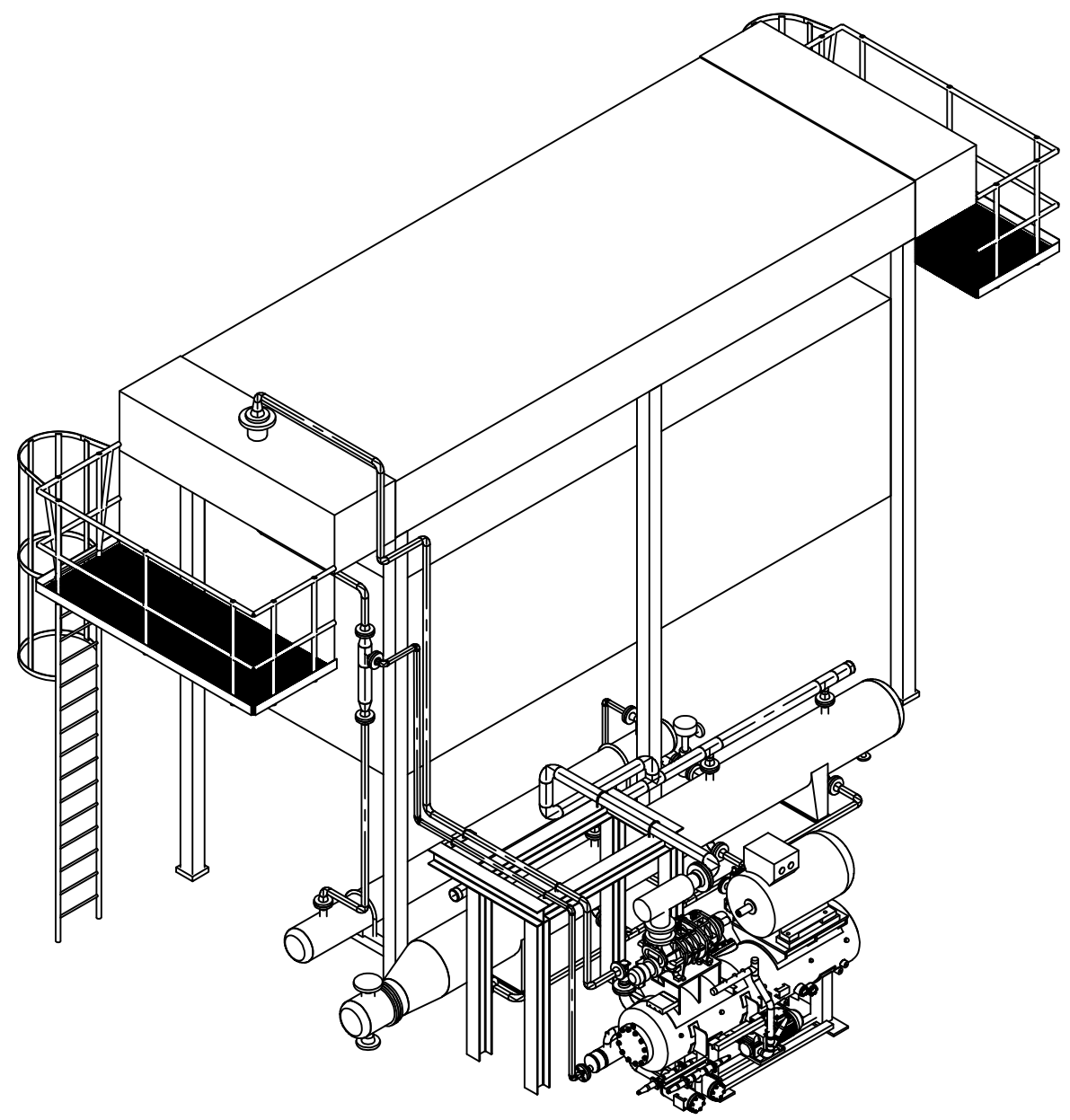
PRELIMINARY



NOTES:
1. ALL DIMENSIONS ARE IN MM.

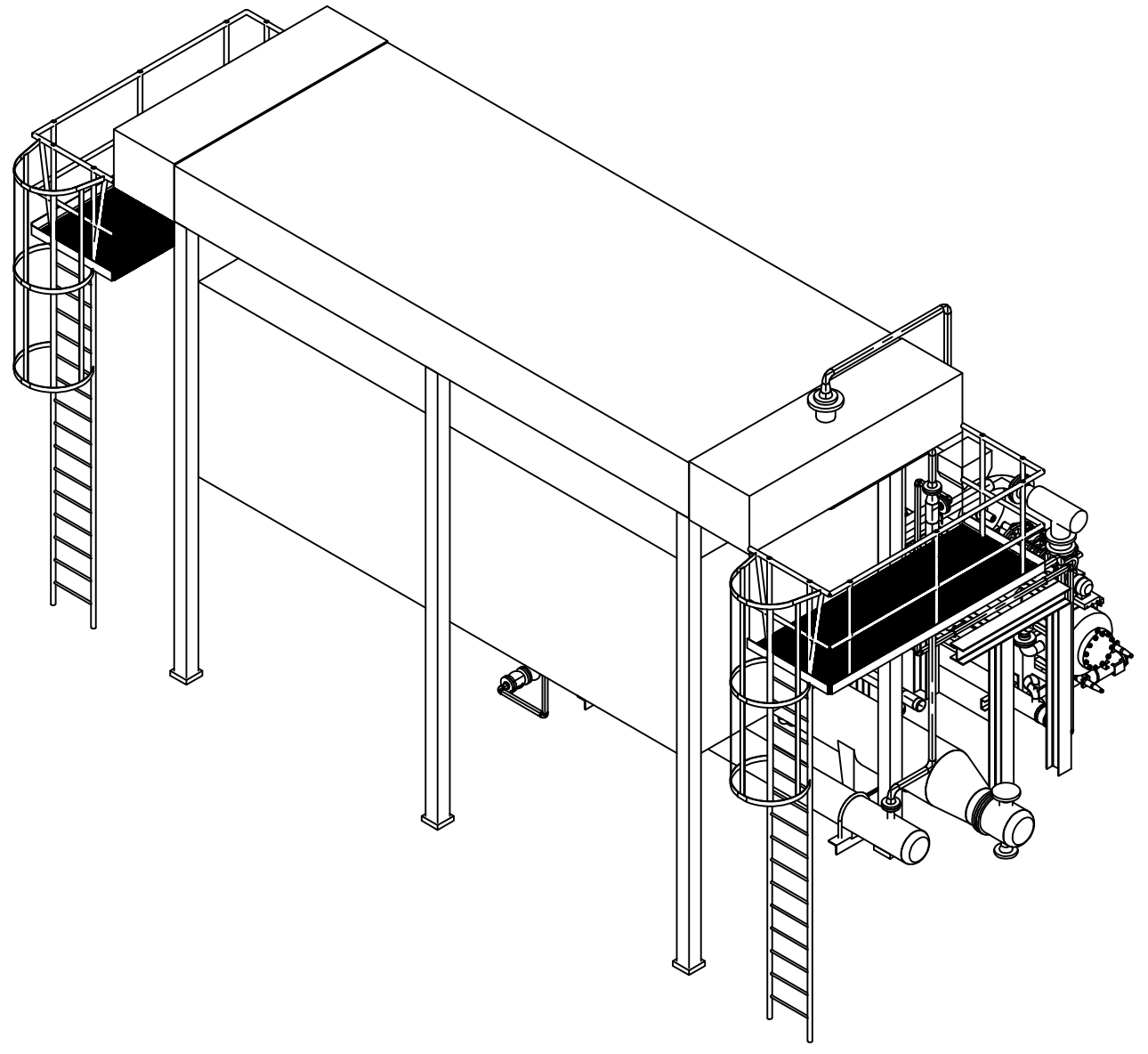
REV.	STATUS	DATE	PURPOSE OF ISSUE	PREP.	CHKD.	APPD.	AUTH.
0	F						
				AJD	AJD	IES	SES
CLIENT: OBER TECHNOLOGIES SERVICE: PROPYLENE REFRIGERATION PACKAGE LOCATION: RL-0001 A/B UNIT TAG NO:				VENDOR LOGO			
Contract No.				P.O. No.			
DRAWING TITLE: GENERAL ARRANGEMENT DRAWING				SCALE			
DRAWING NO.				REV.	SHEET No.	SIZE	
				0	1 OF 5	D	

PRELIMINARY



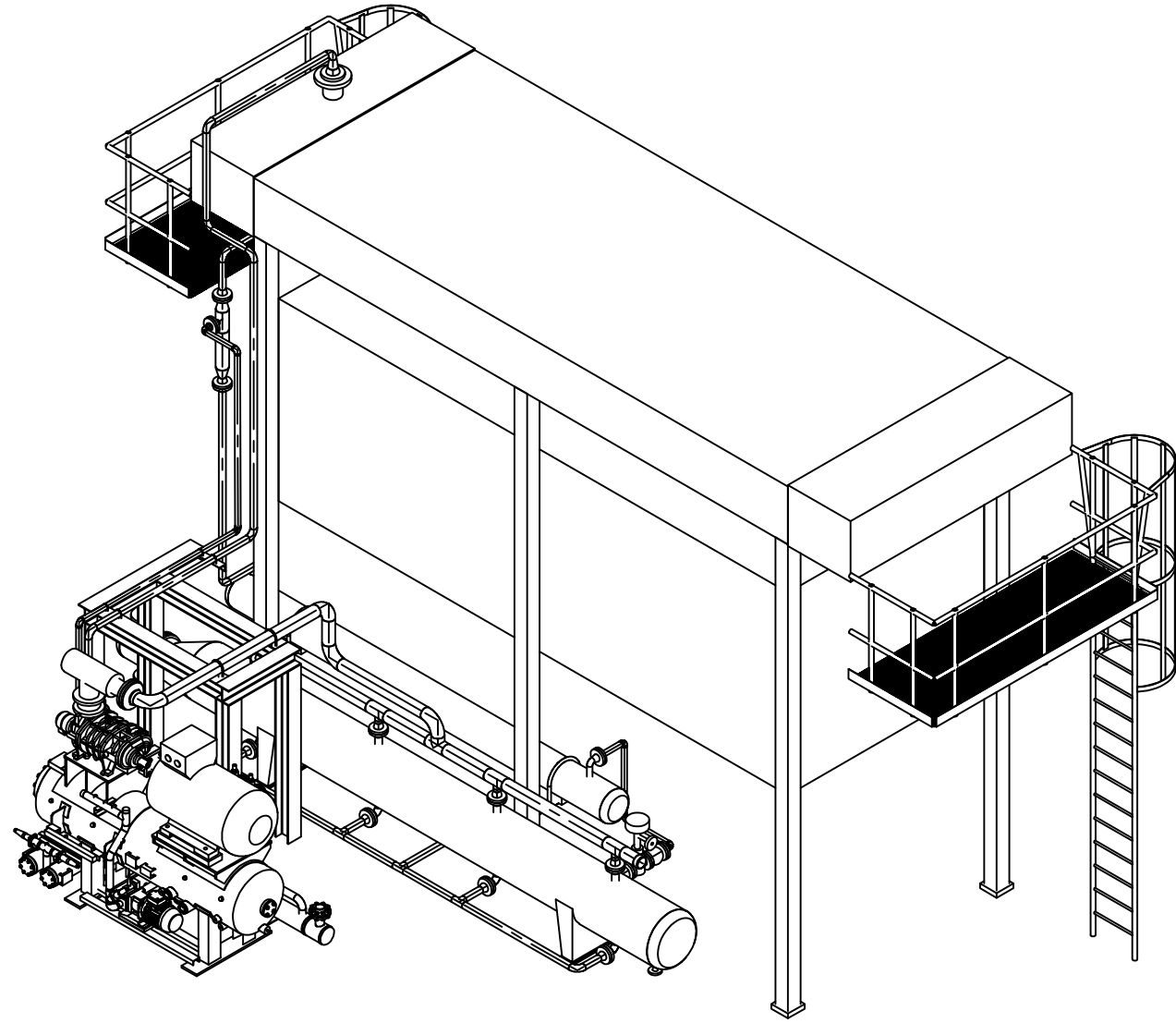
0	F			AJD	AJD	IES	SES
REV.	STATUS	DATE	PURPOSE OF ISSUE	PREP.	CHKD.	APPD.	AUTH
CLIENT: SERVICE: LOCATION: UNIT TAG NO.:			ENER TECHNOLOG PROPYLENE REFRIGERATION PACKAGE RL-0001 A/B				
VENDOR LOGO							
Contract No.		P.O. No.		SCALE			
DRAWING TITLE: GENERAL ARRANGEMENT DRAWING							
DRAWING NO.				REV.	SHEET No.	SIZE	
				0	3 OF 6	D	

PRELIMINARY



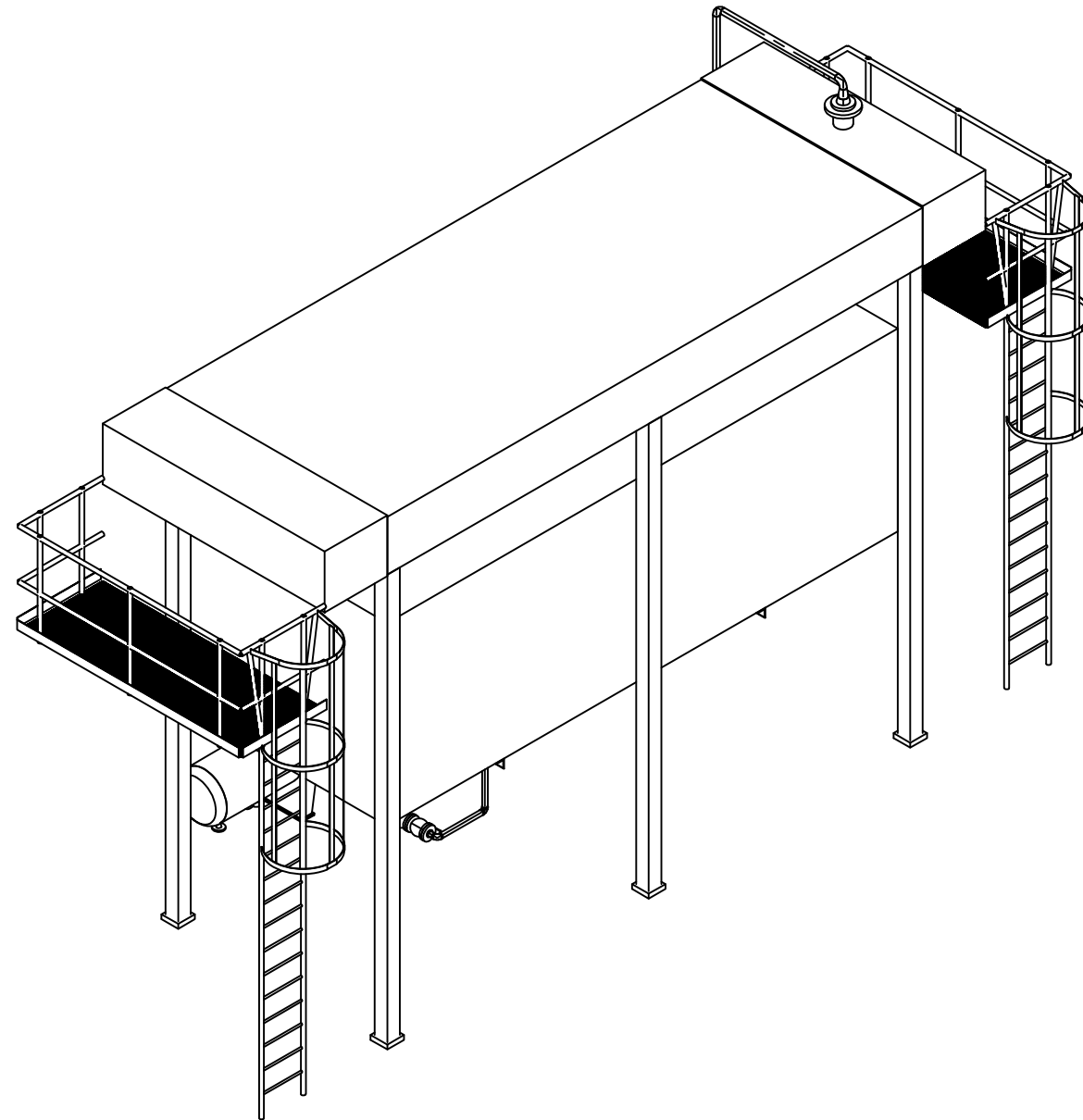
0	F							AJD	AJD	IES	SES
REV.	STATUS	DATE	PURPOSE OF ISSUE	PREP.	CHKD.	APPD.	AUTH.				
		<small>CLIENT: OBER TECHNOLOGIES</small> <small>SERVICE: PROPYLENE REFRIGERATION PACKAGE</small> <small>LOCATION: RL-0001 A/B</small> <small>UNIT TAG NO.:</small>									
VENDOR LOGO											
<small>Contract No.</small>		<small>P.O. No.</small>						SCALE			
DRAWING TITLE: GENERAL ARRANGEMENT DRAWING											
<small>DRAWING NO.</small>								<small>REV.</small>	<small>SHEET No.</small>	<small>SIZE</small>	
								0	4	OF 6 D	

PRELIMINARY



0	F				AJD	AJD	IES
REV.	STATUS	DATE	PURPOSE OF ISSUE	PREP.	CHKD.	APPD.	AUTH.
CLIENT:		OBER TECHNOLOG					
SERVICE:		PROPYLENE REFRIGERATION PACKAGE					
LOCATION:		RL-0001 A/B					
UNIT TAG NO.:							
VENDOR LOGO							
Contract No.		P.O. No.		SCALE			
DRAWING TITLE:							
GENERAL ARRANGEMENT DRAWING							
DRAWING NO.				REV.	SHEET No.	SIZE	
				0	5 OF 6	D	

PRELIMINARY



0	F			AJD	AJD	IES	SES
REV.	STATUS	DATE	PURPOSE OF ISSUE	PREP.	CHKD.	APPD.	AUTH.
CLIENT: OBER TECHNOLOGIES SERVICE: PROPYLENE REFRIGERATION PACKAGE LOCATION: RL-0001 A/B UNIT TAG NO.:							
VENDOR LOGO							
Contract No.		P.O. No.		SCALE			
DRAWING TITLE: GENERAL ARRANGEMENT DRAWING							
DRAWING NO.				REV.	SHEET No.	SIZE	
				0	6 OF 6	D	