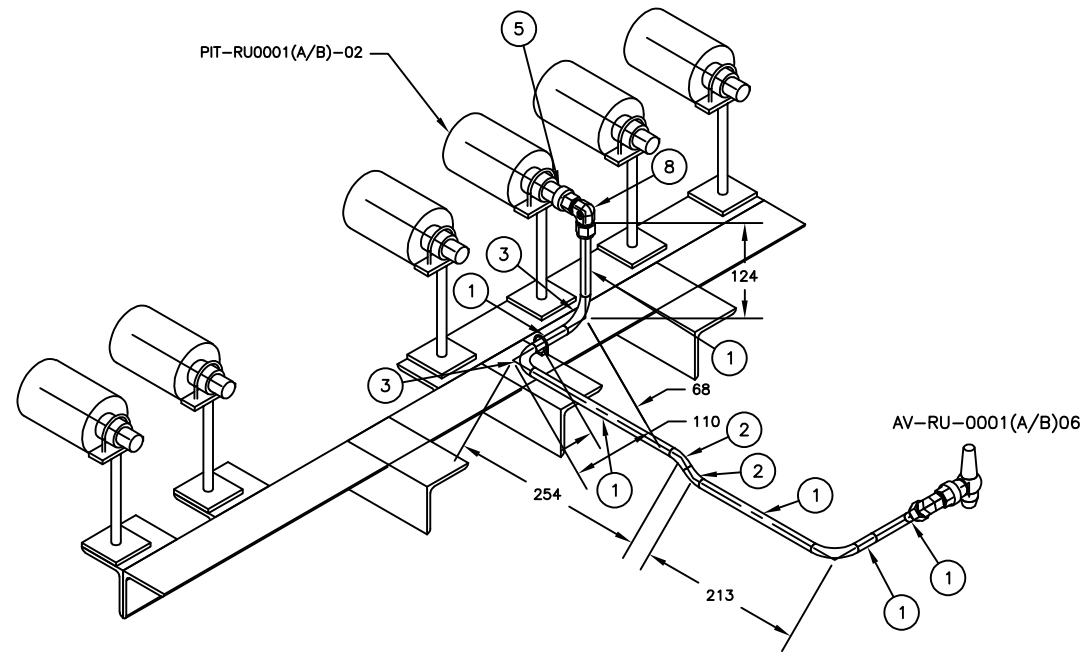


BILL OF MATERIALS			
ID	QTY	SCH/CLASS	DESCRIPTION
1	875 MM		TUBING, ASTM A269, SEAMLESS - 316SS
2	2		BEND 45 5R, TUBING, ASTM A269, 316SS
3	4		BEND 90 5R, TUBING, ASTM A269, 316SS
4	1		MaleStub 3/8" NPT(M) x 1/2" Tube
5	1		MaleStub 1/2 NPT(M) x 1/2" Tube
6	6		PRESSURE TRANSMITTER 1/2" NPT(F)
7	1		ANGLE VALVE 3/8" NPT(M) X 3/8" NPT(F)
8	2		Female Union Elbow 1/2" T x 1/2" T
9	1		U-clamp

NOTES:
 1. ALL TAGS ARE LABELED AS FOLLOWS,
 PIT-RU0001(A/B)-01 WHERE 'A' STANDS FOR UNIT 1 &
 'B' STANDS FOR UNIT 2.
 FOR EXAMPLE:
 - PIT-RU0001A-01 FOR UNIT 1
 - PIT-RU0001B-01 FOR UNIT 2

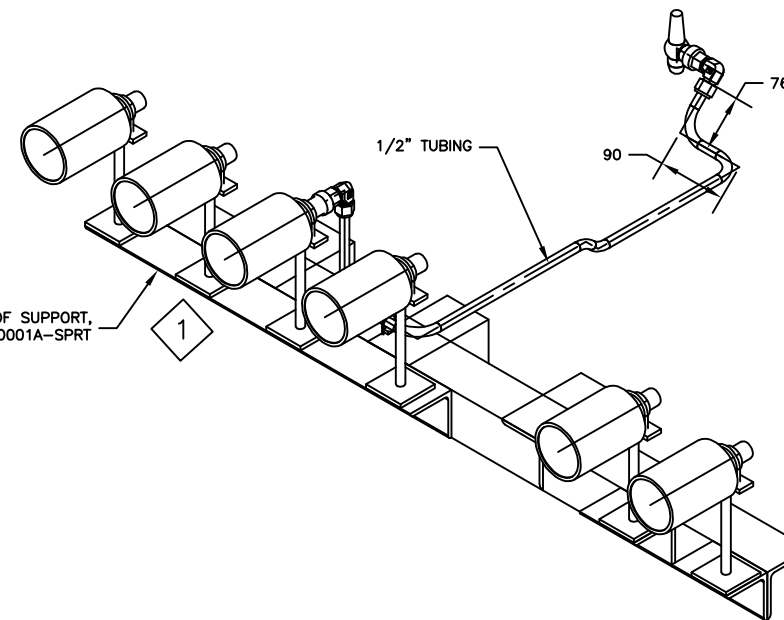


Please add 2 way manifold (Both sides NPTF). It will be purchased from manual valve manufacturer. please add this manifold in part list

MME : NOTED, WILL BE REVISED ACCORDINGLY.

NPTM

MME: NOTED



FOR DETAILED DWG OF SUPPORT, REFER DWG# PIT-RU0001A-SPRT

0	F	15.08.24	FOR APPROVAL	AJD	AJD	IES	SES
REV.	STATUS	DATE	PURPOSE OF ISSUE	PREP.	CHKD.	APPD.	AUTH.
CLIENT: ENER TECHNOLOGI SERVICE: PROPANE REFRIGERATION PACKAGE LOCATION: IRAQ UNIT TAG NO.: RU-0001 AB							
VENDOR LOGO							
Contract No.		P.O. No. ENER-MME-2024-100-001		SCALE			
DRAWING TITLE: PIT-RU0001(A/B)-02 HOOKUP DRAWING							
DRAWING NO. MPE007- PIT-RU0001(A/B)-02				REV.	SHEET No.	SIZE	
				0	1 OF 1	D	