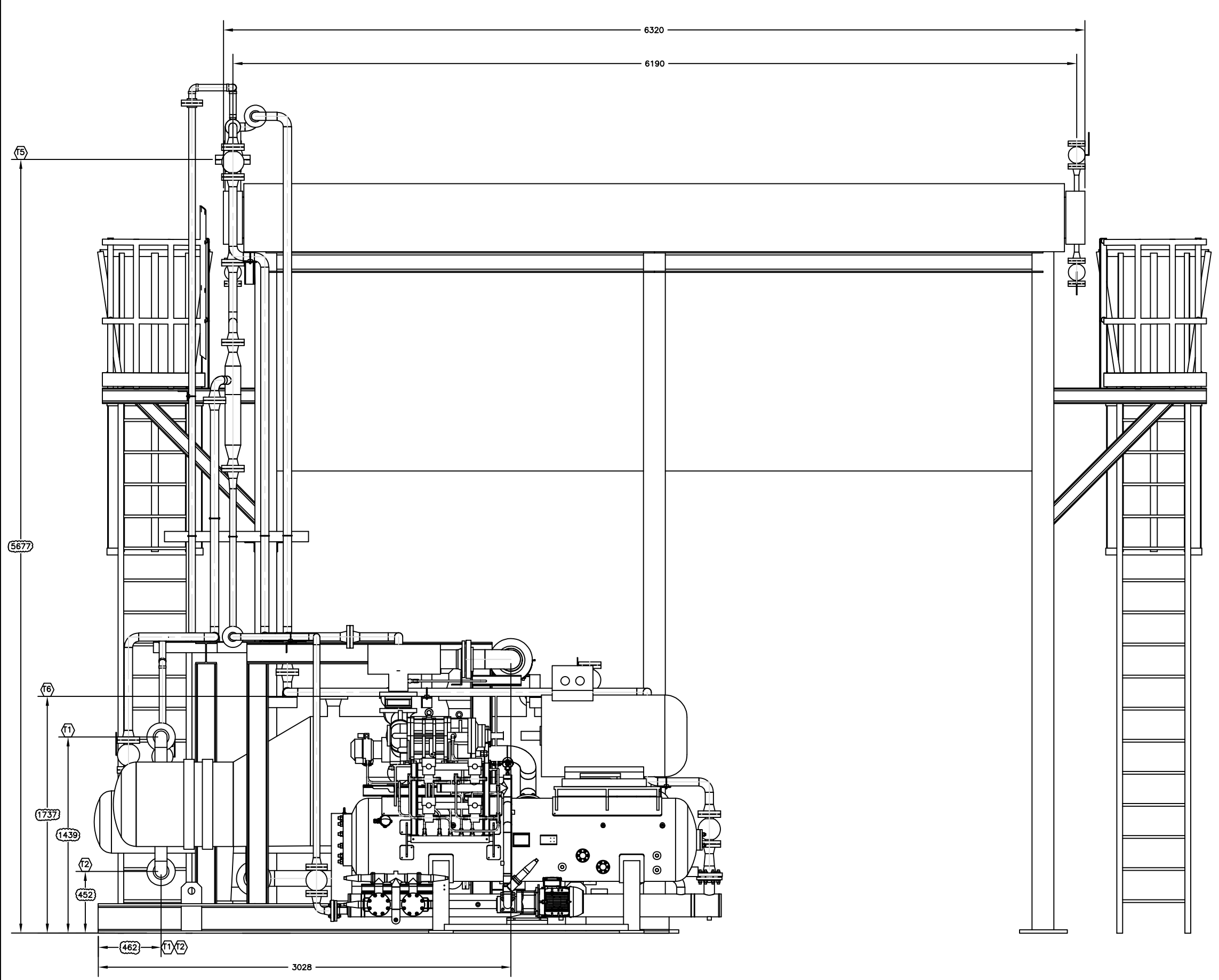


NOTES:  
 1. FOR ALL APPLICABLE NOTES, PLEASE REFER TO SHEET 1.

REV.	STATUS	DATE	PURPOSE OF ISSUE	PREP.	CHKD.	APPD.	AUTH.
2	F	22.07.24	FOR APPROVAL	AJD	AJD	IES	SES
1	F	19.07.24	FOR APPROVAL	AJD	AJD	IES	SES
0	F	05.04.24	FOR APPROVAL	AJD	AJD	IES	SES

CLIENT: ENER TECHNOLOGI		SERVICE: PROPANE REFRIGERATION PACKAGE	
LOCATION: IRAQ		UNIT TAG NO.: RU-001 AB	
VENDOR LOGO			
Contract No.	P.O. No.	ENER-MME-2024-100-001	SCALE
DRAWING TITLE: GENERAL ARRANGEMENT DRAWING			
DRAWING NO. MPE007-20011-2	REV. 2	SHEET No. 2 OF 10	SIZE D

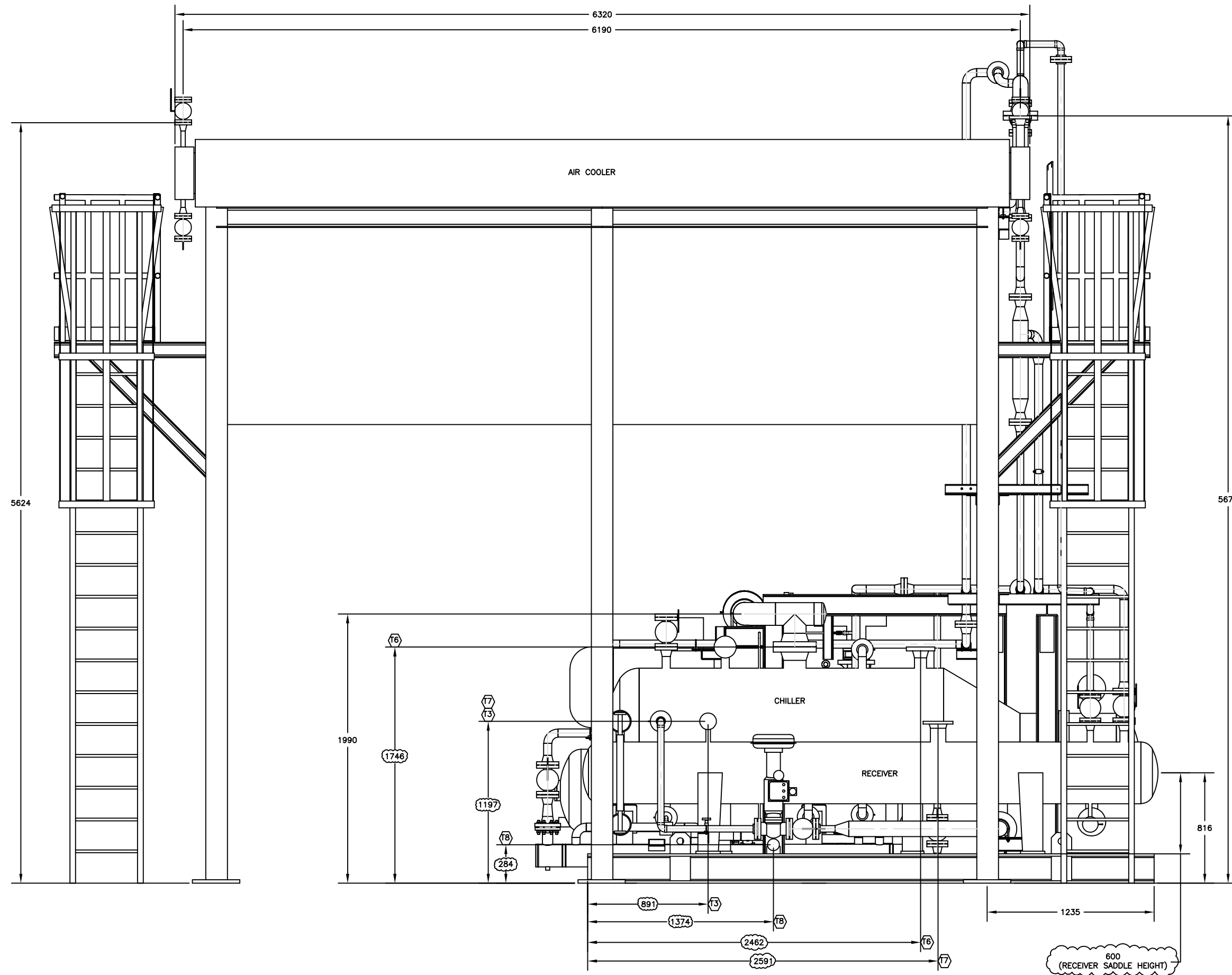


NOTES:  
 1. FOR ALL APPLICABLE NOTES, PLEASE REFER TO SHEET 1.

REV.	STATUS	DATE	PURPOSE OF ISSUE	PREP.	CHKD.	APPD.	AUTH.
2	F	22.07.24	FOR APPROVAL	AJD	AJD	IES	SES
1	F	19.07.24	FOR APPROVAL	AJD	AJD	IES	SES
0	F	05.04.24	FOR APPROVAL	AJD	AJD	IES	SES

CLIENT:		ENER TECHNOLOGI					
SERVICE:		PROPANE REFRIGERATION PACKAGE					
LOCATION:		IRAQ					
UNIT TAG NO.:		RU-001 AB					
VENDOR LOGO							
Contract No.	P.O. No.	ENER-MME-2024-100-001				SCALE	
DRAWING TITLE: GENERAL ARRANGEMENT DRAWING							
DRAWING NO. MPE007-20011-3		REV.	SHEET No.	SIZE			
		2	3 OF 10	D			

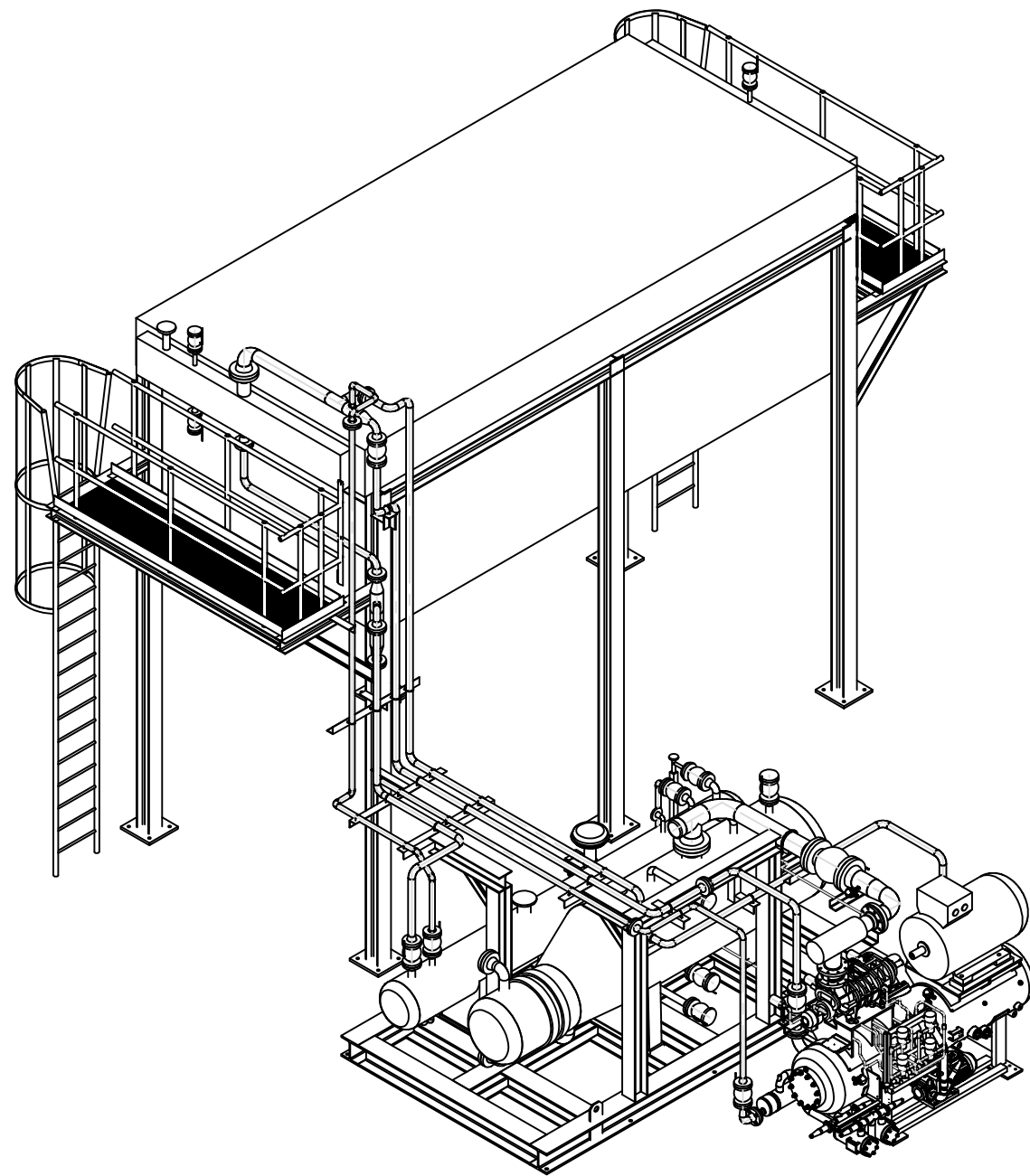
NOTES:  
 1. FOR ALL APPLICABLE NOTES, PLEASE REFER TO SHEET 1.



REV.	STATUS	DATE	PURPOSE OF ISSUE	PREP.	CHKD.	APPD.	AUTH.
2	F	22.07.24	FOR APPROVAL	AJD	AJD	IES	SES
1	F	19.07.24	FOR APPROVAL	AJD	AJD	IES	SES
0	F	05.04.24	FOR APPROVAL	AJD	AJD	IES	SES

CLIENT: ENER TECHNOLOGI		P.O. No. ENER-MME-2024-100-001		SCALE	
SERVICE: PROPANE REFRIGERATION PACKAGE					
LOCATION: IRAQ					
UNIT TAG NO.: RU-001 AB					
DRAWING TITLE: GENERAL ARRANGEMENT DRAWING					
DRAWING NO. MPE007-20011-4		REV.	SHEET No.	SIZE	
		2	4 OF 10	D	

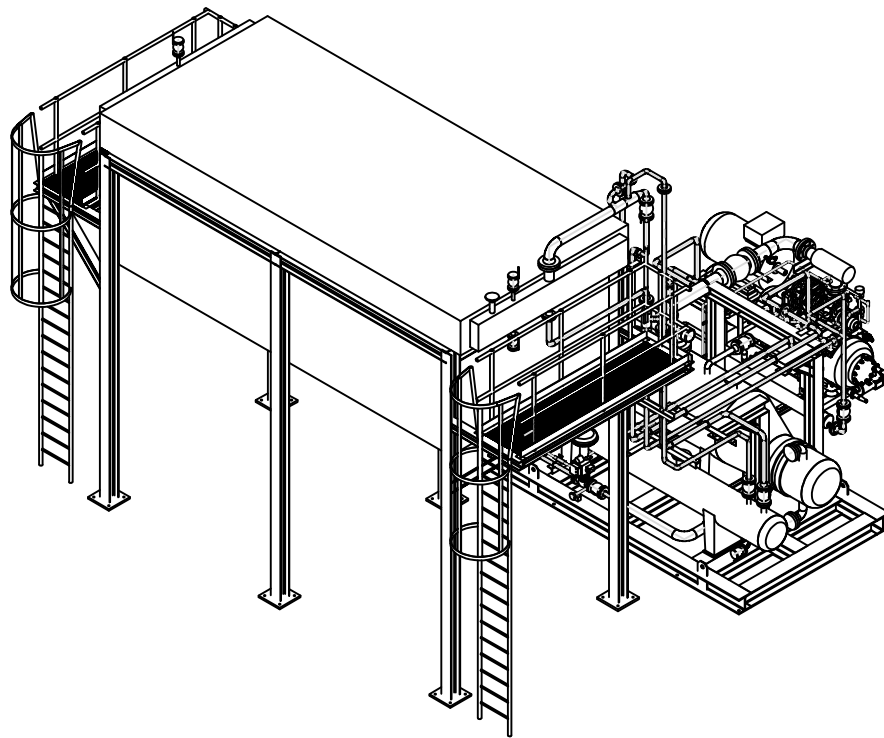
Z:\16. ENGINEERING\_Chemical Group\04. Project\12. MPE007\_Delta Gmbh\_Refrigeration Package\CAD\PLANT\_3D\MPE007\Orthos\DWGs\20011-4.dwg



NOTES:

1. FOR ALL APPLICABLE NOTES, PLEASE REFER TO SHEET 1.

2	F	22.07.24	FOR APPROVAL	AJD	AJD	IES	SES
1	F	19.07.24	FOR APPROVAL	AJD	AJD	IES	SES
0	F	05.04.24	FOR APPROVAL	AJD	AJD	IES	SES
REV. STATUS	DATE	PURPOSE OF ISSUE	PREP.	CHKD.	APPD.	AUTH.	
CLIENT:		ENER TECHNOLOGI					
SERVICE:		PROPANE REFRIGERATION PACKAGE					
LOCATION:		IRAQ					
UNIT TAG NO.:		RU-001 AB					
VENDOR LOGO							
Contract No.		P.O. No.		ENER-MME-2024-100-001		SCALE	
DRAWING TITLE:							
GENERAL ARRANGEMENT DRAWING							
DRAWING NO.		REV.	SHEET No.	SIZE			
MPE007-20011-5		2	5 OF 10	D			



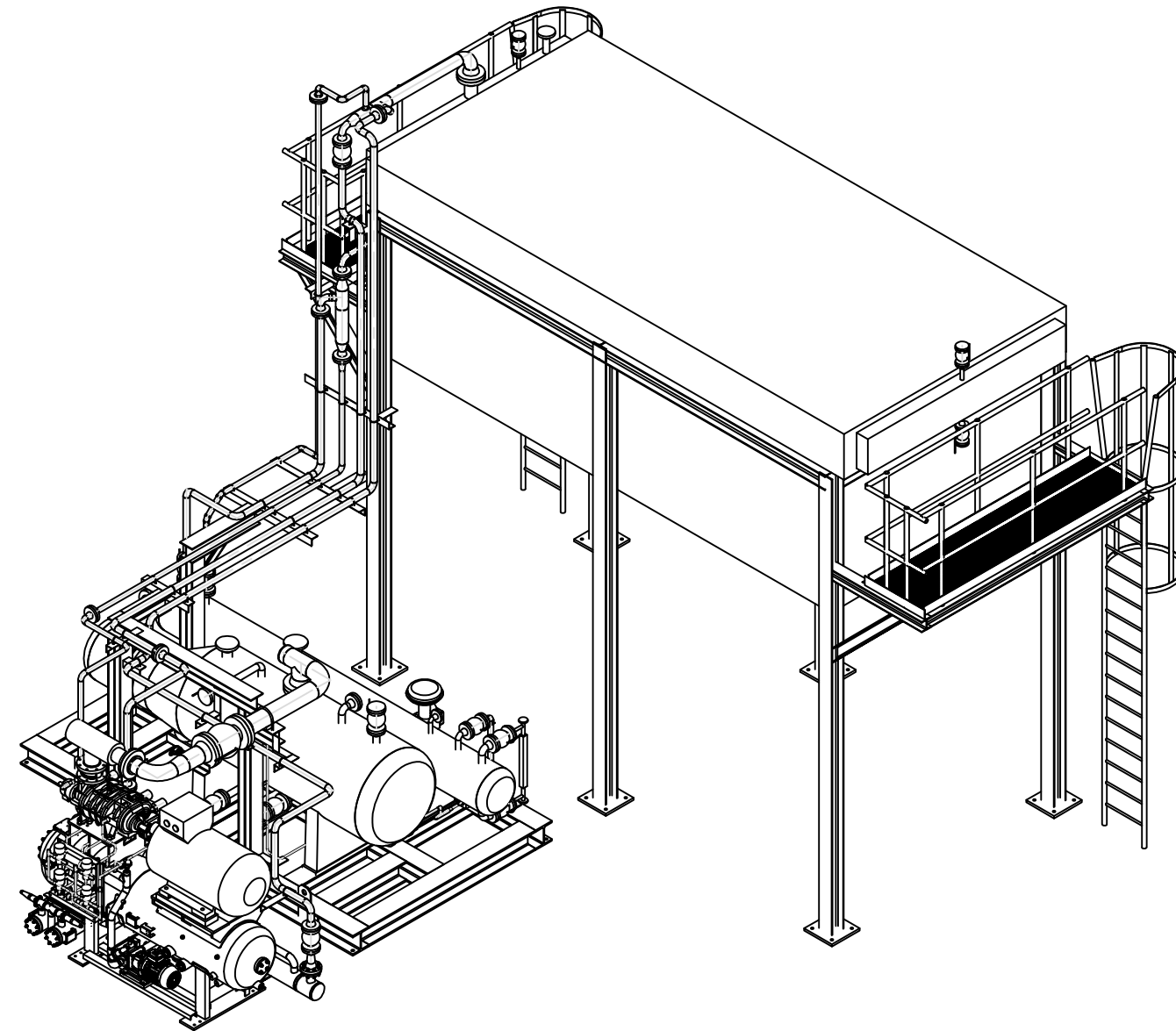
**NOTES:**

1. FOR ALL APPLICABLE NOTES, PLEASE REFER TO SHEET 1.

REV.	STATUS	DATE	PURPOSE OF ISSUE	PREP.	CHKD.	APPD.	AUTH.
2	F	22.07.24	FOR APPROVAL	AJD	AJD	IES	SES
1	F	19.07.24	FOR APPROVAL	AJD	AJD	IES	SES
0	F	05.04.24	FOR APPROVAL	AJD	AJD	IES	SES

CLIENT:	ENER VERBODEN		
SERVICE:	FRIGIDE REFRIGERATION PACKAGE		
LOCATION:	FRIG		
UNIT TAG NO.:	FRIG01 A/B		
VERSION:	1.0		
Contract No.:	Pub No. EHER-MME-2024-100-001		
DRAWING TITLE:			
GENERAL ARRANGEMENT DRAWING			
DRAWING NO.	REV.	SHEET No.	SIZE
MPED06-2011-6	2	6 OF 10	D



NOTES:

1. FOR ALL APPLICABLE NOTES, PLEASE REFER TO SHEET 1.

REV.	STATUS	DATE	PURPOSE OF ISSUE	PREP.	CHKD.	APPD.	AUTH.
2	F	22.07.24	FOR APPROVAL	AJD	AJD	IES	SES
1	F	19.07.24	FOR APPROVAL	AJD	AJD	IES	SES
0	F	05.04.24	FOR APPROVAL	AJD	AJD	IES	SES

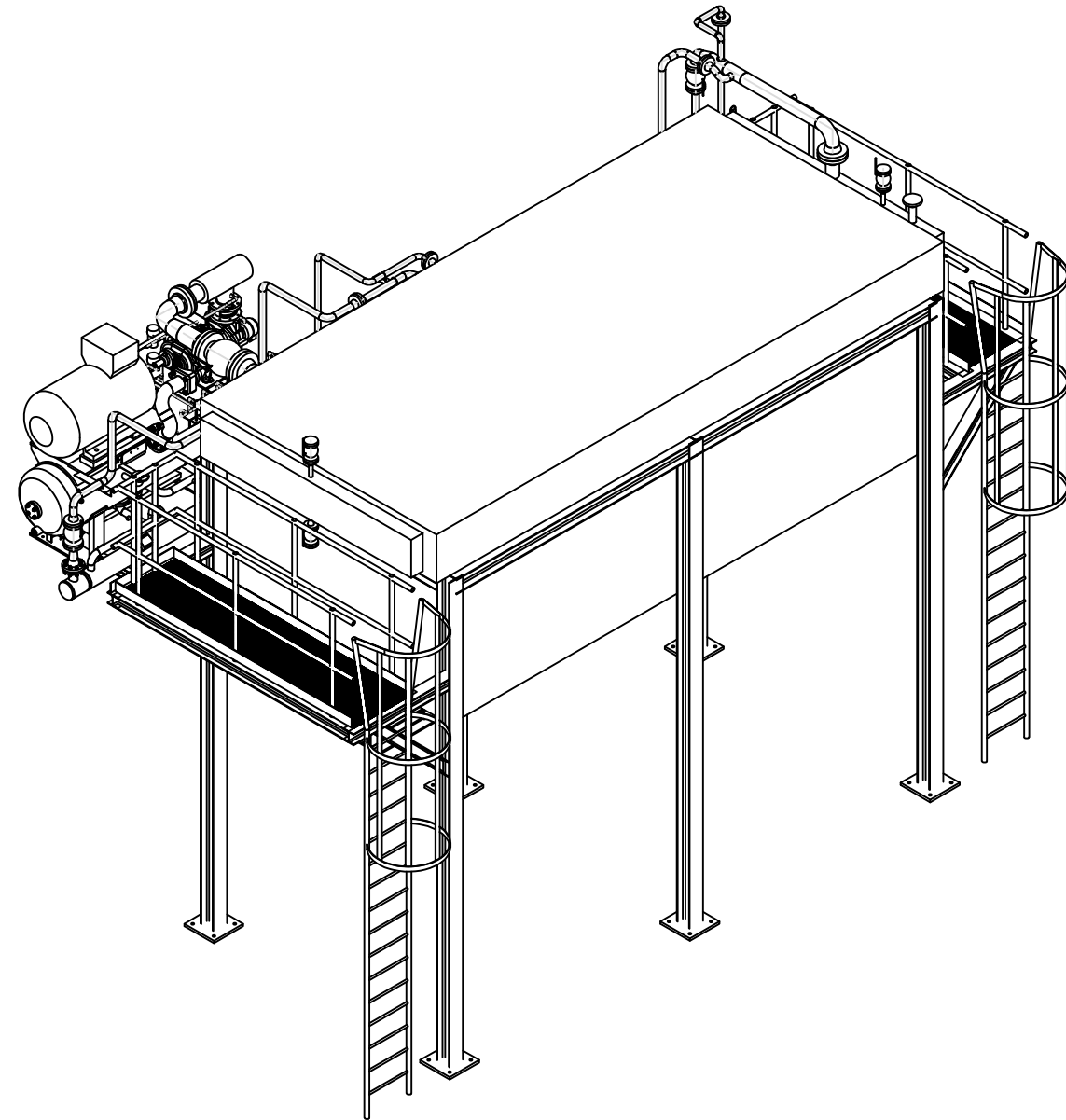
CLIENT: ENER TECHNOLOGI  
 SERVICE: PROPANE REFRIGERATION PACKAGE  
 LOCATION: IRAQ  
 UNIT TAG NO.: RU-001 AB

VENDOR LOGO

Contract No. P.O. No. ENER-MME-2024-100-001 SCALE

DRAWING TITLE:  
 GENERAL ARRANGEMENT DRAWING

DRAWING NO.	REV.	SHEET No.	SIZE
MPE006-20011-7	2	7 OF 10	D



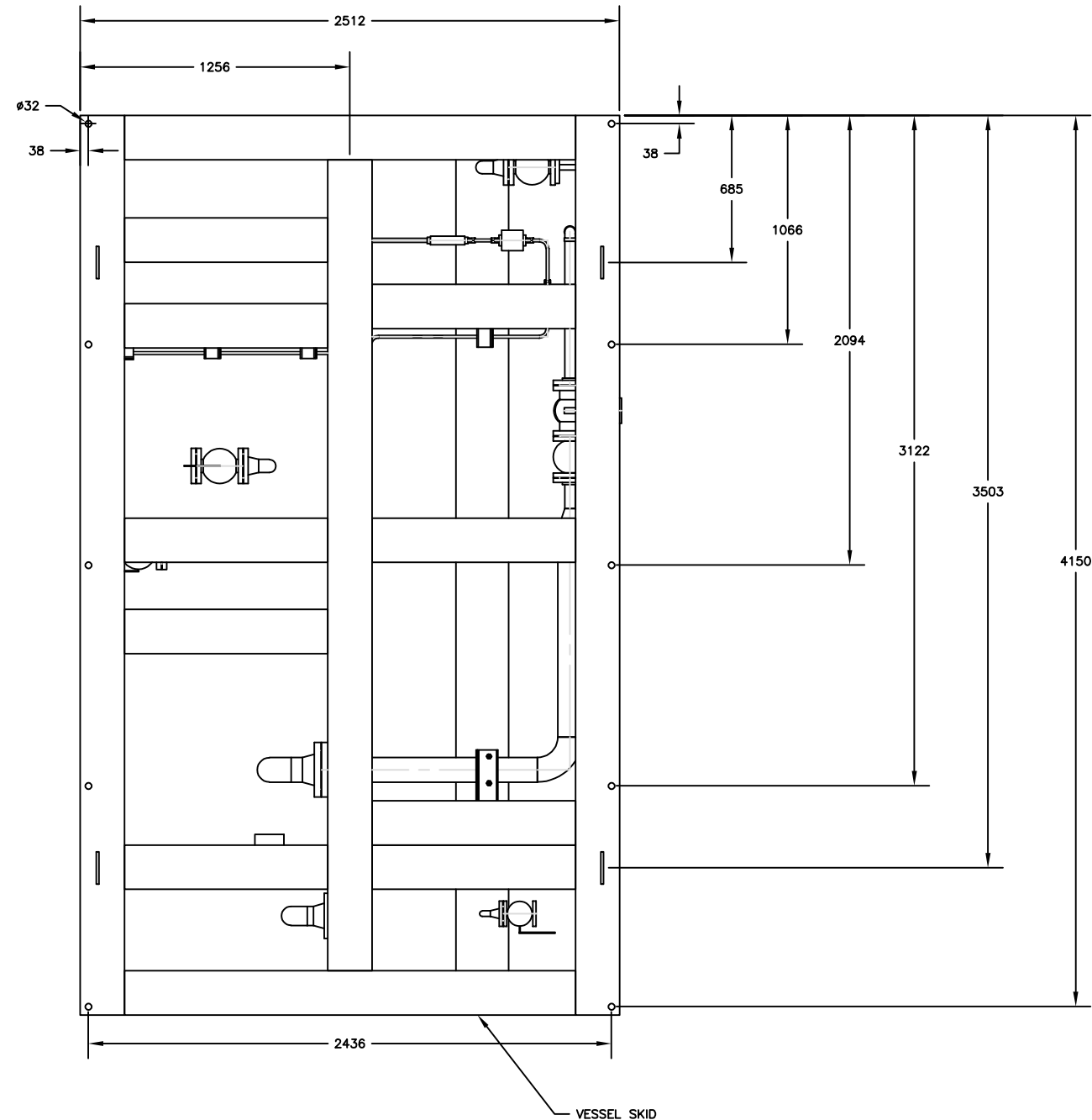
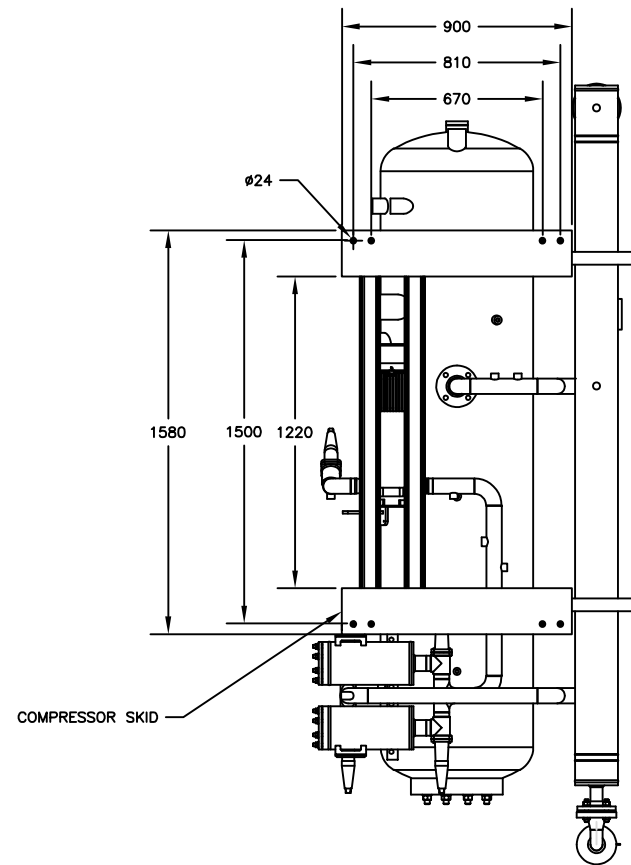
NOTES:

1. FOR ALL APPLICABLE NOTES, PLEASE REFER TO SHEET 1.

REV.	STATUS	DATE	PURPOSE OF ISSUE	PREP.	CHKD.	APPD.	AUTH.
2	F	22.07.24	FOR APPROVAL	AJD	AJD	IES	SES
1	F	19.07.24	FOR APPROVAL	AJD	AJD	IES	SES
0	F	05.04.24	FOR APPROVAL	AJD	AJD	IES	SES

CLIENT:	ENER TECHNOLOGI		
SERVICE:	PROPANE REFRIGERATION PACKAGE		
LOCATION:	IRAQ		
UNIT TAG NO.:	RU-001 AB		
VENDOR LOGO			
Contract No.	P.O. No. ENER-MME-2024-100-001		
DRAWING TITLE:			
GENERAL ARRANGEMENT DRAWING			
DRAWING NO.	REV.	SHEET No.	SIZE
MPE006-20011-8	2	8 OF 10	D



BOTTOM VIEW

NOTES:

1. FOR ALL APPLICABLE NOTES, PLEASE REFER TO SHEET 1.
2. ANCHOR BOLT & LIFTING LUG LOCATION DETAILS ARE SHOWN IN THIS SHEET.

REV.	STATUS	DATE	PURPOSE OF ISSUE	PREP.	CHKD.	APPD.	AUTH.
2	F	22.07.24	FOR APPROVAL	AJD	AJD	IES	SES
1	F	19.07.24	FOR APPROVAL	AJD	AJD	IES	SES
0	F	05.04.24	FOR APPROVAL	AJD	AJD	IES	SES

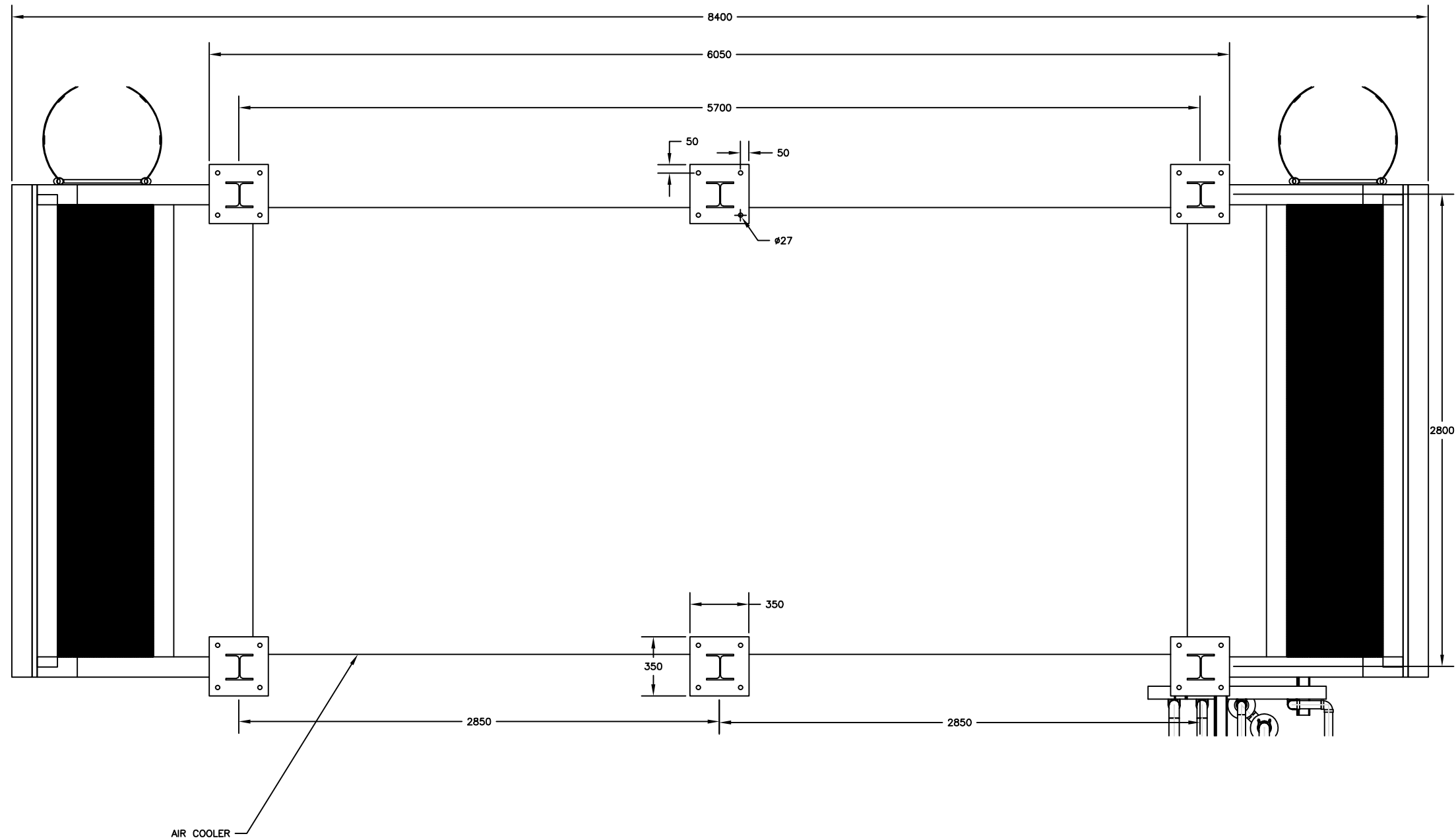
CLIENT: ENER TECHNOLOGI  
 SERVICE: PROPANE REFRIGERATION PACKAGE  
 LOCATION: IRAQ  
 UNIT TAG NO.: RU-0001 AB

VENDOR LOGO

Contract No. P.O. No. ENER-MME-2024-100-001 SCALE

DRAWING TITLE:  
 GENERAL ARRANGEMENT DRAWING

DRAWING NO.	REV.	SHEET No.	SIZE
MPE006-20011-9	2	9 OF 10	D



BOTTOM VIEW

NOTES:

1. FOR ALL APPLICABLE NOTES, PLEASE REFER TO SHEET 1.
2. ANCHOR BOLT LOCATION DETAILS ARE SHOWN IN THIS SHEET.

REV.	STATUS	DATE	PURPOSE OF ISSUE	PREP.	CHKD.	APPD.	AUTH.
2	F	22.07.24	FOR APPROVAL	AJD	AJD	IES	SES
1	F	19.07.24	FOR APPROVAL	AJD	AJD	IES	SES
0	F	05.04.24	FOR APPROVAL	AJD	AJD	IES	SES

CLIENT: ENER TECHNOLOGI  
 SERVICE: PROPANE REFRIGERATION PACKAGE  
 LOCATION: IRAQ  
 UNIT TAG NO.: RU-001 AB

VENDOR LOGO

Contract No. P.O. No. ENER-MME-2024-100-001 SCALE

DRAWING TITLE:  
 GENERAL ARRANGEMENT DRAWING

DRAWING NO.	REV.	SHEET No.	SIZE
MPE006-20011-10	2	10 OF 10	D