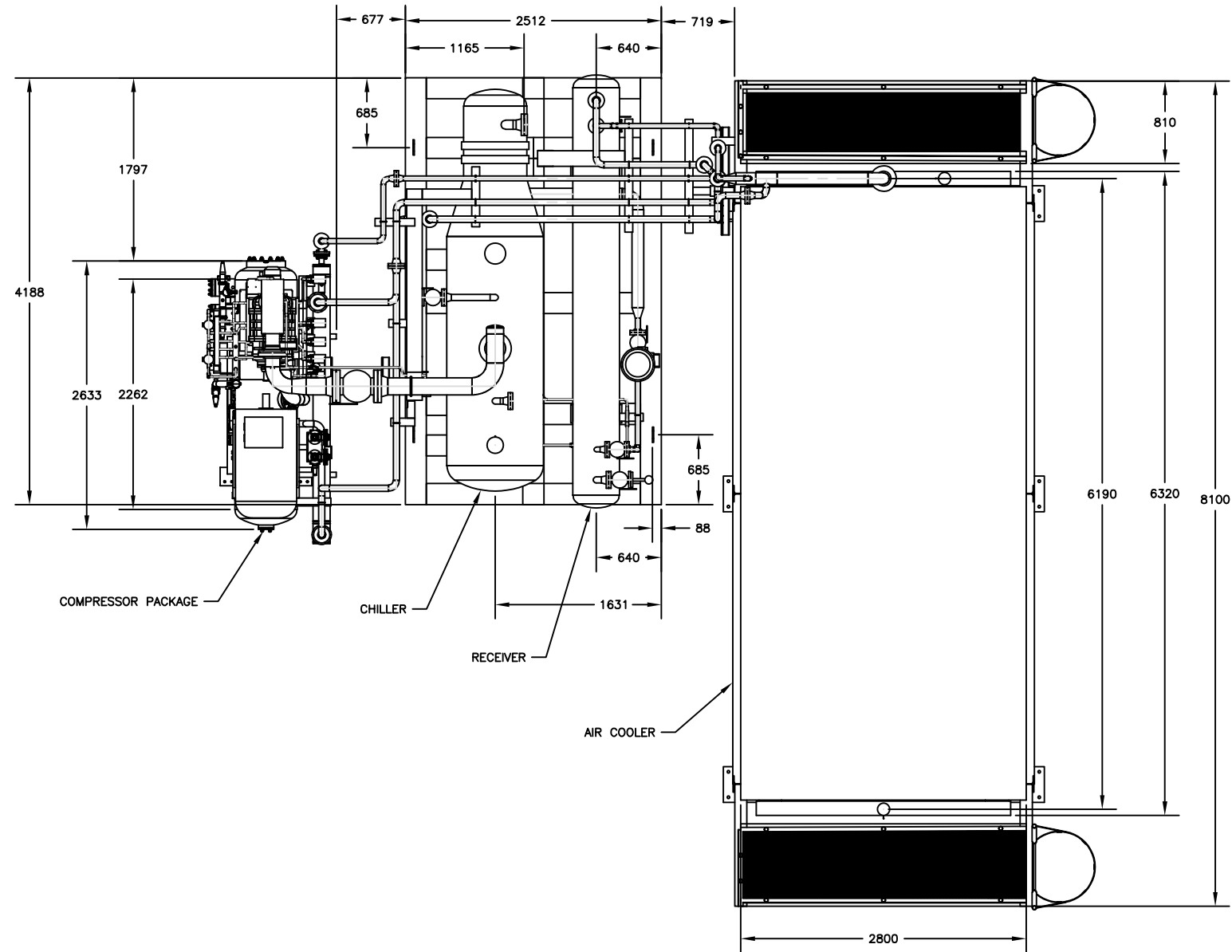


APPROXIMATE WEIGHT	
CONDENSER	7000 KG
CHILLER	3800 KG
RECEIVER	2000 KG
COMPRESSOR PACKAGE	6000 KG



- NOTES:
1. ALL DIMENSIONS ARE IN MM.
 2. FOR SKID INSTALLATION, REFER TO INSTRUCTION AND OPERATIONAL MANUAL.
 3. ANCHOR HOLES TOLERANCES ± 0.13 in (± 3.2 mm).
 4. CUSTOMER CONNECTION TOLERANCES: ± 1.00 in (± 25.4 mm).
 5. FLANGES ARE PER ANSI STD PER ASME B16.5.
 6. NON-SKID GRATING UNDER MAINTENANCE AREA IS NOT INCLUDED.
 7. PERSONAL PROTECTION, HEAT AND COLD CONSERVATION HEAT TRACING IS BY OTHER.

REV.	STATUS	DATE	PURPOSE OF ISSUE	PREP.	CHKD.	APPD.	AUTH.
1	F	19.07.24	FOR APPROVAL	AJD	AJD	IES	SES
0	F	05.04.24	FOR APPROVAL	AJD	AJD	IES	SES

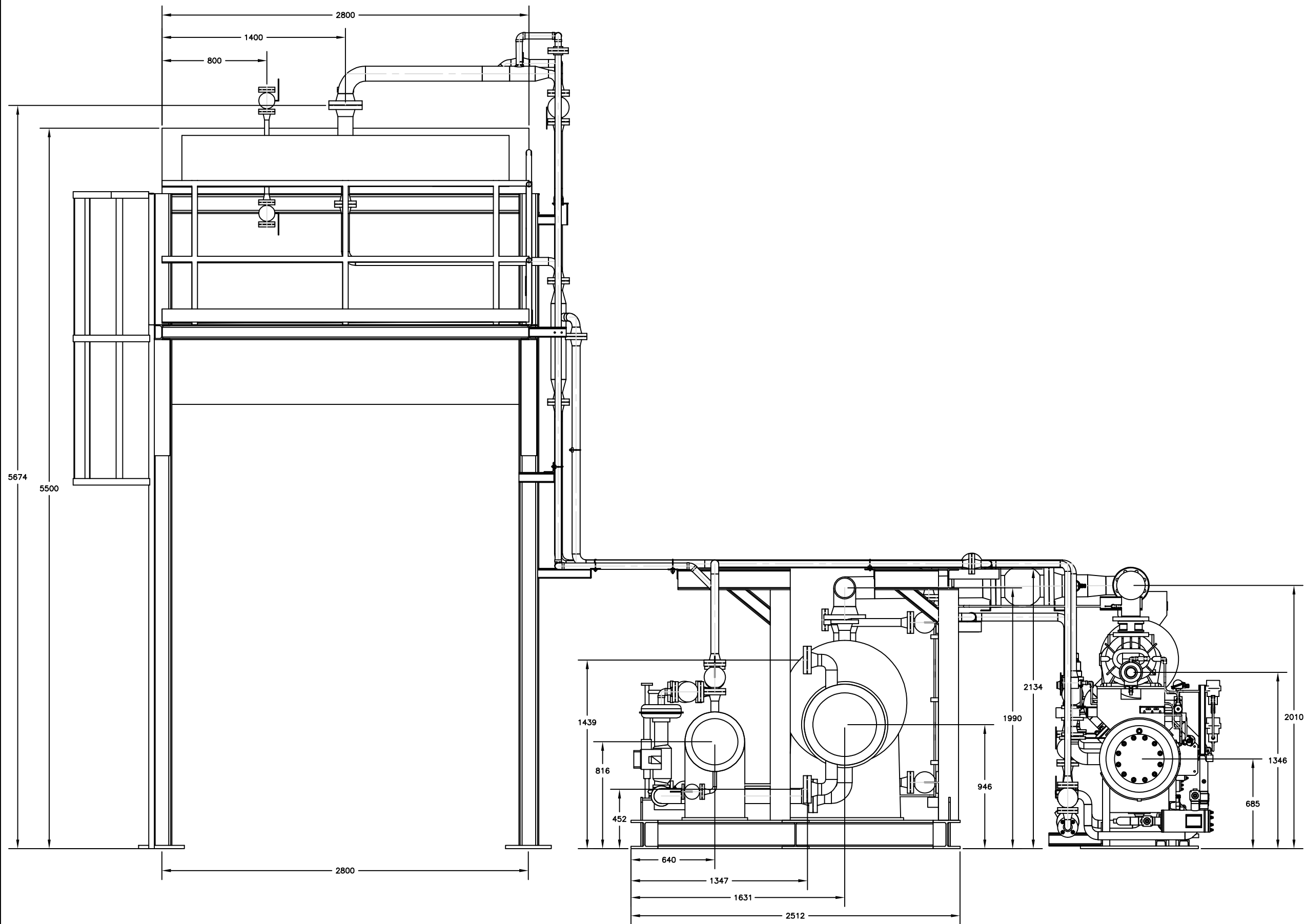
CLIENT: ENER TECHNOLOGI
SERVICE: PROPYLENE REFRIGERATION PACKAGE
LOCATION: IRAQ
UNIT TAG NO.: RU-001 AB

VENDOR LOGO

Contract No. P.O No. ENER-MME-2024-100-001 SCALE

DRAWING TITLE:
GENERAL ARRANGEMENT DRAWING

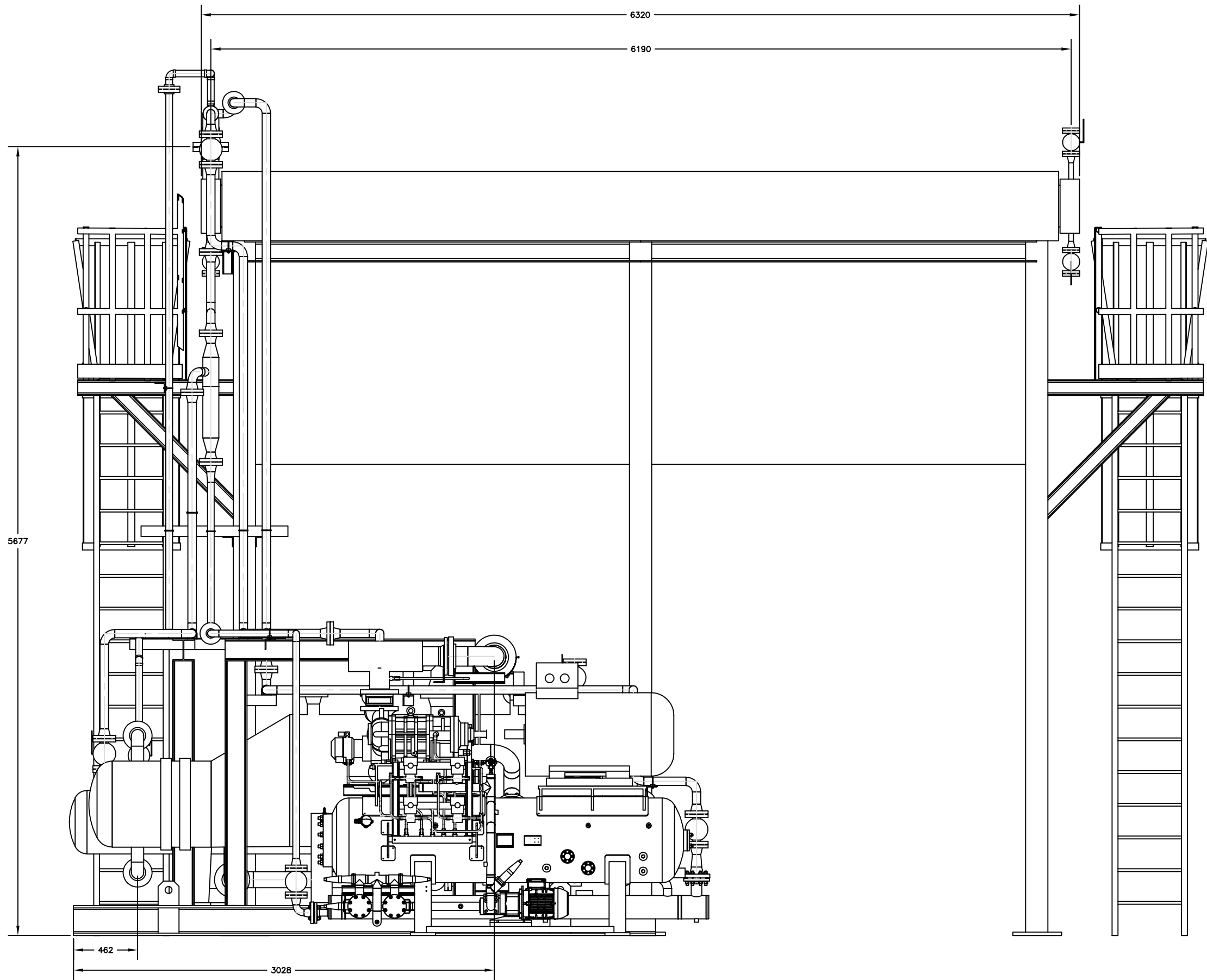
DRAWING NO.	REV.	SHEET No.	SIZE
MPE007-20011-1	0	1 OF 8	D



NOTES:
 1. FOR ALL APPLICABLE NOTES, PLEASE REFER TO SHEET 1.

REV.	STATUS	DATE	PURPOSE OF ISSUE	PREP.	CHKD.	APPD.	AUTH.
1	F	19.07.24	FOR APPROVAL	AJD	AJD	IES	SES
0	F	05.04.24	FOR APPROVAL	AJD	AJD	IES	SES

CLIENT:		ENER TECHNOLOGIA	
SERVICE:		PROPYLENE REFRIGERATION PACKAGE	
LOCATION:		IRAQ	
UNIT TAG NO.:		RU-001 AB	
VENDOR LOGO			
Contract No.	P.O. No.	ENER-MME-2024-100-001	SCALE
DRAWING TITLE: GENERAL ARRANGEMENT DRAWING			
DRAWING NO.	REV.	SHEET No.	SIZE
MPE007-20011-2	0	2 OF 8	D



NOTES:
 1. FOR ALL APPLICABLE NOTES, PLEASE REFER TO SHEET 1.

REV. STATUS	DATE	PURPOSE OF ISSUE	PREP.	CHKD.	APPD.	AUTH.
1	F 19.07.24	FOR APPROVAL	AJD	AJD	IES	SES
0	F 05.04.24	FOR APPROVAL	AJD	AJD	IES	SES

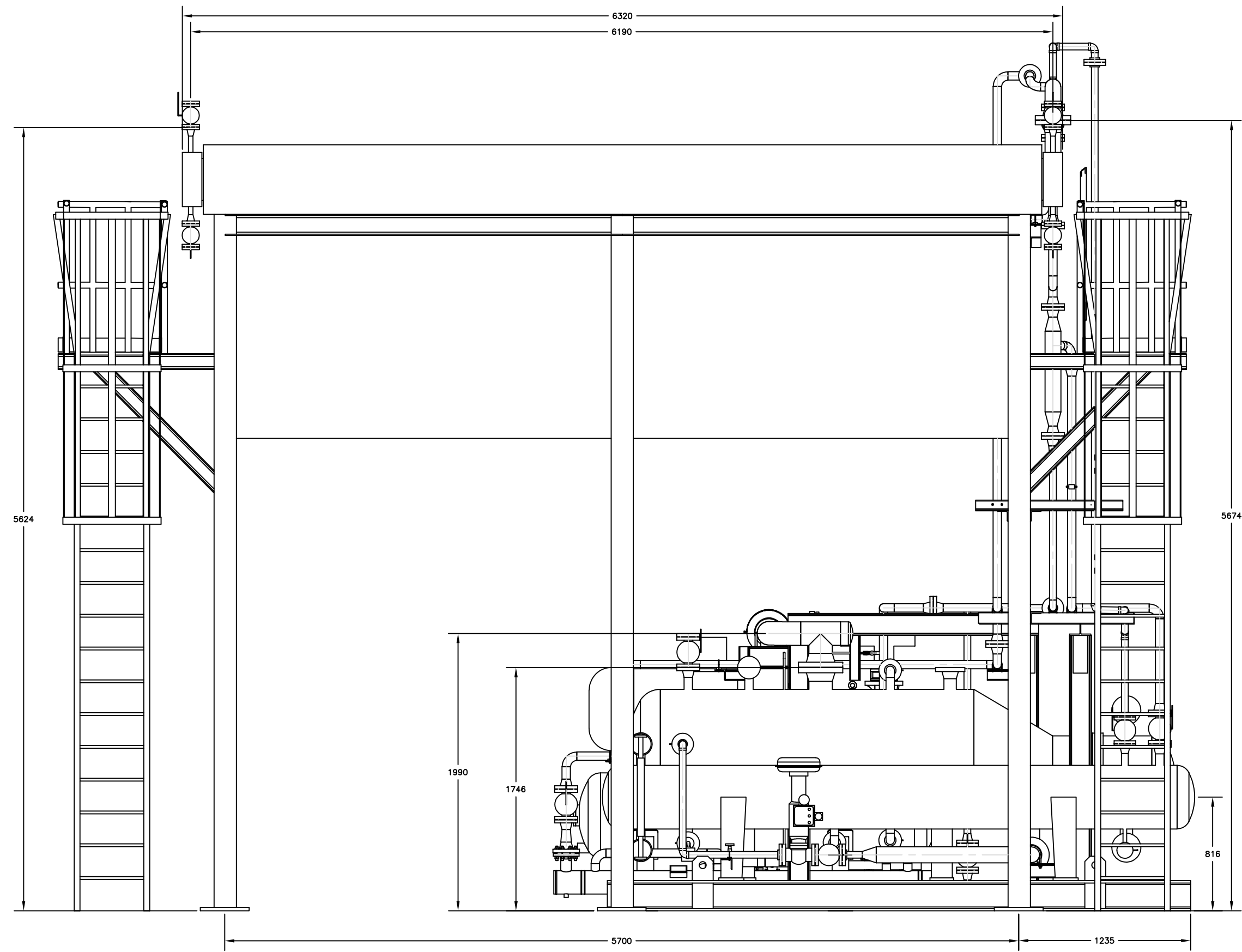
CLIENT: ENER TECHNOLOG
 SERVICE: PROPYLENE REFRIGERATION PACKAGE
 LOCATION: IRAQ
 UNIT TAG NO.: RU-001 AB

VENDOR LOGO

Contract No. P.O. No. ENER-MME-2024-100-001 SCALE

DRAWING TITLE:
 GENERAL ARRANGEMENT DRAWING

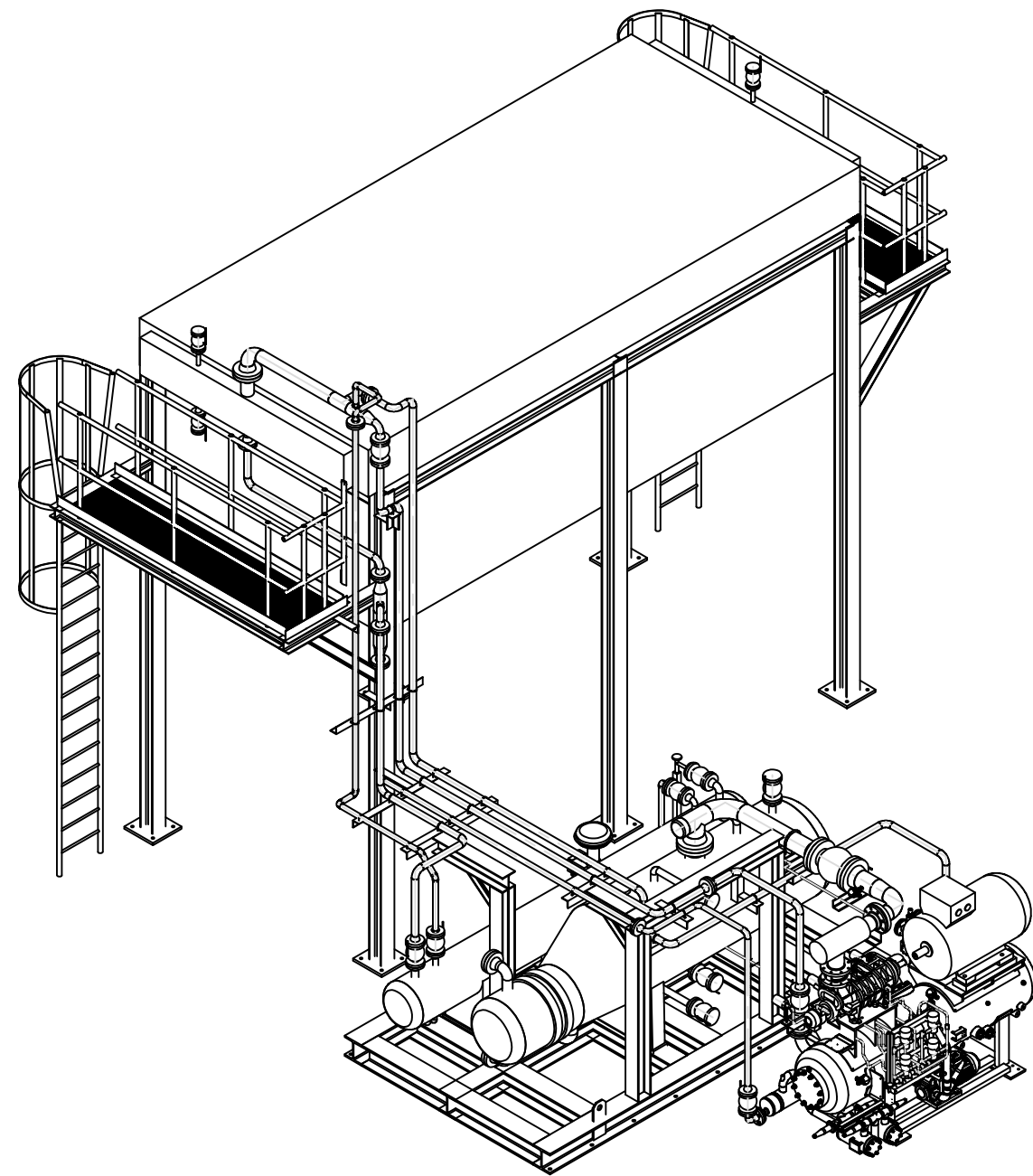
DRAWING NO.	REV.	SHEET No.	SIZE
MPE007-20011-3	0	3 OF 8	D



NOTES:
 1. FOR ALL APPLICABLE NOTES, PLEASE REFER TO SHEET 1.

1	F	19.07.24	FOR APPROVAL	AJD	AJD	IES	SES
0	F	05.04.24	FOR APPROVAL	AJD	AJD	IES	SES
REV.	STATUS	DATE	PURPOSE OF ISSUE	PREP.	CHKD.	APPD.	AUTH.
CLIENT: SERVICE: LOCATION: UNIT TAG NO.:			ENER TECHNOLOG PROPYLENE REFRIGERATION PACKAGE IRAQ RU-001 AB				
VENDOR LOGO							
Contract No.	P.O. No.	ENER-MME-2024-100-001		SCALE			
DRAWING TITLE: GENERAL ARRANGEMENT DRAWING							
DRAWING NO. MPE007-20011-4				REV.	SHEET No.	SIZE	
				0	4 OF 8	D	

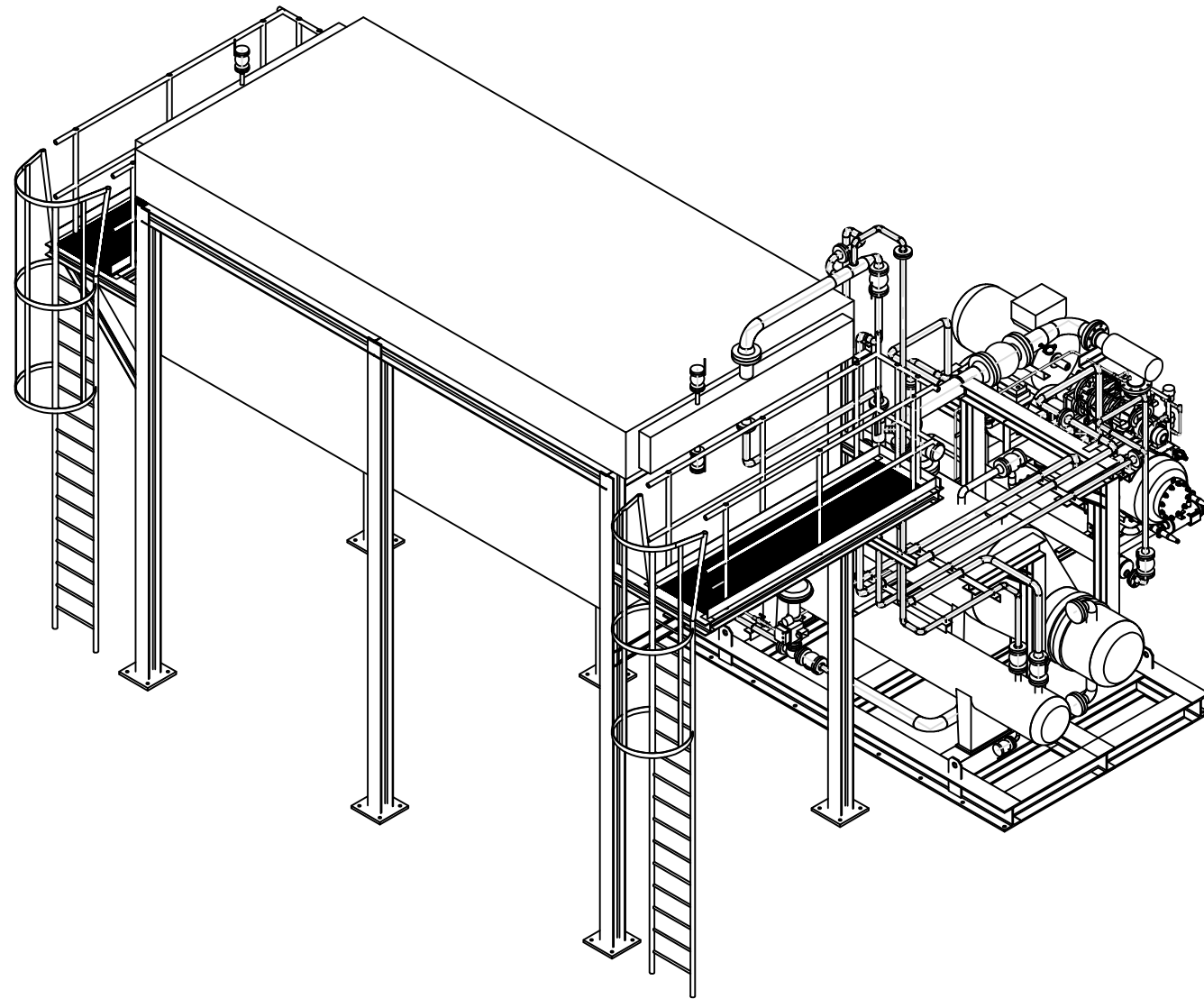
Z:\16. ENGINEERING_Chemical Group\04. Project\12. MPE007_Delta GmbH_Refrigeration Package\CAD\PLANT 3D\MPE007\Orthos\DWGs\20011-4.dwg



NOTES:

1. FOR ALL APPLICABLE NOTES, PLEASE REFER TO SHEET 1.

1	F	19.07.24	FOR APPROVAL	AJD	AJD	IES	SES
0	F	05.04.24	FOR APPROVAL	AJD	AJD	IES	SES
REV.	STATUS	DATE	PURPOSE OF ISSUE	PREP.	CHKD.	APPD.	AUTH.
CLIENT:		ENER TECHNOLOG					
SERVICE:		PROPYLENE REFRIGERATION PACKAGE					
LOCATION:		IRAQ					
UNIT TAG NO.:		RU-001 AB					
VENDOR LOGO							
Contract No.		P.O. No.		ENER-MME-2024-100-001		SCALE	
DRAWING TITLE:							
GENERAL ARRANGEMENT DRAWING							
DRAWING NO.		REV.	SHEET No.	SIZE			
MPE007-20011-5		0	5 OF 8	D			

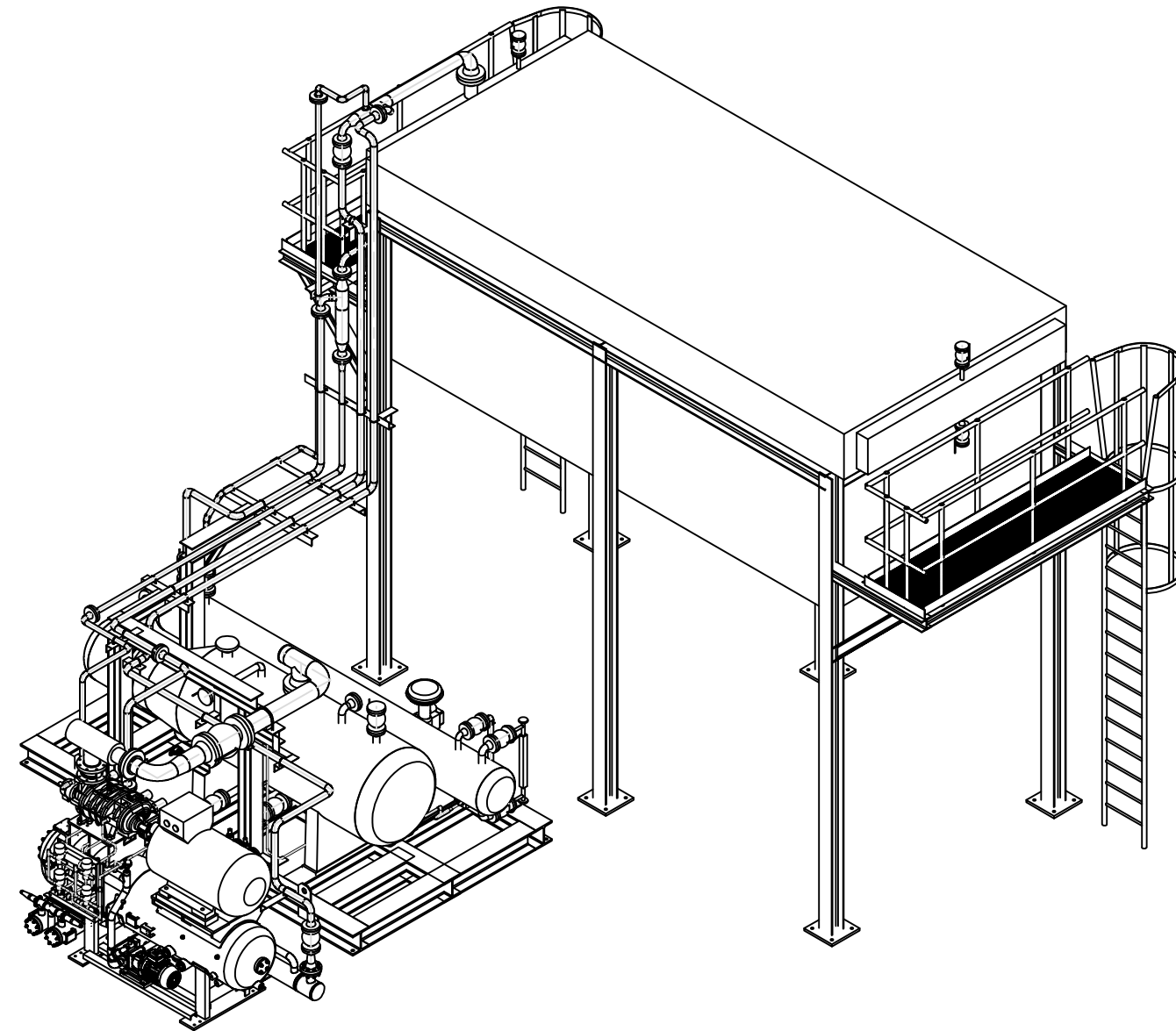


NOTES:

1. FOR ALL APPLICABLE NOTES, PLEASE REFER TO SHEET 1.

REV.	STATUS	DATE	PURPOSE OF ISSUE	PREP.	CHKD.	APPD.	AUTH.
1	F	19.07.24	FOR APPROVAL	AJD	AJD	IES	SES
0	F	05.04.24	FOR APPROVAL	AJD	AJD	IES	SES

CLIENT:	ENER TECHNOLOG		
SERVICE:	PROPYLENE REFRIGERATION PACKAGE		
LOCATION:	IRAQ		
UNIT TAG NO.:	RU-001 AB		
VENDOR LOGO			
Contract No.	P.O. No. ENER-MME-2024-100-001		
DRAWING TITLE:			
GENERAL ARRANGEMENT DRAWING			
DRAWING NO.	REV.	SHEET No.	SIZE
MPE006-20011-6	0	6 OF 8	D

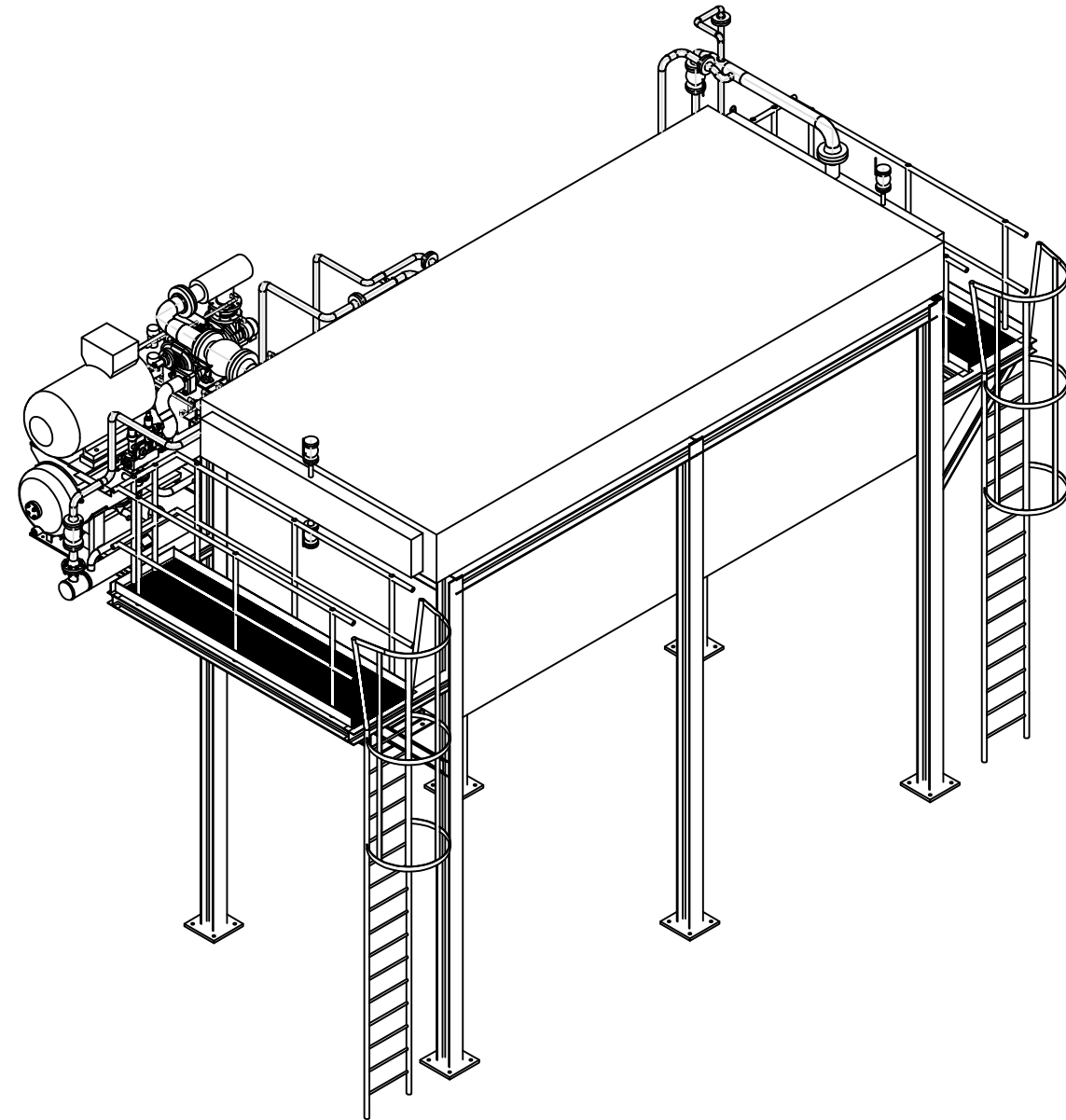


NOTES:

1. FOR ALL APPLICABLE NOTES, PLEASE REFER TO SHEET 1.

REV. STATUS	DATE	PURPOSE OF ISSUE	PREP.	CHKD.	APPD.	AUTH.
1	F 19.07.24	FOR APPROVAL	AJD	AJD	IES	SES
0	F 05.04.24	FOR APPROVAL	AJD	AJD	IES	SES

CLIENT:	ENER TECHNOLOG		
SERVICE:	PROPYLENE REFRIGERATION PACKAGE		
LOCATION:	IRAQ		
UNIT TAG NO.:	RU-001 AB		
VENDOR LOGO			
Contract No.	P.O No. ENER-MME-2024-100-001		
SCALE			
DRAWING TITLE:			
GENERAL ARRANGEMENT DRAWING			
DRAWING NO.	REV.	SHEET No.	SIZE
MPE006-20011-7	0	7 OF 8	D



NOTES:

1. FOR ALL APPLICABLE NOTES, PLEASE REFER TO SHEET 1.

REV.	STATUS	DATE	PURPOSE OF ISSUE	PREP.	CHKD.	APPD.	AUTH.
1	F	19.07.24	FOR APPROVAL	AJD	AJD	IES	SES
0	F	05.04.24	FOR APPROVAL	AJD	AJD	IES	SES

CLIENT:	ENER TECHNOLOG		
SERVICE:	PROPYLENE REFRIGERATION PACKAGE		
LOCATION:	IRAQ		
UNIT TAG NO.:	RU-001 AB		
VENDOR LOGO			
Contract No.	P.O. No. ENER-MME-2024-100-001		
DRAWING TITLE:			
GENERAL ARRANGEMENT DRAWING			
DRAWING NO.	REV.	SHEET No.	SIZE
MPE006-20011-8	0	8 OF 8	D